



EDWARDS SYSTEMS TECHNOLOGY

Remote Telephones and Wallboxes - Non-Break Glass

6702 Series

Features

- RED OR BLACK HANDSET
- RUGGED ABS PLASTIC HANDSET
- 60 INCH (L500 MM) COILED CORD SET
- SUPERVISED WIRING
- STAINLESS-STEEL OR RED FACEPLATE
- FLUSH OR SURFACE MOUNT
- METAL INSERT
- LOCKING DOOR
- CONCEALED HINGES
- BILINGUAL FRENCH/ENGLISH MARKINGS

Description

EST 6702 Series Remote Telephone Handsets are permanently installed at strategic locations throughout a building to allow fire fighters easy communication with the fire command center. They can be used by themselves or in addition to portable fire fighter handsets. Refer to literature sheet number 85001-0171 for details on EST 6700 series Portable Telephone Handsets.

Permanently installed fire fighter telephone stations provide a handset behind a locked door. The door on these models has a metal insert feature which only allows access by authorized persons using the key.

Lifting the remote handset from its cradle, at the command center, causes a "call-in" buzzer to sound, lights a "call-in" lamp, and lights an individual zone lamp in zoned systems. Refer to applicable control panel literature for specific operation details.

These units are available in either surface or flush mounting. The front is clearly marked "FIRE FIGHTERS TELEPHONE" in bilingual French/English languages using large white lettering for easy identification.

TELEPHONE HANDSETS - Two models are available. Catalogue number 6702-0210 is Black. Catalogue number 6702-0211 is Red. Both models feature a 60 inch (1500 mm) coiled cord complete with wiring terminals. The handset is made from durable ABS plastic. The assembly also includes the cradle and mounting screws for installing into the wallbox.

WALLBOX - The EST 6702-0010 Wallbox is suitable for flush or surface mounting. The wallbox is factory finished with "Fire Red" baking enamel.



FRONT PLATES - There are four different metal front plates available. All feature concealed hinges which offer added vandal-resistance and an attractive installed appearance. They all have a locking door and are shipped with two keys.

The 6702-0040 with a "Fire Red" finish and the 6702-0050 with a stainless-steel finish are both for installing to flush mounted wallboxes. The 6702-0080 with the "Fire-Red" finish and the 6702-0090 with the stainless-steel finish are both installing onto surface mounted wallboxes.

Ordering Information

Catalogue Number	Description	Ship Wt. (kg)
Handsets		
6702-0210	Telephone Handset Assembly - BLACK	0.2
6702-0211	Telephone Handset Assembly - RED	0.2
Wallbox		
6702-0010	Wallbox - Flush or Surface Mount, Red Finish	0.7
Front Plates		
6702-0040	Frontplate - Flush Mount, Red Finish c/w 2 Keys	0.6
6702-0050	Frontplate - Flush Mount, Stainless Steel Finish c/w 2 Keys	0.7
6702-0080	Frontplate- Surface Mount, Red Finish c/w 2 Keys	0.5
6702-0090	Frontplate- Surface Mount, Stainless Steel Finish c/w 2 keys	0.6

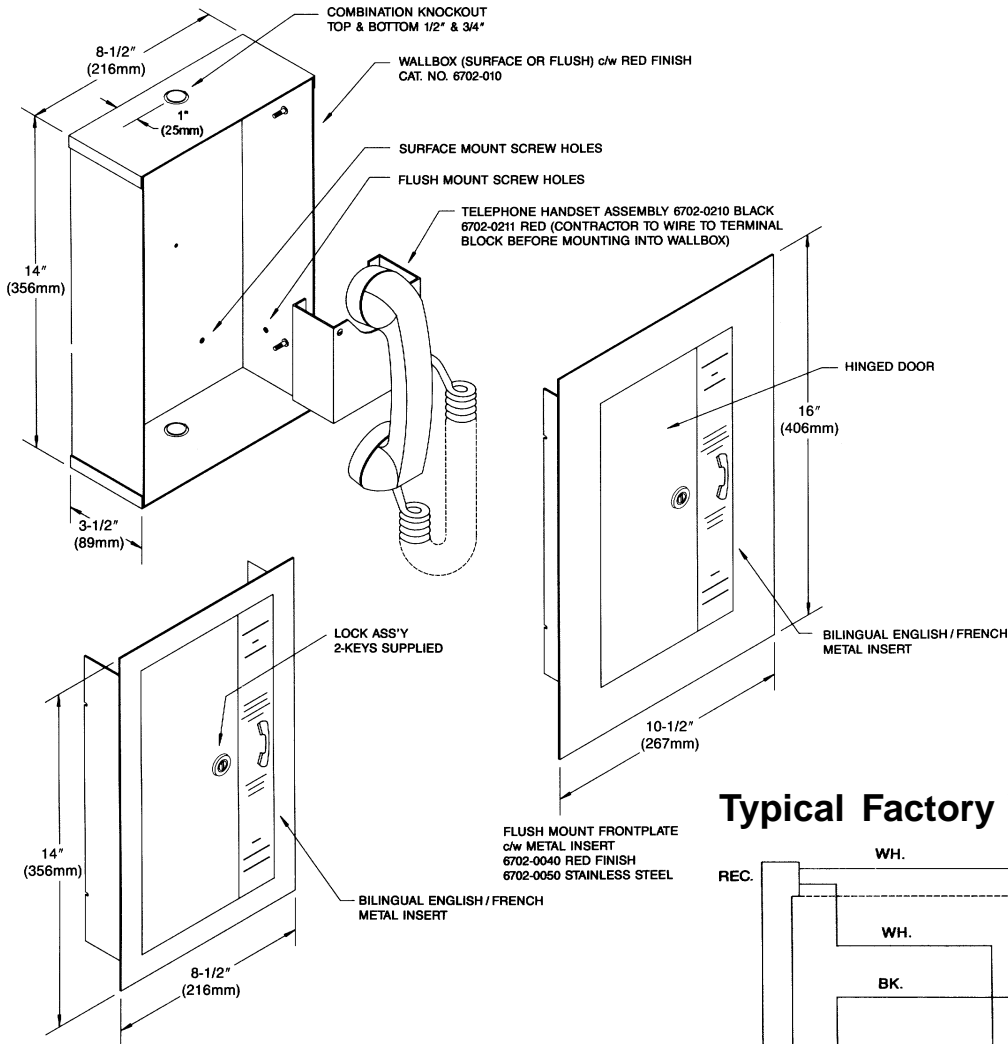


EDWARDS SYSTEMS TECHNOLOGY

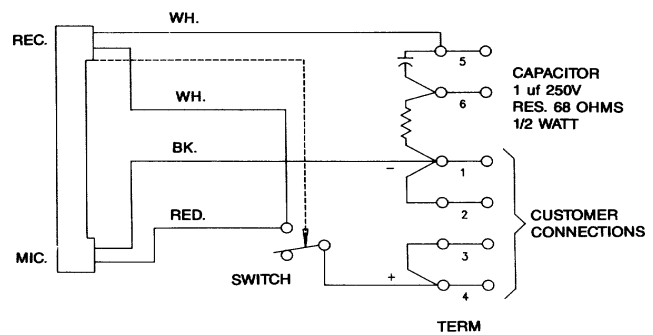
SARASOTA, FLA. 941-739-4200 Fax: 941-727-0740
 CHESHIRE, CT. 203-699-3000 Fax: 203-699-3108
 OWEN SOUND, CANADA 519-376-2430 Fax: 519-376-7258
 INTERNATIONAL: CANADA 905-270-1711 Fax: 905-270-9553
 PITTSFIELD, ME. 207-487-3104

Installation

EST recommends that these fire alarm communication devices always be installed in accordance with the latest recognized editions of national and local fire alarm codes.



Typical Factory Wiring



Specifications - Telephone Handsets

Catalogue Number	6702-0210	6702-0211
Colour/ Material	Black ABS Plastic	Red ABS Plastic
Cord	60 inch (1500 mm) - Coiled	
Wiring	Terminal Connections	
Approvals	ULC	

Specifications - Front Plates

Catalogue Number	6702-0040	6702-0050	6702-0080	6702-0090
Finish	Fire Red Enamel	Stainless-Steel	Fire Red Enamel	Stainless-Steel
Mounting	Flush to EST 6702-0010 Wallbox		Surface to EST 6702-0010 Wallbox	
Markings	Bilingual French/English - Silkscreened White			



EDWARDS SYSTEMS TECHNOLOGY
 SARASOTA, FLA. 941-739-4200 Fax: 941-727-0740
 CHESHIRE, CT. 203-699-3000 Fax: 203-699-3108
 OWEN SOUND, CANADA 519-376-2430 Fax: 519-376-7258
 INTERNATIONAL: CANADA 905-270-1711 Fax: 905-270-9553
 PITTSFIELD, ME. 207-487-3104

It is our intention to keep the product information current and accurate. We can not cover specific applications or anticipate all requirements. All specifications are subject to change without notice. For more information or questions relative to this Specification Sheet, contact EST.

85001-0177
 2 of 2 Iss. 1

© 1996 EST

Printed in Canada