

Instructions

FlexVu® Explosion-Proof

Universal Display Unit

Model UD10



Table of Contents

APPLICATION	1	Menu Structure	G-4
DESCRIPTION	1	APPENDIX H — UD10 WITH PIR9400 POINTWATCH	H-1
HART Communication	3	Wiring	H-1
Magnetic Switches	3	Installation Notes	H-2
Gas Level Indication	4	Orientation	H-2
Special States	4	Changing Operating Modes	H-3
Relays	5	Calibration	H-3
4-20 mA Output Modes	5	Menu Structure	H-4
Modbus	5	APPENDIX I — UD10 WITH MODEL PIRECL	I-1
Device Enclosure	5	Wiring	I-1
Device Display	5	Orientation	I-2
Logging	6	Calibration	I-3
IMPORTANT SAFETY NOTES	6	Menu Structure	I-4
INSTALLATION	7	APPENDIX J — UD10 WITH OPEN PATH MODEL OPECL	J-1
Identification of Vapor(s) to be Detected	7	Wiring	J-1
Identification of Detector Mounting Locations	7	Orientation	J-3
WIRING	8	Calibration	J-3
Power Supply Requirements	8	OPECL Transmitter Lamp Fault Condition	J-4
Wiring Cable Requirements	8	Menu Structure	J-4
Shield Connections	8	APPENDIX K — UD10 WITH NTMOS H2S SENSOR	K-1
Jumper Setting for 4-20 mA Loop	8	Wiring	K-1
Wiring Procedure	9	Installation Notes	K-1
STARTUP	12	Orientation	K-4
TROUBLESHOOTING	16	Calibration	K-4
SPECIFICATIONS	19	Menu Structure	K-5
DEVICE REPAIR AND RETURN	22	APPENDIX L — UD10 WITH C706X TOXIC GAS SENSOR	L-1
ORDERING INFORMATION	22	Wiring	L-1
APPENDIX A — FM APPROVAL DESCRIPTION	A-1	Installation	L-3
APPENDIX B — CSA CERTIFICATION DESCRIPTION	B-1	Calibration	L-4
APPENDIX C — ATEX APPROVAL DESCRIPTION	C-1	Menu Structure	L-4
APPENDIX D — IECEx APPROVAL DESCRIPTION	D-1	APPENDIX M — UD10 WITH MODEL CGS SENSOR	M-1
APPENDIX E — ADDITIONAL APPROVALS	E-1	Wiring	M-1
APPENDIX F — UD10 WITH HANDHELD HART COMMUNICATOR	F-1	Important Notes	M-1
Wiring	F-1	Installation	M-3
Menu Structure	F-1	Calibration	M-3
APPENDIX G — UD10 WITH GT3000 TOXIC GAS DETECTOR	G-1	K-Factor	M-4
Wiring	G-1	Menu Structure	M-4
Orientation	G-2	APPENDIX N — UD10 WITH MODEL 505/CGS	N-1
Live Maintenance	G-2	Wiring	N-1
Calibration	G-3	Installation	N-2
		Orientation	N-2
		Calibration	N-3
		Menu Structure	N-4
		APPENDIX O — UD10 WITH GENERIC 4-20 MA SENSOR	O-1
		Operation	O-1
		Menu Structure	O-1

Table of Contents

APPENDIX P— UD10 WITH ATX10/AC100 GAS DETECTOR P-1

Wiring	P-1
Installation	P-3
Menu Structure.	P-3

APPENDIX Q — UD10 WITH MODEL PIRDUCT Q-1

Wiring	Q-1
Installation Notes.	Q-2
Orientation	Q-2
Changing Operation Notes	Q-3
Calibration.	Q-4
Menu Structure	Q-4

APPENDIX R — UD10 WITH MODEL PIRECL CO₂

DETECTOR	R-1
Wiring.	R-1
Orientation	R-2
Calibration	R-3
Menu Structure.	R-4

APPENDIX S — UD10 WITH LS2000 LINE OF SIGHT GAS

DETECTOR	S-1
Wiring.	S-1
Installation	S-3
Calibration	S-3
Menu Structure.	S-4

**FlexVu® Explosion-Proof
Universal Display Unit
Model UD10****IMPORTANT**

Be sure to read and understand the entire instruction manual before installing or operating the gas detection system. This product can be used with a variety of Det-Tronics gas detectors to provide early warning of the presence of a toxic or explosive gas mixture. Proper device installation, operation, and maintenance is required to ensure safe and effective operation. If this equipment is used in a manner not specified in this manual, safety protection may be impaired.

APPLICATION

The FlexVu® Model UD10 is recommended for applications that require a gas detector with digital readout of detected gas levels as well as analog 4-20 mA output with HART, relay contacts, and Modbus RS485. The UD10 Universal Display Unit is designed for use with Det-Tronics gas detectors listed in Table 1.

The display unit is designed and approved as a “stand alone” device and performs all the functions of a gas controller.

When furnished with the CGS interface board, the device can be used only with a CGS sensor for detection of combustible gas. The UD10/CGS combination is certified as a “Gas Detector.”

Gas concentration and unit of measurement are displayed on a digital display. The display unit provides a linear isolated/non-isolated 4-20 mA DC output signal (with HART) that corresponds to the detected gas concentration.

All electronics are enclosed in an explosion-proof aluminum or stainless steel housing. The display unit is used with a single detector that may be either coupled directly to the UD10, or remotely located using a sensor termination box.

The UD10 features non-intrusive calibration. A magnet is used to perform calibration as well as to navigate the UD10's internal menu.

**DESCRIPTION**

The UD10 Universal Display can be used with various 4-20 mA gas detection devices, with or without HART. The unit provides display, output, and control capabilities for the gas detector.

The UD10 utilizes the following I/O:

- Signal Inputs: 4-20 mA loop from the sensing device
- User Inputs: Magnetic switches (4) on the display panel
HART communication
- Signal Outputs: 4-20 mA output loop with HART
Modbus RS485
Three alarm relays and one fault relay
- Visible Outputs: Backlit LCD display
HART slave interface via HART Communicator

Table 1—Range and Default Values for Alarms and Calibration Gas Concentration

UD10 ALARM DATA					CALIBRATION
Gas Detector		High Alarm Value	Low Alarm Value	Aux alarm Value	Cal Gas
GT3000-- Hydrogen Sulfide	Range	10-90%	5-50%	5-90%	30-90%
	Default	40%	10%	40%	50%
GT3000--Ammonia	Range	10-90%	5-50%	5-90%	30-90%
	Default	40%	10%	40%	50%
GT3000--Chlorine	Range	10-90%	5-50%	5-90%	30-90%
	Default	40%	10%	40%	50%
GT3000--Hydrogen	Range	10-60%	5-50%	5-90%	30-90%
	Default	40%	10%	40%	50%
GT3000--Oxygen	Range	5-20.5% v/v	5-20.5% v/v	5-20.5% v/v	20.9% v/v
	Default	18% v/v	18% v/v	18% v/v	20.9% v/v
GT3000--Carbon Monoxide	Range	10-90%	5-50%	5-90%	30-90%
	Default	40%	10%	40%	50%
GT3000--Sulfur Dioxide	Range	10-90%	5-50%	5-90%	30-90%
	Default	40%	10%	40%	50%
GT3000--Nitrogen Dioxide	Range	10-90%	5-50%	5-90%	30-90%
	Default	40%	10%	40%	50%
PIR9400	Range	10-60%	5-50%	5-90%	50%
	Default	40%	10%	40%	50%
PIRDUCT	Range	10-60%	5-50%	5-90%	50%
	Default	40%	10%	40%	50%
PIRECL	Range	10-60%	5-50%	5-90%	30-90%
	Default	40%	10%	40%	50%
PIRECL - CO ₂	Range	10-60%	5-50%	5-90%	30-90%
	Default	40%	10%	40%	50%
OPECL	Range	1-3 LFL-meters	0.25-3 LFL-meters	NA	NA
	Default	2 LFL-meters	1 LFL-meter	NA	NA
C7064E*	Range	10-90%	5-50%	5-90%	30-90%
	Default	40%	10%	40%	50%
CGS Combustible	Range	10-60%	5-50%	5-90%	50%
	Default	40%	10%	40%	50%
Model 505/CGS Combustible	Range	10-60%	5-50%	5-90%	N/A
	Default	40%	10%	40%	N/A
NTMOS--Hydrogen Sulfide	Range	10-90%	5-50%	5-90%	50%
	Default	40%	10%	40%	50%
Generic Detector	Range	10-90%	5-50%	5-90%	N/A
	Default	40%	10%	40%	50%
LS2000	Range	0.5-4.5 LFL-meters	0.5-4.5 LFL-meters	0.5-4.5 LFL-meters	1.5-4.5 LFL-meters
	Default	3 LFL-meters	1 LFL-meter	3 LFL-meters	2.5 LFL-meters

Notes: All values are a **percentage of full scale** with the exception of Oxygen, which is the actual percent of Oxygen, and models OPECL and LS2000, which are the value in LFL-meters.

Low alarm must be less than or equal to the high alarm.

Changing the Measurement Range will reset all alarm and Cal Gas values to the default settings for the selected range.

Alarm relays are selectable for either normally energized or normally de-energized coils, with selectable latching or non-latching contacts. Fault relay is normally energized (with no faults).

When the auxiliary relay is set for latching and the gas level goes above the auxiliary alarm threshold, the 4-20 mA output will latch to the highest gas level detected until it is reset. When CGS mode is selected, the default setting for the auxiliary relay is a threshold of 90% full scale, with latching output.

*Does not support C7064C hydrogen sulfide or C7065E oxygen, but includes C7064E hydrogen sulfide, C7067E chlorine, C7066E carbon monoxide, and C7068E sulfur dioxide.

HART COMMUNICATION

A HART interface provides device status information and field programming capability.

MAGNETIC SWITCHES

Four internal magnetic switches provide a non-intrusive user interface that allows navigation through the menu and adjustment of configuration parameters in the field without the use of a HART handheld device. See Figure 1 for switch locations.

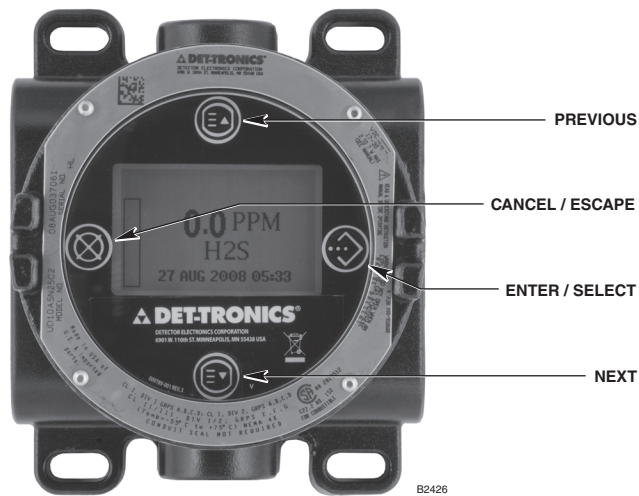






Figure 1—Faceplate of UD10

To actuate a magnetic switch, lightly touch the magnet to the viewing window of the UD10 directly over the switch icon on the faceplate.

CAUTION

Handle magnets with care! Personnel wearing pacemakers/defibrillators should not handle magnets. Modern magnet materials are extremely strong magnetically and somewhat weak mechanically. Injury is possible to personnel, and magnets themselves can easily get damaged if allowed to snap towards each other, or if nearby metal objects are allowed to be attracted to the magnets.

These switches are used for device configuration, checking status and event logs, and performing calibration. The switches are labeled as follows:

-  CANCEL / ESCAPE
-  ENTER / SELECT / MENU ACCESS
-  PREVIOUS or if on Main Screen:
Fault Shortcut
-  NEXT

NOTE

Det-Tronics offers two magnet options for activating internal magnetic switches. While the two magnets can usually be used interchangeably, the best results will be achieved if they are used as follows: The Magnetic Tool (p/n 009700-001) is the stronger magnet and is recommended for activating the switches on the UD10 viewing window. The Calibration Magnet (p/n 102740-002) is recommended for applications that involve initiating calibration or resetting the detector by touching the side of a metal junction box or detector housing (PIRECL, OPECL, etc). Throughout this manual, the term “magnet” can refer to either device.

GAS LEVEL INDICATION

The UD10 display will show a plus sign “+” to the right of the indicated value (i.e., 100+%LFL, 1000+PPM), to indicate an over-range. During an under-range condition, the display continues to show 0%LFL or 0PPM. Actual sensor signal / gas level can be examined using display to check the device (sensor) “PROCESS VARS” > ANALOG INPUT XX.XX mA to check an actual device output. Refer to the appropriate appendix for the attached sensor type.

SPECIAL STATES

Special states other than warm-up, normal operation, and fault require user action for activation. These include calibration, configuration, and parameter indication / verification. See Table 2.

Table 2—Special States

STATE	UD10 Analog Output		Visual Display	Relays	
	Standard Mode	Replicate Mode		Fault	Alarm(s)
Warm up	3.5mA	Same as sensor	“WARM UP”	Off	Reference Table 1 Alarm Data
Calibration	3.8mA		“CALIBRATION” initially, then each calibration step	Off	
Fault	≤3.6		FAULT	ON	
Alarm(s)	4-20mA		LOW, AUX, HIGH ALARM	Off	

Access To Menus

To access the menus, use the magnet to activate the ENTER/SELECT button. This will display the Main Menu.

The actual menu structure varies depending upon the device that is connected to the UD10. Menus for the various devices can be found in the corresponding appendix in this manual.

Some areas of the menu contain additional information, which is indicated by the presence of an arrow on that particular line. By placing the magnet to the glass over the ENTER/SELECT button, the next screen with the additional information will be shown.

The UD10 automatically returns to the main screen after 10 minutes if no activity occurs.

Quick Access/Shortcut: Fault Menu

To access the fault menu quickly, when a fault is present, touch the magnet to the glass by the PREVIOUS button.

RELAYS

The display unit has 4 output relays — high alarm, low alarm, auxiliary alarm, and fault. The relays have form C (SPDT) contacts. Low, auxiliary, and high alarm relay contacts are selectable for latching or non-latching operation, as well as normally energized or normally de-energized (default) coils. During normal operation, the fault relay is energized.

IMPORTANT

Direct connection of 120/240 VAC to the relay terminals inside the UD10 enclosure is not allowed, since switching relay contacts can induce electrical noise into the electronic circuitry, possibly resulting in a false alarm or other system malfunction. If the application requires that AC powered equipment be controlled by the transmitter, the use of externally located relays is recommended.

External relays, solenoids, motors, or other devices that can cause inductive transients should be transient suppressed. Place a diode across the coil for DC devices. See Figure 2.

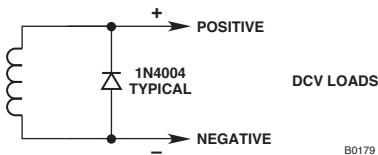


Figure 2—Transient Suppression for Inductive Loads

4-20 MA OUTPUT MODES

The UD10 offers two operating modes for its 4-20 mA output circuit.

NOTE

A minimum output of 1 mA is required for proper HART communication.

In the **Standard (default) Mode**, the linear 4-20 mA output corresponds to 0-100% full scale gas detected at the sensor, with 3.8 mA indicating calibrate mode, and 3.6 mA or lower indicating a fault condition. This mode ensures that the current level is always high enough to support HART communication and must be selected when using HART communication for fault diagnostics.

In **Replicate Mode**, the output of the UD10 matches the output of the connected detector (except for loop test/trim, response test, calibration, or if the UD10 has an internal fault). This mode can be used with

detectors such as PIR9400 or PIRECL where multiple current levels below 4 mA are used for fault diagnostic purposes.

UD10 with Model PIRECL

PIRECL supports two fault modes: PIR9400 and Eclipse mode. PIR9400 fault mode uses fault codes below 1 mA, while Eclipse mode uses no levels below 1 mA. In the Standard (default) mode, the UD10 programs the PIRECL for Eclipse fault mode to ensure proper HART communication in the event of a fault. In the Replicate mode, the UD10 programs the PIRECL for PIR9400 fault mode.

MODBUS COMPATIBILITY

The UD10 supports RS485 Modbus RTU communication. See Addendum number 95-8639 for details.

DEVICE ENCLOSURE

The UD10 housing is a 5 port aluminum or stainless steel explosion-proof junction box with a clear viewing window.

DEVICE DISPLAY

The UD10 is provided with a 160 x 100 dot matrix backlit LCD display. See Figure 1.

During normal operation, the LCD continuously displays the detected gas level, gas type, and units of measurement. The real time clock can also be displayed if desired.

The display shows the following alarm information:

- High gas alarm
- Low gas alarm
- Aux alarm

The display indicates the following fault information:

- Device fault
- Display fault

The UD10 has smart capabilities to allow easy access to the following information:

- Detector information
- Measurement range
- Alarm setpoints
- Alarm and event logs

For detailed HART menu structure, refer to the appropriate appendix.

LOGGING

Events that can be logged in the UD10 include:

- Calibration (Date, time, and success Y/N are logged for detectors that do not provide their own calibration logging capabilities.)

Faults that are logged in the UD10 include:

- Detector fault
- Low power
- General fault

Alarms that are logged in the UD10 for gas detector inputs include:

- High gas alarm
- Low gas alarm
- Aux alarm.

The UD10 has its own battery backed real time clock (RTC) and its own event logs. The RTC in the UD10 can be set from the UD10 display, Modbus or HART interfaces. The RTC in the gas detector (any HART detector having an RTC) can be set independently using the UD10 menu, or by using the synchronize command, which will set the detector RTC to the same time as the UD10 RTC. See Figure 3.

The UD10 can display the detector event and calibration logs (if available). The UD10 has its own 1,000-entry event log available under the Display Status->History->Event Log menu.

UD10 event logs can be read from the HART interface or the Modbus interface.

Detector calibration and event logs can also be read from the detector HART interface (where available).

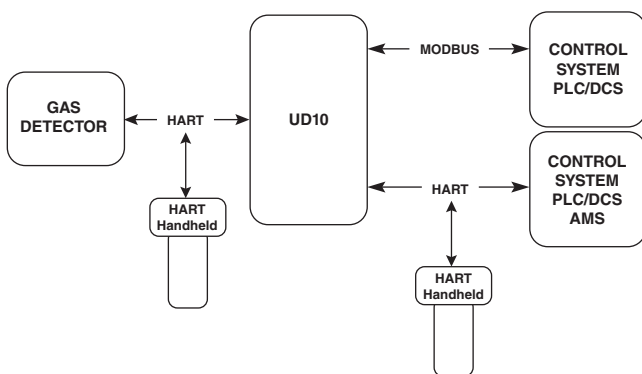


Figure 3—UD10 Logging

IMPORTANT SAFETY NOTES

⚠ CAUTION

The wiring procedures in this manual are intended to ensure proper functioning of the device under normal conditions. However, because of the many variations in wiring codes and regulations, total compliance to these ordinances cannot be guaranteed. Be certain that all wiring complies with the NEC as well as all local codes. If in doubt, consult the authority having jurisdiction before wiring the system. Installation must be done by a properly trained person.

⚠ CAUTION

This product has been tested and approved for use in hazardous areas. However, it must be properly installed and used only under the conditions specified within this manual and the specific approval certificates. Any device modification, improper installation, or use in a faulty or incomplete configuration will render warranty and product certifications invalid.

⚠ CAUTION

The device contains no user serviceable components. Service or repair should never be attempted by the user. Device repair should be performed only by the manufacturer.

LIABILITIES

The manufacturer's warranty for this product is void, and all liability for proper function of the detector is irrevocably transferred to the owner or operator in the event that the device is serviced or repaired by personnel not employed or authorized by Detector Electronics Corporation, or if the device is used in a manner not conforming to its intended use.

⚠ CAUTION

Observe precautions for handling electrostatic sensitive devices.

⚠ CAUTION

Unused conduit entries must be closed with suitably certified blanking elements upon installation.

INSTALLATION

NOTE

The gas detector housing must be electrically connected to earth ground. A dedicated earth ground terminal is provided on the UD10.

NOTE

Refer to the Model UD10 Safety Manual, number 95-8668, for specific requirements and recommendations applicable to the proper installation, operation, and maintenance of SIL-Certified Model UD10 displays.

The detector must always be installed per local installation codes.

Before installing the gas detector, define the following application details:

IDENTIFICATION OF VAPOR(S) TO BE DETECTED

It is necessary to identify the vapor(s) of interest at the job site. The fire hazard properties of the vapor, such as vapor density, flashpoint, and vapor pressure should be identified and used to assist in selecting the optimum detector mounting location within the area.

For cross sensitivity information, refer to each gas detector's corresponding instruction manual. Refer to Table 6 in the "Specifications" section for a list of gas detectors and their corresponding instruction manuals.

Table 3—Device Orientation

Device	Orientation
GT3000	Vertical with Sensor Pointing Down
PIR9400	Horizontal
PIRDUCT	Horizontal
PIRECL	Horizontal
PIRECL-CO ₂	Horizontal
OPECL	Horizontal
CGS	Vertical with Sensor Pointing Down
505/CGS	Vertical with Sensor Pointing Down
C706X	Vertical with Sensor Pointing Down
NTMOS	Vertical with Sensor Pointing Down
Acoustic	Vertical with Sensor Pointing Down
LS2000	Horizontal

IDENTIFICATION OF DETECTOR MOUNTING LOCATIONS

Identification of the most likely leak sources and leak accumulation areas is typically the first step in identifying the best detector mounting locations. In addition, identification of air current/wind patterns within the protected area is useful in predicting gas leak dispersion behavior. This information should be used to identify optimum detector installation points.

If the vapor of interest is lighter than air, place the detector above the potential gas leak. Place the detector close to the floor for gases that are heavier than air. Note that air currents may cause a gas that is slightly heavier than air to rise under some conditions. Heated gases may also exhibit the same phenomenon.

The most effective number and placement of detectors varies depending on the conditions on site. The individual designing the installation must often rely on experience and common sense to determine the detector quantity and best locations to adequately protect the area. Note that it is typically advantageous to locate detectors where they are accessible for maintenance. Locations near excessive heat or vibration sources should be avoided.

Final suitability of possible gas detector locations should be verified by a job site survey.

The gas detector must be mounted with the sensor in the correct orientation as shown in Table 3.

If the UD10 faceplate is not correctly oriented, it can be rotated at 90 degree increments by pulling the electronic module from the four mounting posts that secure it to the junction box and repositioning it as desired. Note that the module is held in place by a compression fitting – no screws are involved.

WIRING

POWER SUPPLY REQUIREMENTS

Calculate the total gas detection system power consumption rate in watts from cold start-up. Select a power supply with adequate capability for the calculated load. Ensure that the selected power supply provides regulated and filtered 24 Vdc output power for the entire system. If a back-up power system is required, a float-type battery charging system is recommended. If an existing source of 24 Vdc power is being utilized, verify that system requirements are met. The acceptable voltage range is 18-30 Vdc measured at the input to the UD10.

NOTE

The power supply must meet the noise requirements for HART systems. If noise or ripple on the main power source could interfere with the HART function, an isolated power source (Figure 11) is recommended. (For detailed information regarding power supply specifications, refer to the HART Communication Foundation's document "FSK Physical Layer Specification" HCF_SPEC-54.)

WIRING CABLE REQUIREMENTS

Always use proper cabling type and diameter for input power as well as output signal wiring. 14-18 AWG, 2.5–0.75 mm² shielded stranded copper wire is recommended. Correct wire size depends on the device and wire length. Refer to the appropriate appendix for additional information. The maximum cable length from power source to UD10 is 2000 feet. Maximum cable length from UD10 to sensor is 2000 feet.

NOTE

The use of shielded cable in conduit or shielded armored cable is highly recommended. In applications where the wiring is installed in conduit, dedicated conduit is recommended. Avoid low frequency, high voltage, and non-signaling conductors to prevent nuisance EMI problems.

CAUTION

The use of proper conduit installation techniques, breathers, glands, and seals is required to prevent water ingress and/or maintain the explosion-proof rating.

SHIELD CONNECTIONS

The UD10 provides terminals for proper grounding of wiring cable shields (located on the sensor, 4-20 mA, and operating power terminal blocks). These shield terminals are not connected internally, but are connected to ground through capacitors. The capacitors ensure an RF ground, while preventing 50/60 Hz ground loops.

Ground all shields as shown in the wiring examples throughout this manual.

IMPORTANT

For proper grounding, all junction boxes / metal enclosures must be connected to earth ground.

The following are required for installations requiring CE Mark compliance:

- For shielded cable installed in conduit, attach the wire shields to the "shield" connections on the terminal blocks, or to earth ground on the case.
- For installations without conduit, use double shielded cable. Terminate the outer shield to earth ground on the case. Terminate the inner shield to the "shield" connection on the terminal blocks.

JUMPER SETTING FOR 4-20 MA LOOP

In order for the 4-20 mA current loop to operate properly, +24 Vdc must be applied to terminal P1-3. This can be accomplished in one of two ways:

- For a **non-isolated** 4-20 mA loop, set jumper plug as shown in Figure 4. This applies +24 Vdc to P1-3 via an internal connection to terminals P2-2 and P2-5.
- If the 4-20 mA loop will receive power from a source other than the UD10's main power source (**isolated**), set the jumper plug as shown in Figure 5 to remove the internal connection.

WIRING PROCEDURE

NOTE

The following section shows the output of the UD10 wired to a generic 4-20 mA signal receiver in various configurations. Since the UD10 can be used with a variety of different detection devices, information that is specific to each detector model (wiring, calibration, HART menus, etc.) is covered in an appendix that is dedicated to that device. Refer to the appropriate appendix at the back of this manual for specific information when wiring the detection system. For information on devices not covered in an appendix, refer to the manual provided by the device's manufacturer.

Figure 4 shows jumper plug P12 positioned to power the 4-20 mA loop from the main power source (non-isolated output).

Figure 5 shows jumper plug P12 positioned for powering the 4-20 mA loop from an external wire/jumper of from a separate power source (isolated output).

Figure 7 shows a UD10 Wired to a PLC using 3-Wire Shielded Cable with a 4-20 mA Non-Isolated Sourcing Output.

Figure 8 shows a UD10 Wired to a PLC using 4-Wire Shielded Cable with a 4-20 mA Non-Isolated Sourcing Output.

Figure 9 shows a UD10 Wired to a PLC with a 4-20 mA Isolated Sourcing Output.

GREASE/LUBRICATION

To ease installation and future removal, ensure that all junction box covers and sensor threads are properly lubricated. If the need arises for additional lubrication, use either Lubriplate grease (see Ordering Information for part number) or Teflon tape. Avoid the use of silicone grease.

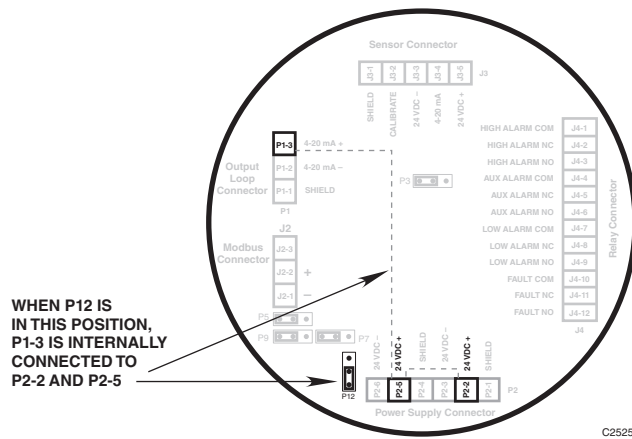


Figure 4—Position of Jumper P12 for Non-Isolated 4-20 mA Loop Output

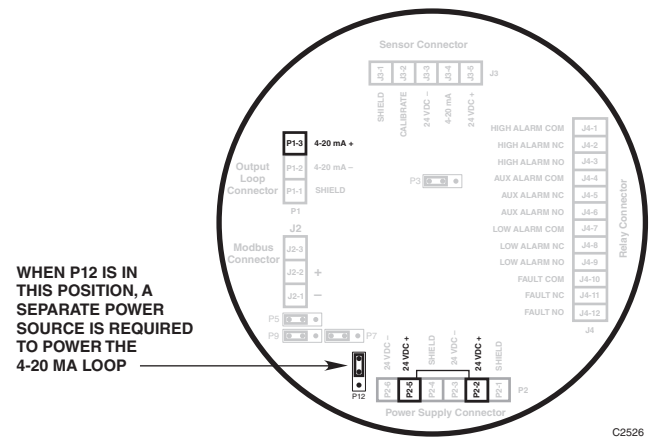
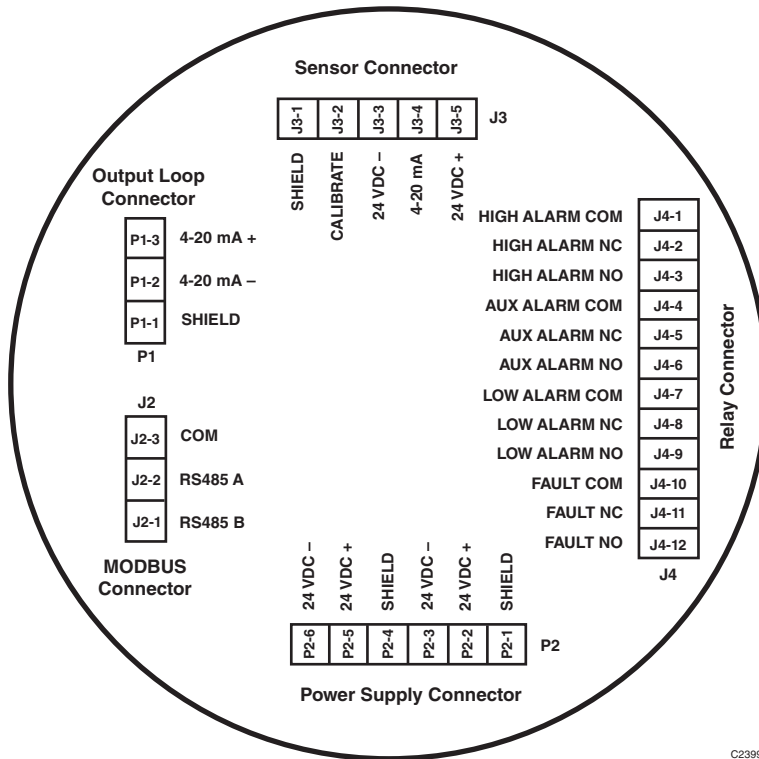
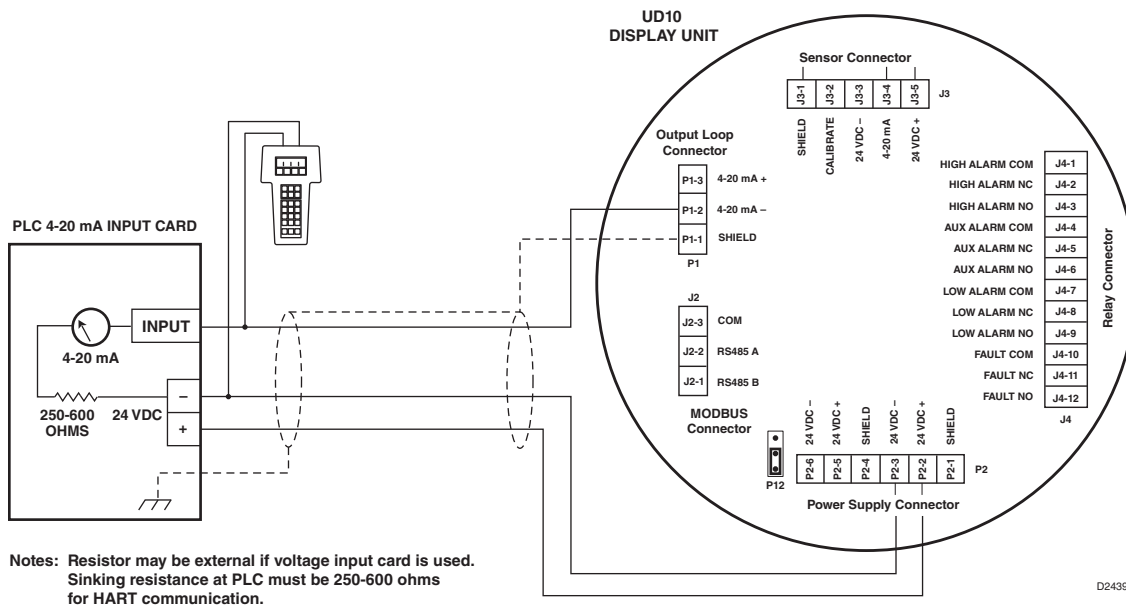


Figure 5—Position of Jumper P12 for Isolated 4-20 mA Loop Output



C2399

Figure 6—Wiring Terminals on UD10 Terminal Board



D2439

Figure 7—UD10 Wired to PLC using 3-Wire Shielded Cable with 4-20 mA Non-Isolated Sourcing Output

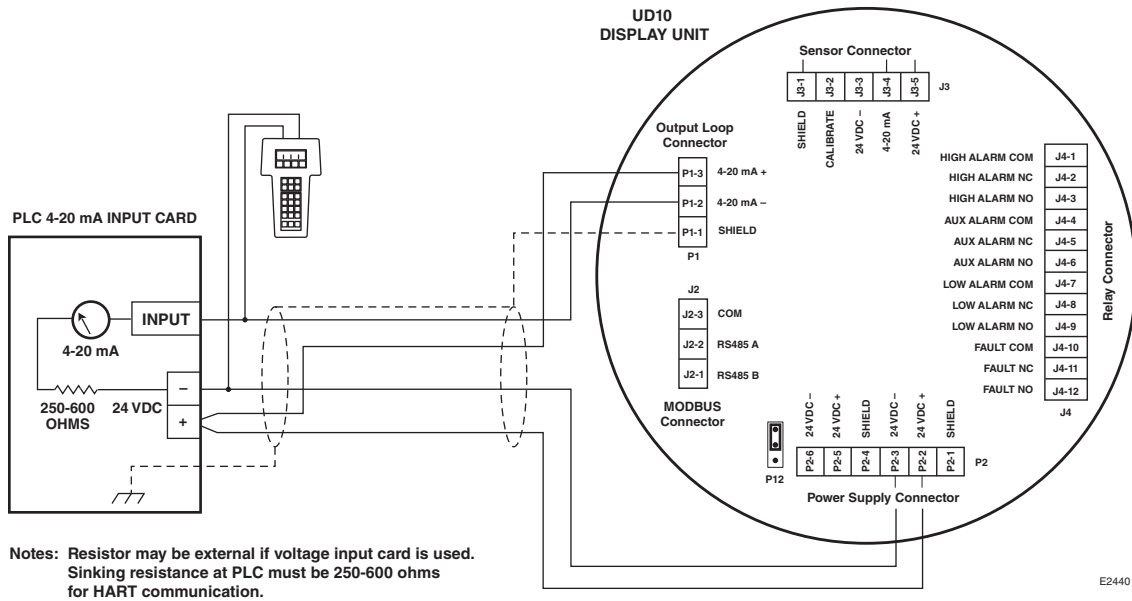


Figure 8—UD10 Wired to PLC using 4-Wire Shielded Cable with 4-20 mA Non-Isolated Sourcing Output

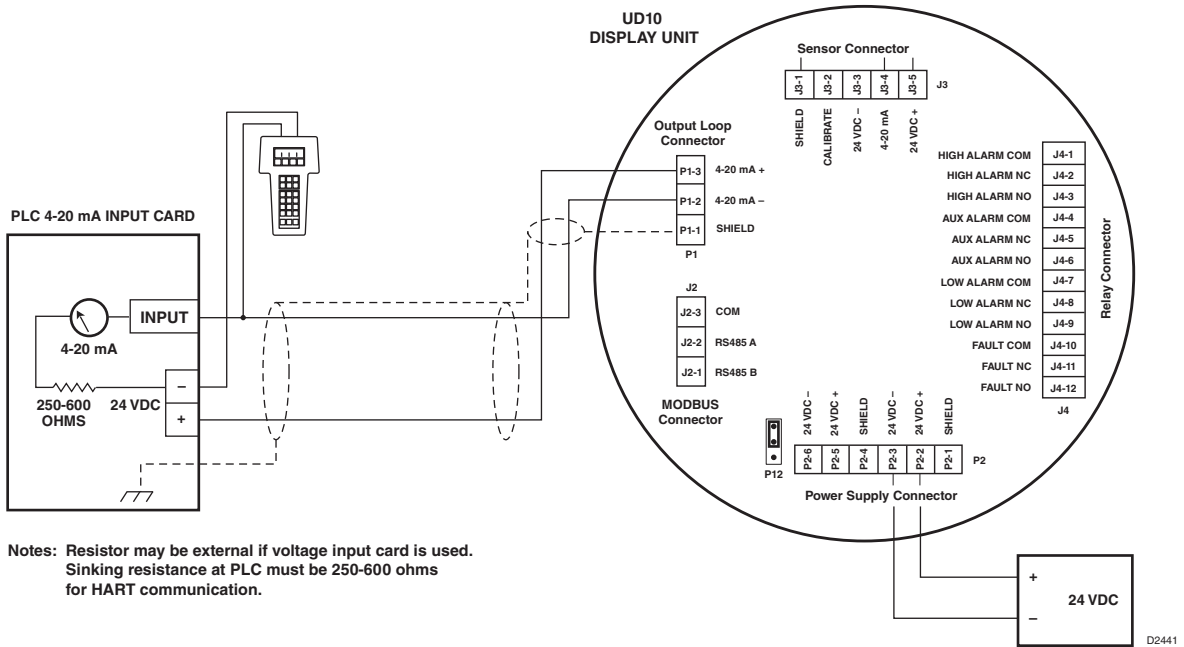


Figure 9—UD10 Wired to PLC with 4-20 mA Isolated Sourcing Output

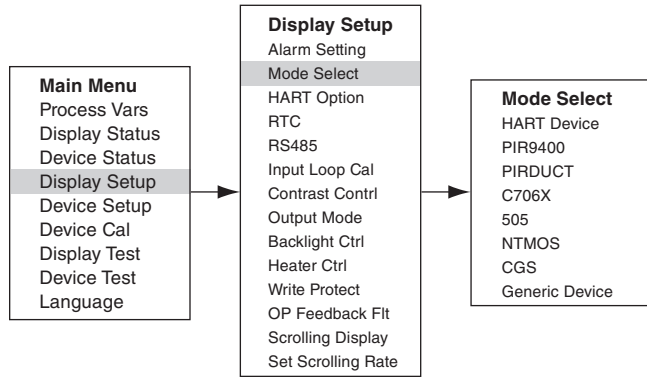
IMPORTANT

Isolated operation is highly recommended to prevent noise or ripple on the main power source from interfering with the HART function.

STARTUP

After power has been applied and the warm-up period is complete, select the UD10 operating mode. To do this:

1. Access the Main Menu by touching the magnet to the ENTER/SELECT button. From there, navigate to the "Mode Select" menu.



2. From the "Mode Select" menu, select and enter the appropriate operating mode based on the type of detector being used.

NOTE

If using a PIR9400, note that changing the gas type on the UD10 does not change the gas type at the PIR9400. This change is made using a switch located in the PIR9400. Refer to the PIR9400 instruction manual 95-8440 for details.

NOTE

If using a C706X detector, navigate to the "Device Setup" menu and select the appropriate gas type and unit of measurement.

3. To exit, activate CANCEL/ESCAPE three times to return to the main display screen.
4. If the detector is replaced with another detector type, the UD10 will not recognize it until the mode is changed.
5. If the UD10 Display is in PIR9400 mode and if:
 - a. The connection between PIR9400 and the UD10 is removed, the UD10 will show a FAULT on the Gas Screen. When the connection between PIR9400 and UD10 is restored, the UD10 will remove the FAULT indication when current increases beyond 3.6 mA.
 - b. Someone removes the PIR9400 & connects a HART enabled Gas Detector, it will not be recognized by the UD10 Display until the mode is changed to HART.

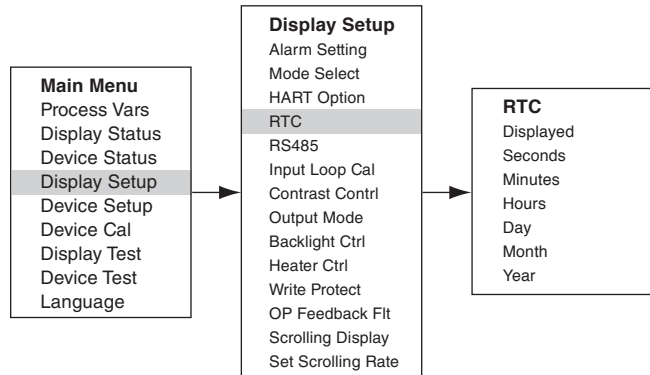
RTC

NOTE

The UD10 is set at the factory for US Central Standard time.

To display and set the Real Time Clock and Date for the UD10:

1. Using the magnet to activate the switches on the UD10 display, navigate to the RTC menu.



2. The first item on the RTC screen is "Displayed". Y (Yes) or N (NO) is shown to indicate whether the time and date will be displayed on the main screen. To change the display setting, use the ENTER/SELECT button to go to the next screen, then use the PREVIOUS or NEXT buttons to toggle between Y and N. Once the chosen input is selected, use the ENTER/SELECT button to enter the selection. Use the CANCEL/ESCAPE button to exit without changing.

3. Use the same method to set time and date.

Specifically for the GT3000 Transmitter, the RTC for the transmitter can be synchronized to the RTC of the display by going through the Main Menu->Device Setup->RTC-> 1st slot "Sync W/Disp."

Latching Alarms

The high, auxiliary and low alarm relay settings are programmable and can be set for latching or non-latching operation. Alarm configuration can be done using the local display menu or external HART interface. Latched alarms on the display can be cleared:

- Through the Display Setup > Alarm Setting submenu using the magnet or external HART interface.
- Using the Cancel button on the UD10 faceplate.
- Using the Calibration line if it is not used by the attached detector.

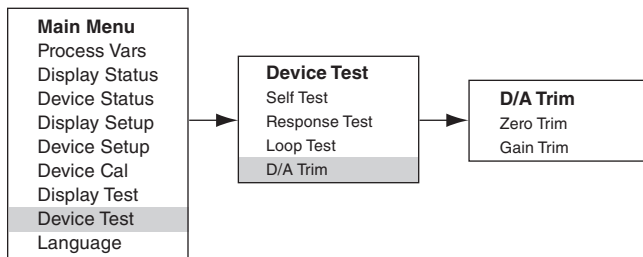
4-20 mA LOOP CALIBRATION

Both the input and output current loops of the UD10 are trimmed at the factory. They can also be trimmed in the field for maximum accuracy using the following procedures. If the detector connected to the UD10 is HART enabled, its 4-20 mA output signal can also be trimmed.

When the UD10 is used with a detector that supports HART communication, the output of the detector should be calibrated first.

HART Detector Signal Calibration

Navigate down the menu to Device Test > D/A (Digital to Analog) Trim.

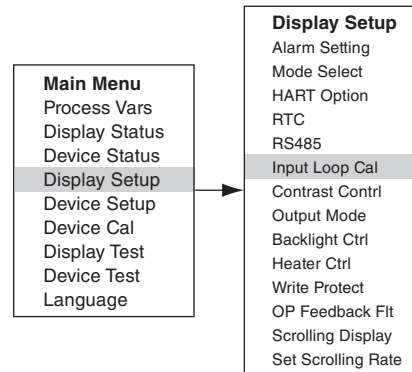


Select Zero Trim. When this screen is entered, a warning message is presented. Select ENTER to continue. When the message “Connect Reference Meter” is presented, install the current meter on the mA line between the detector and UD10. Select ENTER to continue. When the message “Set Input Current to 4mA?” is presented, select ENTER to begin the Zero Trim function. The detector will now set its 4 mA output value. If the value indicated on the current meter is not 4.00 mA, enter the measured value into the UD10 using the Previous and Next switches. The UD10 calculates and corrects for the difference between the actual and entered values. When the current meter value is at the desired 4.00 mA, select ENTER to accept the new Zero Trim value.

Select Gain Trim. Follow the same procedure for gain/span calibration.

UD10 Input Trim

When the UD10 is used with a detector that supports HART communication, an automated process can be used to trim the UD10 input. Navigate down the menu to “Input Loop Cal”.

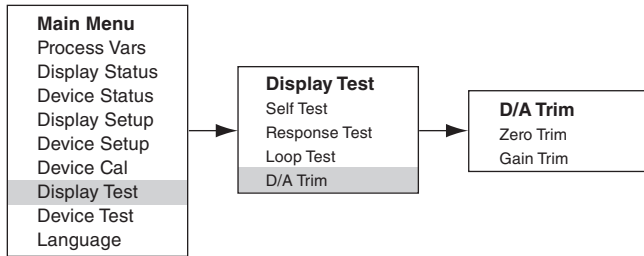


Upon entering Input Loop Cal, the UD10 commands the detector to output 4 mA, and then automatically calibrates its own input. The UD10 then commands the detector to output 20 mA and subsequently calibrates its own input.

If a non-HART detector is being used, the Input Loop Cal may be performed with a mA current source or loop calibrator connected to the UD10 Sensor Connector. Follow the loop calibration instructions shown by the UD10 for this procedure.

UD10 Output Trim

To calibrate the UD10 output loop, navigate down the menu to Display Test > D/A Trim.



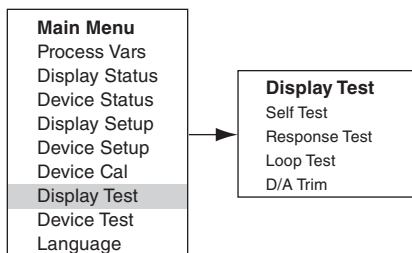
Select Zero Trim. When this screen is entered, a warning message is presented. Select ENTER to continue. When the message “Connect Reference Meter” is presented, install the current meter on the UD10 mA output. Select ENTER to continue. When the message “Set Output Current to 4mA?” is presented, select ENTER to begin the Zero Trim function. The UD10 will now set its 4 mA output value. If the measured value on the current meter is not 4.00 mA, enter the measured value into the UD10 using the Previous and Next switches. The UD10 calculates and corrects for the difference between the actual and entered values. When the current meter value is at the desired 4.00 mA, select ENTER to accept the new Zero Trim value.

Select Gain Trim. Follow the same procedure for gain/span calibration.

OPTIONAL SYSTEM TESTS

The following tests are available for verifying proper operation of various functions of the gas detection system:

- The Self Test, Response Test, and Loop Test are accessed from the “Display Test” screen. (A “Device Test” screen is available for performing the same tests on HART enabled detectors.)
- The Proof Test is performed by applying test gas to the sensor. It is **not** accessed from the “Display Test” screen and does **not** inhibit the outputs.



Self-Test

This test commands the UD10 to perform a fully automatic internal test. At the completion of the test, the UD10 will indicate a pass or fail.

Response Test

This test inhibits the UD10’s outputs, thereby providing a means of testing the system by applying gas to the detector without activating any alarms or affecting the output.

NOTE

If the Response Test is not terminated by the operator, the test will automatically time out after 10 minutes and the UD10 will return to normal operation.

Loop Test

This test temporarily forces the UD10’s 4-20 mA output to a specific level. This is an easy way to test the output signal of the UD10 for accuracy, to verify the capabilities of the system, and to verify the input signal of a receiver. To perform this test, connect a current meter to the output loop. Navigate to Display Test and select Loop Test, then follow the prompts on the UD10 Screen.

NOTE

If the Loop Test is not terminated by the operator, the test will automatically time out after one minute and the UD10 will return to normal operation.

Proof Test

A Proof Test (bump test) can be performed at any time to verify proper operation and calibration of the system. Since this test does not inhibit the UD10’s outputs, secure any output devices prior to performing the test to prevent unwanted actuation.

HISTORY

There are two separate histories, one for the display and one for the detector (if available). Both will state the number of hours that the unit has been operating, and the highest and lowest recorded temperature (with time and date stamp).

PASSWORD PROTECTION

The UD10 allows the use of a password for restricting changes to configuration parameters and limiting access to safety critical commands. The UD10 is shipped from the factory with the password protection (Write Protect) feature disabled.

The following are locked when Write Protect security is enabled:

Alarm Setting screen – All options except “RST Latch Alarms”

Mode Select screen – All options

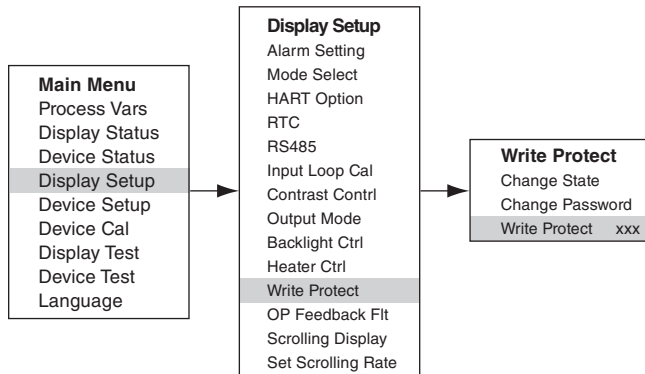
HART Option – All options

RTC – All options except Displayed Y/N

Output Mode

Display Test screen – All options

To enable the Write Protect feature, navigate to the Write Protect screen.



Select “Change State” to toggle between Enabled and Disabled.

Select “Change Password” to enter a new password.

“Write Protect” indicates whether password protection is Enabled or Disabled.

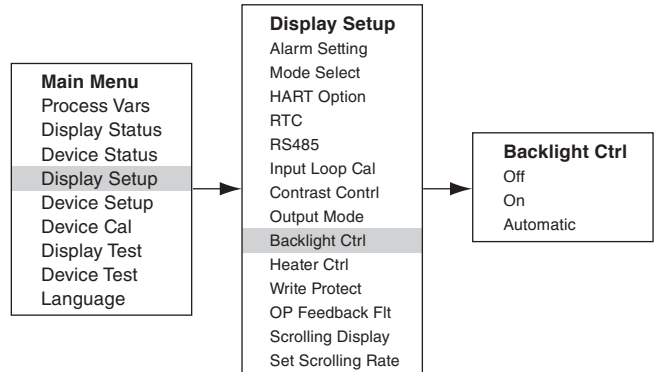
The default password is 1*****.

IMPORTANT

Take care not to lose the password. Future changes cannot be made without a password.

DISPLAY BACKLIGHT OPERATION

The UD10 can be programmed to turn on the backlight feature of the digital display when an alarm or fault occurs or a magnetic switch is activated. Navigate to the Backlight Ctrl screen.



Off = The backlight is always off.

On = The backlight is always on.

Automatic = Normal operation – Backlight is off
 Alarm – Backlight flashes on and off
 Fault – Backlight is on steady
 Magnetic Switch – Backlight is on steady

The backlight automatically turns off 10 minutes after the last Magnetic Switch activation.

If the backlight is on following a magnetic switch activation and then an alarm condition occurs, the backlight will remain on steady and not flash until the 10 minute time-out is complete. Then it will begin flashing.

TROUBLESHOOTING

If a Fault condition is indicated on the UD10 faceplate, the nature of the fault can be determined by using the magnetic tool to navigate to the appropriate Fault screen.

NOTE

Refer to the Menu in the appropriate appendix of this manual for the path to the proper Fault screen.

Shortcut: From the main display screen, touch the magnet to the “Previous” switch to go directly to the Fault screen.

Example:

For a Display (UD10) related fault:

Main Menu > Display Status > Fault/Status > Fault

For a Device (Sensor) related fault:

Main Menu > Device Status > Fault/Status > Sensor Fault

When the active fault has been identified, refer to the Troubleshooting Tables for a description of the fault and suggested corrective action.

Refer to Table 4 for Display Faults and Table 5 for Device Faults.

Table 4—Troubleshooting Guide - Display Faults

Display Faults	Description	Recommended Action
Input Loop FLT	Fault in sensor or sensor loop	Check sensor wiring. Calibrate sensor. Ensure that sensor type matches configuration.
Output Loop FLT	Fault in 4-20 mA output loop	Check 4-20 mA loop wiring for shorts or opens.
EE Fault	Fault in non-volatile memory	Return to factory.
ADC Ref Fault	ADC reference voltage too high or low	Return to factory.
24V Fault	Problem in 24 volt power supply or power wiring	Check power wiring and output voltage of power supply.
Flash Fault	FLASH memory Fault	Return to factory.
RAM Fault	Fault in volatile memory	Return to factory.
WDT Fault	Watchdog timer is non-functional	Return to factory.
12V Fault	12 volt internal power supply out of tolerance	Check power source. Return to factory.
5V Fault	5 volt internal power supply out of tolerance	Check power source. Return to factory.
3V Fault	3 volt internal power supply out of tolerance	Check power source. Return to factory.

Note: A fault condition will cause an oxygen detector to generate an alarm output as the decreasing 4-20 mA signal passes through the alarm range.

Table 5—Troubleshooting Guide - Device Faults

Device Faults	Description	Recommended Action
Loop Fault	Current loop below fault threshold	Check 4-20 mA loop wiring for shorts or opens.
Supply Voltage Fault	24 volt power supply voltage too low	Verify proper wiring to the device and correct voltage output from the power supply.
Calibration Fault	Bad calibration	This fault can be caused if the calibration is allowed to time out. If so, recalibrate. Ensure that there is enough gas in the calibration bottle to complete the calibration. Ensure that the gas being used for calibration is the correct type and concentration. It must match the configured setting.
Memory Fault	Self-detected memory fault	Return to factory.
ADC Fault	Self-detected ADC fault	Return to factory.
Internal Voltage Fault	Self-detected voltage fault	Check supply voltage. Return to factory.
Zero Drift	Sensor signal has drifted negative	Device may have been calibrated with background gas present. Recalibrate the detector. Purge with clean air if needed.
Temperature Sensor Fault	Temperature sensor is out of range	Return to factory.
Wrong Sensor Type	Wrong sensor type is installed	Sensor type must match configuration. Change sensor or configuration.
Lamp Fault	Open or shorted lamp	Replace lamp. Return to factory.
Alignment Fault	Open path alignment problem	Align the device as specified in the instruction manual.
Blocked Optic Fault	Optical path is blocked	Locate and remove obstruction from the optical path.
Cal Line Active	Cal line is active at start-up	Ensure that the Cal line wiring is not shorted and the switch is open.
Low Cal Line	Cal line is shorted.	Check wiring.
Sensor Fault	Self-detected fault with the sensor	Check sensor wiring. Calibrate sensor. Ensure that sensor type matches configuration.
Noise Fault*	Excessive noise on signal	Check OPECL alignment.
Align ADC Fault*	Alignment ADC saturated	Check OPECL alignment.
Align Fault*	Alignment fault	Check OPECL alignment.
Align Warning*	Alignment warning	Check OPECL alignment.
DAC Fault	DAC fault detected	Return to factory.
General Fault	Unspecified fault	Verify correct power wiring and supply voltage. Consult the factory.
High Fault	Detector output is higher than specified limit	Verify correct sensor type and calibration.
Low Fault	Detector output is lower than specified limit	Verify correct sensor type and calibration.
Dirty Optics	Detector optics are dirty	Perform the cleaning procedure as described in the detector manual, then perform calibration.
Start Cal Fault	Calibration fault	Verify correct sensor type and calibrate.

*OPECL only.

Table 5—Troubleshooting Guide - Device Faults, Continued

Device Faults	Description	Recommended Action
EE Fault	Fault in non-volatile memory	Power may have been interrupted while the device was updating its internal data logs. Recycle power.
Ref ADC Sat	Sensor signal level is outside the range of the AD converter	Return to factory.
Active ADC Sat	Sensor signal level is outside the range of the AD converter	Return to factory.
24V Fault	Problem in 24 volt power supply or power wiring	Check power wiring and output voltage of power supply.
Flash CRC Fault	Memory fault	Return to factory.
RAM Fault	Fault in volatile memory	Return to factory.
Low Voltage	Power supply voltage outside of limits	Check power supply voltage. Return to factory.
Temp Fault	Temperature sensor fault	Return to factory.
Software Fault	Internal software fault	Return to factory.
EE Safety Fault	Internal configuration fault	Return to factory.
Gas Under Range	Sensor signal has drifted negative	Device may have been calibrated with background gas present. Recalibrate the detector. Purge with clean air if needed.
Sensor Mismatch	Wrong sensor type is installed	Sensor type must match configuration. Change sensor or configuration.
ADC CNTR Fault	Internal hardware fault	Return to factory.
3V Fault	3 volt internal power supply out of tolerance	Return to factory.
Comm Fault	Communication fault	Check detector wiring and power supply.
GEN Fault	Unspecified fault	Verify correct power wiring and supply voltage. Consult the factory.
12V Fault	12 volt internal power supply out of tolerance	Return to factory.
5V Fault	5 volt internal power supply out of tolerance	Return to factory.

SPECIFICATIONS

OPERATING VOLTAGE—

24 Vdc nominal, operating range is 18 to 30 Vdc.
Ripple cannot exceed 0.5 volt P-P.

OPERATING POWER—

Standard model, with heater and backlight off:

No alarm: 1.5 watts @ 24 Vdc.
Alarm: 3 watts @ 24 Vdc (20 mA current loop output and all 3 alarm relays energized.)

Backlight on: 0.5 watt additional.
Heater on: 3.5 watts additional.
CGS model: Add 4 watts with CGS interface board and CGS sensor installed.

Maximum power in alarm, with heater and backlight on:
7 watts @ 30 Vdc (Standard model)
11 watts @ 30 Vdc (CGS model)

NOTE

Heater turns on when the internal temperature drops below -10°C (default operation). Heater function can be disabled to save power.

NOTE

Appropriate relays will be activated when a fault or alarm occurs.

CURRENT OUTPUT—

Linear isolated 4-20 mA output with HART.
3.8 mA indicates calibrate mode.
3.6 mA or less indicates a fault condition.
Maximum loop resistance is 600 ohms at 18 to 30 Vdc.

CURRENT OUTPUT RESPONSE TIME—

Toxic gas mode: T90 \leq 5 seconds.
Combustible gas mode: T90 \leq 4 seconds.
Combustible gas - open path mode: T90 \leq 4 seconds.
UD10 w CGS: T90 <12 seconds.

CURRENT OUTPUT ACCURACY: GENERAL—

The UD10 adds less than 1% error to the output value.

SYSTEM OUTPUT ACCURACY: UD10 WITH CGS—

The UD10 with CGS sensor directly attached has an overall system accuracy of $\pm 3\%$ for 0-50 LFL range and $\pm 5\%$ for 51-100 LFL range, including error added by UD10.

RELAY CONTACTS—

Three Alarm Relays: Form C, 5 amperes at 30 Vdc.
Selectable energized/de-energized.
Selectable latching or non-latching.
Refer to Table 1 for range and default settings.

WARNING

When in non-latching mode, the control device must latch the alarm output.

One Fault Relay: Form C, 5 amperes at 30 Vdc.
Normally energized for no fault condition with power applied.

RELAY RESPONSE TIME—

\leq 2 seconds.

WIRING TERMINALS—

14–18 AWG, 2.5–0.75 mm² wire can be used.

OPERATING TEMPERATURE—

-55°C to $+75^{\circ}\text{C}$

STORAGE TEMPERATURE—

-55°C to $+75^{\circ}\text{C}$

HUMIDITY RANGE—

5 to 95% RH (Det-Tronics verified)

ELECTRO-MAGNETIC COMPATIBILITY—

EMC Directive 2014/30/EU
EN 50270:2006
EN 61000-6-2:2005
EN 61000-6-4:2007

DIMENSIONS—

See Figures 10 and 11.

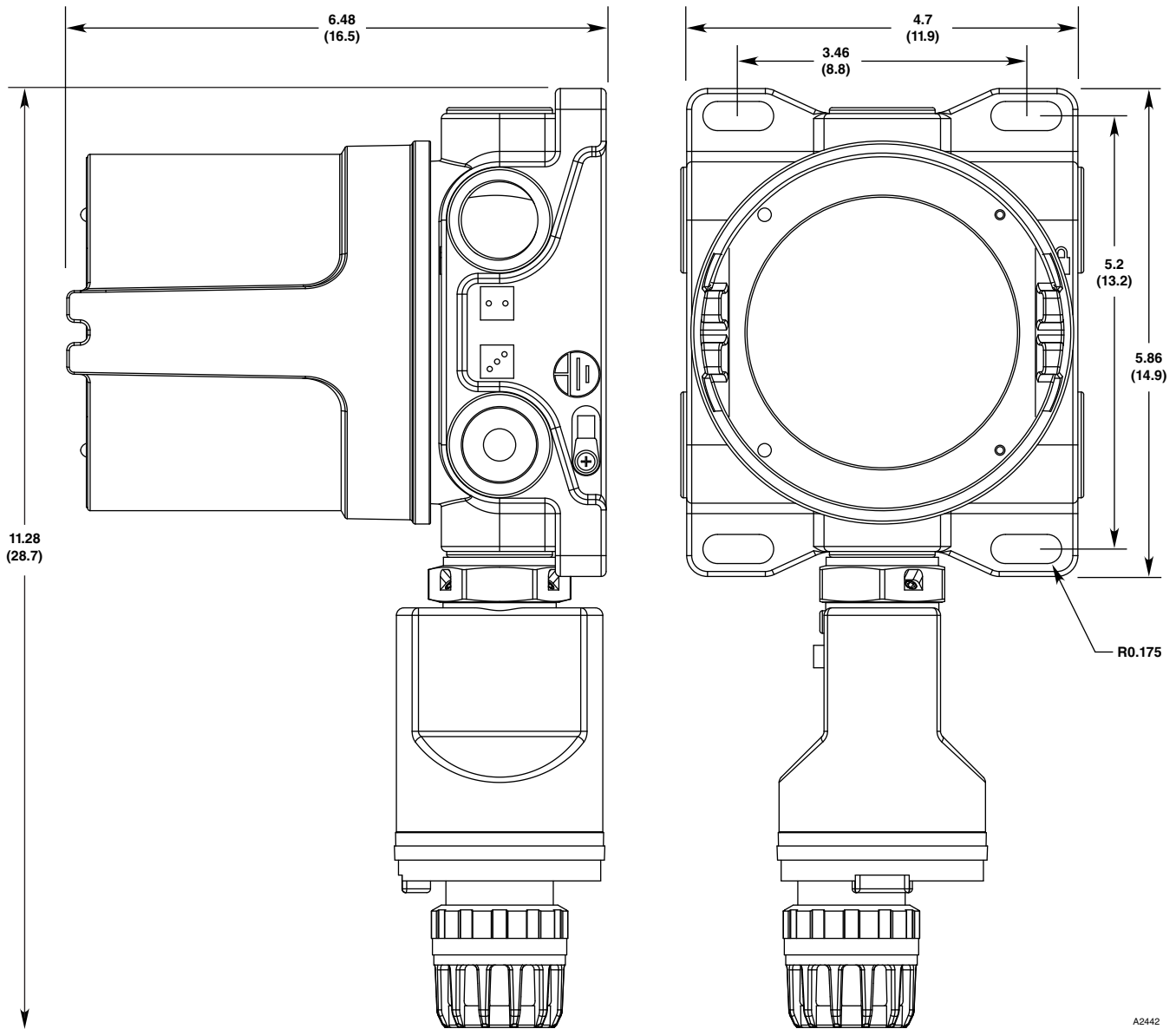


Figure 10—Dimensions of UD10 with GT3000 in Inches (Centimeters)

CONDUIT ENTRIES—

3/4" NPT or M25

ENCLOSURE MATERIAL—

Epoxy coated aluminum or 316 stainless steel.

SHIPPING WEIGHT—

Aluminum: 4.15 pounds (1.88 kilograms)

Stainless steel: 10.5 pounds (4.76 kilograms)

WARRANTY—

12 months from date of installation or 18 months from date of shipment, whichever occurs first.

DETECTOR COMPATIBILITY—

The UD10 can be used with the Det-Tronics gas detectors listed in Table 6.

UNIT OF MEASUREMENT—

PPM, % LFL, % V/V, LFLM, or Mg/M³.

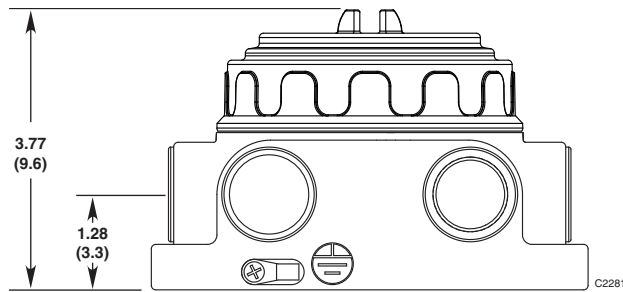
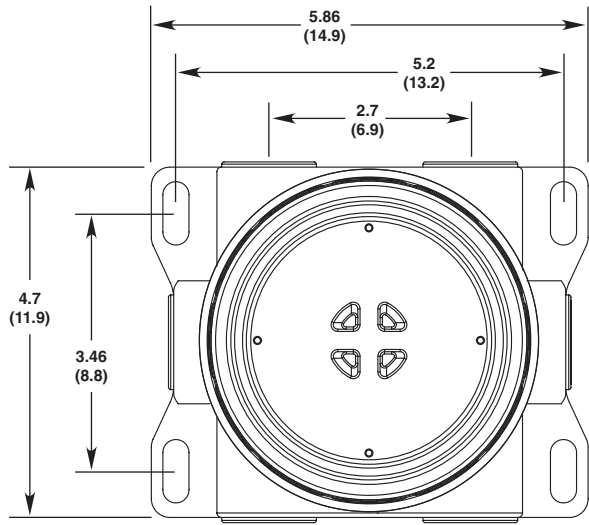


Figure 11—Dimensions of Model STB Termination Box in Inches (Centimeters)

CERTIFICATION—

For complete approval details, refer to the appropriate appendix:



- Appendix A – FM
- Appendix B – CSA
- Appendix C – ATEX
- Appendix D – IECEx
- Appendix E – INMETRO

SIL Approval - IEC 61508
Certified SIL 2 Capable.

For specific information regarding SIL safety certification, refer to the Model UD10 Safety Reference Manual, number 95-8668,.

Table 6—Gas Detectors Compatible with the UD10

Device	Toxic ¹	Catalytic Combustible	IR Combustible ²	Ultrasonic Acoustic	Instruction Manual
GT3000	X				95-8616
PIR9400			X		95-8440
PIRDUCT			X		95-8573
PIRECL			X		95-8526
PIRECL-CO ₂ *	X				95-8676
OPECL			X		95-8556
CGS		X			90-1041
505/CGS		X			95-8472
C706X ³	X				95-8396, 95-8411, 95-8414, 95-8439
NTMOS**	X				95-8604
AC100/ATX10				X	95-8657
LS2000			X		95-8714

1 Hydrogen sulfide, Ammonia, Chlorine, Hydrogen, Oxygen, Carbon Monoxide, and Sulfur Dioxide.

2 Hydrocarbons, see device manual for details.

3 **C7065E Oxygen detector is not supported.**

* Carbon dioxide only.

** Hydrogen sulfide only.

DEVICE REPAIR AND RETURN

Prior to returning devices, contact the nearest local Detector Electronics office so that a Return Material Identification (RMI) number can be assigned. **A written statement describing the malfunction must accompany the returned device or component to assist and expedite finding the root cause of the failure.**

Pack the unit properly. Always use sufficient packing material. Where applicable, use an antistatic bag as protection from electrostatic discharge. The RMI number should be clearly marked on the outside of the box.

NOTE

Inadequate packaging that ultimately causes damage to the returned device during shipment will result in a service charge to repair the damage incurred during shipment.

Return all equipment transportation prepaid to the factory in Minneapolis.

NOTE

It is highly recommended that a spare be kept on hand for field replacement to ensure continuous protection.

ORDERING INFORMATION

Sensor module, transmitter module and termination boxes (if used) must be ordered separately.

Refer to the UD10 Model Matrix for ordering details.

ACCESSORIES

Part Number	Description
009700-001	Magnetic Tool
103922-001	475 Field Communicator
010268-001	Gas Inspector CD
010204-001	W6300G1003 Gas Inspector Connector
005003-001	Lubriplate grease, 1 oz.
101197-001*	Stop Plug, 3/4" NPT, AL
101197-004*	Stop Plug, 3/4" NPT, SS
101197-005	Stop Plug, M25, AL, IP66
101197-003	Stop Plug, M25, SS, IP66
010816-001	Stop Plug, 20PK, 3/4" NPT, AL
010817-001	Stop Plug, 20PK, 3/4" NPT, SS
010818-001	Stop Plug, 20PK, M25, AL, IP66, EXDE
010819-001	Stop Plug, 20PK, M25, SS, IP66, EXDE
104190-001	Stop Plug, M25, AL, INMETRO
104190-002	Stop Plug, 3/4" NPT, AL, INMETRO
104190-003	Stop Plug, M25, SS, INMETRO
104190-004	Stop Plug, 3/4" NPT, SS, INMETRO
102804-001	Reducer, M25 to M20, AL
102804-003	Reducer, M25 to M20, SS

*NEMA/Type 4X, IP66 rating requires addition of Teflon tape.

REPLACEMENT PARTS

Part Number	Description
010569-001	Electronics Module - Relay/4-20 mA

UD10 MODEL MATRIX

MODEL	DESCRIPTION	
UD10	Universal Display Unit	
	TYPE	MATERIAL
	A	Aluminum
	S	Stainless Steel (316)
	TYPE	THREAD TYPE
	5E	5 Port, 1/2" NPT
	5F	5 Port, Metric M20
	5M	5 Port, Metric M25
	5N	5 Port, 3/4" NPT
	TYPE	OUTPUTS
	25	Relay, 4-20 mA, RS485, HART
	28	EQP / DCU Emulator
	TYPE	APPROVALS*
	B	INMETRO (Brazil)
	R	VNIIFTRI (Russia)
	S	SIL
	T	SIL/FM/CSA/ATEX/CE/IECEX
W	FM/CSA/ATEX/CE/IECEX	
TYPE	CLASSIFICATION (Div/Zone)	
2	Ex d (Flameproof)	
TYPE	OPTIONAL CONDITIONING BOARD	
(Blank)	None	
C	CGS	
N	NTMOS**	

* Type Approvals can use one or more letters to designate the approvals of the product.

** Not required for DCU Emulator model.

APPENDIX A

FM APPROVAL DESCRIPTION

Class I, Div. 1, Groups B, C & D (T4);
Class I, Div. 2, Groups B, C & D (T4);
Class I, Zone 1/2 AEx d IIC (T5);
Class II/III, Div. 1/2, Groups E, F & G.
Tamb -50°C to +75°C
NEMA/Type 4X, IP66
Conduit seal not required.

Performance verified in accordance with:
FM 6320:2014, FM 6325: 2005, ANSI/
ISA-92.0.01:1998, ANSI/ISA-92.00.01:2010, ANSI/
ISA 60079-29-1 (12.13.01): 2013.

This approval does not include or imply approval of gas detector heads or other apparatus to which the subject instrument may be connected. In order to maintain a Factory Mutual Research approved system, the measurement input signal to which this instrument is connected must also be approved by Factory Mutual Research.

UD10 hazardous location and performance testing was successfully completed down to -55°C. However, the FM approved rating is limited to -50°C as there are no conduit fittings, cables, or cable glands that are presently listed for use below -50°C in the US. FM approvals policy does not allow product temperature ratings to exceed required installation components (such as conduit seals). The user must ensure that conduit fittings, cables, cable glands, etc., are rated for the expected minimum ambient temperature of the installation.

NOTE

Consideration must be given to overall Gas System Performance Requirements.



WARNING

When a sensor/detector is connected directly to the UD10 housing, the lower ratings of the two devices will prevail.

APPENDIX B

CSA CERTIFICATION DESCRIPTION

CSA 2029512.
Class I, Div. 1, Groups B, C & D (T5);
Class I, Div. 2, Groups B, C & D (T4);
Class II/III, Div. 1/2, Groups E, F & G.
(Tamb = -55°C to +75°C)
Type 4X
Conduit seal not required.

Performance verified in accordance with:
CSA C22.2 #152.

NOTE

Consideration must be given to overall Gas System Performance Requirements.

WARNING

When a sensor/detector is connected directly to the UD10 housing, the lower ratings of the two devices will prevail.

APPENDIX C

ATEX APPROVAL DESCRIPTION

Ex d IIC Gb T6
Ta = -55°C to +75°C IP66
(without integral CGS)

Ex d IIC Gb T5
Ta = -40°C to +75°C IP66
(with integral CGS or LON)

Performance verified in accordance with:
EN 60079-29-1:2007
EN 60079-29-4:2010

Compliance with:

EN 60079-0:2012+A11:2013
EN 60079-1:2014

Special Conditions for Safe Use ('X'):

The UD10 control unit complies with EN 60079-29-1 and EN 60079-29-4 only when connected to a Detector Head that also has been evaluated to EN 60079-29-1 and EN 60079-29-4.

Flameproof joints are not user serviceable, contact Det-Tronics.

UD10 hazardous location and performance testing was successfully completed down to -55°C. However, the FM approved rating is limited to -50°C as there are no conduit fittings, cables, or cable glands that are presently listed for use below -50°C in the US. FM approvals policy does not allow product temperature ratings to exceed required installation components (such as conduit seals). The user must ensure that conduit fittings, cables, cable glands, etc., are rated for the expected minimum ambient temperature of the installation.

NOTE

Consideration must be given to overall Gas System Performance Requirements.

WARNING

When a sensor/detector is connected directly to the UD10 housing, the lower ratings of the two devices will prevail.

CATALYTIC COMBUSTIBLE GAS SENSOR (CGS)

CE 0539 II 2 G

Ex db IIC T3, T5 Gb EN60079-29-1

DEMKO 02 ATEX 131323X

T5 (Tamb = -40°C to +75°C)

T3 (Tamb = -55°C to +125°C).

EN Standards: EN 60079-0: 2012+A11: 2013

EN 60079-1: 2014

EN 60079-29 -1: 2007

Special Conditions for Safe Use of CGS:

The CGS Combustible Gas Sensor is certified for use in following ambient temperatures:

- ambient temperature range -40°C to +75°C.

Coding: **Ex db IIC T5 Gb**

- ambient temperature range -55°C to +125°C.

Coding: **Ex db IIC T3 Gb**

The actual temperature range is marked on the sensor.

The performance ambient temperature rating is limited to -40°C to +75°C.

The CGS Combustible Gas Sensor can withstand repeated exposures to 125°C for periods up to 12 hours. It is recommended that the sensor be replaced after maximum 500 hours of exposed to the 125°C temperature condition.

The CGS Combustible Gas Sensor must be used in conjunction with the before mentioned ATEX certified Detector Electronics Corp. combustible gas detector control units for compliance with EN 60079-29-1 standards.

The CGS Combustible Gas Sensor must only be mounted into the enclosures of the Infiniti Gas Transmitter Model U9500A Series, the Combustible Gas Transmitter Model 505 Series, the Digital Communication Unit EQ 22xxDCUEX Series or the Sensor Termination Box Model STB Series.

The actual enclosure must provide a maximum measured reference pressure of 15 bar measured according to EN 60079-1: 2014, §15.

The CGS Combustible Gas Sensor is to be installed in places where there is a low risk of mechanical damage. Flameproof joints are not user serviceable; contact Det-Tronics Service.

APPENDIX D

IECEX APPROVAL DESCRIPTION

Ex d IIC Gb T6
Ta = -55°C to +75°C IP66
(without integral CGS)

Ex d IIC Gb T5
Ta = -40°C to +75°C IP66
(with integral CGS or LON)

Performance verified in accordance with:
IEC 60079-29-1:2007
IEC 60079-29-4: 2009

Compliance with:

IEC 60079-0:2011-06
IEC 60079-1:2014-06

Special Conditions for Safe Use ('X'):

The UD10 control unit complies with IEC 60079-29-1 when connected to a Detector Head with an IEC certificate of conformity to IEC 60079-29-1.

Flameproof joints are not user serviceable, contact Det-Tronics.

UD10 hazardous location and performance testing was successfully completed down to -55°C. However, the FM approved rating is limited to -50°C as there are no conduit fittings, cables, or cable glands that are presently listed for use below -50°C in the US. FM approvals policy does not allow product temperature ratings to exceed required installation components (such as conduit seals). The user must ensure that conduit fittings, cables, cable glands, etc., are rated for the expected minimum ambient temperature of the installation.

NOTE

Consideration must be given to overall Gas System Performance Requirements.



WARNING

When a sensor/detector is connected directly to the UD10 housing, the lower ratings of the two devices will prevail.

Special Conditions of Safe Use of CGS:

The CGS Combustible Gas Sensor is to be installed in places where there is a low risk of mechanical damage.

The CGS Combustible Gas Sensor is certified for use in following ambient temperatures:

Ambient temperature range -40°C to +75°C, Coding: Ex db IIC T5

Ambient temperature range -55°C to +125°C, Coding: Ex db IIC T3

The actual temperature range is marked on the sensor.

The CGS Combustible Gas Sensor has an ambient temperature rating for performance of -40°C to +75°C

The CGS Combustible Gas Sensor can withstand repeated exposures to 125°C for periods up to 12 hours. It is recommended that the sensor be replaced after maximum 500 hours of exposure to the 125°C temperature condition.

The CGS Combustible Gas Sensor must only be mounted into the enclosures of the Infiniti Gas Transmitter Model U9500A Series, the Combustible Gas Transmitter Model 505 Series, the Digital Communication Unit EQ 22xxDCUEX Series or the Sensor Termination Box Model STB Series.

The actual enclosure must provide a maximum measured reference pressure of 15 bar measured according to IEC 60079-1:2014, § 15.

Flameproof joints are not user serviceable; contact Det-Tronics Service.

APPENDIX E

ADDITIONAL APPROVALS

INMETRO (Brazil)

UL-BR 15.0469X
Ex d IIC T5 Gb IP66
T5 (Tamb –40°C to +75°C) With integral CGS
– OR –

Ex d IIC T6 Gb IP66
T6 (Tamb –55°C to +75°C) Without integral CGS

All cable entry devices shall be Brazil certified in the type of explosion protection, flameproof enclosure “d,” suitable for the conditions of use and correctly installed, with an ingress protection rating of IP66.

A screw or cover lock is provided for a secondary means of fastening the cover.

Specific Conditions of Use for Ex Equipment or Schedule of Limitations for Ex Components:

The UD10 with integral CGS (Combustible Gas Sensor) is to be installed in place where there is a low risk of mechanical damage.

The CGS Combustible Gas Sensor must be mounted into the enclosure of the Infiniti Gas Transmitter Model U9500A Series, the Combustible Gas Transmitter Model 505 Series, the Digital Communication Unit EQ22xxDCUEx Series or the Sensor Termination Box Model STB Series.

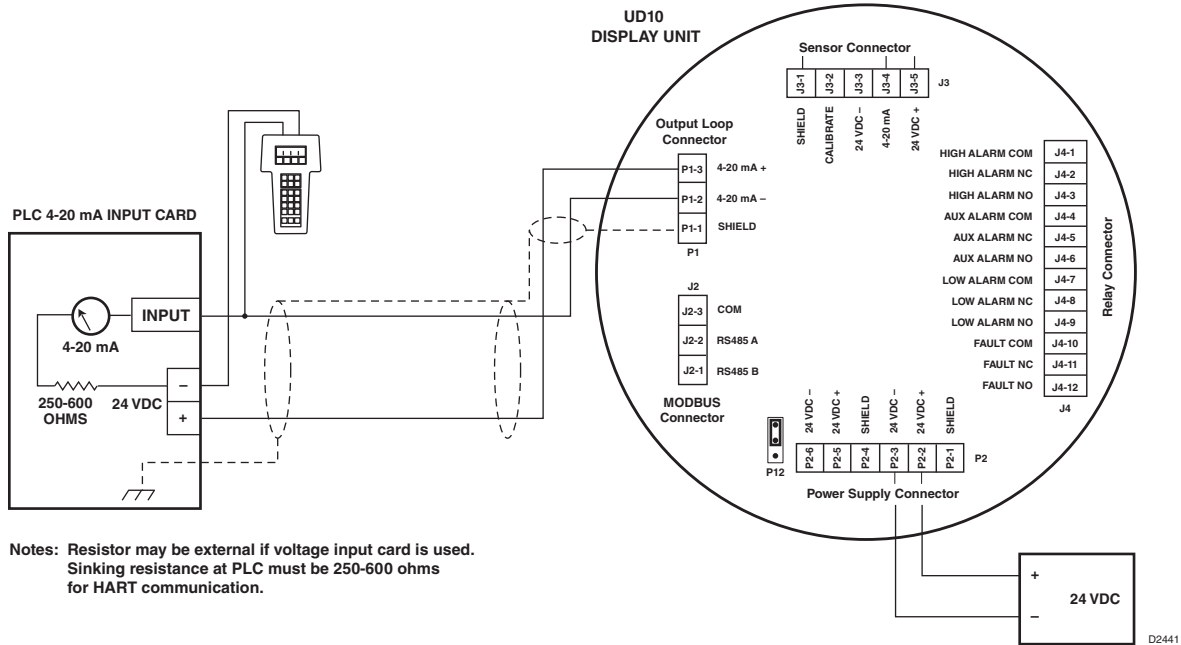
APPENDIX F

USING A HANDHELD HART DEVICE CONNECTED TO THE UD10'S 4-20 MA OUTPUT (UD10 WITH ANY DETECTOR)

NOTE

Refer to the front of this manual for complete information regarding installation, wiring, and startup of the UD10.

WIRING



HART Handheld Communicator Connected to the UD10's 4-20 mA Output

IMPORTANT

To ensure proper operation of the HART communication system, a power supply with low noise and ripple must be used. If noise or ripple on the main power source could interfere with the HART function, an isolated power source is recommended. For additional information, refer to "Power Supply Requirements" in the "Wiring" section of this manual.

MENU STRUCTURE

Refer to the following menu tree when using a HART handheld communicator, connected to the UD10's 4-20 mA output.

MENU HELP

Status menus only allow the user to view the data.
The Setup menus allow the user to both view and edit the data.

UD10

- 1) Display Variables →
- 2) Diagnostics →
- 3) Device Setup →

Display Variables

- 1) Gas Name xxxxx
- 2) Gas Value xxx.x
- 3) High Alarm T/F
- 4) Low Alarm T/F
- 5) AUX Alarm T/F
- 6) Analog Output xxxxx
- 7) Upper Range Value xxxxx
- 8) Lower Range Value xxxxx
- 9) Fault T/F
- SV Value xxxxx
- TV Value xxxxx
- QV Value xxxxx
- Process Variable (strip chart)

Diagnostics

- 1) Display Status Menu →
- 2) Device Status Menu →
- 3) Display Test Menu →

Device Setup

- 1) Display setup →
- 2) Device Setup →
- 3) Device Cal →

Display Status Menu

- 1) Display General Info
- 2) Display History
- 3) Display Info
- 4) Display Fault/Status Info

Device Status Menu

- 1) Device Info
- 2) Device Info 2
- 3) Sensor Info
- 4) Device History Info
- 5) Device Fault/Status

Display Test Menu

- 1) Response Test
- 2) Loop Test
- 3) D/A Trim
- 4) Self Test
- 5) Reset

Loop Test

- 1) 4 mA
- 2) 20 mA
- 3) Other
- 4) End

Display Setup

- 1) Alarm Setting
- 2) Write Protect
- 3) Display HART Option
- 4) Display RTC

Device Setup

- 1) Device HART Option

Device Cal

- 1) Sensor Calibration

Alarm Setting

- 1) Reset Latched Alarms
- 2) High Alarm Level xx.xx
- 3) High Alarm Latch Y/N
- 4) High Alarm NE/NDE →
- 5) Low Alarm Level xx.xx
- 6) Low Alarm Latch Y/N
- 7) Low Alarm NE/NDE →
- 8) Auxiliary Alarm Level xx.xx
- 9) Aux Alarm Latch Y/N
- Aux Alarm NE/NDE →

Write Protect

- 1) Change Mode →
- 2) Write Protect Y/N

Display HART Option

- 1) Tag xxxxx
- 2) Descriptor xxxxx
- 3) Long Tag xxxxx
- 4) Message xxxxx
- 5) Date xxxxx
- 6) Final asbly num xxxxx

Display RTC

- 1) Seconds xx
- 2) Minutes xx
- 3) Hours xx
- 4) Day xx
- 5) Month xxx
- 6) Year xx

Device HART Option

- 1) Tag xxxxx
- 2) Descriptor xxxxx
- 3) Message xxxxx
- 4) Final asbly num xxxxx

Calibration

- 1) Execute
- 2) Abort

Device Info

- 1) Manufacturer xxxxx
- 2) Tag xxxxx
- 3) Descriptor xxxxx
- 4) Message xxxxx
- 5) Final Asbly Num xxxxx
- 6) Dev ID xxxxx
- 7) Write Protect xxxxx
- 8) Model xxxxx

Device Info 2

- 1) Serial Number xxxxx
- 2) Hardware Revision
- 3) Firmware Revision
- 4) Universal Rev xxxxx
- 5) Flid Dev Rev xxxxx
- 6) Software Rev xxxxx

Sensor Info

- 1) Sensitivity xxxxx
- 2) Gas Name xxxxx
- 3) Revision xxxxx
- 4) PV USL xxxxx
- 5) PV LSL xxxxx
- 6) Hours xxxxx
- 7) Serial Number xxxxx
- 8) Hardware Revision xxxxx
- 9) Firmware Revision xxxxx
- Cal Point Zero xxxxx
- Cal Point Span xxxxx

Device History Info

- 1) Calibration Log

Calibration Log

xxxxxxxxx
Date: dd-mmm-yy Time:hh:mm:ss

First
Previous
Next
End

Device Fault/Status

- 1) Operating Mode xxxxx
- 2) Calibration State xxxxx
- 3) Status 1 →
- 4) Status 2 →
- 5) Fault 1 →
- 6) Fault 2 →
- 7) Fault 3 →
- 8) Fault 4 →
- 9) Extended Fault/Status →

Status 1

- 1) Device status 1 xxxxx

Status 2

- 1) Device status 2 xxxxx

Fault 1

- 1) Device Fault 1 xxxxx

Fault 2

- 1) Device Fault 2 xxxxx

Fault 3

- 1) Device Fault 3 xxxxx

Fault 4

- 1) Device Fault 4 xxxxx

Device Status 1

- Calibration Active ON/OFF
- Warm Up ON/OFF
- Low Alarm ON/OFF
- Aux Alarm ON/OFF
- High Alarm ON/OFF
- Self Test ON/OFF
- Configuration Change ON/OFF
- Alignment Mode ON/OFF

Device Status 2

- Write Protect ON/OFF
- Response Test ON/OFF
- 4-20 Fixed ON/OFF
- Sensor Removed ON/OFF
- Sensor End Of Life ON/OFF
- Loop Test Active ON/OFF
- TDSA Alarm ON/OFF
- Quick Alarm ON/OFF

Device Fault 1

- Loop Fault ON/OFF
- Supply Voltage Fault ON/OFF
- Calibration Fault ON/OFF
- Memory Fault ON/OFF
- ADC Fault ON/OFF
- Internal Voltage Fault ON/OFF
- Zero Drift ON/OFF
- Temperature Sensor Fault ON/OFF

Device Fault 2

- Wrong Sensor Type ON/OFF
- Lamp Fault ON/OFF
- Alignment Fault ON/OFF
- Blocked Optic Fault ON/OFF
- Cal Line Active ON/OFF
- Sensor Fault ON/OFF
- Noise Fault ON/OFF
- Align ADC Fault ON/OFF

Device Fault 3

- Align Fault ON/OFF
- Align Warning ON/OFF
- DAC Fault ON/OFF
- High Fault ON/OFF
- Low Fault ON/OFF
- Device Warm Up ON/OFF
- Ref Channel Fault ON/OFF
- Act Channel Fault ON/OFF

Device Fault 4

- Incompatible Version ON/OFF
- Detection Disable Fault ON/OFF
- Oi Fault ON/OFF
- Diminished Detect Fault ON/OFF
- Communication Fault ON/OFF
- Reserved ON/OFF
- Reserved ON/OFF
- General Fault ON/OFF

Extended Fault/Status

- Extended Byte 0 xx
- Extended Byte 1 xx
- Extended Byte 2 xx
- Extended Byte 3 xx
- Extended Byte 4 xx
- Extended Byte 5 xx
- Extended Byte 6 xx
- Extended Byte 7 xx

Display General Info

- 1) Manufacturer →
- 2) Tag xxxxx
- 3) Long Tag xxxxx
- 4) Descriptor xxxxx
- 5) Message xxxxx
- 6) Final Asbly Num xxxxx
- 7) Dev ID xxxxx
- 8) Write Protect xxxxx
- 9) Model xxxxx

Display History

- 1) History
- 2) Event Log

Display Info

- 1) Display RTC
- 2) Serial Number xxxxx
- 3) Hardware Rev xxxxx
- 4) Firmware Revision
- 5) Universal Rev xxxxx
- 6) Flid Dev Rev xxxxx
- 7) Software Rev xxxxx
- 8) DD Build Version

Display Fault/Status Info

- 1) Status 1 xxxxx
- 2) Status 2 xxxxx
- 3) Fault 1 xxxxx
- 4) Fault 2 xxxxx

Extended Byte 3

- Pre-Alarm ON/OFF
- Fire Alarm ON/OFF
- UV Pre-Alarm ON/OFF
- IR Pre-Alarm ON/OFF
- UV Alarm ON/OFF
- IR Alarm ON/OFF
- Misc Alarm ON/OFF
- Reserved ON/OFF

Extended Byte 7

- X Fault ON/OFF
- Oi Fault ON/OFF
- Oi Pre-Fault ON/OFF
- High IR1 Fault ON/OFF
- High IR2 Fault ON/OFF
- Short Circuit Fault ON/OFF
- Power Fault ON/OFF
- Reserved ON/OFF

DET-TRONICS

History

- 1) Running Hrs xxxx
- 2) Max Temp xx.xx C
- 3) Max Temp Time
- 4) Min Temp xx.xx C
- 5) Min Temp Time

Date : DD/MM/YY
Time: HR.MM:SS

Event Log

- 1) Event Log

Event Log

XXXX
Date: dd-mm-yy Time: hh:mm:ss

First
Previous
Next
End

Display RTC

- 1) Seconds xx
- 2) Minutes xx
- 3) Hours xx
- 4) Day xx
- 5) Month xxx
- 6) Year xx

Display Status 1

- Reserved ON/OFF
- Reserved ON/OFF
- HART Test ON/OFF
- LON Attached ON/OFF
- Response Test ON/OFF
- Manual Self Test ON/OFF
- Input HART ON/OFF
- Reserved ON/OFF

Display Status 2

- Any Fault ON/OFF
- CAL Active ON/OFF
- Warm up Mode ON/OFF
- Low Relay Active ON/OFF
- Hi Relay Active ON/OFF
- Aux Relay Active ON/OFF
- Current Fixed ON/OFF
- MB Write Protect ON/OFF

Display Fault 1

- 12V Fault ON/OFF
- 5V Fault ON/OFF
- Reserved ON/OFF
- 1.25V Fault ON/OFF
- Output Loop Fault ON/OFF
- Input Loop Fault ON/OFF
- 0V Fault ON/OFF
- ADC Fault ON/OFF

Display Fault 2

- Low CAL Line Fault ON/OFF
- Reserved ON/OFF
- FRAM Fault ON/OFF
- ADC Diagnostics Fault ON/OFF
- 24V Fault ON/OFF
- Flash Fault ON/OFF
- RAM Fault ON/OFF
- WDT Fault ON/OFF

Detector Electronics

HART 475 Handheld 23-Sep-15 6.39

PROCESS VARS	
USER TEXT	XXXXXX
GAS VALUE	X.XX
HIGH ALARM	Y/N
LOW ALARM	Y/N
AUX ALARM	Y/N
ANALOG INPUT	X.XX MA
ANALOG OUTPUT	X.XX MA
URV	X.XX
LRV	X.XX
FAULT	Y/N

DISPLAY STATUS	
GENERAL INFO	→
FAULT/STATUS	→
HISTORY	→
DISPLAY INFO	→
RS485	→
DEBUG MENU	→

DEVICE STATUS	
PROCESS VARS	→
DEVICE REVIEW	→
PV	X.XX MA
PV LOOP CURRENT	X.XX MA
PV LRV	X.XX
PV URV	X.XX
FAULT/STATUS	→
HIGH FAULT LEVEL	XX.XX
HIGH FAULT	ENABLE/DISABLE
LOW FAULT LEVEL	XX.XX
LOW FAULT	ENABLE/DISABLE

DISPLAY SETUP	
ALARM SETTING	→
MODE SELECT	→
HART OPTION	→
RTC	→
RS485	→
INPUT LOOP CAL	→
CONTRAST CONTRL	→
OUTPUT MODE	→
BACKLIGHT CTRL	→
HEATER CTRL	→
WRITE PROTECT	→
OP FEEDBACK FLT	→
SCROLLING DISPLAY	→
SET SCROLLING RATE	XXX%

DEVICE SETUP	
BASIC SETUP	→
DETAILED SETUP	→
FAULT SETUP	→
UNIT SETUP	→

DISPLAY TEST	
SELF TEST	→
RESPONSE TEST	→
LOOP TEST	→
D/A TRIM	→

DEVICE TEST	
SELF TEST	→
LOOP TEST	→
D/A TRIM	→

LANGUAGE	
ENGLISH	→
SECOND LANGUAGE	→

DEVICE REVIEW	
DISTRIBUTOR	XXXX
PV UNIT	XXXX
PV USL	XXXX
PV LSL	XXXX
PV MIN SPAN	XXXX
PV DAMP	XXXX
PV % RANGE	XXXX
PF TX FUNCTION	XXXX
PV UNIT RANGE	XXXX
PV URV	XXXX
PV LRV	XXXX
PV LOOP CURRENT	XXXX
PV ALARM TYPE	XXXX
PV SENSOR S/N	XXXX
WRITE PROTECT	Y/N
MANUFACTURE	XXXX
DEVICE ID	XXXX
TAG	XXXX
DESCRIPTOR	XXXX
MESSAGE	XXXX
DATE	XXXX
UNIVERSAL REV	XXXX
FIELD DEV REV	XXXX
SOFTWARE REV	XXXX
REQ NO PREAMBLES	XXXX

FAULT/STATUS	
FAULTS	Y/N

PROCESS VARS	
PV	XXXX
PV % RANGE	XXX %
PV LOOP CURRENT	4.00 MA
SENSOR INFO	XXXX
SV	XXXX
TV	XXXX
QV	XXXX

SENSOR INFO	
PV LSL	XXXX
PV USL	XXXX
PV MIN SPAN	XXXX

FAULTS	
HIGH FAULT	ON/OFF
LOW FAULT	ON/OFF

USER TEXT	
ENTER TEXT	XXXX
COPY TAG	XXXX

RANGE VALUES	
PV URV	XXXX
PV LRV	XXXX
PV LSL	XXXX
PV USL	XXXX

DEVICE INFORMATION	
DISTRIBUTOR	XXXX
DEVICE ID	XXXX
TAG	XXXX
DATE	XXXX
WRITE PROTECT	Y/N
DESCRIPTOR	XXXX
MESSAGE	XXXX
PV SNSR S/N	XXXX
FINAL ASSY NUM	XXXX
REVISION #S	→

REVISION #S	
UNIVERSAL REV	XXXX
FLD DEVICE REV	XXXX
SOFTWARE REV	XXXX

SIGNAL CONDITION	
PV DAMP	XXXX
PV URV	XXXX
PV LRV	XXXX
PV TXF FUNCTION	XXXX
PV % RANGE	XXXX

CONDITION OUTPUT	
ANALOG OUTPUT	→
HART OUTPUT	→

LOOP TEST	
SET 4-20 MA	→
3.5 MA	→
4 MA	→
6 MA	→
8 MA	→
10 MA	→
12 MA	→
14 MA	→
16 MA	→
18 MA	→
20 MA	→

D/A TRIM	
ZERO TRIM	→
GAIN TRIM	→

ANALOG OUTPUT	
LOOP CURRENT	XXXX
AO ALARM TYPE	XXXX
LOOP TEST	→
D/A TRIM	→

HART OUTPUT	
REQ NO PRMBLES	XXXX

FAULT/STATUS	
FAULTS	Y/N

FAULTS	
HIGH FAULT	ON/OFF
LOW FAULT	ON/OFF

ALARM SETTING	
RST LATCH ALARMS	→
HGH ALARM LEVEL	XX.XX
HGH ALARM LATCH	Y/N
HGH ALARM NE/ND	→
LOW ALARM LEVEL	XX.XX
LOW ALARM LATCH	Y/N
LOW ALARM NE/ND	→
AUX ALARM LEVEL	XX.XX
AUX ALARM LATCH	Y/N
AUX ALARM NE/ND	→

HGH ALARM NE/NDE	
NE-NORMALY ENERGIZED	→
NDE-NORMALY DEENERGIZED	→

LOW ALARM NE/NDE	
NE-NORMALY ENERGIZED	→
NDE-NORMALY DEENERGIZED	→

AUX ALARM NE/NDE	
NE-NORMALY ENERGIZED	→
NDE-NORMALY DEENERGIZED	→

MODE SELECT	
HART DEVICE	→
PIR9400	→
PIRDUCT	→
C706X	→
505	→
NTMOS	→
CGS	→
GENERIC DEVICE	→

HART OPTION	
TAG	XXXXX
LONG TAG	XXXXX
DESCRIPTOR	XXXXX
DATE	DD/MMM/YYYY
MESSAGE	XXXXX
FINAL ASSY NUM	XXXXX

RTC	
DISPLAYED	Y/N
SECONDS	XX
MINUTES	XX
HOURS	XX
DAY	XX
MONTH	XX
YEAR	XX

RS485	
BAUD RATE	→
PARITY	→
POLL ADDRESS	XXXX

BAUD RATE	
1200	→
2400	→
4800	→
9600	→
19.2K	→

PARITY	
NONE	→
EVEN	→
ODD	→

OUTPUT MODE	
STANDARD	→
REPLICATE	→

BACKLIGHT CTRL	
OFF	→
ON	→
AUTOMATIC	→

HEATER CTRL	
AUTOMATIC	→
OFF	→

WRITE PROTECT	
CHANGE STATE	→
CHANGE PASSWORD	→
WRITE PROTECT	XXXX

OP FEEDBACK FLT	
OFF	→
ON	→

SCROLLING DISPLAY	
DISABLED	→
ENABLED	→

GENERAL INFO	
MANUFACTURER	→
MODEL	UD-10
TAG	XXXXX
LONG TAG	XXXXXX
DESCRIPTOR	XXXXX
DATE	DD/MMM/YYYY
MESSAGE	XXXXXX
FINAL ASSY NUM	XXXXXX
DEVICE ID	XXXXXX

DETTRONICS	
6901 WEST 110TH STREET	→
MINNEAPOLIS, MN 55438	→
USA	→

FAULT/STATUS	
OP MODE	XXXXXX
FAULT	Y/N
STATUS	Y/N

FAULT	
LOW CAL LINE	ON/OFF
EE FAULT	ON/OFF
ADC FAULT	ON/OFF
24V FAULT	ON/OFF
FLASH FAULT	ON/OFF
RAM FAULT	ON/OFF
WDT FAULT	ON/OFF
12V FAULT	ON/OFF
5V FAULT	ON/OFF
1.25V FAULT	ON/OFF
O/P LOOP FAULT	ON/OFF
INPUT LOOP FAULT	ON/OFF
0V FAULT	ON/OFF
ADC REF FAULT	ON/OFF

STATUS	
ANY FAULT	ON/OFF
CAL ACTIVE	ON/OFF
WARM UP	ON/OFF
LOW RELAY ACTIVE	ON/OFF
HI RELAY ACTIVE	ON/OFF
AUX RELAY ACTIVE	ON/OFF
CURRENT FIXED	ON/OFF
MB WRITE PROTECT	ON/OFF
HART SELF TEST	ON/OFF
LON ATTACHED	ON/OFF
RESPONSE TEST	ON/OFF
MANUAL SELF TEST	ON/OFF
INPUT HART	ON/OFF

DISPLAY HISTORY	
RUNNING HOURS	XXXX
MAX TEMP	XX.XX C
MAX TEMP TIME	XX:XX:XX
MIN TEMP	XX.XX C
MIN TEMP TIME	XX:XX:XX
RESET MAX MIN	→
MAX RESET TEMP	XX.XX C
MAX RESET TIME	XX:XX:XX
MIN RESET TEMP	XX.XX C
MIN RESET TIME	XX:XX:XX

HISTORY	
DISPLAY HISTORY	→
EVENT LOG	→

EVENT LOG	
EVENT	XXXXX
DATE	DD/MMM/YYYY
TIME	HH:MM:SS

DISPLAY INFO	
RTC	→
SERIAL NUMBER	XXXXXX
I/O BOARD ID	XXX
MFG DATE	DD/MM/YYYY
F/W REV	XXXXX
UNIVERSAL REV	XXXXX
FIELD DEV REV	XXXXX
RUNNING HOURS	XXXXX
TEMPERATURE	XX.XX C
HEATER CTRL	AUTO/ON/OFF
BACKLIGHT CTRL	AUTO/ON/OFF
INPUT VOLTAGE	XX.XX

RTC	
DISPLAYED	Y/N
SECONDS	XX
MINUTES	XX
HOURS	XX
DAY	XX
MONTH	XX
YEAR	XX

RS485	
BAUD RATE	XXXXXX
PARITY	XXXXXX
POLL ADDRESS	XXXXXX

DEBUG MENU	
HART ERRORS	XXXXXX
MODBUS ERRORS	XXXXXX
ERROR DETAILS	→
OUTPUT READBACK	XX.XX MA
ANALOG INPUT	XX.XX MA
MAXIMUM CYCLE TIME	XXXXXX
AVERAGE CYCLE TIME	XXXXXX

ERROR DETAILS	
HART MASTER	→
HART SLAVE	→
MODBUS	→

Detector Electronics		
GENERIC HART	23-Sep-15	6.39

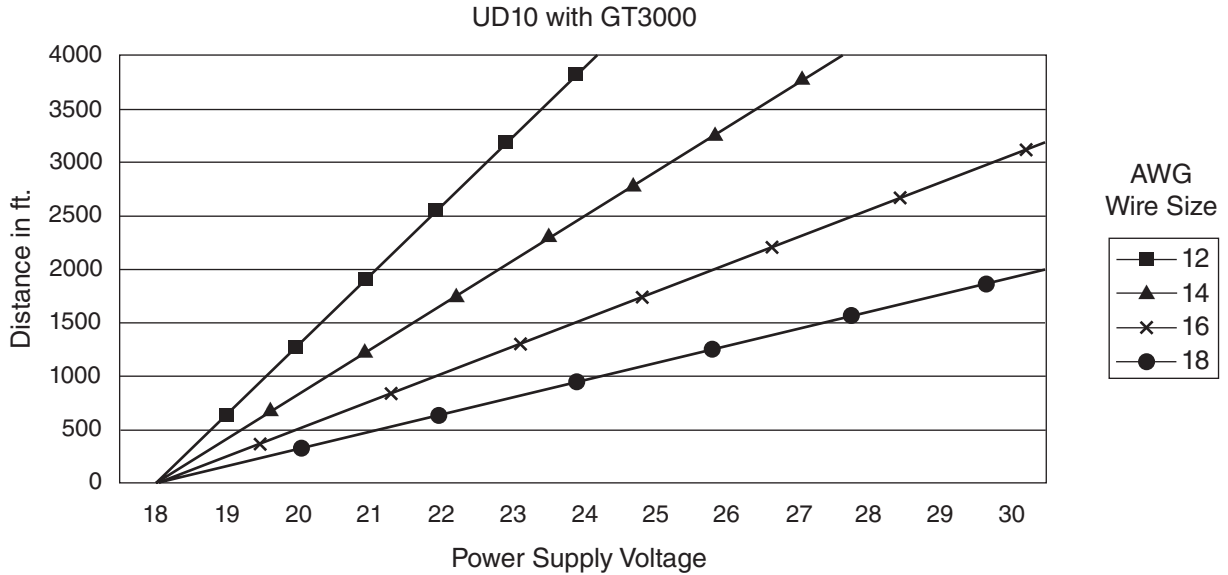
APPENDIX G

UD10 with GT3000 TOXIC GAS DETECTOR

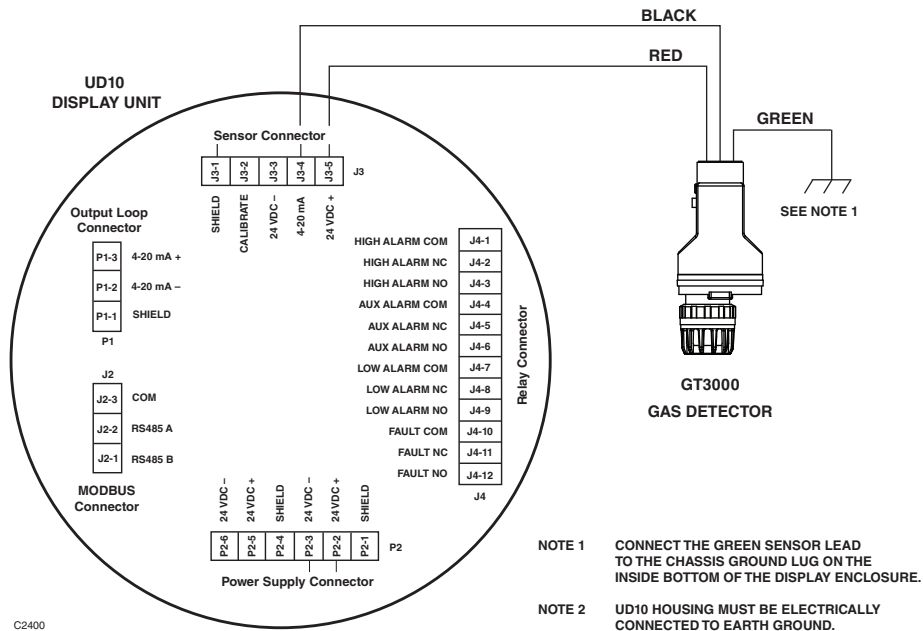
NOTE

For complete information regarding the GT3000 Gas Detector, refer to instruction manual 95-8616.

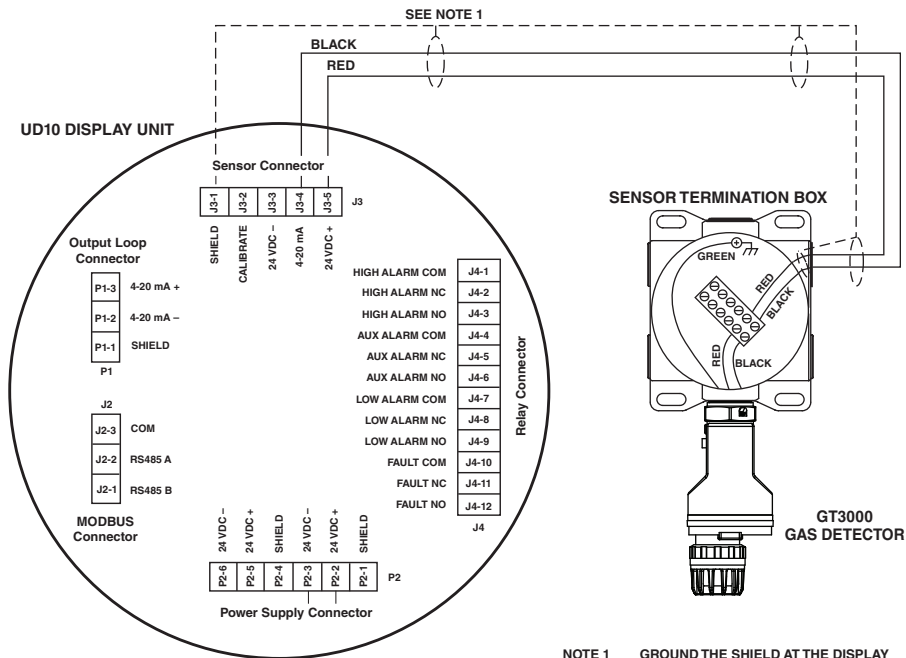
WIRING



Notes: Maximum recommended cable length from power source to UD10 is 2000 feet.
Maximum recommended cable length from UD10 to sensor/STB termination box is 2000 feet.



GT3000 Detector Wired Directly to UD10



C2401

- NOTE 1 GROUND THE SHIELD AT THE DISPLAY UNIT END ONLY.
- NOTE 2 HOUSINGS MUST BE ELECTRICALLY CONNECTED TO EARTH GROUND.

UD10 Wired to GT3000 Detector with Sensor Termination Box

ORIENTATION

The device must be mounted in a vertical position only, with the GT3000 pointing down.



LIVE MAINTENANCE

NOTE

The sensor module on the GT3000 Gas Detector can be hot swapped, i.e., replaced without removing power or de-classifying the area. To replace a GTX Transmitter connected to the UD10 with a new transmitter or a different detector type, the area **must** be de-classified.

NOTE

Removing the sensor module with power applied will result in a fault condition until a new sensor module of the same type is installed. When replacing an oxygen sensor, this action will also result in an alarm condition as the decreasing 4-20 mA signal passes through the alarm range. Inhibit response devices to prevent unwanted actuation.

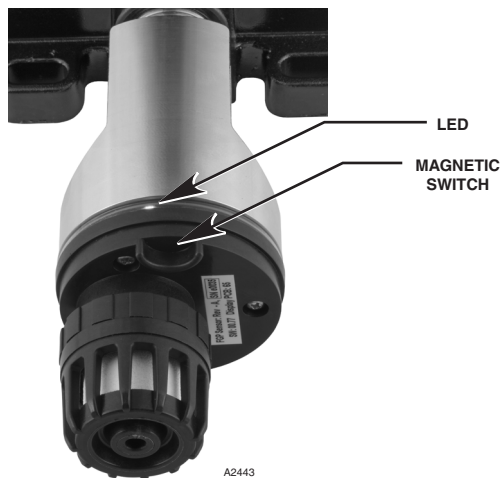
For complete information regarding sensor replacement with the GT3000 Gas Detector, refer to the GT3000 instruction manual, number 95-8616.

CALIBRATION

GT3000 WITH TOXIC GAS SENSOR

From GT3000:

- Using the magnet, activate the magnetic calibration switch on the GT3000. The green LED turns to yellow.

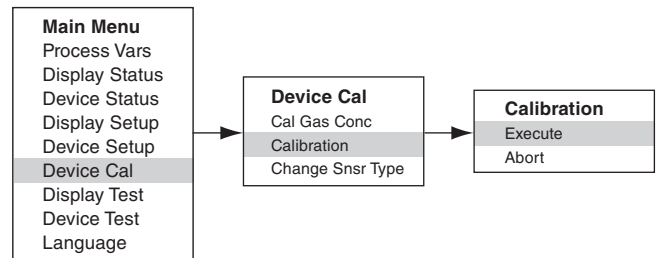


Location of Magnetic Switch on GT3000

- The UD10 will display “Waiting for Zero” on the main display screen, with the yellow LED on the detector housing illuminated continuously.
- The UD10 will then display “Waiting for Signal” on the screen, while the yellow LED on the detector is flashing. The device automatically performs the zero calibration.
- The UD10 will display “Waiting for Gas” on the screen, while the yellow LED on the detector is flashing.
- Apply calibration gas to the sensor.
- The UD10 will display “Waiting for Span” on the screen, while the yellow LED on the detector is flashing.
- When the UD10 displays “Remove Cal Gas” on the screen and all LEDs on the detector housing are off, remove the calibration gas.
- After successful calibration, the UD10 automatically returns to the normal display with the green LED illuminated on the detector.

From UD10

- Using the magnet to activate the switches on the UD10 display, navigate to the Calibration menu.



- Activate “Execute” (Enter/Select) to start calibration.
- The UD10 will display “Waiting for Zero” on the main display screen, with the yellow LED on the detector housing illuminated continuously. The device automatically performs the zero calibration.
- The UD10 will then display “Waiting for Gas” on the screen, while the yellow LED on the detector is flashing.
- Apply calibration gas to the sensor.
- The UD10 will display “Waiting for Span” on the screen, while the yellow LED on the detector is flashing.
- When the UD10 displays “Remove Cal Gas” on the screen and the LEDs on the detector housing are off, remove the calibration gas.
- After completion of a successful calibration, the UD10 automatically returns to the normal mode with the green LED illuminated on the detector.

UD10 mA Output During Calibration (UD10 with GT3000)		
UD10 Display Reading	Standard Mode	Replicate Mode
Waiting for Zero	3.8	3.8
Waiting for Gas	3.8	3.8
Waiting for Span	3.8	3.8
Remove Cal Gas	3.8	3.8
Back to Normal	4.0	4.0

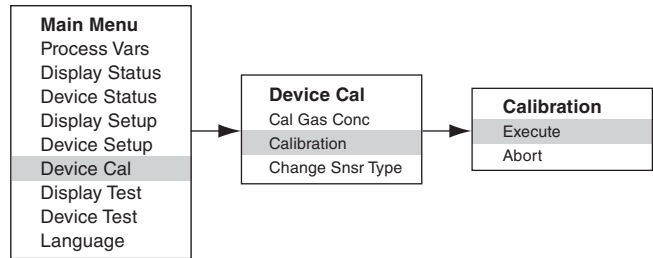
GT3000 WITH OXYGEN SENSOR

From GT3000:

1. Using the magnet, activate the magnetic calibration switch on the GT3000. The green LED turns to yellow.
2. The device automatically performs the zero calibration. The yellow LED on the GT3000 is on continuously. The UD10 displays "Waiting for Zero" on the main display screen.
3. When the yellow LED on the GT3000 flashes, the device automatically performs the span calculation. If using bottled 20.9% oxygen, apply immediately. The UD10 displays "Waiting for Span" on the screen.
4. After successful calibration, the green LED on the GT3000 is on continuously and the UD10 automatically returns to the normal display. Remove calibration gas (if used).

From UD10

1. Using the magnet to activate the switches on the UD10 display, navigate to the "Calibration" menu.



2. Activate "Execute" (Enter/Select) to start calibration.
3. The UD10 will display "Waiting for Zero" on the main display screen, with the yellow LED on the detector housing illuminated continuously. The device automatically performs the zero calibration.
4. When the UD10 displays "Waiting for Span" on the screen and the yellow LED on the detector is flashing, the device automatically performs the span calculation. If using bottled 20.9% oxygen, apply immediately.
5. After completion of a successful calibration, the UD10 automatically returns to the normal mode with the green LED illuminated on the detector. Remove calibration gas (if used).

MENU STRUCTURE

UD10 with GT3000 Detector

Refer to the following menu when using the UD10's LCD display and internal magnetic switches.

When connecting a HART Communicator to the UD10's 4-20 mA output, refer to the "UD10 HART Handheld" menu in Appendix F.

MENU HELP

Status menus only allow the user to view the data. The Setup menus allow the user to both view and edit the data.

MAIN MENU

- PROCESS VARS →
- DISPLAY STATUS →
- DEVICE STATUS →
- DISPLAY SETUP →
- DEVICE SETUP →
- DEVICE CAL →
- DISPLAY TEST →
- DEVICE TEST →
- LANGUAGE →

PROCESS VARS

GAS NAME	XXXXX
GAS VALUE	X.XX
HIGH ALARM	Y/N
LOW ALARM	Y/N
AUX ALARM	Y/N
ANALOG INPUT	X.XX MA
ANALOG OUTPUT	X.XX MA
URV	X.XX
LRV	X.XX
FAULT	Y/N

DISPLAY STATUS

- GENERAL INFO →
- FAULT/STATUS →
- HISTORY →
- DISPLAY INFO →
- RS485 →
- DEBUG MENU →

DEVICE STATUS

- GENERAL INFO →
- FAULT/STATUS →
- TX INFO →
- SENSOR INFO →
- HISTORY →
- DEBUG MENU →

DISPLAY SETUP

- ALARM SETTING →
- MODE SELECT →
- HART OPTION →
- RTC →
- RS485 →
- INPUT LOOP CAL →
- CONTRAST CONTRL →
- OUTPUT MODE →
- BACKLIGHT CTRL →
- HEATER CTRL →
- WRITE PROTECT →
- OP FEEDBACK FLT →
- SCROLLING DISPLAY →
- SET SCROLLING RATE XXX%

DEVICE SETUP

- DEVICE OPTION →
- HART OPTION →
- RTC →
- WRITE PROTECT →

DEVICE CAL

CAL GAS CONC	XX.XX
CALIBRATION	→
CHANGE SNSR TYPE	

DISPLAY TEST

- SELF TEST →
- RESPONSE TEST →
- LOOP TEST →
- D/A TRIM →

DEVICE TEST

- SELF TEST →
- RESPONSE TEST →
- LOOP TEST →
- D/A TRIM →

LANGUAGE

- ENGLISH
- SECOND LANGUAGE

ALARM SETTING

RST LATCH ALARMS	
HGH ALARM LEVEL	XX.XX
HGH ALARM LATCH	Y/N
HGH ALARM NE/ND	→
LOW ALARM LEVEL	XX.XX
LOW ALARM LATCH	Y/N
LOW ALARM NE/ND	→
AUX ALARM LEVEL	XX.XX
AUX ALARM LATCH	Y/N
AUX ALARM NE/ND	→

HIGH ALARM NE/DE

NE-NORMALY ENERGIZED
NDE-NORMALY DEENERGIZED

LOW ALARM NE/DE

NE-NORMALY ENERGIZED
NDE-NORMALY DEENERGIZED

AUX ALARM NE/DE

NE-NORMALY ENERGIZED
NDE-NORMALY DEENERGIZED

MODE SELECT

HART DEVICE
PIR9400
PIRDUCT
C706X
505
NTMOS
CGS
GENERIC DEVICE

HART OPTION

TAG	XXXXX
LONG TAG	XXXXX
DESCRIPTOR	XXXXX
DATE	XXXXX
MESSAGE	XXXXX
FINAL ASSY NUM	XXXXX

RTC

DISPLAYED	Y/N
SECONDS	XX
MINUTES	XX
HOURS	XX
DAY	XX
MONTH	XX
YEAR	XX

RS485

- BAUD RATE →
- PARITY →
- POLL ADDRESS XXXX

OUTPUT MODE

STANDARD
REPLICATE

BACKLIGHT CTRL

OFF
ON
AUTOMATIC

HEATER CTRL

AUTOMATIC
OFF

WRITE PROTECT

CHANGE STATE
CHANGE PASSWORD
WRITE PROTECT XXXX

OP FEEDBACK FLT

OFF
ON

SCROLLING DISPLAY

DISABLED
ENABLED

DEVICE OPTION

GAS NAME	XXXX
UNIT OF MEASURE	→
URV	XXXX
LRV	XXXX
USL	XXXX
LSL	XXXX

HART OPTION

TAG	XXXXX
DESCRIPTOR	XXXXX
DATE	DD/MMM/YYYY
MESSAGE	XXXX
FINAL ASSY NUM	XXXX

RTC

SYNC W/DISP	XX
SECONDS	XX
MINUTES	XX
HOURS	XX
DAY	XX
MONTH	XX
YEAR	XX

WRITE PROTECT

CHANGE STATE
CHANGE PASSWORD
WRITE PROTECT XXXX

CALIBRATION

EXECUTE
ABORT

UNIT OF MEASURE

PPM
%
MGM3

LOOP TEST

SET 4-20 MA →

D/A TRIM

ZERO TRIM
GAIN TRIM

SET 4-20 MA

3.5 MA
4 MA
6 MA
8 MA
10 MA
12 MA
14 MA
16 MA
18 MA
20 MA

LOOP TEST

SET 4-20 MA →

D/A TRIM

ZERO TRIM
GAIN TRIM

SET 4-20 MA

3.5 MA
4 MA
6 MA
8 MA
10 MA
12 MA
14 MA
16 MA
18 MA
20 MA

GENERAL INFO

MANUFACTURER	→
MODEL	FGP_TX
TAG	XXXXX
DESCRIPTOR	XXXXX
DATE	DD/MMM/YYYY
MESSAGE	XXXXX
FINAL ASSY NUM	XXXXX
DEVICE ID	XXXXX

DET-TRONICS

6901 WEST 110TH STREET
MINNEAPOLIS, MN 55438
USA

FAULT/STATUS

OP MODE	XXXXX
CAL STATE	XXXXX
TX STATUS	Y/N
TX FAULT	Y/N
SENSOR STATUS	Y/N
SENSOR FAULT	Y/N

TX INFO

RTC	→
SERIAL NUMBER	XXXXX
H/W REV	XX.XX
F/W REV	XX.XX
UNIVERSAL REV	XXXXX
FIELD DEV REV	XXXXX
S/W REV	XX.XX
RUNNING HOURS	XXXXX
TEMPERATURE	XX.XXC

RTC

SECONDS	XX
MINUTES	XX
HOURS	XX
DAY	XX
MONTH	XX
YEAR	XX

SENSOR INFO

SENSITIVITY	XXXXX
GAS TYPE	XXXXX
SERIAL NUMBER	XXXXX
H/W REV	XX.XX
F/W REV	XX.XX
REV	XXXXX
USL	XX.XX
LSL	XX.XX
RUNNING HOURS	XXXXXX
CAL POINT ZERO	XX.XX
CAL POINT SPAN	XX.XX
PPM HOURS	XXXXX
TEMPERATURE	XX.XXC

HISTORY

- TX HISTORY →
- SENSOR HISTORY →
- CALIBRATION LOG →
- EVENT LOG →

DEBUG MENU

MODBUS ERRORS XXXX

BAUD RATE

1200
2400
4800
9600
19.2K

PARITY

NONE
EVEN
ODD

TX HISTORY

RUNNING HOURS	XX:XX:XX
MAX TEMP	XX.XX C
MAX TEMP TIME	XX:XX:XX
MIN TEMP	XX.XX C
MIN TEMP TIME	XX:XX:XX

SENSOR HISTORY

RUNNING HOURS	XXXX
MAX TEMP	XX.XX C
MAX TEMP TIME	XX:XX:XX
MIN TEMP	XX.XX C
MIN TEMP TIME	XX:XX:XX
RESET MAX MIN	XX.XX C
MAX RESET TEMP	XX.XX C
MIN RESET TEMP	XX.XX C

CALIBRATION LOG

CAL ID	XXX
DATE	DD/MMM/YYYY
TIME	HH:MM:SS
ZERO	XX.XX
SPAN	XX.XX

EVENT LOG

EVENT	XXXXX
DATE	DD/MMM/YYYY
TIME	HH:MM:SS

TX STATUS

TX FAULT	ON/OFF
WARM UP	ON/OFF
CHANGE CONFIG	ON/OFF
MULTI DROP	ON/OFF
SELF TEST	ON/OFF
RESPONSE TEST	ON/OFF
CURRENT FIXED	ON/OFF
LOOP TEST	ON/OFF
FACTORY MODE	ON/OFF
SNSR ASSY REMOVE	ON/OFF

TX FAULT

EE FAULT	ON/OFF
ADC FAULT	ON/OFF
DAC FAULT	ON/OFF
LOW VOLTAGE	ON/OFF
FLASH CRC FAULT	ON/OFF
RAM FAULT	ON/OFF
TEMP FAULT	ON/OFF
SOFTWARE FAULT	ON/OFF
EE SAFETY FAULT	ON/OFF
ZERO DRIFT FAULT	ON/OFF
SENSOR MISMATCH	ON/OFF
SENSOR FAULT	ON/OFF

SENSOR STATUS

SENSOR FAULT	ON/OFF
WARM UP	ON/OFF
CAL ACTIVE	ON/OFF
CAL SWITCH	ON/OFF
WRITE PROTECT	ON/OFF
EOL SENSOR	ON/OFF
CHANGE CONFIG	ON/OFF

SENSOR FAULT

CAL FAULT	ON/OFF
EE FAULT	ON/OFF
ADC FAULT	ON/OFF
ADC CNTR FAULT	ON/OFF
3V FAULT	ON/OFF
ZERO DRIFT FAULT	ON/OFF
FLASH CRC FAULT	ON/OFF
RAM FAULT	ON/OFF
TEMP FAULT	ON/OFF
COMM FAULT	ON/OFF
CELL MISSING FLT	ON/OFF

GENERAL INFO

MANUFACTURER	→
MODEL	UD-10
TAG	XXXXX
LONG TAG	XXXXXX
DESCRIPTOR	XXXXX
DATE	DD/MMM/YYYY
MESSAGE	XXXXX
FINAL ASSY NUM	XXXXX
DEVICE ID	XXXXX

DET-TRONICS

6901 WEST 110TH STREET
MINNEAPOLIS, MN 55438
USA

FAULT/STATUS

OP MODE	XXXXX
FAULT	Y/N
STATUS	Y/N

FAULT

LOW CAL LINE	ON/OFF
EE FAULT	ON/OFF
ADC FAULT	ON/OFF
24V FAULT	ON/OFF
FLASH FAULT	ON/OFF
RAM FAULT	ON/OFF
WDT FAULT	ON/OFF
12V FAULT	ON/OFF
5V FAULT	ON/OFF
1.25V FAULT	ON/OFF
O/P LOOP FAULT	ON/OFF
INPUT LOOP FAULT	ON/OFF
0V FAULT	ON/OFF
ADC REF FAULT	ON/OFF

STATUS

ANY FAULT	ON/OFF
CAL ACTIVE	ON/OFF
WARM UP	ON/OFF
LOW RELAY ACTIVE	ON/OFF
HI RELAY ACTIVE	ON/OFF
AUX RELAY ACTIVE	ON/OFF
CURRENT FIXED	ON/OFF
MB WRITE PROTECT	ON/OFF
HART SELF TEST	ON/OFF
LON ATTACHED	ON/OFF
RESPONSE TEST	ON/OFF
MANUAL SELF TEST	ON/OFF
INPUT HART	ON/OFF

HISTORY

- DISPLAY HISTORY →
- EVENT LOG →

DISPLAY HISTORY

RUNNING HOURS	XXXX
MAX TEMP	XX.XX C
MAX TEMP TIME	XX:XX:XX
MIN TEMP	XX.XX C
MIN TEMP TIME	XX:XX:XX
RESET MAX MIN	
MAX RESET TEMP	XX.XX C
MAX RESET TIME	XX:XX:XX
MIN RESET TEMP	XX.XX C
MIN RESET TIME	XX:XX:XX

DISPLAY INFO

RTC	→
SERIAL NUMBER	XXXXX
I/O BOARD ID	XXX
MFG DATE	DD/MM/YYYY
F/W REV	XXXXX
UNIVERSAL REV	XXXXX
FIELD DEV REV	XXXXX
RUNNING HOURS	XXXXX
TEMPERATURE	XX.XX C
HEATER CTRL	AUTO/ON/OFF
BACKLIGHT CTRL	AUTO/ON/OFF
INPUT VOLTAGE	XX.XX

EVENT LOG

EVENT	XXXXX
DATE	DD/MMM/YYYY
TIME	HH:MM:SS

RS485

BAUD RATE	XXXXX
PARITY	XXXXX
POLL ADDRESS	XXXXX

RTC

DISPLAYED	Y/N
SECONDS	XX
MINUTES	XX
HOURS	XX
DAY	XX
MONTH	XX
YEAR	XX

DEBUG MENU

HART ERRORS	XXXXX
MODBUS ERRORS	XXXXX
ERROR DETAILS	→
OUTPUT READBACK	XX.XX MA
ANALOG INPUT	XX.XX MA
MAXIMUM CYCLE TIME	XXXXX
AVERAGE CYCLE TIME	XXXXX

ERROR DETAILS

- HART MASTER →
- HART SLAVE →
- MODBUS →

Detector Electronics

GT3000	23-Sep-15	6.39
--------	-----------	------

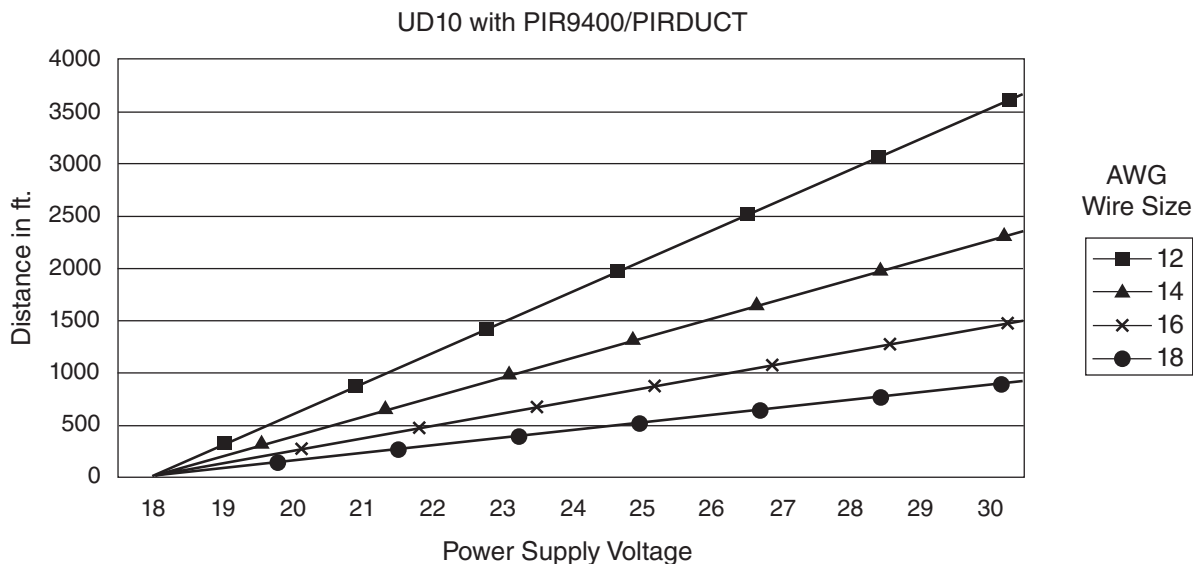
APPENDIX H

UD10 with PIR9400 POINTWATCH IR GAS DETECTOR

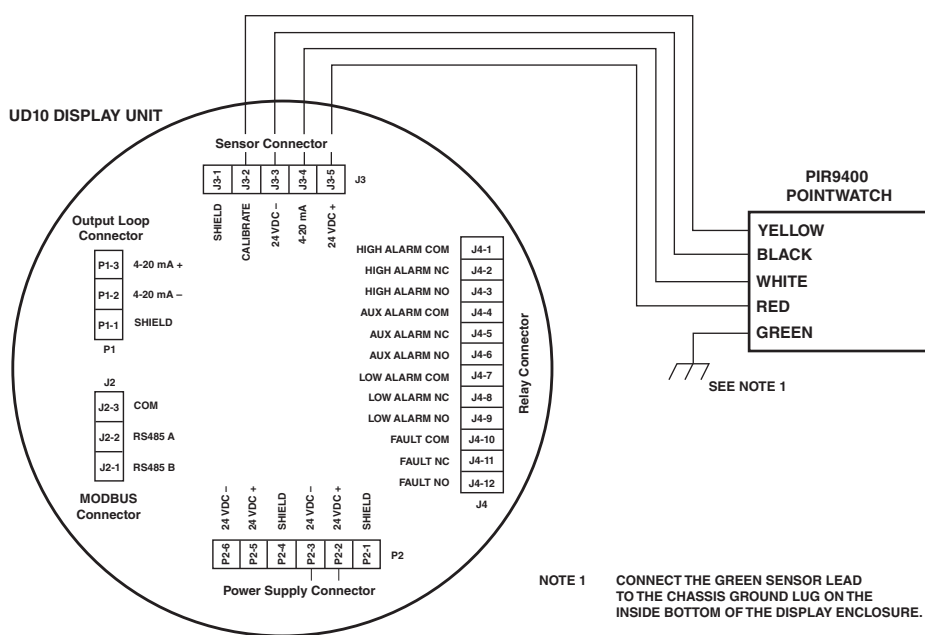
NOTE

For complete information regarding the PIR9400 Gas Detector, refer to instruction manual 95-8440.

WIRING



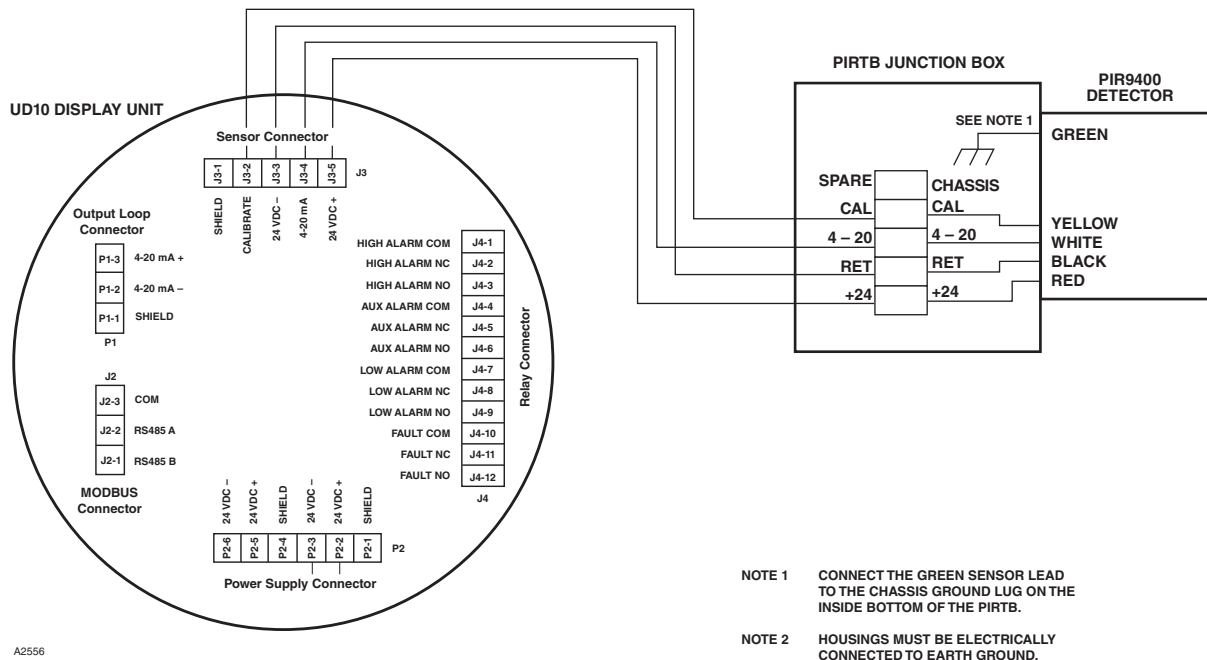
Notes: Maximum recommended cable length from power source to UD10 is 2000 feet.
Maximum recommended cable length from UD10 to PIR9400/PIRTB termination box is 2000 feet.



NOTE 1 CONNECT THE GREEN SENSOR LEAD TO THE CHASSIS GROUND LUG ON THE INSIDE BOTTOM OF THE DISPLAY ENCLOSURE.

NOTE 2 UD10 HOUSING MUST BE ELECTRICALLY CONNECTED TO EARTH GROUND.

PIR9400 Wired Directly to UD10



UD10 Wired to PIR9400 with PIRTB Termination Box

INSTALLATION NOTES

IMPORTANT

Hydrocarbon-based grease emits hydrocarbon vapors that will be measured by PointWatch, resulting in inaccurate gas level readings. Use only low vapor pressure Lubriplate grease or Teflon tape on the PointWatch detector and associated termination box. Do not get grease on the optics of the detector. A suitable grease is listed in the "Ordering Information" section of this manual.

IMPORTANT

In applications where both PointWatch and catalytic type sensors are used, ensure that the grease used to lubricate the PointWatch detector threads does not come into contact with the catalytic sensors, since poisoning of the catalytic sensors could result. It is strongly recommended that maintenance personnel wash their hands between handling the two types of sensors.

ORIENTATION

It is highly recommended that the PIR9400 be installed in the horizontal position. The detector is not position-sensitive in terms of its ability to detect gas. However, the weather baffle assembly provides superior performance when installed in a horizontal position. See illustration below.



MENU STRUCTURE

UD10 with PIR9400 PointWatch Detector

Refer to the following menu when using the UD10's LCD display and internal magnetic switches.

When connecting a HART Communicator to the UD10's 4-20 mA output, refer to the "UD10 HART Handheld" menu in Appendix F.

MENU HELP

Status menus only allow the user to view the data.

The Setup menus allow the user to both view and edit the data.

PROCESS VARS	
GAS NAME	XXXX
GAS VALUE	X.XX
HIGH ALARM	Y/N
LOW ALARM	Y/N
AUX ALARM	Y/N
ANALOG INPUT	X.XX MA
ANALOG OUTPUT	X.XX MA
URV	X.XX
LRV	X.XX
FAULT	Y/N

DISPLAY STATUS	
GENERAL INFO	→
FAULT/STATUS	→
HISTORY	→
DISPLAY INFO	→
RS485	→
DEBUG MENU	→

DEVICE STATUS	
DEVICE INFO	→
FAULT/STATUS	→
CALIBRATION LOG	→

DISPLAY SETUP	
ALARM SETTING	→
MODE SELECT	→
HART OPTION	→
RTC	→
RS485	→
INPUT LOOP CAL	→
CONTRAST CONTRL	→
OUTPUT MODE	→
BACKLIGHT CTRL	→
HEATER CTRL	→
WRITE PROTECT	→
OP FEEDBACK FLT	→
SCROLLING DISPLAY	→
SET SCROLLING RATE	XXX%

DEVICE SETUP	
DEVICE OPTION	→

DEVICE CAL	
CALIBRATION	→
CAL GAS CONC	XX.XX

DISPLAY TEST	
SELF TEST	→
RESPONSE TEST	→
LOOP TEST	→
D/A TRIM	→

LANGUAGE	
ENGLISH	→
SECOND LANGUAGE	→

DEVICE INFO	
MANUFACTURER	→
MODEL	PIR9400
GAS NAME	XXXXX
UNIT OF MEASURE	XXXXX
URV	XX.XX
LRV	XX.XX

FAULTS/ STATUS	
FAULTS	Y/N

CALIBRATION LOG	
CAL ID	XXXX
DATE	DD/MMM/YYYY
TIME	HH:MM:SS
ZERO	XXXX
SPAN	XXXX

DEVICE OPTION	
GAS TYPE	→
GAS NAME	XXXXXX
UNIT OF MEASURE	%FL
URV	XX.XX
LRV	XX.XX

CALIBRATION	
EXECUTE	→
ABORT	→

LOOP TEST	
SET 4-20 MA	→

D/A TRIM	
ZERO TRIM	→
GAIN TRIM	→

DET-TRONICS	
6901 WEST 110TH STREET MINNEAPOLIS, MN 55438 USA	

FAULTS	
WARM UP	ON/OFF
REF. CHANNEL FLT	ON/OFF
ACT CHANNEL FLT	ON/OFF
STARTUP CAL FLT	ON/OFF
24 V FAULT	ON/OFF
BLOCK OPTICS	ON/OFF
CAL FAULT	ON/OFF
LOW FAULT	ON/OFF
HIGH FAULT	ON/OFF

GAS TYPE	
METHANE	→
ETHANE	→
PROPANE	→
PROPYLENE	→
ETHYLENE	→

SET 4-20 MA	
3.5MA	→
4 MA	→
6 MA	→
8 MA	→
10 MA	→
12 MA	→
14 MA	→
16 MA	→
18 MA	→
20 MA	→

ALARM SETTING	
RST LATCH ALARMS	XX.XX
HGH ALARM LEVEL	Y/N
HGH ALARM LATCH	→
HGH ALARM NE/ND	XX.XX
LOW ALARM LEVEL	Y/N
LOW ALARM LATCH	→
LOW ALARM NE/ND	XX.XX
AUX ALARM LEVEL	Y/N
AUX ALARM LATCH	→
AUX ALARM NE/ND	→

HGH ALARM NE/NDE	
NE-NORMALY ENERGIZED	→
NDE-NORMALY DEENERGIZED	→

LOW ALARM NE/NDE	
NE-NORMALY ENERGIZED	→
NDE-NORMALY DEENERGIZED	→

AUX ALARM NE/NDE	
NE-NORMALY ENERGIZED	→
NDE-NORMALY DEENERGIZED	→

MODE SELECT	
HART DEVICE	→
PIR9400	→
PIRDUCT	→
C706X	→
505	→
NTMOS	→
CGS	→
GENERIC DEVICE	→

HART OPTION	
TAG	XXXXX
LONG TAG	XXXXX
DESCRIPTOR	XXXXX
DATE	DD/MMM/YYYY
MESSAGE	XXXXX
FINAL ASSY NUM	XXXXX

RTC	
DISPLAYED	Y/N
SECONDS	XX
MINUTES	XX
HOURS	XX
DAY	XX
MONTH	XX
YEAR	XX

RS485	
BAUD RATE	→
PARITY	→
POLL ADDRESS	XXXX

BAUD RATE	
1200	→
2400	→
4800	→
9600	→
19.2K	→

PARITY	
NONE	→
EVEN	→
ODD	→

OUTPUT MODE	
STANDARD	→
REPLICATE	→

BACKLIGHT CTRL	
OFF	→
ON	→
AUTOMATIC	→

HEATER CTRL	
AUTOMATIC	→
OFF	→

WRITE PROTECT	
CHANGE STATE	→
CHANGE PASSWORD	→
WRITE PROTECT	XXXX

OP FEEDBACK FLT	
OFF	→
ON	→

SCROLLING DISPLAY	
DISABLED	→
ENABLED	→

GENERAL INFO	
MANUFACTURER	→
MODEL	UD-10
TAG	XXXXX
LONG TAG	XXXXXX
DESCRIPTOR	XXXXX
DATE	DD/MMM/YYYY
MESSAGE	XXXXX
FINAL ASSY NUM	XXXXX
DEVICE ID	XXXXX

DET-TRONICS	
6901 WEST 110TH STREET MINNEAPOLIS, MN 55438 USA	

FAULT/STATUS	
OP MODE	XXXXX
FAULT	Y/N
STATUS	Y/N

FAULT	
LOW CAL LINE	ON/OFF
EE FAULT	ON/OFF
ADC FAULT	ON/OFF
24V FAULT	ON/OFF
FLASH FAULT	ON/OFF
RAM FAULT	ON/OFF
WDT FAULT	ON/OFF
12V FAULT	ON/OFF
5V FAULT	ON/OFF
1.25V FAULT	ON/OFF
O/P LOOP FAULT	ON/OFF
INPUT LOOP FAULT	ON/OFF
0V FAULT	ON/OFF
ADC REF FAULT	ON/OFF

STATUS	
ANY FAULT	ON/OFF
CAL ACTIVE	ON/OFF
WARM UP	ON/OFF
LOW RELAY ACTIVE	ON/OFF
HI RELAY ACTIVE	ON/OFF
AUX RELAY ACTIVE	ON/OFF
CURRENT FIXED	ON/OFF
MB WRITE PROTECT	ON/OFF
HART SELF TEST	ON/OFF
LON ATTACHED	ON/OFF
RESPONSE TEST	ON/OFF
MANUAL SELF TEST	ON/OFF
INPUT HART	ON/OFF

HISTORY	
DISPLAY HISTORY	→
EVENT LOG	→

DISPLAY HISTORY	
RUNNING HOURS	XXXX
MAX TEMP	XX.XX C
MAX TEMP TIME	XX:XX:XX
MIN TEMP	XX.XX C
MIN TEMP TIME	XX:XX:XX
RESET MAX MIN	XX:XX:XX
MAX RESET TEMP	XX.XX C
MAX RESET TIME	XX:XX:XX
MIN RESET TEMP	XX.XX C
MIN RESET TIME	XX:XX:XX

DISPLAY INFO	
RTC	→
SERIAL NUMBER	XXXXX
I/O BOARD ID	XXX
MFG DATE	DD/MM/YYYY
F/W REV	XXXXX
UNIVERSAL REV	XXXXX
FIELD DEV REV	XXXXX
RUNNING HOURS	XXXXX
TEMPERATURE	XX.XX C
HEATER CTRL	AUTO/ON/OFF
BACKLIGHT CTRL	AUTO/ON/OFF
INPUT VOLTAGE	XX.XX

EVENT LOG	
EVENT	XXXXX
DATE	DD/MMM/YYYY
TIME	HH:MM:SS

RS485	
BAUD RATE	XXXXX
PARITY	XXXXX
POLL ADDRESS	XXXXX

RTC	
DISPLAYED	Y/N
SECONDS	XX
MINUTES	XX
HOURS	XX
DAY	XX
MONTH	XX
YEAR	XX

DEBUG MENU	
HART ERRORS	XXXXX
MODBUS ERRORS	XXXXX
ERROR DETAILS	→
OUTPUT READBACK	XX.XX MA
ANALOG INPUT	XX.XX MA
MAXIMUM CYCLE TIME	XXXXX
AVERAGE CYCLE TIME	XXXXX

ERROR DETAILS	
HART MASTER	→
HART SLAVE	→
MODBUS	→

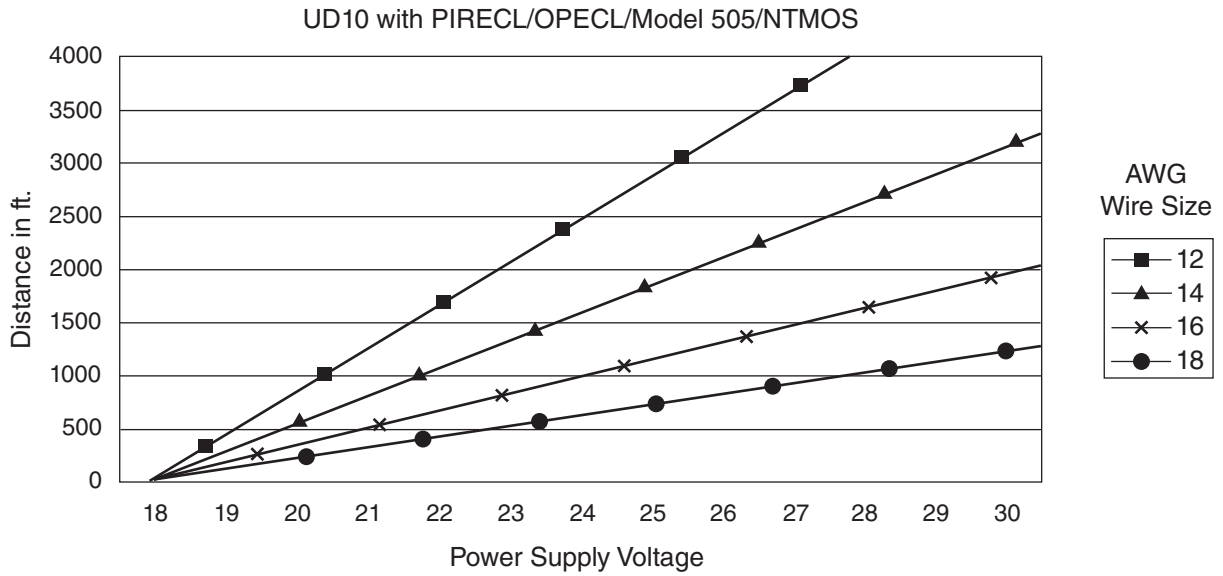
APPENDIX I

UD10 with MODEL PIRECL

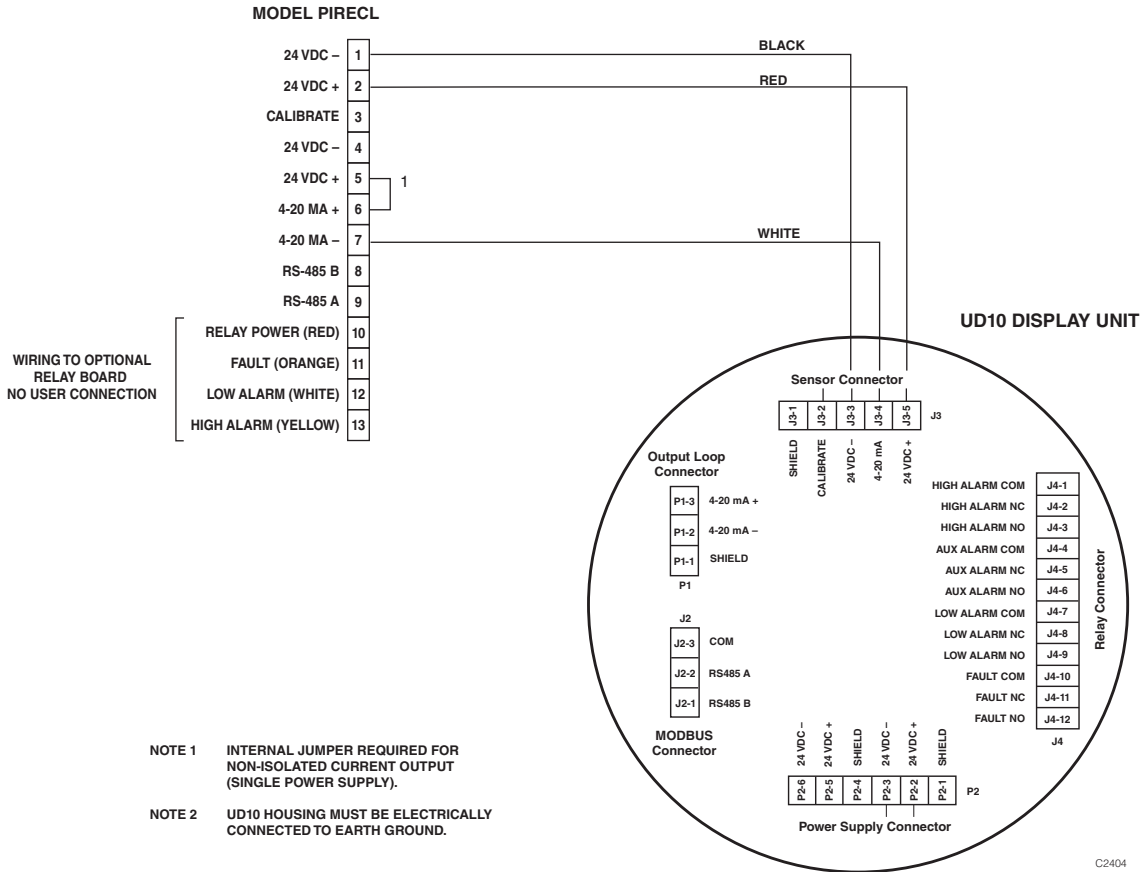
NOTE

For complete information regarding the PIRECL Gas Detector, refer to instruction manual 95-8526.

WIRING



Notes: Maximum recommended cable length from power source to UD10 is 2000 feet.
Maximum recommended cable length from UD10 to detector/STB termination box is 2000 feet.



Model PIRECL Wired Directly to UD10

ORIENTATION

It is highly recommended that the PIRECL be installed in the horizontal position. The detector is not position-sensitive in terms of its ability to detect gas. However, the weather baffle assembly provides superior performance when the PIRECL is installed with the baffle in a horizontal position.



CORRECT

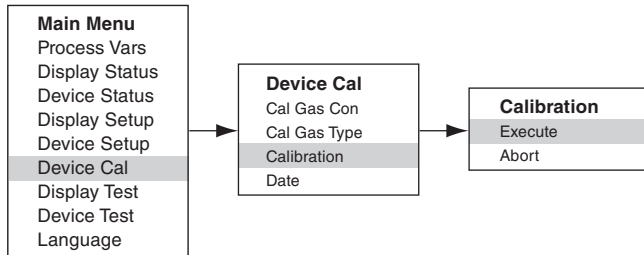


INCORRECT

CALIBRATION

To initiate calibration of the PIRECL from the UD10 Display:

- Using the magnet to activate the switches on the UD10 display, navigate to the "Calibration" menu.

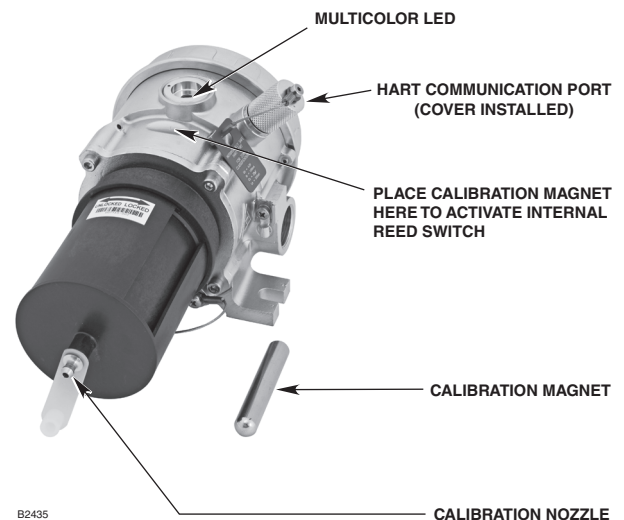


- Activate "Execute" (Enter/Select) to start calibration.
- The UD10 will display "Waiting for Zero" on the main display screen, with a solid red LED on the PIRECL housing illuminated.
- The UD10 will then display "Waiting for Gas" on the screen, while the LED on the PIRECL is flashing red.
- Apply calibration gas to the PIRECL
- The UD10 will display "Waiting for Span" on the screen, while a red flashing LED on the PIRECL housing is illuminated.
- When the UD10 displays "Remove Cal Gas" on the screen and the LED on the PIRECL housing is off, remove the calibration gas.
- After successful calibration, the UD10 automatically returns to the normal display with the green LED illuminated on the PIRECL housing.

To initiate calibration from the PIRECL while monitoring calibration using the UD10 display:

- Using the magnet, activate the magnetic calibration switch on the PIRECL detector. See Figure below. The LED turns from green to red.
- The UD10 will display "Waiting for Zero" on the main display screen, with a solid red LED on the PIRECL housing illuminated.
- The UD10 will then display "Waiting for Gas" on the screen, while the LED on the PIRECL is flashing red.
- Apply calibration gas to the PIRECL detector.
- The UD10 will display "Waiting for Span" on the screen, while a red flashing LED on the PIRECL housing is illuminated.
- When the UD10 displays "Remove Cal Gas" on the screen and the LED on the PIRECL housing is off, remove the calibration gas.
- After successful calibration, the UD10 automatically returns to the normal mode with the green LED illuminated on the PIRECL.

UD10 mA Output During Calibration (UD10 with PIRECL)		
UD10 Display Reading	Standard Mode	Replicate Mode
Waiting for Zero	3.8	2.2
Waiting for Gas	3.8	2.0
Waiting for Span	3.8	2.0
Remove Cal Gas	3.8	1.8
Back to Normal	4.0	4.0



Model PIRECL Gas Detector

MENU STRUCTURE

UD10 with Model PIRECL

Refer to the following menu when using the UD10's LCD display and internal magnetic switches.

When connecting a HART Communicator to the UD10's 4-20 mA output, refer to the "UD10 HART Handheld" menu in Appendix F.

MENU HELP

Status menus only allow the user to view the data.

The Setup menus allow the user to both view and edit the data.

MAIN MENU

- PROCESS VARS →
- DISPLAY STATUS →
- DEVICE STATUS →
- DISPLAY SETUP →
- DEVICE SETUP →
- DEVICE CAL →
- DISPLAY TEST →
- DEVICE TEST →
- LANGUAGE →

PROCESS VARS

GAS NAME	XXXXXX
GAS VALUE	X.XX
HIGH ALARM	Y/N
LOW ALARM	Y/N
AUX ALARM	Y/N
ANALOG INPUT	X.XX MA
ANALOG OUTPUT	X.XX MA
URV	X.XX
LRV	X.XX
FAULT	Y/N

DISPLAY STATUS

- GENERAL INFO →
- FAULT/STATUS →
- HISTORY →
- DISPLAY INFO →
- RS485 →
- DEBUG MENU →

DEVICE STATUS

- GENERAL INFO →
- FAULT/STATUS →
- DEVICE INFO →
- SENSOR INFO →
- HISTORY →

DISPLAY SETUP

- ALARM SETTING →
- MODE SELECT →
- HART OPTION →
- RS485 →
- RTC →
- INPUT LOOP CAL →
- CONTRAST CONTRL →
- OUTPUT MODE →
- BACKLIGHT CTRL →
- HEATER CTRL →
- WRITE PROTECT →
- OP FEEDBACK FLT →
- SCROLLING DISPLAY →
- SET SCROLLING RATE XXX%

DEVICE SETUP

- DEVICE OPTION →
- ALARM SETTING →
- HART OPTION →
- RS485 →
- WRITE PROTECT →

DEVICE CAL

CAL GAS CONC	XX.XX
CAL GAS TYPE	→
CALIBRATION	→
CAL DATE	DD/MMM/YYYY

DISPLAY TEST

- SELF TEST →
- RESPONSE TEST →
- LOOP TEST →
- D/A TRIM →

DEVICE TEST

- SELF TEST →
- RESPONSE TEST →
- LOOP TEST →
- D/A TRIM →

LANGUAGE

- ENGLISH
- SECOND LANGUAGE

ALARM SETTING

RST LATCH ALARMS	XX.XX
HGH ALARM LEVEL	Y/N
HGH ALARM LATCH	→
HGH ALARM NE/ND	XX.XX
LOW ALARM LEVEL	Y/N
LOW ALARM LATCH	→
LOW ALARM NE/ND	XX.XX
AUX ALARM LEVEL	Y/N
AUX ALARM LATCH	→
AUX ALARM NE/ND	XX.XX

DEVICE OPTION

- GAS TYPE →
- UNIT OF MEASURE →
- URV XX.XX
- LRV XX.XX
- USL XX.XX
- LSL XX.XX
- ANALOG CODE VAL →
- ANALOG FLT CODE →

GAS TYPE

- METHANE
- ETHANE
- PROPANE
- ETHYLENE
- PROPYLENE
- BUTANE
- SPECIAL

ALARM SETTING

RST LATCH ALARMS	XX.XX
HGH ALARM LEVEL	Y/N
HGH ALARM LATCH	→
LOW ALARM LEVEL	XX.XX
LOW ALARM LATCH	Y/N

HART OPTION

TAG	XXXXX
LONG TAG	XXXXX
DESCRIPTOR	XXXXX
DATE	DD/MMM/YYYY
MESSAGE	XXXXX
FINAL ASSY NUM	XXXXX

UNIT OF MEASURE

- %LFL
- PPM
- VOL%

ANALOG CODE VAL

WARM UP	XX.XX
BLOCKED OPTIC	XX.XX
CALIBRATION	XX.XX
FAULT	XX.XX

RS485

- BAUD RATE →
- PARITY →
- POLL ADDRESS XXX

ANALOG FAULT CODE

- ECLIPSE
- PIR9400
- USER DEFINED

WRITE PROTECT

- CHANGE STATE
- CHANGE PASSWORD
- WRITE PROTECT XXXX

BAUD RATE

- 1200
- 2400
- 4800
- 9600
- 19.2K

PARITY

- NONE
- EVEN
- ODD

DEVICE CAL

- CAL GAS TYPE →
- SAME AS MEASURE GAS
- METHANE
- PROPANE

CAL GAS TYPE

- SAME AS MEASURE GAS
- METHANE
- PROPANE

CALIBRATION

- EXECUTE
- ABORT

DISPLAY TEST

- SET 4-20 MA →
- D/A TRIM →

LOOP TEST

- SET 4-20 MA →
- D/A TRIM

LOOP TEST

- 3.5MA
- 4-MA
- 6 MA
- 8 MA
- 10 MA
- 12 MA
- 14-MA
- 16-MA
- 18-MA
- 20 MA

DEVICE TEST

- SET 4-20 MA →
- D/A TRIM →

LOOP TEST

- SET 4-20 MA →
- D/A TRIM

SET 4-20 MA

- 3.5 MA
- 4 MA
- 6 MA
- 8 MA
- 10 MA
- 12 MA
- 14 MA
- 16 MA
- 18 MA
- 20 MA

LANGUAGE

- ZERO TRIM
- GAIN TRIM

D/A TRIM

- ZERO TRIM
- GAIN TRIM

HGH ALARM NE/NDE

- NE-NORMALY ENERGIZED
- NDE-NORMALY DEENERGIZED

LOW ALARM NE/NDE

- NE-NORMALY ENERGIZED
- NDE-NORMALY DEENERGIZED

AUX ALARM NE/NDE

- NE-NORMALY ENERGIZED
- NDE-NORMALY DEENERGIZED

MODE SELECT

- HART DEVICE
- PIR9400
- PIRDUCT
- C706X
- 505
- NTMOS
- CGS
- GENERIC DEVICE

HART OPTION

TAG	XXXXX
LONG TAG	XXXXX
DESCRIPTOR	XXXXX
DATE	DD/MMM/YYYY
MESSAGE	XXXXX
FINAL ASSY NUM	XXXXX

RTC

DISPLAYED	Y/N
SECONDS	XXXXX
MINUTES	XXXXX
HOURS	XXXXX
DAY	XXXXX
MONTH	XXXXX
YEAR	XXXXX

RS485

- BAUD RATE →
- PARITY →
- POLL ADDRESS XXXX

OUTPUT MODE

- STANDARD
- REPLICATE

BACKLIGHT CTRL

- OFF
- ON
- AUTOMATIC

HEATER CTRL

- AUTOMATIC
- OFF

WRITE PROTECT

- CHANGE STATE
- CHANGE PASSWORD
- WRITE PROTECT XXXX

OP FEEDBACK FLT

- OFF
- ON

SCROLLING DISPLAY

- DISABLED
- ENABLED

GENERAL INFO

MANUFACTURER	→
MODEL	UD-10
TAG	XXXXX
LONG TAG	XXXXXX
DESCRIPTOR	XXXXX
DATE	DD/MMM/YYYY
MESSAGE	XXXXX
FINAL ASSY NUM	XXXXX
DEVICE ID	XXXXX

DET-TRONICS
6901 WEST 110TH STREET
MINNEAPOLIS, MN 55438
USA

FAULT/STATUS

OP MODE	XXXXX
CAL STATE	XXXXX
FAULT	Y/N
STATUS	Y/N

DEVICE INFO

SERIAL NUMBER	XXXXX
UNIVERSAL REV	XXXXX
FIELD DEV REV	XXXXX
S/W REV	XXXXX

SENSOR INFO

ACTIVE	XX.XX
REFERENCE	XX.XX
RATIO	XX.XX
ABSORPTION	XX.XX
TEMPERATURE	XX.XXC
VOL %	XX.XX
USL	XX.XX
LSL	XX.XX
SPAN FACTOR	XX.XX

HISTORY

- DEVICE HISTORY →
- CALIBRATION LOG →
- EVENT LOG →

BAUD RATE

- 1200
- 2400
- 4800
- 9600
- 19.2K

PARITY

- NONE
- EVEN
- ODD

FAULT

CAL FAULT	ON/OFF
DIRTY OPTICS	ON/OFF
LAMP FAULT	ON/OFF
START CAL FAULT	ON/OFF
EE 1 FAULT	ON/OFF
EE 2 FAULT	ON/OFF
REF ADC SAT	ON/OFF
ACTIVE ADC SAT	ON/OFF
24V FAULT	ON/OFF
12V FAULT	ON/OFF
5V FAULT	ON/OFF
1.25V FAULT	ON/OFF
O/P LOOP FAULT	ON/OFF
INPUT LOOP FAULT	ON/OFF
0V FAULT	ON/OFF
ADC REF FAULT	ON/OFF

STATUS

CAL ACTIVE	ON/OFF
WARM UP	ON/OFF
LOW ALARM	ON/OFF
HIGH ALARM	ON/OFF
HART SELF TEST	ON/OFF
CHANGE CONFIG	ON/OFF

DEVICE HISTORY

RUNNING HOURS	XXXXX
MAX TEMP	XX.XX C
MAX TEMP TIME	XXXX
MIN TEMP	XX.XX C
MIN TEMP TIME	XXXX
RESET MAX MIN	XX.XX C
MAX RESET TEMP	XXXX
MIN RESET TEMP	XX.XX C
MIN RESET TIME	XXXX

CALIBRATION LOG

CAL ID	XXXXX
HOURS	XXXXX

EVENT LOG

EVENT	XXXXX
HOURS	XXXXX

GENERAL INFO

MANUFACTURER	→
MODEL	UD-10
TAG	XXXXX
LONG TAG	XXXXXX
DESCRIPTOR	XXXXX
DATE	DD/MMM/YYYY
MESSAGE	XXXXX
FINAL ASSY NUM	XXXXX
DEVICE ID	XXXXX

DET-TRONICS
6901 WEST 110TH STREET
MINNEAPOLIS, MN 55438
USA

FAULT/STATUS

OP MODE	XXXXX
FAULT	Y/N
STATUS	Y/N

FAULT

LOW CAL LINE	ON/OFF
EE FAULT	ON/OFF
ADC FAULT	ON/OFF
24V FAULT	ON/OFF
FLASH FAULT	ON/OFF
RAM FAULT	ON/OFF
WDT FAULT	ON/OFF
12V FAULT	ON/OFF
5V FAULT	ON/OFF
1.25V FAULT	ON/OFF
O/P LOOP FAULT	ON/OFF
INPUT LOOP FAULT	ON/OFF
0V FAULT	ON/OFF
ADC REF FAULT	ON/OFF

STATUS

ANY FAULT	ON/OFF
CAL ACTIVE	ON/OFF
WARM UP	ON/OFF
LOW RELAY ACTIVE	ON/OFF
HI RELAY ACTIVE	ON/OFF
AUX RELAY ACTIVE	ON/OFF
CURRENT FIXED	ON/OFF
MB WRITE PROTECT	ON/OFF
HART SELF TEST	ON/OFF
LOH ATTACHED	ON/OFF
RESPONSE TEST	ON/OFF
MANUAL SELF TEST	ON/OFF
INPUT HART	ON/OFF

HISTORY

- DISPLAY HISTORY →
- EVENT LOG →

DISPLAY HISTORY

RUNNING HOURS	XXXX
MAX TEMP	XX.XX C
MAX TEMP TIME	XX:XX:XX
MIN TEMP	XX.XX C
MIN TEMP TIME	XX:XX:XX
RESET MAX MIN	XX.XX C
MAX RESET TEMP	XX:XX:XX
MIN RESET TEMP	XX.XX C
MIN RESET TIME	XX:XX:XX

DISPLAY INFO

RTC	→
SERIAL NUMBER	XXXXX
I/O BOARD ID	XXX
MFG DATE	DD/MMM/YYYY
F/W REV	XXXXX
UNIVERSAL REV	XXXXX
FIELD DEV REV	XXXXX
RUNNING HOURS	XXXXX
TEMPERATURE	XX.XX C
HEATER CTRL	AUTO/ON/OFF
BACKLIGHT CTRL	AUTO/ON/OFF
INPUT VOLTAGE	XX.XX

EVENT LOG

EVENT	XXXXX
DATE	DD/MMM/YYYY
TIME	HH:MM:SS

RS485

- BAUD RATE XXXX
- PARITY XXXX
- POLL ADDRESS XXXX

RTC

DISPLAYED	Y/N
SECONDS	XXXXX
MINUTES	XXXXX
HOURS	XXXXX
DAY	XXXXX
MONTH	XXXXX
YEAR	XXXXX

DEBUG MENU

- HART ERRORS XXXXX
- MODBUS ERRORS XXXXX
- ERROR DETAILS →
- OUTPUT READBACK XX.XX MA
- ANALOG INPUT XX.XX MA
- MAXIMUM CYCLE TIME XXXXX
- AVERAGE CYCLE TIME XXXXX

ERROR DETAILS

- HART MASTER →
- HART SLAVE →
- MODBUS →

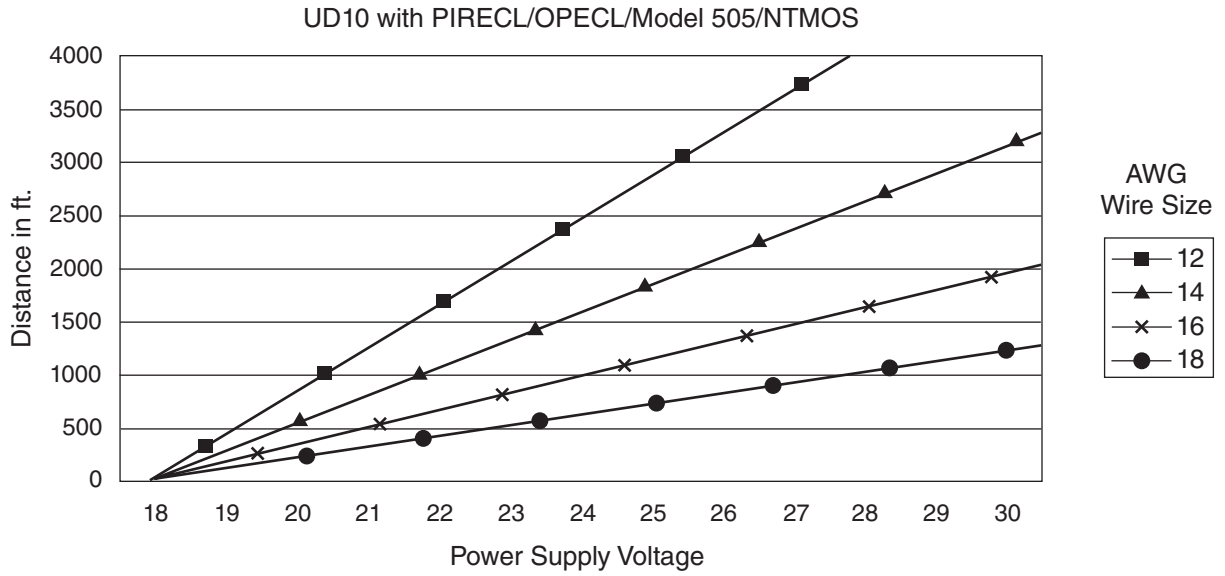
APPENDIX J

UD10 with OPEN PATH ECLIPSE MODEL OPECL

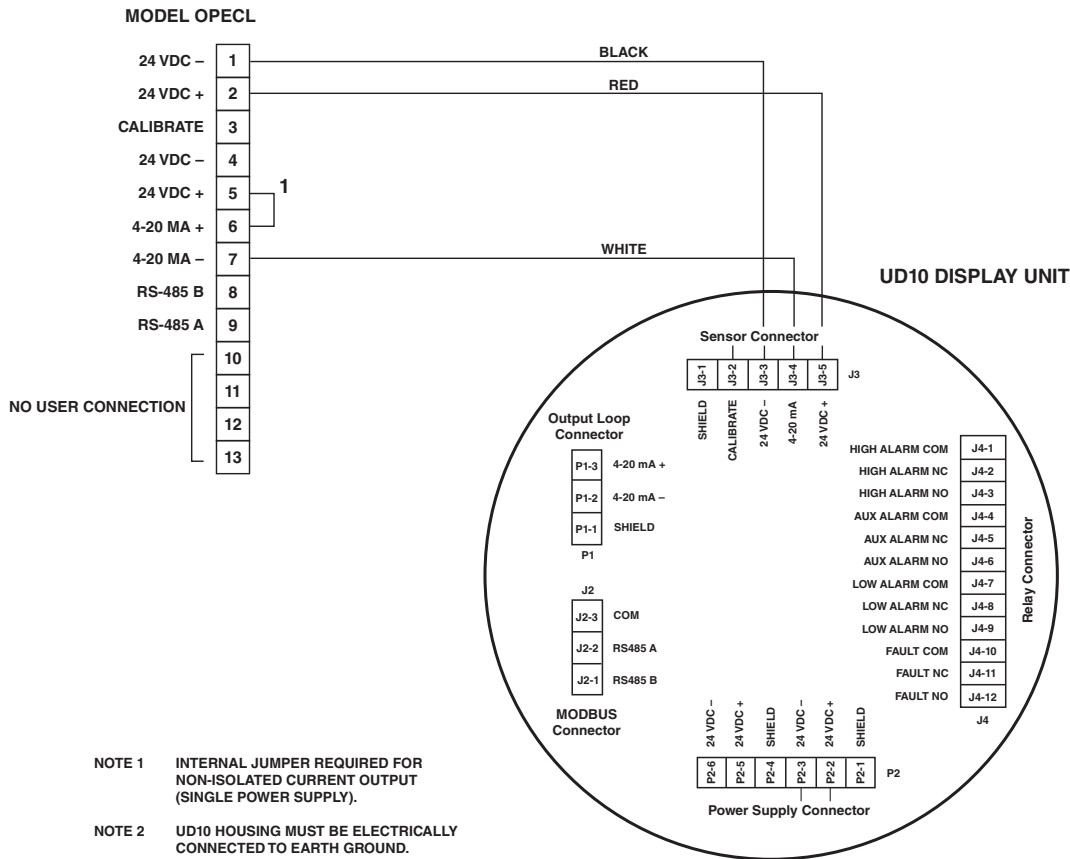
NOTE

For complete information regarding the OPECL Gas Detector, refer to instruction manual 95-8556.

WIRING



Notes: Maximum recommended cable length from power source to UD10 is 2000 feet.
Maximum recommended cable length from UD10 to detector/STB termination box is 2000 feet.



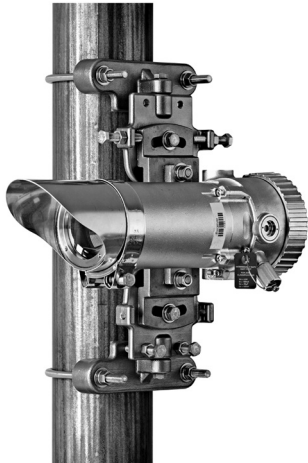
C2405

Model OPECL Wired Directly to UD10

ORIENTATION

OPECL modules must be affixed to a solid, non-vibrating structure capable of supporting a minimum of 100 lbs (46 kg), located within the system's rated separation distance. See examples below.

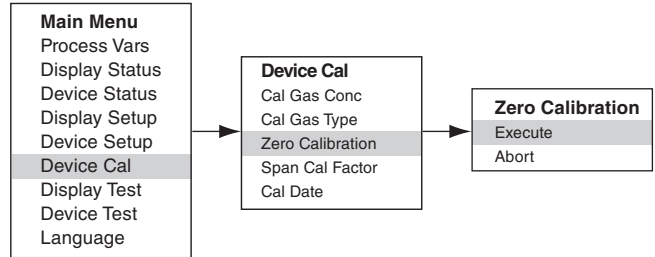
In all cases, the maximum movement of the supporting structure under all anticipated operating conditions must be no more than ± 0.25 degrees. When using a vertical post, the post should be absolutely stable and without vibration. Generally, when the post is set into the ground, the portion below grade should be set in concrete at least 1 meter deep.



CALIBRATION

To initiate zero calibration of the OPECL from the UD10 Display:

- Using the magnet to activate the switches on the UD10 display, navigate to the "Zero Calibration" menu.

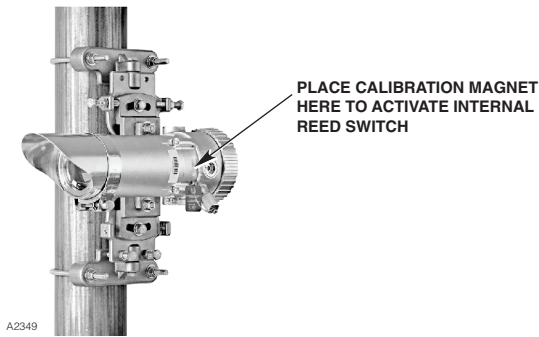


- Activate "Execute" (Enter/Select) to start calibration.
- The UD10 will display "Waiting for Zero" on the main display screen, with a solid red LED on the OPECL housing illuminated.
- After the calibration is successfully completed, the UD10 automatically returns to the normal display with the green LED illuminated on the OPECL housing.

UD10 mA Output During Calibration (UD10 with OPECL)		
UD10 Display Reading	Standard Mode	Replicate Mode
Waiting for Zero	3.8	2.2
Back to Normal	4.0	4.0

To initiate zero calibration from the OPECL:

1. Using the magnet, activate the magnetic calibration switch on the OPECL receiver. See Figure below. The green LED will turn red.
2. The UD10 will display “Waiting for Zero” on the main display screen, with a solid red LED on the OPECL housing illuminated.
3. After the calibration is successfully completed, the UD10 automatically returns to the normal display with the green LED illuminated on the OPECL housing.



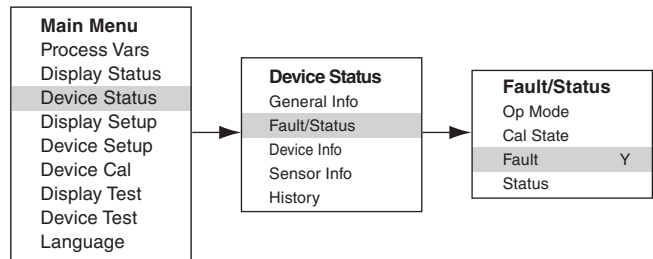
Location of Receiver’s Internal Magnetic Switch

OPECL TRANSMITTER LAMP FAULT CONDITION

If the OPECL system experiences a Transmitter (Tx) Lamp Fault condition, the UD10 display will not indicate a fault condition and its output will remain at 4 mA. The OPECL system is still fully functional and able to detect gas. If a gas alarm condition should occur, the alarm condition will override the Tx Lamp Fault condition.

The OPECL system indicates a fault condition by amber indicator LEDs on both the transmitter and the receiver.

To verify an OPECL Tx Lamp Fault condition, within the Menu Structure of the UD10 Display navigate to the device “Fault/Status” menu:



The Fault status will indicate Y (Yes). Click on “Fault” and the Fault menu will identify the fault as a “Lamp Fault.”

For complete information regarding OPECL fault indications and operation of the OPECL transmitter lamps, refer to the OPECL instruction manual, number 95-8556.

MENU STRUCTURE

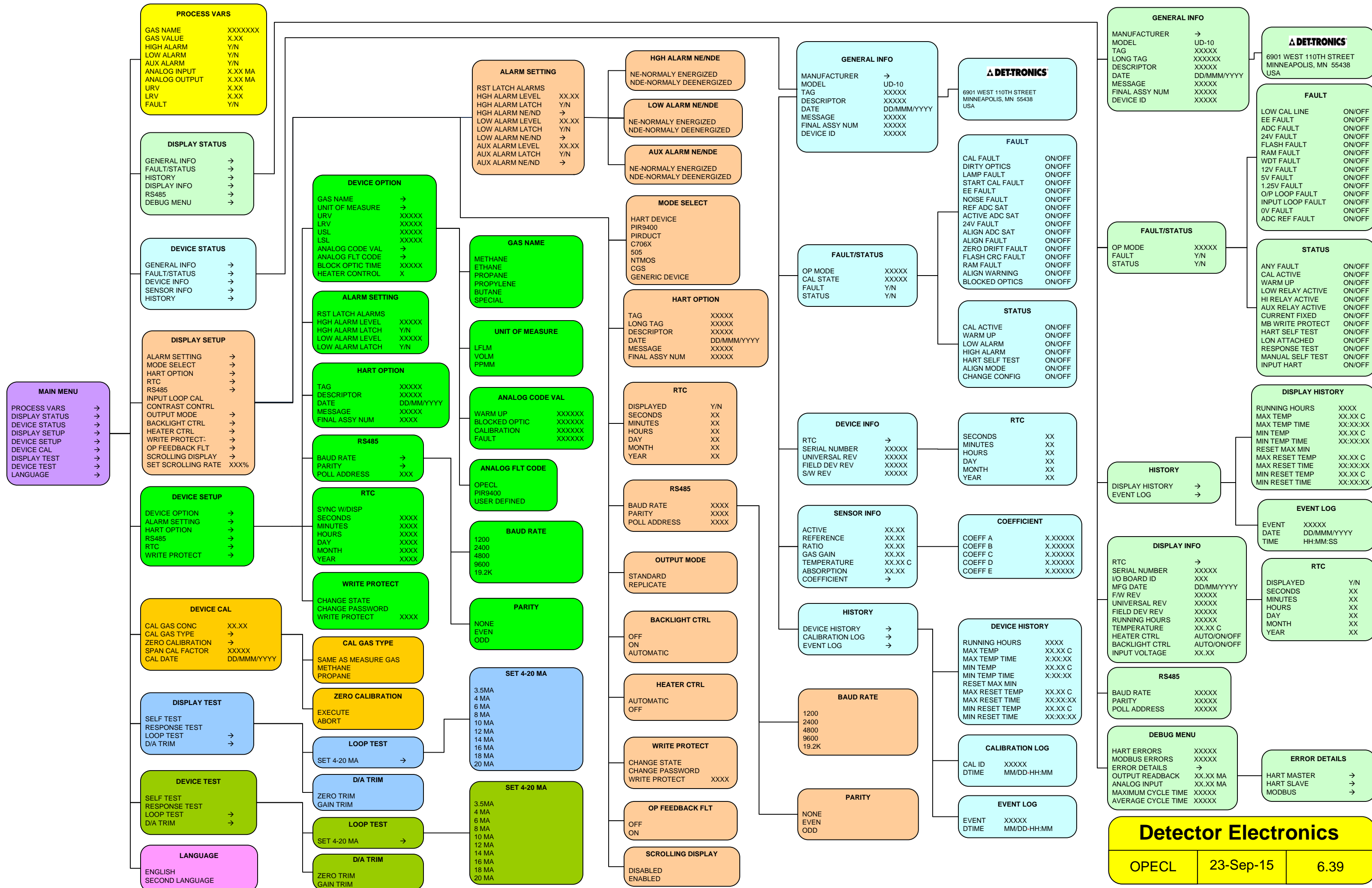
UD10 with Open Patch Eclipse Model OPECL

Refer to the following menu when using the UD10’s LCD display and internal magnetic switches.

When connecting a HART Communicator to the UD10’s 4-20 mA output, refer to the “UD10 HART Handheld” menu in Appendix F.

MENU HELP

Status menus only allow the user to view the data. The Setup menus allow the user to both view and edit the data.



MAIN MENU

- PROCESS VARS →
- DISPLAY STATUS →
- DEVICE STATUS →
- DISPLAY SETUP →
- DEVICE SETUP →
- DEVICE CAL →
- DISPLAY TEST →
- DEVICE TEST →
- LANGUAGE →

PROCESS VARS

GAS NAME	XXXXXX
GAS VALUE	X.XX
HIGH ALARM	Y/N
LOW ALARM	Y/N
AUX ALARM	Y/N
ANALOG INPUT	X.XX MA
ANALOG OUTPUT	X.XX MA
URV	X.XX
LRV	X.XX
FAULT	Y/N

DISPLAY STATUS

- GENERAL INFO →
- FAULT/STATUS →
- HISTORY →
- DISPLAY INFO →
- RS485 →
- DEBUG MENU →

DEVICE STATUS

- GENERAL INFO →
- FAULT/STATUS →
- DEVICE INFO →
- SENSOR INFO →
- HISTORY →

DISPLAY SETUP

- ALARM SETTING →
- MODE SELECT →
- HART OPTION →
- RTC →
- RS485 →
- INPUT LOOP CAL →
- CONTRAST CONTRL →
- OUTPUT MODE →
- BACKLIGHT CTRL →
- HEATER CTRL →
- WRITE PROTECT →
- OP FEEDBACK FLT →
- SCROLLING DISPLAY →
- SET SCROLLING RATE XXX%

DEVICE SETUP

- DEVICE OPTION →
- ALARM SETTING →
- HART OPTION →
- RS485 →
- RTC →
- WRITE PROTECT →

DEVICE CAL

CAL GAS CONC	XX.XX
CAL GAS TYPE	→
ZERO CALIBRATION	→
SPAN CAL FACTOR	XXXXX
CAL DATE	DD/MMM/YYYY

DISPLAY TEST

- SELF TEST →
- RESPONSE TEST →
- LOOP TEST →
- D/A TRIM →

DEVICE TEST

- SELF TEST →
- RESPONSE TEST →
- LOOP TEST →
- D/A TRIM →

LANGUAGE

- ENGLISH
- SECOND LANGUAGE

DEVICE OPTION

- GAS NAME →
- UNIT OF MEASURE →
- URV XXXXX
- LRV XXXXX
- USL XXXXX
- LSL XXXXX
- ANALOG CODE VAL →
- ANALOG FLT CODE →
- BLOCK OPTIC TIME XXXXX
- HEATER CONTROL X

ALARM SETTING

RST LATCH ALARMS	
HGH ALARM LEVEL	XXXXX
HGH ALARM LATCH	Y/N
LOW ALARM LEVEL	XXXXX
LOW ALARM LATCH	Y/N

HART OPTION

TAG	XXXXX
DESCRIPTOR	XXXXX
DATE	DD/MMM/YYYY
MESSAGE	XXXXX
FINAL ASSY NUM	XXXX

RS485

- BAUD RATE →
- PARITY →
- POLL ADDRESS XXX

RTC

SYNC W/DISP	
SECONDS	XXXX
MINUTES	XXXX
HOURS	XXXX
DAY	XXXX
MONTH	XXXX
YEAR	XXXX

WRITE PROTECT

- CHANGE STATE
- CHANGE PASSWORD
- WRITE PROTECT XXXX

CAL GAS TYPE

- SAME AS MEASURE GAS
- METHANE
- PROPANE

ZERO CALIBRATION

- EXECUTE
- ABORT

LOOP TEST

- SET 4-20 MA →

D/A TRIM

- ZERO TRIM
- GAIN TRIM

LOOP TEST

- SET 4-20 MA →

D/A TRIM

- ZERO TRIM
- GAIN TRIM

ALARM SETTING

RST LATCH ALARMS	
HGH ALARM LEVEL	XX.XX
HGH ALARM LATCH	Y/N
HGH ALARM NE/ND	→
LOW ALARM LEVEL	XX.XX
LOW ALARM LATCH	Y/N
LOW ALARM NE/ND	→
AUX ALARM LEVEL	XX.XX
AUX ALARM LATCH	Y/N
AUX ALARM NE/ND	→

GAS NAME

- METHANE
- ETHANE
- PROPANE
- PROPYLENE
- BUTANE
- SPECIAL

UNIT OF MEASURE

- LFLM
- VOLM
- PPMM

ANALOG CODE VAL

WARM UP	XXXXXX
BLOCKED OPTIC	XXXXXX
CALIBRATION	XXXXXX
FAULT	XXXXXX

ANALOG FLT CODE

- OPECL
- PIR9400
- USER DEFINED

BAUD RATE

- 1200
- 2400
- 4800
- 9600
- 19.2K

PARITY

- NONE
- EVEN
- ODD

SET 4-20 MA

- 3.5 MA
- 4 MA
- 6 MA
- 8 MA
- 10 MA
- 12 MA
- 14 MA
- 16 MA
- 18 MA
- 20 MA

SET 4-20 MA

- 3.5 MA
- 4 MA
- 6 MA
- 8 MA
- 10 MA
- 12 MA
- 14 MA
- 16 MA
- 18 MA
- 20 MA

HGH ALARM NE/NDE

- NE-NORMALLY ENERGIZED
- NDE-NORMALLY DEENERGIZED

LOW ALARM NE/NDE

- NE-NORMALLY ENERGIZED
- NDE-NORMALLY DEENERGIZED

AUX ALARM NE/NDE

- NE-NORMALLY ENERGIZED
- NDE-NORMALLY DEENERGIZED

MODE SELECT

- HART DEVICE
- PIR9400
- PIRDUCT
- C706X
- 505
- NTMOS
- CGS
- GENERIC DEVICE

HART OPTION

TAG	XXXXX
LONG TAG	XXXXX
DESCRIPTOR	XXXXX
DATE	DD/MMM/YYYY
MESSAGE	XXXXX
FINAL ASSY NUM	XXXXX

RTC

DISPLAYED	Y/N
SECONDS	XX
MINUTES	XX
HOURS	XX
DAY	XX
MONTH	XX
YEAR	XX

RS485

- BAUD RATE XXXX
- PARITY XXXX
- POLL ADDRESS XXXX

OUTPUT MODE

- STANDARD
- REPLICATE

BACKLIGHT CTRL

- OFF
- ON
- AUTOMATIC

HEATER CTRL

- AUTOMATIC
- OFF

WRITE PROTECT

- CHANGE STATE
- CHANGE PASSWORD
- WRITE PROTECT XXXX

OP FEEDBACK FLT

- OFF
- ON

SCROLLING DISPLAY

- DISABLED
- ENABLED

GENERAL INFO

MANUFACTURER	→
MODEL	UD-10
TAG	XXXXX
DESCRIPTOR	XXXXX
DATE	DD/MMM/YYYY
MESSAGE	XXXXX
FINAL ASSY NUM	XXXXX
DEVICE ID	XXXXX

DET-TRONICS

6901 WEST 110TH STREET
MINNEAPOLIS, MN 55438
USA

FAULT

CAL FAULT	ON/OFF
DIRTY OPTICS	ON/OFF
LAMP FAULT	ON/OFF
START CAL FAULT	ON/OFF
EE FAULT	ON/OFF
NOISE FAULT	ON/OFF
REF ADC SAT	ON/OFF
ACTIVE ADC SAT	ON/OFF
24V FAULT	ON/OFF
ALIGN ADC SAT	ON/OFF
ALIGN FAULT	ON/OFF
ZERO DRIFT FAULT	ON/OFF
FLASH CRC FAULT	ON/OFF
RAM FAULT	ON/OFF
ALIGN WARNING	ON/OFF
BLOCKED OPTICS	ON/OFF

STATUS

CAL ACTIVE	ON/OFF
WARM UP	ON/OFF
LOW ALARM	ON/OFF
HIGH ALARM	ON/OFF
HART SELF TEST	ON/OFF
ALIGN MODE	ON/OFF
CHANGE CONFIG	ON/OFF

FAULT/STATUS

OP MODE	XXXXX
CAL STATE	XXXXX
FAULT	Y/N
STATUS	Y/N

DEVICE INFO

- RTC →
- SERIAL NUMBER XXXXX
- UNIVERSAL REV XXXXX
- FIELD DEV REV XXXXX
- S/W REV XXXXX

RTC

SECONDS	XX
MINUTES	XX
HOURS	XX
DAY	XX
MONTH	XX
YEAR	XX

SENSOR INFO

ACTIVE	XX.XX
REFERENCE	XX.XX
RATIO	XX.XX
GAS GAIN	XX.XX
TEMPERATURE	XX.XX C
ABSORPTION	XX.XX
COEFFICIENT	→

COEFFICIENT

COEFF A	X.XXXXX
COEFF B	X.XXXXX
COEFF C	X.XXXXX
COEFF D	X.XXXXX
COEFF E	X.XXXXX

HISTORY

- DEVICE HISTORY →
- CALIBRATION LOG →
- EVENT LOG →

DEVICE HISTORY

RUNNING HOURS	XXXX
MAX TEMP	XX.XX C
MAX TEMP TIME	X:XX:XX
MIN TEMP	XX.XX C
MIN TEMP TIME	X:XX:XX
RESET MAX MIN	
MAX RESET TEMP	XX.XX C
MAX RESET TIME	XX:XX:XX
MIN RESET TEMP	XX.XX C
MIN RESET TIME	XX:XX:XX

BAUD RATE

- 1200
- 2400
- 4800
- 9600
- 19.2K

PARITY

- NONE
- EVEN
- ODD

GENERAL INFO

MANUFACTURER	→
MODEL	UD-10
TAG	XXXXX
LONG TAG	XXXXXX
DESCRIPTOR	XXXXX
DATE	DD/MMM/YYYY
MESSAGE	XXXXX
FINAL ASSY NUM	XXXXX
DEVICE ID	XXXXX

DET-TRONICS

6901 WEST 110TH STREET
MINNEAPOLIS, MN 55438
USA

FAULT

LOW CAL LINE	ON/OFF
EE FAULT	ON/OFF
ADC FAULT	ON/OFF
24V FAULT	ON/OFF
FLASH FAULT	ON/OFF
RAM FAULT	ON/OFF
WDT FAULT	ON/OFF
12V FAULT	ON/OFF
5V FAULT	ON/OFF
1.25V FAULT	ON/OFF
O/P LOOP FAULT	ON/OFF
INPUT LOOP FAULT	ON/OFF
0V FAULT	ON/OFF
ADC REF FAULT	ON/OFF

STATUS

ANY FAULT	ON/OFF
CAL ACTIVE	ON/OFF
WARM UP	ON/OFF
LOW RELAY ACTIVE	ON/OFF
HI RELAY ACTIVE	ON/OFF
AUX RELAY ACTIVE	ON/OFF
CURRENT FIXED	ON/OFF
MB WRITE PROTECT	ON/OFF
HART SELF TEST	ON/OFF
LON ATTACHED	ON/OFF
RESPONSE TEST	ON/OFF
MANUAL SELF TEST	ON/OFF
INPUT HART	ON/OFF

FAULT/STATUS

OP MODE	XXXXX
FAULT	Y/N
STATUS	Y/N

DISPLAY HISTORY

RUNNING HOURS	XXXX
MAX TEMP	XX.XX C
MAX TEMP TIME	XX:XX:XX
MIN TEMP	XX.XX C
MIN TEMP TIME	XX:XX:XX
RESET MAX MIN	
MAX RESET TEMP	XX.XX C
MAX RESET TIME	XX:XX:XX
MIN RESET TEMP	XX.XX C
MIN RESET TIME	XX:XX:XX

HISTORY

- DISPLAY HISTORY →
- EVENT LOG →

EVENT LOG

EVENT	XXXXX
DATE	DD/MMM/YYYY
TIME	HH:MM:SS

DISPLAY INFO

RTC	→
SERIAL NUMBER	XXXXX
I/O BOARD ID	XXX
MFG DATE	DD/MMM/YYYY
F/W REV	XXXXX
UNIVERSAL REV	XXXXX
FIELD DEV REV	XXXXX
RUNNING HOURS	XXXXX
TEMPERATURE	XX.XX C
HEATER CTRL	AUTO/ON/OFF
BACKLIGHT CTRL	AUTO/ON/OFF
INPUT VOLTAGE	XX.XX

RTC

DISPLAYED	Y/N
SECONDS	XX
MINUTES	XX
HOURS	XX
DAY	XX
MONTH	XX
YEAR	XX

RS485

- BAUD RATE XXXXX
- PARITY XXXXX
- POLL ADDRESS XXXXX

DEBUG MENU

HART ERRORS	XXXXX
MODBUS ERRORS	XXXXX
ERROR DETAILS	→
OUTPUT READBACK	XX.XX MA
ANALOG INPUT	XX.XX MA
MAXIMUM CYCLE TIME	XXXXX
AVERAGE CYCLE TIME	XXXXX

ERROR DETAILS

- HART MASTER →
- HART SLAVE →
- MODBUS →

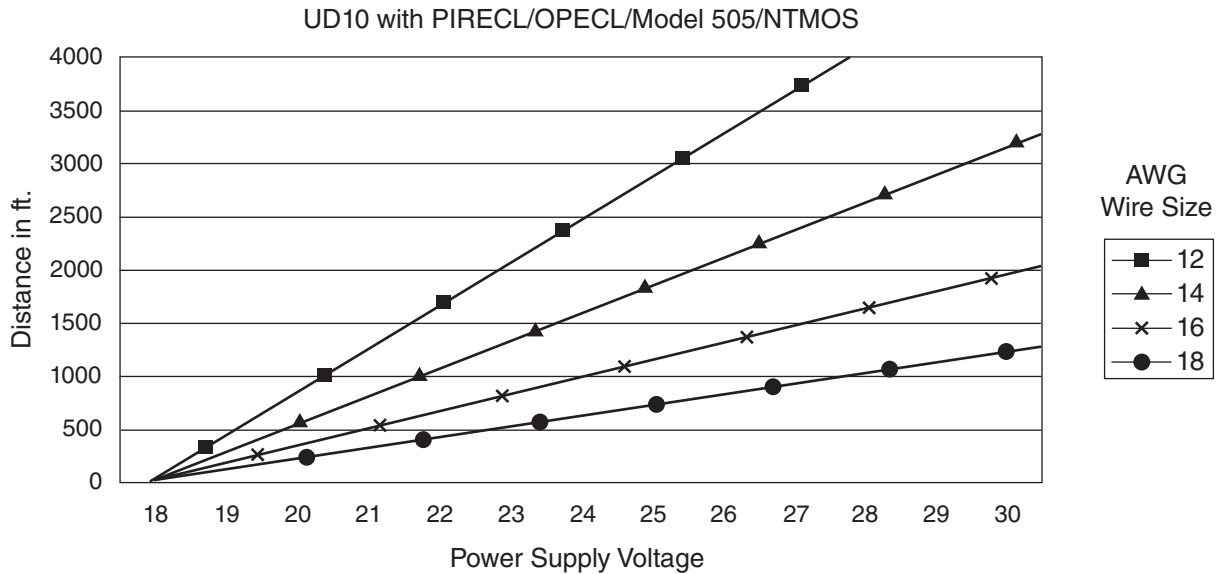
APPENDIX K

UD10 with NTMOS H₂S DETECTOR

NOTE

For complete information regarding the NTMOS Gas Detector, refer to instruction manual 95-8604.

WIRING



Notes: Maximum recommended cable length from power source to UD10 is 2000 feet.
Maximum recommended cable length from UD10 to detector/STB termination box is 2000 feet.

INSTALLATION NOTES

NOTE

Never use silicone grease with the NTMOS detector.

NOTE

A junction box spacer or standoff may be used to increase the distance between the device and the mounting surface, thereby facilitating installation and use of the ampoule calibrator.

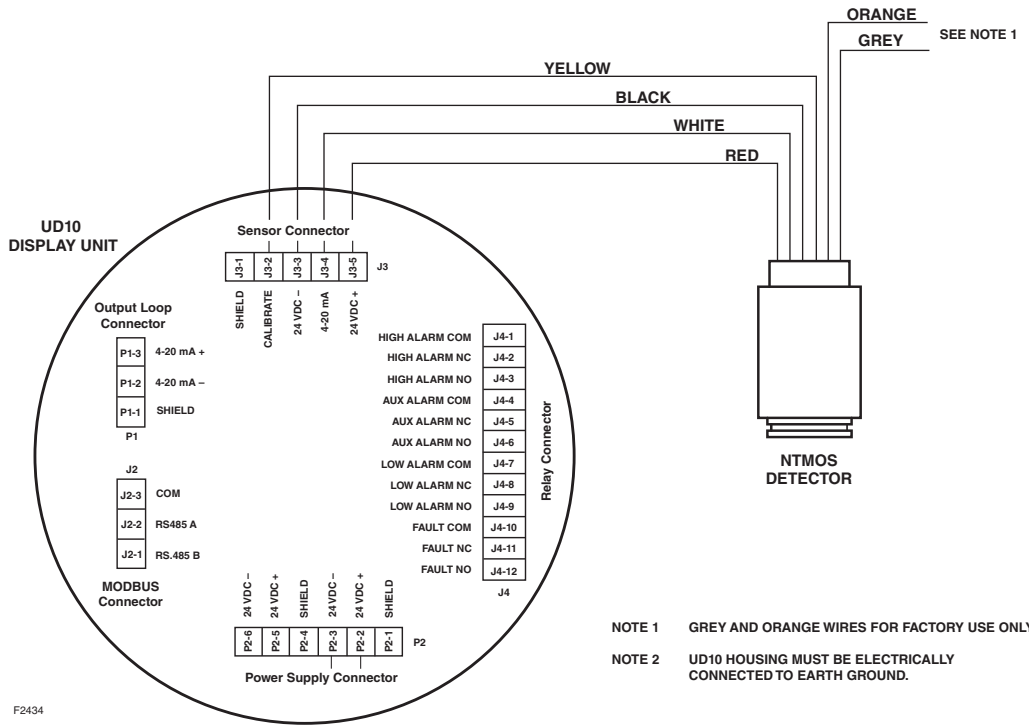
NOTE

For non-HART applications, the NTMOS detector can be wired to the Sensor Connector terminals (J3) on the UD10 module. If HART communication will be used, the NTMOS detector must be wired to the optional NTMOS Connector Board, located on the inside bottom of the UD10 housing. Refer to the appropriate wiring diagram.

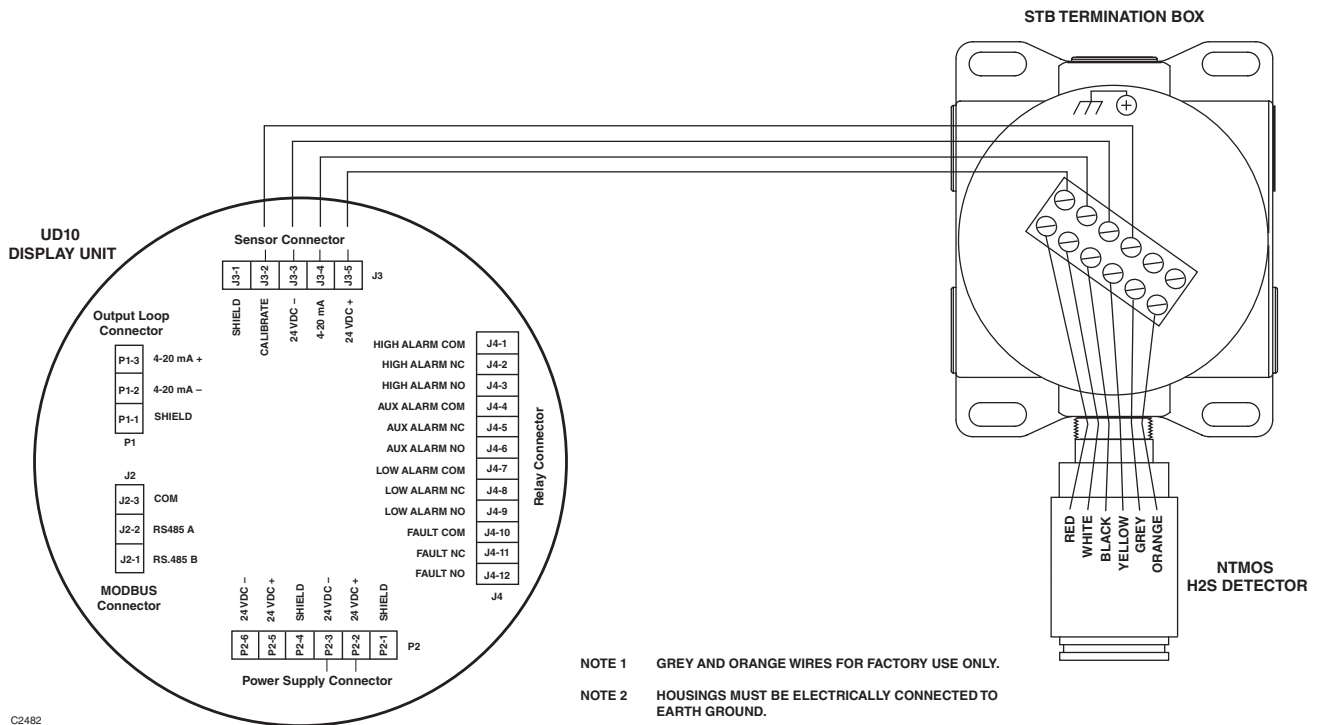
Proper Termination of Orange and Grey Wires

The orange and grey wires on the NTMOS detector are for factory use only. Proper field termination of these wires can be accomplished in any of the following ways:

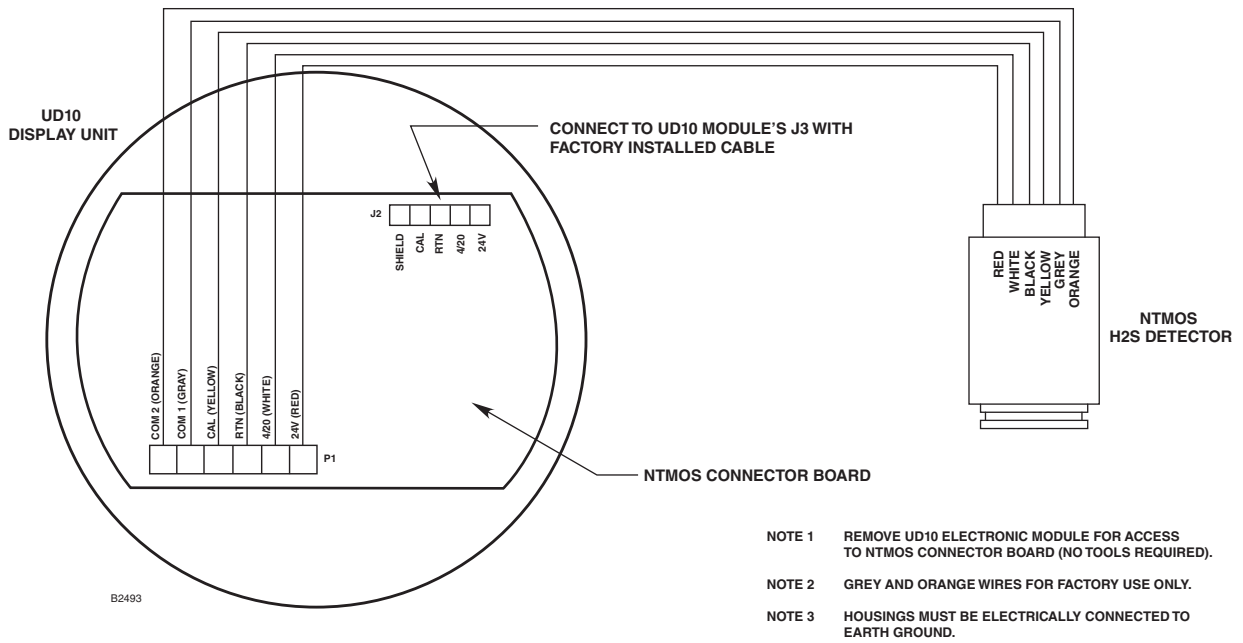
- If wiring to optional NTMOS Connector Board, use the terminals provided (grey to COM 1 & orange to COM 2).
- If codes allow, they can be taped off and left unconnected.
- Connect both wires to the "Shield" terminal (J3-1).
- Connect both wires to Power Supply Minus (24 Vdc -).
- Connect to unused terminals in the STB Sensor Termination Box.



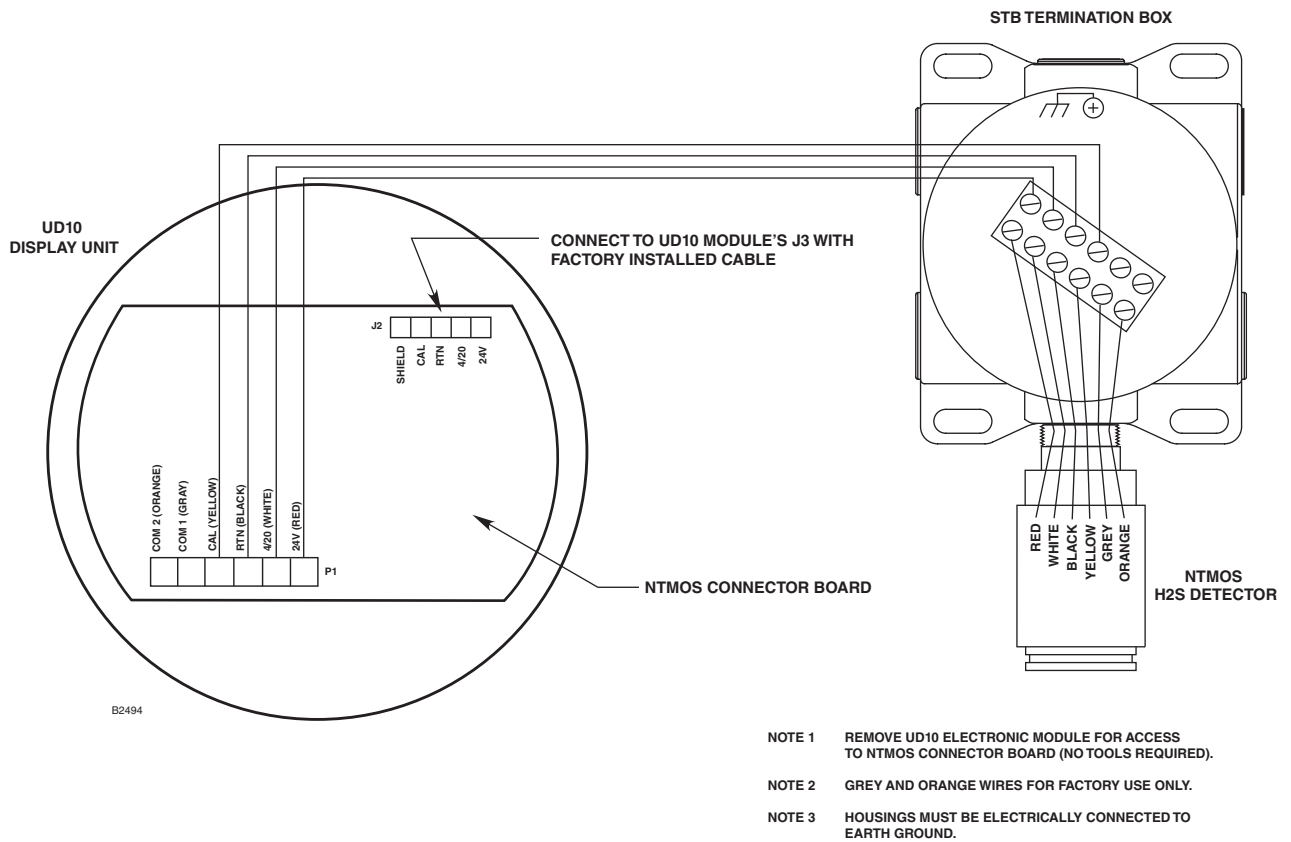
NTMOS Detector Wired Directly to UD10 (Non-HART Applications Only)



UD10 Wired to NTMOS Detector with STB Termination Box (Non-HART Applications Only)



NTMOS Detector Wired Directly to UD10 via the NTMOS Connector Board (NTMOS Connector Board is **Required** for HART Communication)



UD10 with NTMOS Connector Board Wired to NTMOS Detector with STB Termination Box (NTMOS Connector Board is **Required** for HART Communication)

ORIENTATION

The UD10/NTMOS assembly must be mounted with the detector pointing down (see photo below).



CALIBRATION

Calibration Notes

The NTMOS detector must be calibrated using 50 ppm H₂S in air (never use H₂S in nitrogen).

Det-Tronics provides two acceptable sources of 50 ppm H₂S calibration gas for use with NTMOS detectors.

WARNING

The use of any other H₂S calibration mixture will produce inaccurate calibration results, possibly resulting in a dangerous condition if the detector under-reports the level of H₂S.

1. 50 ppm Ampoule Calibration Kit (p/n 007098-005) with 50 ppm ampoules (p/n 225741-001)

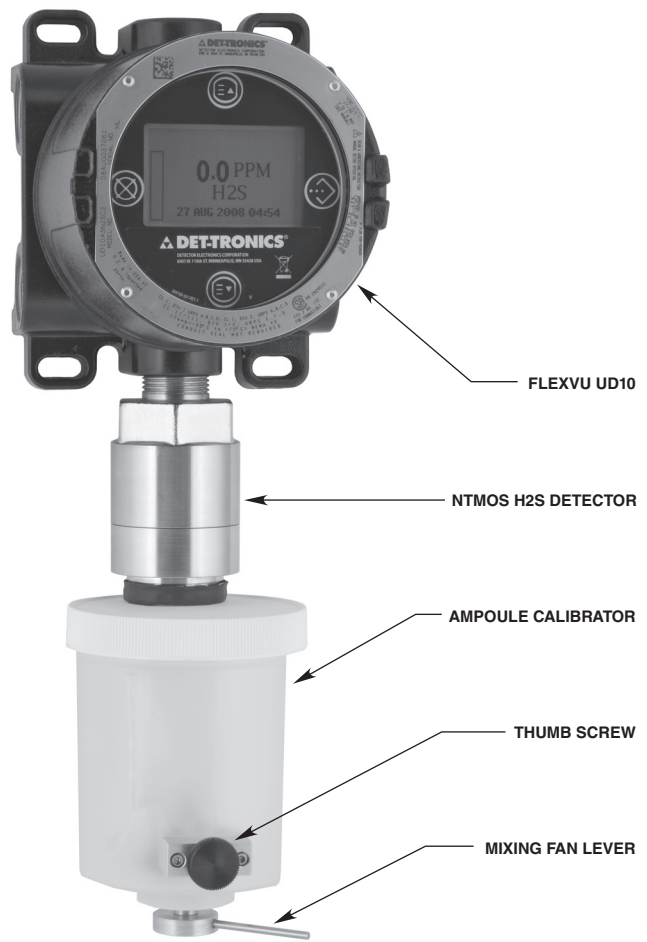
To operate the Ampoule Calibrator:

- Remove the cover and insert a 50 ppm H₂S ampoule into the ampoule holder inside the calibrator. Tighten the thumb screw until snug.
- Place the cover back on the calibrator and connect it snugly to the NTMOS detector.
- Tighten the thumb screw until the ampoule breaks.
- Rotate the mixing fan by slowly turning the mixing fan lever.

2. Humidification Tube Calibration Kit (p/n 010272-001) with bottled 50 ppm H₂S in air (p/n 227117-014). For complete information regarding use of the Humidification Tube Calibration Kit, refer to instruction manual number 95-8648.

NOTE

*When calibrating with bottled 50 ppm H₂S in air, the humidification tube **must** be used.*



Ampoule Calibrator Attached to NTMOS Detector



Humidification Tube Calibration Kit Attached to NTMOS Detector

5. Apply calibration gas to the detector.
6. With 50 ppm H₂S applied to the detector, the UD10 display will continue to show “Waiting for Span” while the span calibration is being performed.
7. When the UD10 Display shows “Remove Cal Gas” the calibration is complete. Remove calibration gas from the detector.
8. When the gas level falls below the lowest alarm setpoint, the UD10 automatically exits the Calibrate mode and returns to normal operating mode.

MENU STRUCTURE

UD10 with NTMOS H₂S Detector

Refer to the following menu when using the UD10's LCD display and internal magnetic switches.

When connecting a HART Communicator to the UD10's 4-20 mA output, refer to the “UD10 HART Handheld” menu in Appendix F.

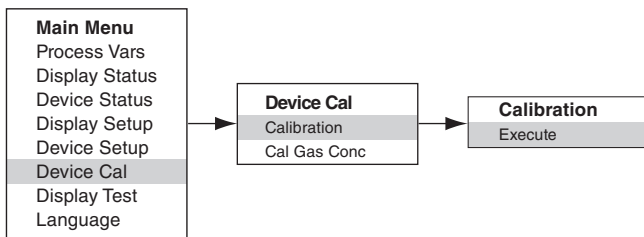
MENU HELP

*Status menus only allow the user to view the data.
The Setup menus allow the user to both view and edit the data.*

Calibration Procedure

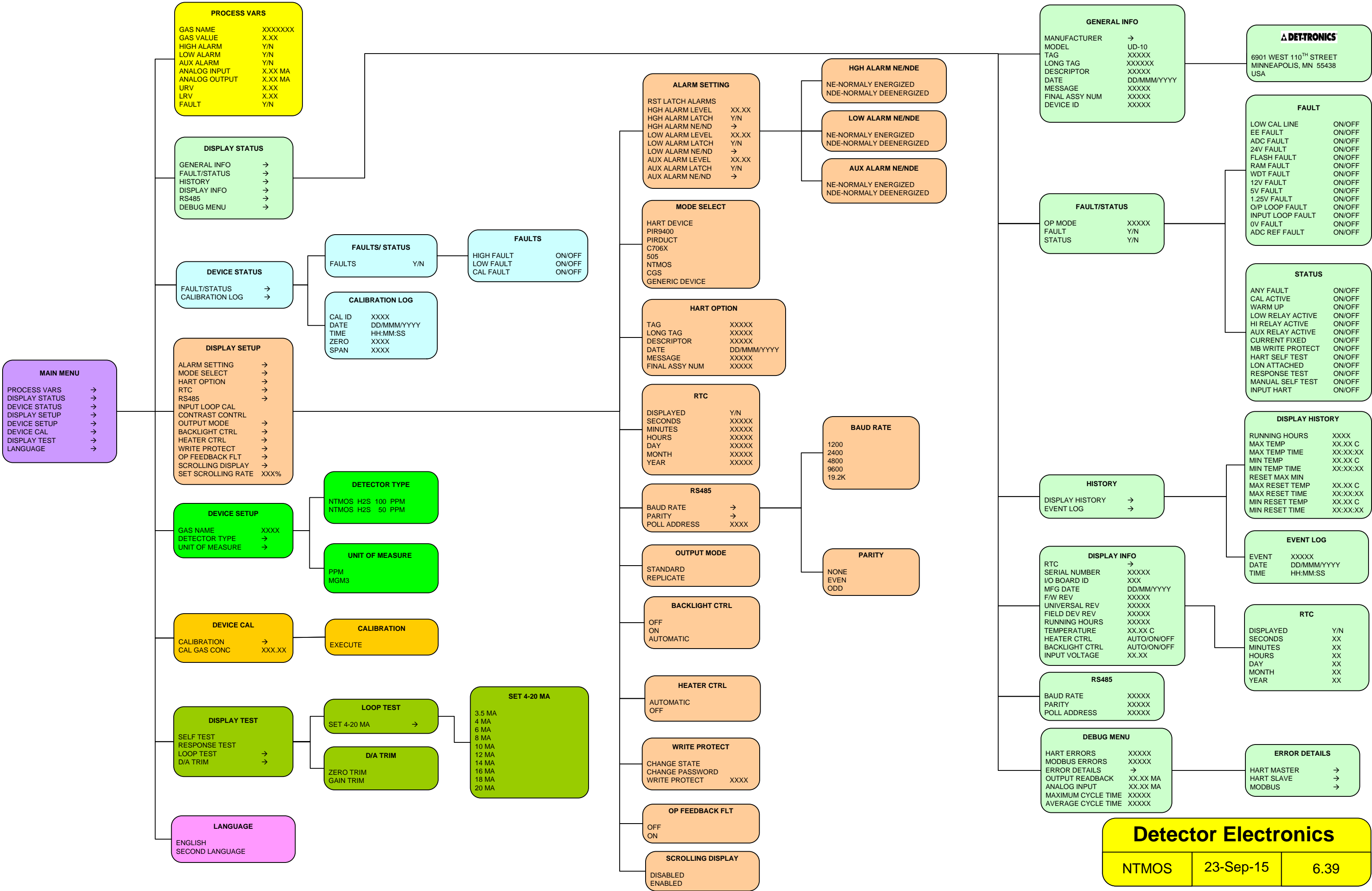
To calibrate the NTMOS detector with the FlexVu UD10 Display:

1. Touch the magnet to the ENTER/SELECT button to display the Main Menu. Follow the illustration below to navigate to the “Calibrate” menu.



2. Activate “Execute” (Enter/Select) to begin the zero calibration.
3. The UD10 will display “Waiting for Zero” on the main display screen.
4. When zero calibration is complete (approximately one minute), the UD10 will display “Waiting for Span” on the main display screen.

UD10 mA Output During Calibration (UD10 with NTMOS)		
UD10 Display Reading	Standard Mode	Replicate Mode
Waiting for Zero	3.8	2.2
Waiting for Gas	3.8	3.8
Waiting for Span	3.8	3.8
Remove Cal Gas	3.8	3.8
Back to Normal	4.0	4.0



MAIN MENU

- PROCESS VARS →
- DISPLAY STATUS →
- DEVICE STATUS →
- DISPLAY SETUP →
- DETECTOR TYPE →
- UNIT OF MEASURE →
- DEVICE CAL →
- CALIBRATION →
- DISPLAY TEST →
- LOOP TEST →
- D/A TRIM →
- LANGUAGE →

PROCESS VARS

GAS NAME	XXXXXXX
GAS VALUE	X.XX
HIGH ALARM	Y/N
LOW ALARM	Y/N
AUX ALARM	Y/N
ANALOG INPUT	X.XX MA
ANALOG OUTPUT	X.XX MA
URV	X.XX
LRV	X.XX
FAULT	Y/N

DISPLAY STATUS

- GENERAL INFO →
- FAULT/STATUS →
- HISTORY →
- DISPLAY INFO →
- RS485 →
- DEBUG MENU →

DEVICE STATUS

- FAULT/STATUS →
- CALIBRATION LOG →

DISPLAY SETUP

- ALARM SETTING →
- MODE SELECT →
- HART OPTION →
- RTC →
- RS485 →
- INPUT LOOP CAL
- CONTRAST CONTRL
- OUTPUT MODE →
- BACKLIGHT CTRL →
- HEATER CTRL →
- WRITE PROTECT →
- OP FEEDBACK FLT →
- SCROLLING DISPLAY →
- SET SCROLLING RATE XXX%

DETECTOR TYPE

- GAS NAME XXXX
- DETECTOR TYPE →
- UNIT OF MEASURE →

DETECTOR TYPE

- NTMOS H2S 100 PPM
- NTMOS H2S 50 PPM

UNIT OF MEASURE

- PPM
- MGM3

DEVICE CAL

- CALIBRATION →
- CAL GAS CONC XXX.XX

CALIBRATION

- EXECUTE

DISPLAY TEST

- SELF TEST
- RESPONSE TEST
- LOOP TEST →
- D/A TRIM →

LOOP TEST

- SET 4-20 MA →

D/A TRIM

- ZERO TRIM
- GAIN TRIM

LANGUAGE

- ENGLISH
- SECOND LANGUAGE

FAULTS

HIGH FAULT	ON/OFF
LOW FAULT	ON/OFF
CAL FAULT	ON/OFF

FAULTS/STATUS

- FAULTS Y/N

CALIBRATION LOG

CAL ID	XXXX
DATE	DD/MMM/YYYY
TIME	HH:MM:SS
ZERO	XXXX
SPAN	XXXX

SET 4-20 MA

- 3.5 MA
- 4 MA
- 6 MA
- 8 MA
- 10 MA
- 12 MA
- 14 MA
- 16 MA
- 18 MA
- 20 MA

ALARM SETTING

RST LATCH ALARMS	
HGH ALARM LEVEL	XX.XX
HGH ALARM LATCH	Y/N
HGH ALARM NE/ND	→
LOW ALARM LEVEL	XX.XX
LOW ALARM LATCH	Y/N
LOW ALARM NE/ND	→
AUX ALARM LEVEL	XX.XX
AUX ALARM LATCH	Y/N
AUX ALARM NE/ND	→

HGH ALARM NE/NDE

- NE-NORMALY ENERGIZED
- NDE-NORMALY DEENERGIZED

LOW ALARM NE/NDE

- NE-NORMALY ENERGIZED
- NDE-NORMALY DEENERGIZED

AUX ALARM NE/NDE

- NE-NORMALY ENERGIZED
- NDE-NORMALY DEENERGIZED

MODE SELECT

- HART DEVICE
- PIR9400
- PIRDUCT
- C706X
- 505
- NTMOS
- CGS
- GENERIC DEVICE

HART OPTION

TAG	XXXXX
LONG TAG	XXXXX
DESCRIPTOR	XXXXX
DATE	DD/MMM/YYYY
MESSAGE	XXXXX
FINAL ASSY NUM	XXXXX

RTC

DISPLAYED	Y/N
SECONDS	XXXXX
MINUTES	XXXXX
HOURS	XXXXX
DAY	XXXXX
MONTH	XXXXX
YEAR	XXXXX

BAUD RATE

- 1200
- 2400
- 4800
- 9600
- 19.2K

RS485

- BAUD RATE →
- PARITY →
- POLL ADDRESS XXXX

PARITY

- NONE
- EVEN
- ODD

OUTPUT MODE

- STANDARD
- REPLICATE

BACKLIGHT CTRL

- OFF
- ON
- AUTOMATIC

HEATER CTRL

- AUTOMATIC
- OFF

WRITE PROTECT

- CHANGE STATE
- CHANGE PASSWORD
- WRITE PROTECT XXXX

OP FEEDBACK FLT

- OFF
- ON

SCROLLING DISPLAY

- DISABLED
- ENABLED

GENERAL INFO

MANUFACTURER	→
MODEL	UD-10
TAG	XXXXX
LONG TAG	XXXXXX
DESCRIPTOR	XXXXX
DATE	DD/MMM/YYYY
MESSAGE	XXXXX
FINAL ASSY NUM	XXXXX
DEVICE ID	XXXXX

DETRONICS

6901 WEST 110TH STREET
MINNEAPOLIS, MN 55438
USA

FAULT/STATUS

OP MODE	XXXXX
FAULT	Y/N
STATUS	Y/N

FAULT

LOW CAL LINE	ON/OFF
EE FAULT	ON/OFF
ADC FAULT	ON/OFF
24V FAULT	ON/OFF
FLASH FAULT	ON/OFF
RAM FAULT	ON/OFF
WDT FAULT	ON/OFF
12V FAULT	ON/OFF
5V FAULT	ON/OFF
1.25V FAULT	ON/OFF
O/P LOOP FAULT	ON/OFF
INPUT LOOP FAULT	ON/OFF
0V FAULT	ON/OFF
ADC REF FAULT	ON/OFF

STATUS

ANY FAULT	ON/OFF
CAL ACTIVE	ON/OFF
WARM UP	ON/OFF
LOW RELAY ACTIVE	ON/OFF
HI RELAY ACTIVE	ON/OFF
AUX RELAY ACTIVE	ON/OFF
CURRENT FIXED	ON/OFF
MB WRITE PROTECT	ON/OFF
HART SELF TEST	ON/OFF
LON ATTACHED	ON/OFF
RESPONSE TEST	ON/OFF
MANUAL SELF TEST	ON/OFF
INPUT HART	ON/OFF

HISTORY

- DISPLAY HISTORY →
- EVENT LOG →

DISPLAY HISTORY

RUNNING HOURS	XXXX
MAX TEMP	XX.XX C
MAX TEMP TIME	XX:XX:XX
MIN TEMP	XX.XX C
MIN TEMP TIME	XX:XX:XX
RESET MAX MIN	
MAX RESET TEMP	XX.XX C
MAX RESET TIME	XX:XX:XX
MIN RESET TEMP	XX.XX C
MIN RESET TIME	XX:XX:XX

EVENT LOG

EVENT	XXXXX
DATE	DD/MMM/YYYY
TIME	HH:MM:SS

DISPLAY INFO

- RTC →
- SERIAL NUMBER XXXXX
- I/O BOARD ID XXX
- MFG DATE DD/MM/YYYY
- F/W REV XXXXX
- UNIVERSAL REV XXXXX
- FIELD DEV REV XXXXX
- RUNNING HOURS XXXXX
- TEMPERATURE XX.XX C
- HEATER CTRL AUTO/ON/OFF
- BACKLIGHT CTRL AUTO/ON/OFF
- INPUT VOLTAGE XX.XX

RTC

DISPLAYED	Y/N
SECONDS	XX
MINUTES	XX
HOURS	XX
DAY	XX
MONTH	XX
YEAR	XX

RS485

- BAUD RATE XXXXX
- PARITY XXXXX
- POLL ADDRESS XXXXX

DEBUG MENU

- HART ERRORS XXXXX
- MODBUS ERRORS XXXXX
- ERROR DETAILS →
- OUTPUT READBCK XX.XX MA
- ANALOG INPUT XX.XX MA
- MAXIMUM CYCLE TIME XXXXX
- AVERAGE CYCLE TIME XXXXX

ERROR DETAILS

- HART MASTER →
- HART SLAVE →
- MODBUS →

Detector Electronics

NTMOS	23-Sep-15	6.39
-------	-----------	------

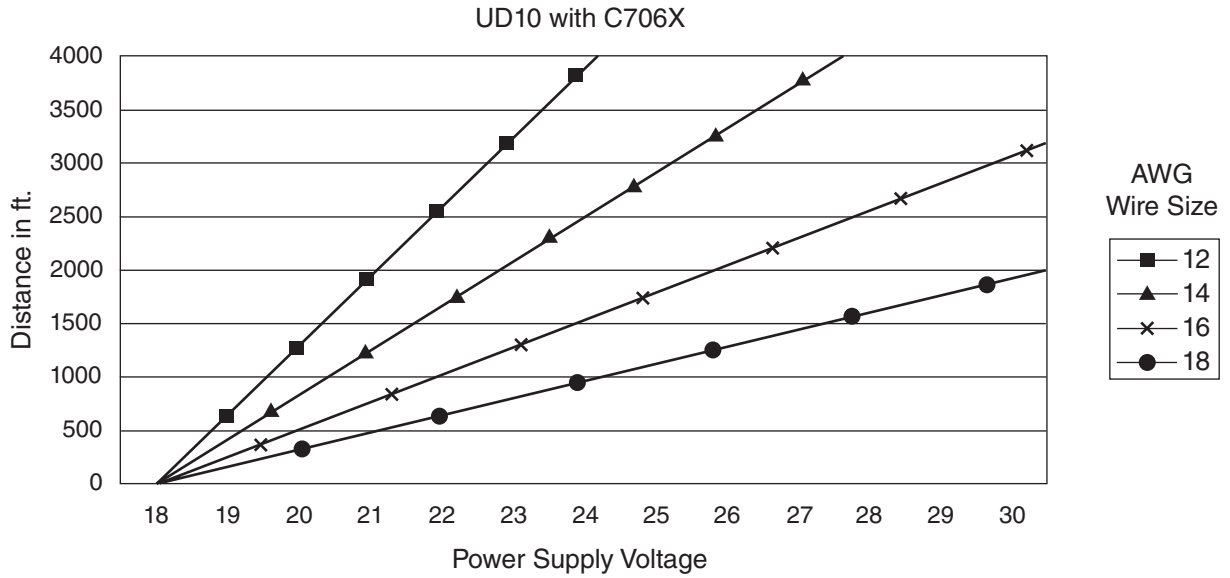
APPENDIX L

UD10 with C706X TOXIC GAS SENSOR

NOTE

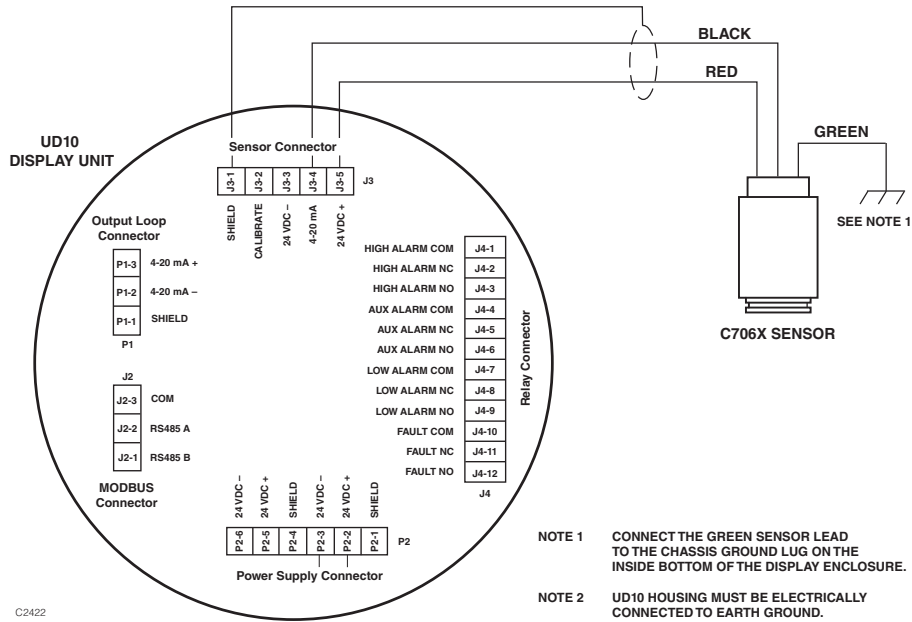
For complete information regarding the C7064E H2S Gas Sensor, refer to instruction manual 95-8396.
For the C7067E Chlorine Gas Sensor, refer to instruction manual 95-8439.

WIRING

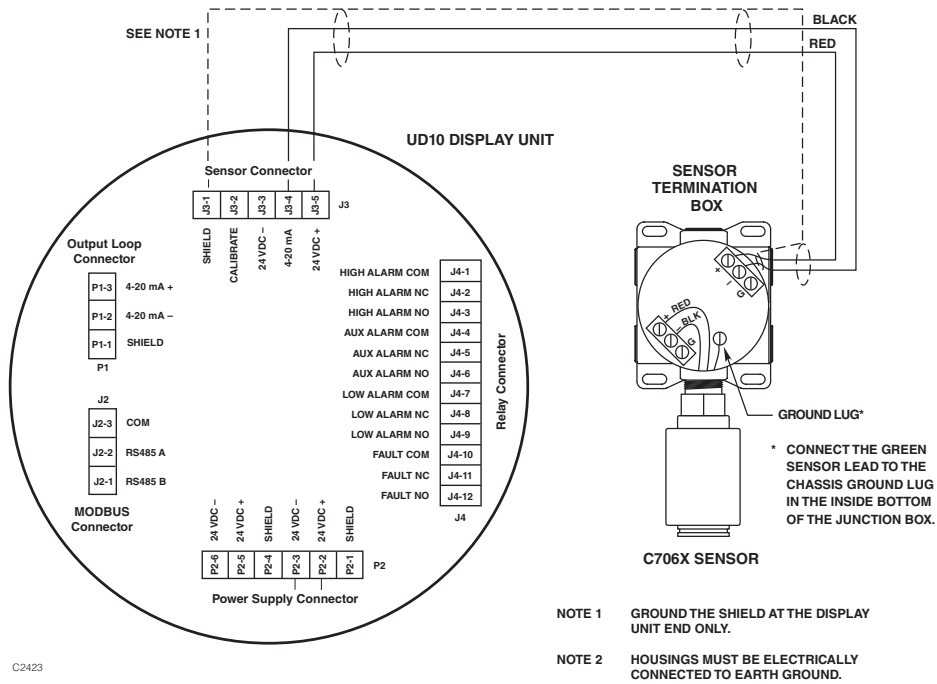


Notes: Maximum recommended cable length from power source to UD10 is 2000 feet.
Maximum recommended cable length from UD10 to sensor/STB termination box is 2000 feet.

Model C7065E oxygen sensor is not supported.



C706X Sensor Wired Directly to UD10



UD10 Wired to C706X Sensor with STB Termination Box

INSTALLATION

WIRING REQUIREMENTS

The simplest installation involves installing the sensor into one of the UD10 openings and connecting the wiring directly to the UD10. If the installation requires separation of the C706X sensor and the UD10 Display, the sensor can be connected to a STB sensor termination box, and the C706X/STB combination wired to the UD10. In this case, shielded cable is recommended to help protect against interference caused by extraneous electrical "noise." In applications where the cable is installed in conduit, the conduit should not be used for wiring to other electrical equipment whenever possible. If other equipment power wiring is run in the same conduit, the cabling **must** be shielded. The maximum allowable distance between the C706X sensor and UD10 Display Unit is limited by the resistance of the cabling used.

INSTALLATION AND WIRING PROCEDURE

1. Determine the best mounting locations for the detectors.
2. Install the C706X sensor within the proper opening in the UD10 or STB junction box. Mount the UD10/C706X with the sensor oriented vertically and the opening pointing down. The UD10 should be electrically connected to earth ground.

NOTE

The electrochemical sensor cell does not need to be installed within the C706X housing while installing and wiring the detector/junction box. It is recommended to keep the sensor in the manufacturer's sealed shipping bag in a cool storage environment until actual power-up and calibration commissioning is performed. This will ensure that the sensor will provide maximum longevity.

3. Terminate all three C706X conductors at the proper terminals. Refer to the appropriate illustration for details.
4. Double check that all wiring is the proper size and type and has been installed correctly. Check operating voltage at the C706X sensor and the UD10 Display Unit.

NOTE

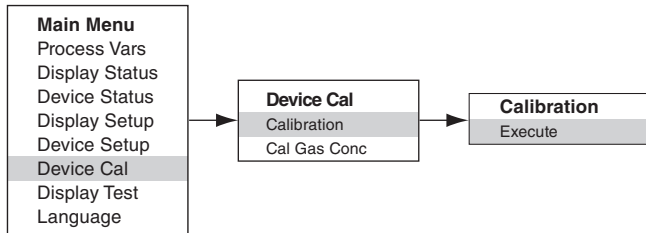
Do not apply power to the system with the junction box cover removed unless the area has been de-classified.

5. Proceed with startup and calibration.

CALIBRATION

To initiate calibration of the C706X sensor from the UD10 Display:

1. Using the magnet to activate the switches on the UD10 display, navigate to the "Calibrate" menu.



2. Activate "Execute" (Enter/Select) to start calibration.
3. The UD10 will display "Waiting for Zero" on the main display screen as it performs zero calibration.
4. When zero calibration is complete, the UD10 will display "Waiting for Gas" on the screen.
5. Apply calibration gas to the sensor.
6. The UD10 will display "Waiting for Span" on the screen while the span calibration is being performed.
7. When the UD10 displays "Remove Cal Gas" on the screen, remove the calibration gas from the sensor.
8. When calibration is complete, "Remove Cal Gas" is no longer displayed on the screen and the UD10 automatically returns to the normal operating mode.

MENU STRUCTURE

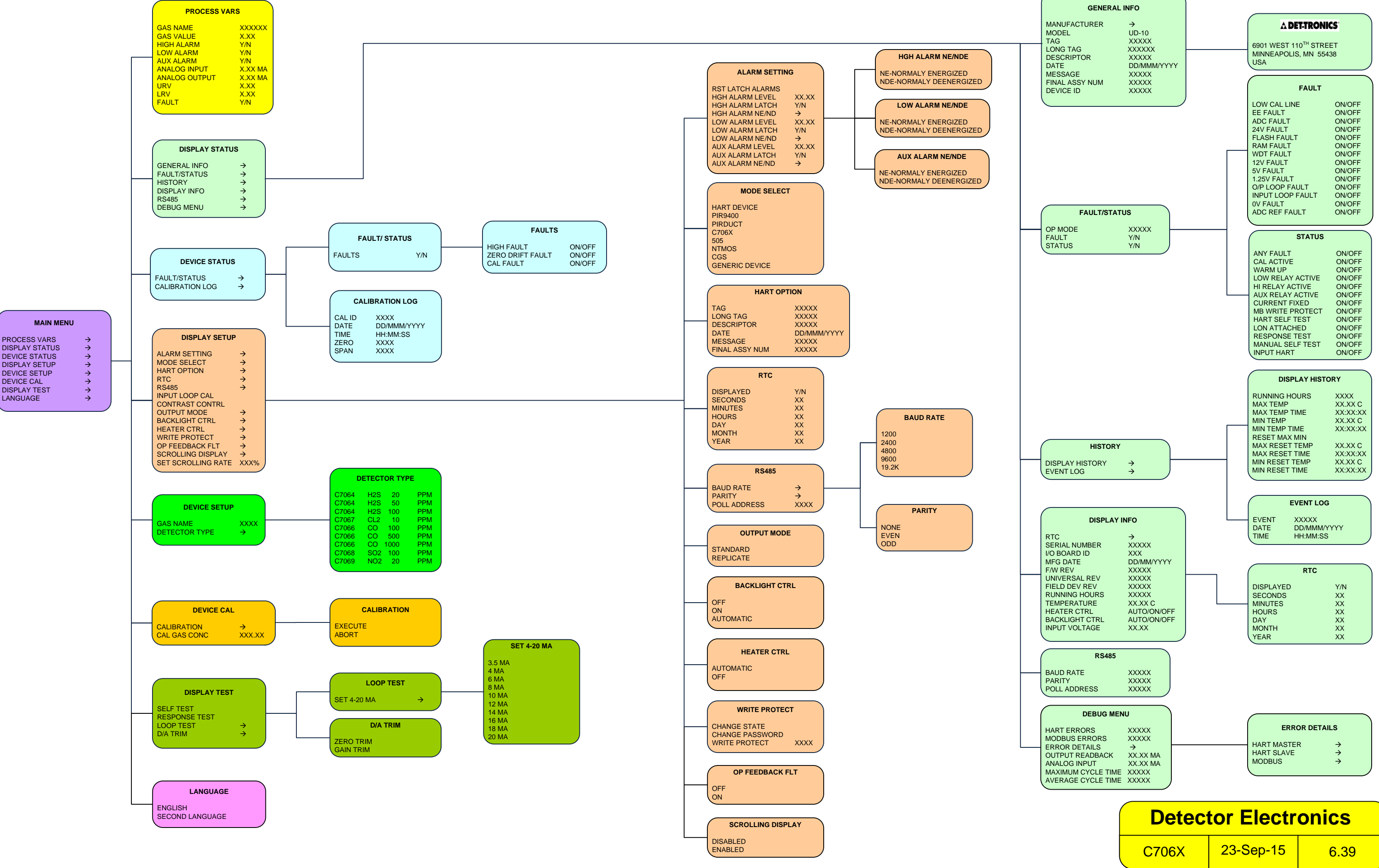
UD10 with C706X Series Sensor

Refer to the following menu when using the UD10's LCD display and internal magnetic switches.

When connecting a HART Communicator to the UD10's 4-20 mA output, refer to the "UD10 HART Handheld" menu in Appendix F.

MENU HELP

*Status menus only allow the user to view the data.
The Setup menus allow the user to both view and edit the data.*



PROCESS VARS

GAS NAME	XXXXXX
GAS VALUE	X.XX
HIGH ALARM	Y/N
LOW ALARM	Y/N
AUX ALARM	Y/N
ANALOG INPUT	X.XX MA
ANALOG OUTPUT	X.XX MA
URV	X.XX
LRV	X.XX
FAULT	Y/N

DISPLAY STATUS

- GENERAL INFO →
- FAULT/STATUS →
- HISTORY →
- DISPLAY INFO →
- RS485 →
- DEBUG MENU →

DEVICE STATUS

- FAULT/STATUS →
- CALIBRATION LOG →

DISPLAY SETUP

- ALARM SETTING →
- MODE SELECT →
- HART OPTION →
- RTC →
- RS485 →
- INPUT LOOP CAL
- CONTRAST CONTRL
- OUTPUT MODE →
- BACKLIGHT CTRL →
- HEATER CTRL →
- WRITE PROTECT →
- OP FEEDBACK FLT →
- SCROLLING DISPLAY →
- SET SCROLLING RATE XXX%

DEVICE SETUP

- GAS NAME XXXX
- DETECTOR TYPE →

DEVICE CAL

- CALIBRATION →
- CAL GAS CONC XXX.XX

DISPLAY TEST

- SELF TEST
- RESPONSE TEST
- LOOP TEST →
- D/A TRIM →

LANGUAGE

- ENGLISH
- SECOND LANGUAGE

FAULT/STATUS

- FAULTS Y/N

FAULTS

HIGH FAULT	ON/OFF
ZERO DRIFT FAULT	ON/OFF
CAL FAULT	ON/OFF

CALIBRATION LOG

CAL ID	XXXX
DATE	DD/MMM/YYYY
TIME	HH:MM:SS
ZERO	XXXX
SPAN	XXXX

DETECTOR TYPE

C7064	H2S	20	PPM
C7064	H2S	50	PPM
C7064	H2S	100	PPM
C7067	CL2	10	PPM
C7066	CO	100	PPM
C7066	CO	500	PPM
C7066	CO	1000	PPM
C7068	SO2	100	PPM
C7069	NO2	20	PPM

CALIBRATION

- EXECUTE
- ABORT

LOOP TEST

- SET 4-20 MA →

D/A TRIM

- ZERO TRIM
- GAIN TRIM

SET 4-20 MA

3.5 MA
4 MA
6 MA
8 MA
10 MA
12 MA
14 MA
16 MA
18 MA
20 MA

ALARM SETTING

RST LATCH ALARMS	
HGH ALARM LEVEL	XX.XX
HGH ALARM LATCH	Y/N
HGH ALARM NE/ND	→
LOW ALARM LEVEL	XX.XX
LOW ALARM LATCH	Y/N
LOW ALARM NE/ND	→
AUX ALARM LEVEL	XX.XX
AUX ALARM LATCH	Y/N
AUX ALARM NE/ND	→

HGH ALARM NE/NDE

- NE-NORMALY ENERGIZED
- NDE-NORMALY DEENERGIZED

LOW ALARM NE/NDE

- NE-NORMALY ENERGIZED
- NDE-NORMALY DEENERGIZED

AUX ALARM NE/NDE

- NE-NORMALY ENERGIZED
- NDE-NORMALY DEENERGIZED

MODE SELECT

- HART DEVICE
- PIR9400
- PIRDUCT
- C706X
- 505
- NTMOS
- CGS
- GENERIC DEVICE

HART OPTION

TAG	XXXXX
LONG TAG	XXXXX
DESCRIPTOR	XXXXX
DATE	DD/MMM/YYYY
MESSAGE	XXXXX
FINAL ASSY NUM	XXXXX

RTC

DISPLAYED	Y/N
SECONDS	XX
MINUTES	XX
HOURS	XX
DAY	XX
MONTH	XX
YEAR	XX

BAUD RATE

- 1200
- 2400
- 4800
- 9600
- 19.2K

RS485

- BAUD RATE →
- PARITY →
- POLL ADDRESS XXXX

PARITY

- NONE
- EVEN
- ODD

OUTPUT MODE

- STANDARD
- REPLICATE

BACKLIGHT CTRL

- OFF
- ON
- AUTOMATIC

HEATER CTRL

- AUTOMATIC
- OFF

WRITE PROTECT

- CHANGE STATE
- CHANGE PASSWORD
- WRITE PROTECT XXXX

OP FEEDBACK FLT

- OFF
- ON

SCROLLING DISPLAY

- DISABLED
- ENABLED

GENERAL INFO

MANUFACTURER	→
MODEL	UD-10
TAG	XXXXX
LONG TAG	XXXXXX
DESCRIPTOR	XXXXX
DATE	DD/MMM/YYYY
MESSAGE	XXXXX
FINAL ASSY NUM	XXXXX
DEVICE ID	XXXXX

DET-TRONICS

6901 WEST 110TH STREET
MINNEAPOLIS, MN 55438
USA

FAULT

LOW CAL LINE	ON/OFF
EE FAULT	ON/OFF
ADC FAULT	ON/OFF
24V FAULT	ON/OFF
FLASH FAULT	ON/OFF
RAM FAULT	ON/OFF
WDT FAULT	ON/OFF
12V FAULT	ON/OFF
5V FAULT	ON/OFF
1.25V FAULT	ON/OFF
O/P LOOP FAULT	ON/OFF
INPUT LOOP FAULT	ON/OFF
0V FAULT	ON/OFF
ADC REF FAULT	ON/OFF

FAULT/STATUS

- OP MODE XXXXX
- FAULT Y/N
- STATUS Y/N

STATUS

ANY FAULT	ON/OFF
CAL ACTIVE	ON/OFF
WARM UP	ON/OFF
LOW RELAY ACTIVE	ON/OFF
HI RELAY ACTIVE	ON/OFF
AUX RELAY ACTIVE	ON/OFF
CURRENT FIXED	ON/OFF
MB WRITE PROTECT	ON/OFF
HART SELF TEST	ON/OFF
LON ATTACHED	ON/OFF
RESPONSE TEST	ON/OFF
MANUAL SELF TEST	ON/OFF
INPUT HART	ON/OFF

DISPLAY HISTORY

RUNNING HOURS	XXXX
MAX TEMP	XX.XX C
MAX TEMP TIME	XX:XX:XX
MIN TEMP	XX.XX C
MIN TEMP TIME	XX:XX:XX
RESET MAX MIN	
MAX RESET TEMP	XX.XX C
MAX RESET TIME	XX:XX:XX
MIN RESET TEMP	XX.XX C
MIN RESET TIME	XX:XX:XX

HISTORY

- DISPLAY HISTORY →
- EVENT LOG →

EVENT LOG

EVENT	XXXXX
DATE	DD/MMM/YYYY
TIME	HH:MM:SS

DISPLAY INFO

RTC	→
SERIAL NUMBER	XXXXX
I/O BOARD ID	XXX
MFG DATE	DD/MM/YYYY
F/W REV	XXXXX
UNIVERSAL REV	XXXXX
FIELD DEV REV	XXXXX
RUNNING HOURS	XXXXX
TEMPERATURE	XX.XX C
HEATER CTRL	AUTO/ON/OFF
BACKLIGHT CTRL	AUTO/ON/OFF
INPUT VOLTAGE	XX.XX

RTC

DISPLAYED	Y/N
SECONDS	XX
MINUTES	XX
HOURS	XX
DAY	XX
MONTH	XX
YEAR	XX

RS485

- BAUD RATE XXXXX
- PARITY XXXXX
- POLL ADDRESS XXXXX

DEBUG MENU

HART ERRORS	XXXXX
MODBUS ERRORS	XXXXX
ERROR DETAILS	→
OUTPUT READBACK	XX.XX MA
ANALOG INPUT	XX.XX MA
MAXIMUM CYCLE TIME	XXXXX
AVERAGE CYCLE TIME	XXXXX

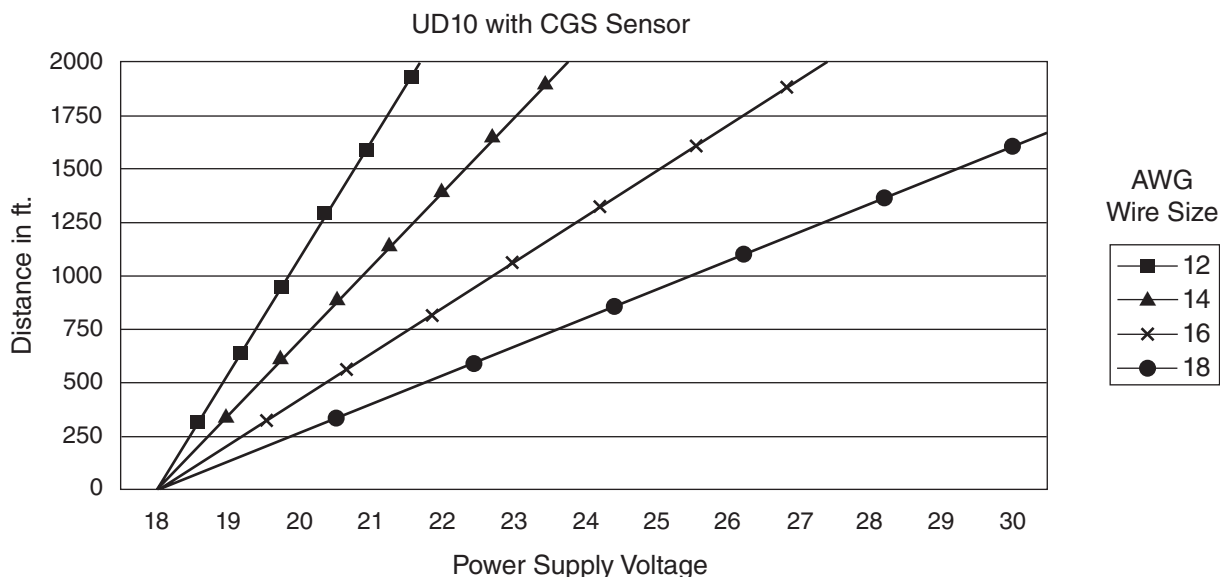
ERROR DETAILS

- HART MASTER →
- HART SLAVE →
- MODBUS →

APPENDIX M

UD10 with MODEL CGS COMBUSTIBLE GAS SENSOR

WIRING



Notes: Maximum recommended cable length from power source to UD10 is 2000 feet.
Maximum recommended cable length from UD10 to CGS sensor is 500 feet
(using 16 AWG, 1.5 mm² cable minimum).

IMPORTANT NOTES

NOTE

The UD10 with CGS Interface option and CGS sensor is certified as a “Gas Detector” and performance approved to standards FM6310/6320, ATEX 60079-29-1, and IEC 60079-29-1.

NOTE

Only Constant Current type CGS sensors may be used with the UD10.

NOTE

When the auxiliary relay is set for latching and the gas level goes above the auxiliary alarm threshold, the 4-20 mA output will latch to the highest gas level detected until it is reset. When CGS mode is selected, the default setting for the auxiliary relay is a threshold of 90% full scale, with latching output.

⚠ CAUTION

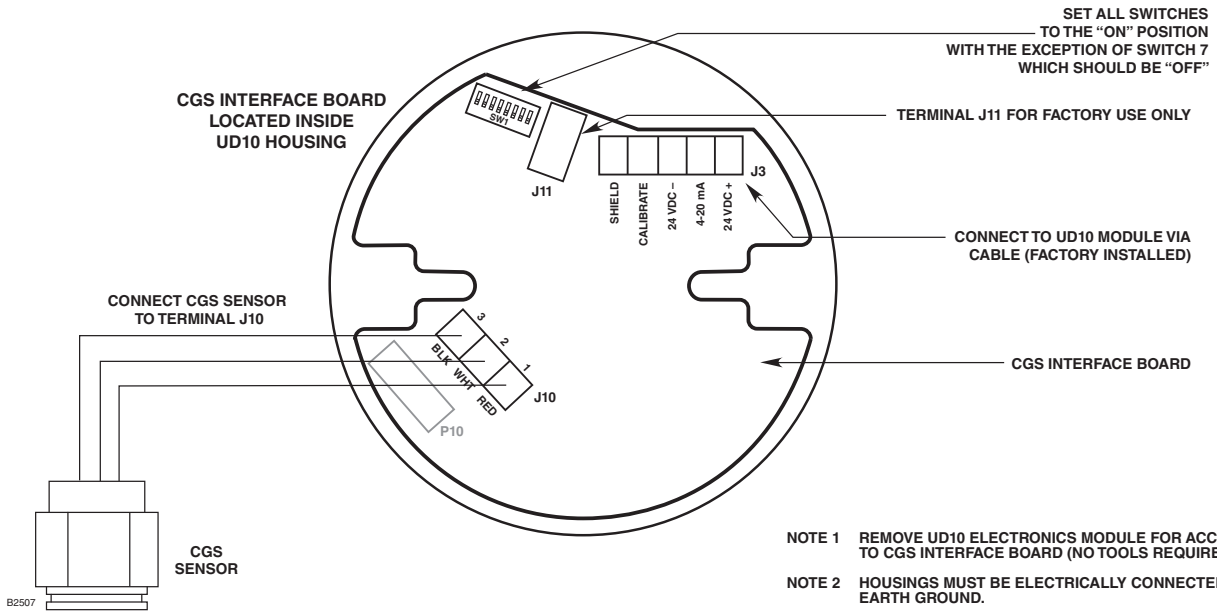
The sintered metal flame arrestor is an integral part of the combustible gas sensor. DO NOT operate the gas detector if the flame arrestor is damaged or missing, since the exposed element is a potential ignition source.

⚠ CAUTION

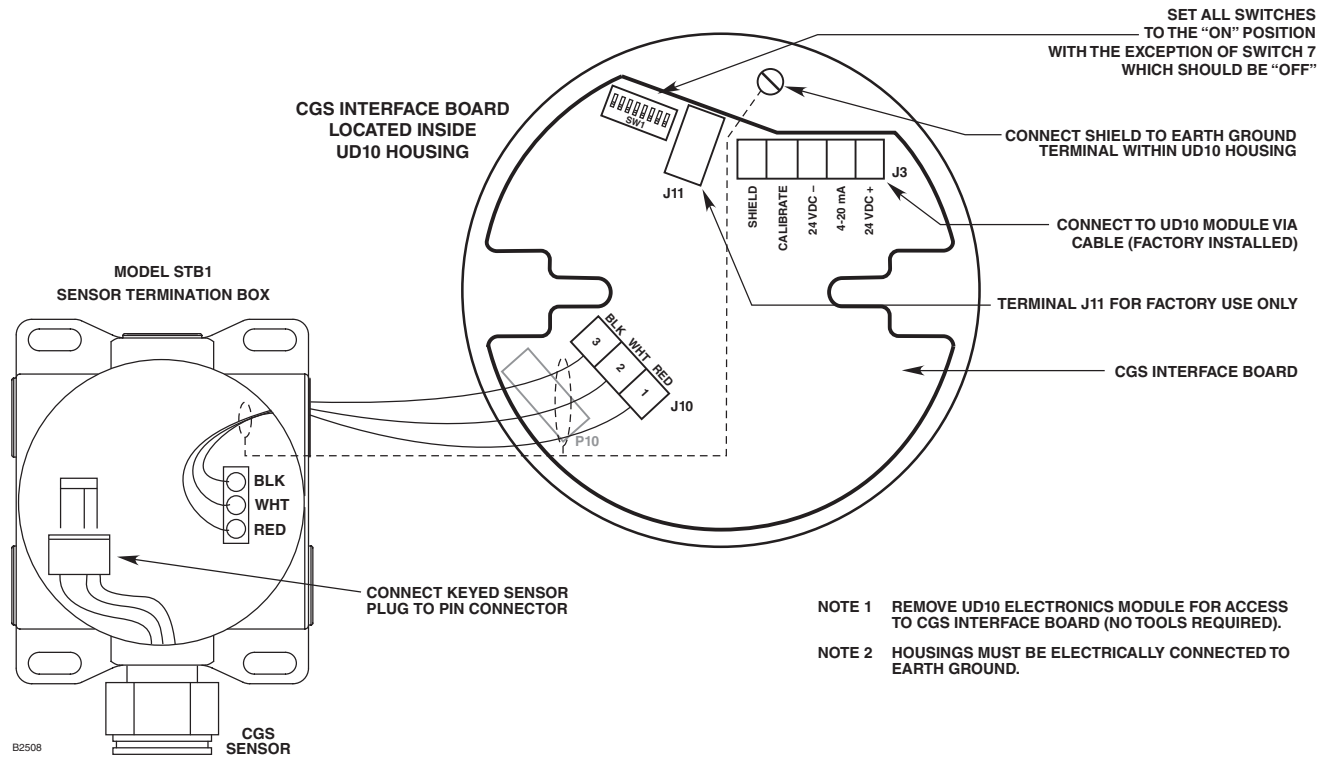
Silicone based lubricants must never be used on or near the CGS sensor, since this can result in irreversible damage to the sensing element.

⚠ CAUTION

When used as a stand alone device, the high alarm must always be programmed for latching operation. When used in conjunction with a Control Unit and configured for a non-latching high alarm, the control unit must always latch and require a deliberate manual action to clear a high gas alarm.



CGS Sensor Wired Directly to UD10



UD10 Wired to CGS Sensor with STB Termination Box

INSTALLATION

WIRING REQUIREMENTS

The simplest installation involves installing the sensor into one of the UD10 openings and connecting the wiring directly to the CGS interface board.

Sensor Separation

If the installation requires separation of the CGS sensor and the UD10 Display, the sensor can be connected to a model STB1 sensor termination box, and the CGS/STB combination wired to the UD10.

In this case, shielded cable is recommended to help protect against interference caused by extraneous electrical “noise.”

In applications where the cable is installed in conduit, the conduit should not be used for wiring to other electrical equipment whenever possible. If other equipment power wiring is run in the same conduit, the cabling **must** be shielded.

The maximum allowable distance between the CGS sensor and UD10 Display Unit is 500 feet, with connecting cable 16 AWG, 1.5 mm² minimum.

INSTALLATION AND WIRING PROCEDURE

1. Determine the best mounting locations for the detectors.
2. Install the CGS sensor within the proper opening in the UD10 or STB junction box. Mount the device with the sensor oriented vertically and the opening pointing down. All junction boxes should be electrically connected to earth ground.
3. Terminate all wiring at the proper terminals. Refer to the appropriate illustration for details.
4. Double check that all wiring is the proper size and type and has been installed correctly. Check for correct operating voltage at the device.

NOTE

Do not apply power to the system with the junction box cover removed unless the area has been de-classified.

5. Proceed with startup and calibration.

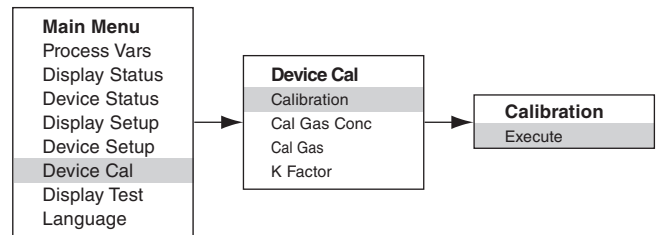
CALIBRATION

NOTE

For maximum calibration accuracy, allow a new sensor to operate under power for several hours (minimum one hour) to ensure a stable output before performing calibration. For the highest degree of accuracy, perform a second calibration after 24 hours.

To initiate calibration of the CGS sensor from the UD10 Display:

1. Using the magnet to activate the switches on the UD10 display, navigate to the “Calibrate” menu.



2. Activate “Execute” (Enter/Select) to start calibration.
3. The UD10 will display “Waiting for Zero” on the main display screen as it performs zero calibration.
4. When zero calibration is complete, the UD10 will display “Waiting for Gas” on the screen.
5. Apply calibration gas to the sensor.
6. The UD10 will display “Waiting for Span” on the screen while the span calibration is being performed.
7. When the UD10 shows “Remove Cal Gas” on the screen, remove the calibration gas from the sensor.
8. The UD10 automatically exits the Calibrate mode and returns to normal operating mode upon completion of a successful calibration.

UD10 mA Output During Calibration (UD10 with CGS)		
UD10 Display Reading	Standard Mode	Replicate Mode
Apply Zero Gas	3.8	2.2
Waiting for Gas	3.8	3.8
Waiting for Span	3.8	3.8
Remove Cal Gas	3.8	3.8
Back to Normal	4.0	4.0

Determining Sensor Life Remaining

At the time of calibration, the UD10 logs the sensor mV signal. This value can be used for determining the approximate sensor life remaining.

To view all the recorded mV signal values for the sensor, from the Main Menu, navigate to:

Device Status > Calibration Log > Span.

To view the mV signal from the most recent calibration only, from the Main Menu, navigate to:

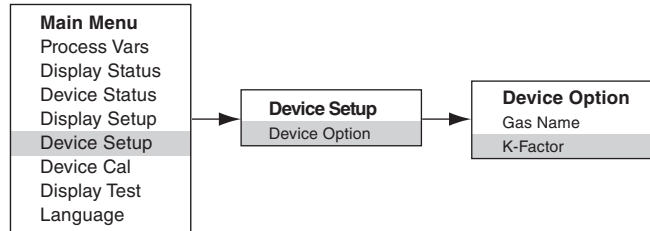
Device Status > Device Info > Response.

A typical new sensor reads between 45 and 55 mV.

- At 21-55 mV, "Cal OK" is recorded in the Cal Log, along with the Span value.
- At 15-20 mV, "Cal OK" is recorded in the Cal Log, along with the Span value. In addition, "Weak Sensor" is shown on the UD10 display for about 20 seconds. After 20 seconds, the "Weak Sensor" message is no longer seen, but a "Weak Sensor" status is recorded (Device Status > Fault/Status > Status).
- At 14 mV or less, "Weak Sensor" is shown on the UD10 display for about 20 seconds, then a Cal Fault is shown. The Cal Log shows "Cal Fail" with a Span value of 0.00 mV.

K FACTOR

If the system will be detecting a gas/vapor other than the gas used in the actual calibration process, a conversion K-Factor must be used. The K-Factor can be entered prior to calibration by navigating to the "Device Option" menu, then selecting "K-Factor." Enter the desired K-Factor and activate the "Enter" button. The new K-Factor will be applied when the sensor is calibrated.



The UD10 communicates the K-Factor to the CGS Interface Board during the calibration process, where the proper correction is made to ensure accurate calibration.

The actual effect of the K-Factor can be observed as the span portion of the calibration is completed. For example, suppose a K-Factor of 0.865 has been programmed. When calibration is performed, the UD10 will display 50% as span is accepted. It will then apply the K-Factor, and the displayed value will change to 43.3% LFL.

For additional information regarding K-Factors, including a list of K-Factors for many common gases, refer to technical bulletin number 76-1017.

MENU STRUCTURE

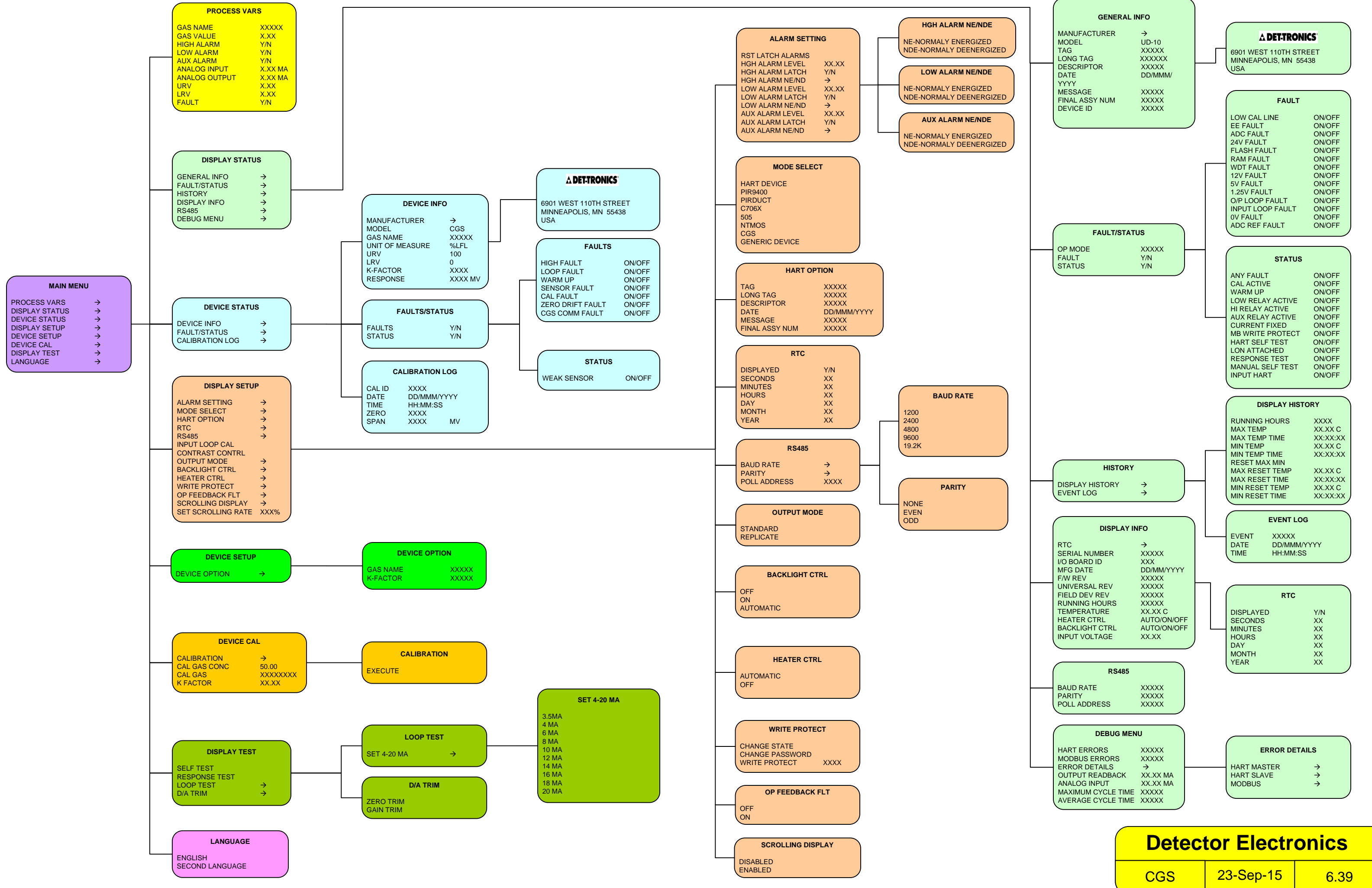
UD10 with CGS Series Sensor

Refer to the following menu when using the UD10's LCD display and internal magnetic switches.

When connecting a HART Communicator to the UD10's 4-20 mA output, refer to the "UD10 HART Handheld" menu in Appendix F.

MENU HELP

*Status menus only allow the user to view the data.
The Setup menus allow the user to both view and edit the data.*



MAIN MENU

- PROCESS VARS →
- DISPLAY STATUS →
- DEVICE STATUS →
- DISPLAY SETUP →
- DEVICE SETUP →
- DEVICE CAL →
- DISPLAY TEST →
- LANGUAGE →

PROCESS VARS

GAS NAME	XXXXX
GAS VALUE	X.XX
HIGH ALARM	Y/N
LOW ALARM	Y/N
AUX ALARM	Y/N
ANALOG INPUT	X.XX MA
ANALOG OUTPUT	X.XX MA
URV	X.XX
LRV	X.XX
FAULT	Y/N

DISPLAY STATUS

- GENERAL INFO →
- FAULT/STATUS →
- HISTORY →
- DISPLAY INFO →
- RS485 →
- DEBUG MENU →

DEVICE STATUS

- DEVICE INFO →
- FAULT/STATUS →
- CALIBRATION LOG →

DISPLAY SETUP

- ALARM SETTING →
- MODE SELECT →
- HART OPTION →
- RTC →
- RS485 →
- INPUT LOOP CAL
- CONTRAST CONTRL →
- OUTPUT MODE →
- BACKLIGHT CTRL →
- HEATER CTRL →
- WRITE PROTECT →
- OP FEEDBACK FLT →
- SCROLLING DISPLAY →
- SET SCROLLING RATE XXX%

DEVICE SETUP

- DEVICE OPTION →

DEVICE CAL

- CALIBRATION →
- CAL GAS CONC 50.00
- CAL GAS XXXXXXXX
- K FACTOR XX.XX

DISPLAY TEST

- SELF TEST
- RESPONSE TEST
- LOOP TEST →
- D/A TRIM →

LANGUAGE

- ENGLISH
- SECOND LANGUAGE

DEVICE INFO

- MANUFACTURER →
- MODEL CGS
- GAS NAME XXXXX
- UNIT OF MEASURE %LFL
- URV 100
- LRV 0
- K-FACTOR XXXX
- RESPONSE XXXX MV

FAULTS/STATUS

- FAULTS Y/N
- STATUS Y/N

CALIBRATION LOG

CAL ID	XXXX	
DATE	DD/MMM/YYYY	
TIME	HH:MM:SS	
ZERO	XXXX	
SPAN	XXXX	MV

DETRONICS

6901 WEST 110TH STREET
MINNEAPOLIS, MN 55438
USA

FAULTS

HIGH FAULT	ON/OFF
LOOP FAULT	ON/OFF
WARM UP	ON/OFF
SENSOR FAULT	ON/OFF
CAL FAULT	ON/OFF
ZERO DRIFT FAULT	ON/OFF
CGS COMM FAULT	ON/OFF

STATUS

- WEAK SENSOR ON/OFF

DEVICE OPTION

- GAS NAME XXXXX
- K-FACTOR XXXXX

CALIBRATION

- EXECUTE

LOOP TEST

- SET 4-20 MA →

D/A TRIM

- ZERO TRIM
- GAIN TRIM

SET 4-20 MA

- 3.5MA
- 4 MA
- 6 MA
- 8 MA
- 10 MA
- 12 MA
- 14 MA
- 16 MA
- 18 MA
- 20 MA

ALARM SETTING

- RST LATCH ALARMS
- HGH ALARM LEVEL XX.XX
- HGH ALARM LATCH Y/N
- HGH ALARM NE/ND →
- LOW ALARM LEVEL XX.XX
- LOW ALARM LATCH Y/N
- LOW ALARM NE/ND →
- AUX ALARM LEVEL XX.XX
- AUX ALARM LATCH Y/N
- AUX ALARM NE/ND →

HGH ALARM NE/NDE

- NE-NORMALY ENERGIZED
- NDE-NORMALY DEENERGIZED

LOW ALARM NE/NDE

- NE-NORMALY ENERGIZED
- NDE-NORMALY DEENERGIZED

AUX ALARM NE/NDE

- NE-NORMALY ENERGIZED
- NDE-NORMALY DEENERGIZED

MODE SELECT

- HART DEVICE
- PIR9400
- PIRDUCT
- C706X
- 505
- NTMOS
- CGS
- GENERIC DEVICE

HART OPTION

- TAG XXXXX
- LONG TAG XXXXX
- DESCRIPTOR XXXXX
- DATE DD/MMM/YYYY
- MESSAGE XXXXX
- FINAL ASSY NUM XXXXX

RTC

- DISPLAYED Y/N
- SECONDS XX
- MINUTES XX
- HOURS XX
- DAY XX
- MONTH XX
- YEAR XX

BAUD RATE

- 1200
- 2400
- 4800
- 9600
- 19.2K

RS485

- BAUD RATE →
- PARITY →
- POLL ADDRESS XXXX

PARITY

- NONE
- EVEN
- ODD

OUTPUT MODE

- STANDARD
- REPLICATE

BACKLIGHT CTRL

- OFF
- ON
- AUTOMATIC

HEATER CTRL

- AUTOMATIC
- OFF

WRITE PROTECT

- CHANGE STATE
- CHANGE PASSWORD
- WRITE PROTECT XXXX

OP FEEDBACK FLT

- OFF
- ON

SCROLLING DISPLAY

- DISABLED
- ENABLED

GENERAL INFO

- MANUFACTURER →
- MODEL UD-10
- TAG XXXXX
- LONG TAG XXXXXX
- DESCRIPTOR XXXXX
- DATE DD/MMM/YYYY
- MESSAGE XXXXX
- FINAL ASSY NUM XXXXX
- DEVICE ID XXXXX

DETRONICS

6901 WEST 110TH STREET
MINNEAPOLIS, MN 55438
USA

FAULT

LOW CAL LINE	ON/OFF
EE FAULT	ON/OFF
ADC FAULT	ON/OFF
24V FAULT	ON/OFF
FLASH FAULT	ON/OFF
RAM FAULT	ON/OFF
WDT FAULT	ON/OFF
12V FAULT	ON/OFF
5V FAULT	ON/OFF
1.25V FAULT	ON/OFF
O/P LOOP FAULT	ON/OFF
INPUT LOOP FAULT	ON/OFF
0V FAULT	ON/OFF
ADC REF FAULT	ON/OFF

STATUS

ANY FAULT	ON/OFF
CAL ACTIVE	ON/OFF
WARM UP	ON/OFF
LOW RELAY ACTIVE	ON/OFF
HI RELAY ACTIVE	ON/OFF
AUX RELAY ACTIVE	ON/OFF
CURRENT FIXED	ON/OFF
MB WRITE PROTECT	ON/OFF
HART SELF TEST	ON/OFF
LON ATTACHED	ON/OFF
RESPONSE TEST	ON/OFF
MANUAL SELF TEST	ON/OFF
INPUT HART	ON/OFF

DISPLAY HISTORY

RUNNING HOURS	XXXX
MAX TEMP	XX.XX C
MAX TEMP TIME	XX:XX:XX
MIN TEMP	XX.XX C
MIN TEMP TIME	XX:XX:XX
RESET MAX MIN	
MAX RESET TEMP	XX.XX C
MAX RESET TIME	XX:XX:XX
MIN RESET TEMP	XX.XX C
MIN RESET TIME	XX:XX:XX

EVENT LOG

EVENT	XXXXX
DATE	DD/MMM/YYYY
TIME	HH:MM:SS

RTC

DISPLAYED	Y/N
SECONDS	XX
MINUTES	XX
HOURS	XX
DAY	XX
MONTH	XX
YEAR	XX

FAULT/STATUS

- OP MODE XXXXX
- FAULT Y/N
- STATUS Y/N

HISTORY

- DISPLAY HISTORY →
- EVENT LOG →

DISPLAY INFO

- RTC →
- SERIAL NUMBER XXXXX
- I/O BOARD ID XXX
- MFG DATE DD/MM/YYYY
- F/W REV XXXXX
- UNIVERSAL REV XXXXX
- FIELD DEV REV XXXXX
- RUNNING HOURS XXXXX
- TEMPERATURE XX.XX C
- HEATER CTRL AUTO/ON/OFF
- BACKLIGHT CTRL AUTO/ON/OFF
- INPUT VOLTAGE XX.XX

RS485

- BAUD RATE XXXXX
- PARITY XXXXX
- POLL ADDRESS XXXXX

DEBUG MENU

- HART ERRORS XXXXX
- MODBUS ERRORS XXXXX
- ERROR DETAILS →
- OUTPUT READBACK XX.XX MA
- ANALOG INPUT XX.XX MA
- MAXIMUM CYCLE TIME XXXXX
- AVERAGE CYCLE TIME XXXXX

ERROR DETAILS

- HART MASTER →
- HART SLAVE →
- MODBUS →

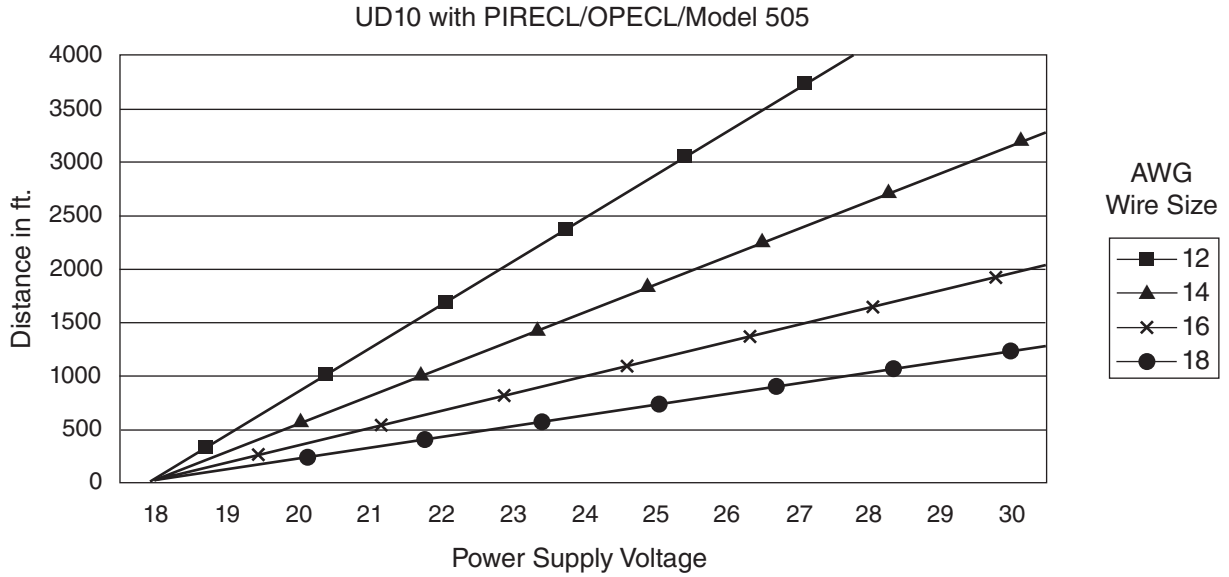
APPENDIX N

UD10 with MODEL 505 TRANSMITTER / CGS SENSOR

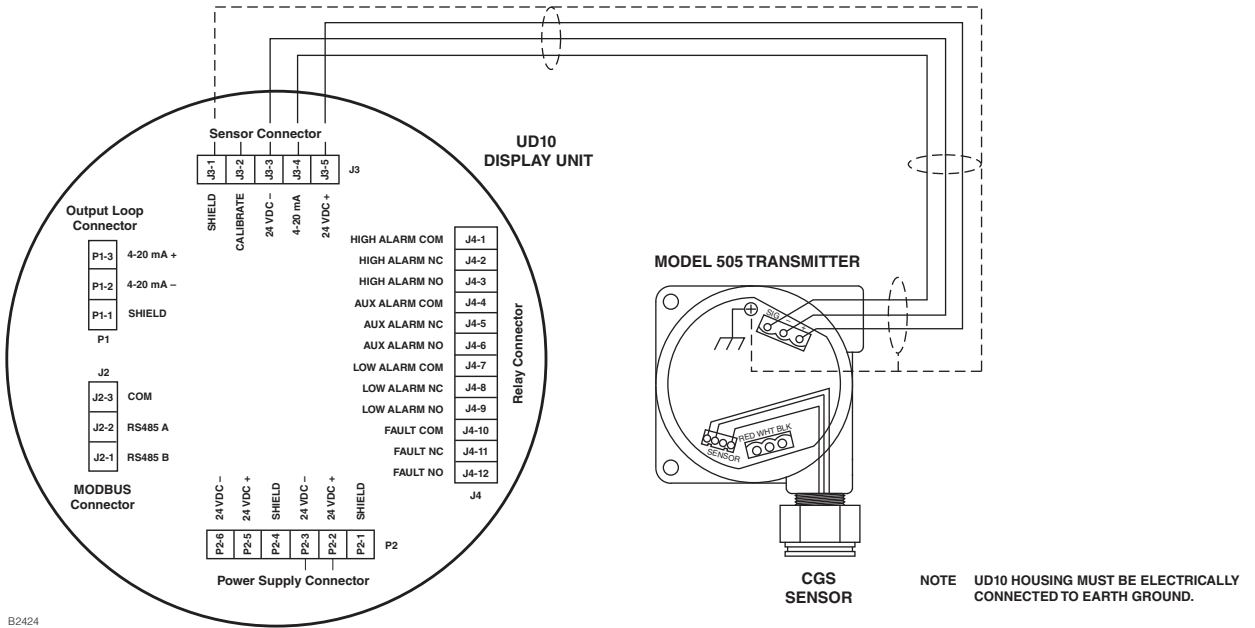
NOTE

For complete information regarding the Model 505 Transmitter, refer to instruction manual 95-8472.

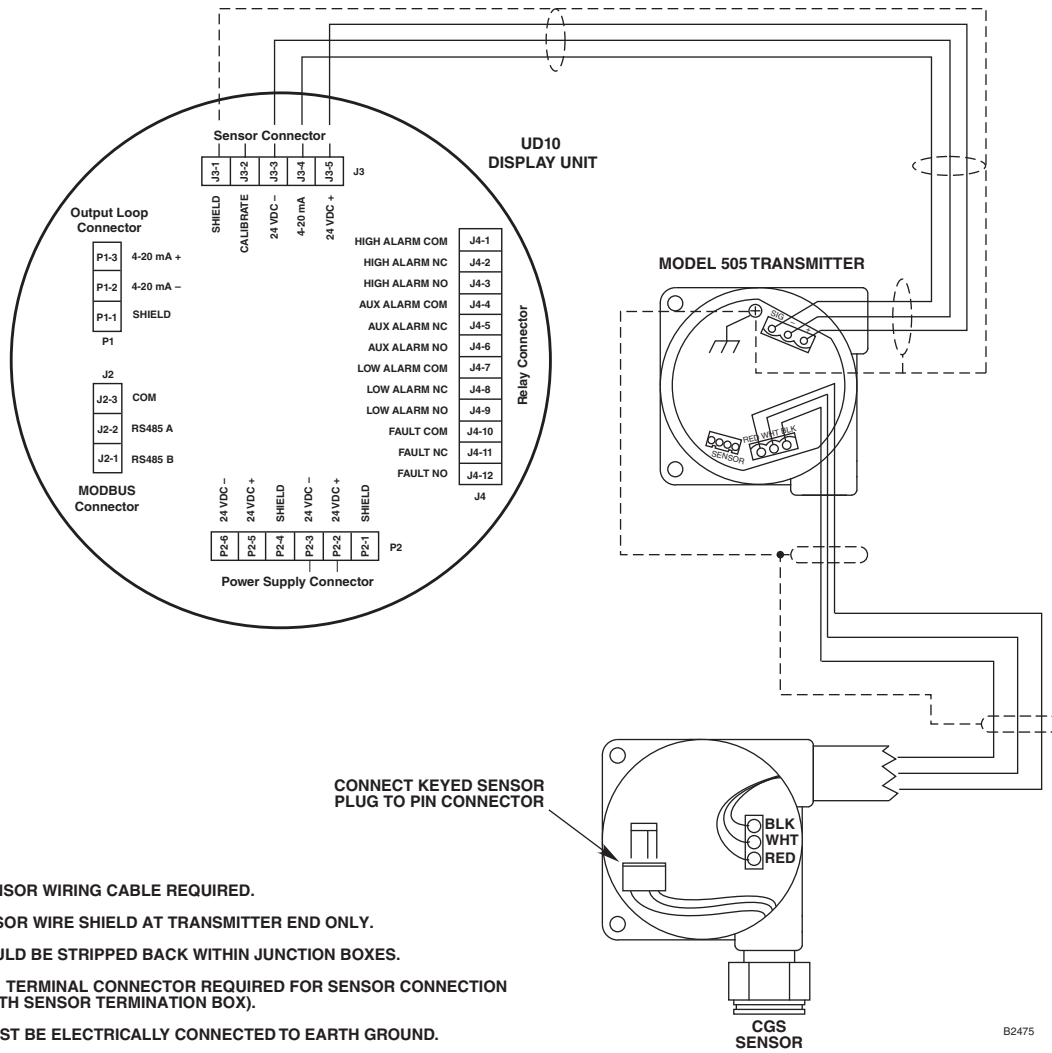
WIRING



Notes: Maximum recommended cable length from power source to UD10 is 2000 feet.
Maximum recommended cable length from UD10 to sensor/STB termination box is 2000 feet.



UD10 Wired to Model 505 Transmitter/CGS Sensor



- NOTES**
1. SHIELDED SENSOR WIRING CABLE REQUIRED.
 2. GROUND SENSOR WIRE SHIELD AT TRANSMITTER END ONLY.
 3. SHIELDS SHOULD BE STRIPPED BACK WITHIN JUNCTION BOXES.
 4. P/N 102883-001 TERMINAL CONNECTOR REQUIRED FOR SENSOR CONNECTION (PROVIDED WITH SENSOR TERMINATION BOX).
 5. HOUSINGS MUST BE ELECTRICALLY CONNECTED TO EARTH GROUND.

UD10 Wired to Model 505 Transmitter/CGS Sensor Using Sensor Separation Termination Box

INSTALLATION

Refer to the Model 505 instruction manual number 95-8472 for complete information regarding proper installation of the Model 505 with combustible gas sensor.

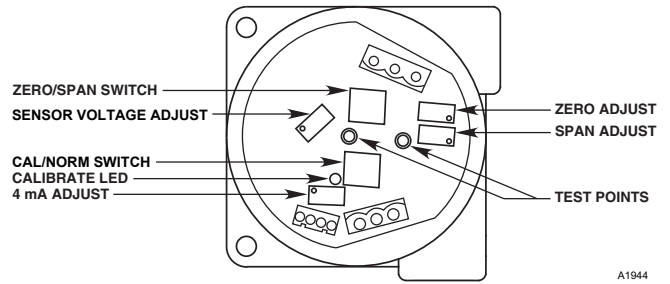
ORIENTATION

The Model 505/CGS must be mounted with the CGS sensor opening pointing down.

CALIBRATION

NOTE

For maximum calibration accuracy, allow a new sensor to operate under power for several hours (minimum one hour) to ensure a stable output before performing calibration. For the highest degree of accuracy, perform a second calibration after 24 hours.



A1944

Model 505

The Model 505/CGS must be calibrated when the system is commissioned as well as when the CGS sensor is replaced. Calibration is performed at the Model 505 using the following procedure. Calibration at the UD10 is not supported.

WARNING		
<i>Before removing the junction box cover, verify that no dangerous levels of gas are present.</i>		
Step	Switch Position	Operator Action
1	CAL/NORM switch in the CAL position.	<ol style="list-style-type: none"> 1. LED turns on. 2. Connect a digital voltmeter to the transmitter test jacks. 3. Set the meter range to 2 Vdc.
2	ZERO/SPAN switch in the ZERO position.	<ol style="list-style-type: none"> 1. Adjust the ZERO potentiometer to read 0.000 Vdc on the voltmeter. See Note 3 below.
3	ZERO/SPAN switch in the SPAN position.	<ol style="list-style-type: none"> 1. Adjust the 4 mA potentiometer to read 0.167 Vdc on the voltmeter. 2. Apply the 50% LFL calibration gas to the sensor. When the output has stabilized, adjust the SPAN potentiometer for a reading of 0.500 on the voltmeter.
4	ZERO/SPAN switch in the ZERO position.	<ol style="list-style-type: none"> 1. Sensitivity test. The meter must read greater than 0.015 Vdc. See Note 4 below. 2. Remove the calibration gas. 3. When the meter reads 0.002 Vdc or less, remove the test probes.
5	CAL/NORM switch in NORM position.	<ol style="list-style-type: none"> 1. The LED turns off. 2. The calibration is complete. 3. Replace the junction box cover.

NOTES:

1. When the CAL/NORM switch is in the CAL position, the yellow LED turns on and the 4-20 mA output signal goes to 3.4 mA.
2. The voltmeter must be suitable for use in a hazardous location.
3. If the possibility of background gases exists, purge the sensor with clean air prior to the zero adjustment to assure accurate calibration.
4. A typical sensitivity reading with 50% LFL gas applied to the sensor is 35 to 50 millivolts for a new sensor. Sensor replacement is recommended when the sensitivity reading is less than 15 millivolts.
5. If a dust cover or splash shield is used, inspect it to be sure that it is not dirty or plugged. A plugged dust cover can restrict the flow of gas to the sensing element, seriously reducing its effectiveness. For optimum performance, sensor covers/filters should be replaced frequently to ensure that they are not degraded or plugged.

MENU STRUCTURE

UD10 with Model 505 / CGS Sensor

Refer to the following menu when using the UD10's LCD display and internal magnetic switches.

When connecting a HART Communicator to the UD10's 4-20 mA output, refer to the "UD10 HART Handheld" menu in Appendix F.

MENU HELP

Status menus only allow the user to view the data.

The Setup menus allow the user to both view and edit the data.

MAIN MENU

- PROCESS VARS →
- DISPLAY STATUS →
- DEVICE STATUS →
- DISPLAY SETUP →
- DEVICE CAL →
- DISPLAY TEST →
- LANGUAGE →

PROCESS VARS

GAS NAME	XXXXXXX
GAS VALUE	X.XX
HIGH ALARM	Y/N
LOW ALARM	Y/N
AUX ALARM	Y/N
ANALOG INPUT	X.XX MA
ANALOG OUTPUT	X.XX MA
URV	X.XX
LRV	X.XX
FAULT	Y/N

DISPLAY STATUS

- GENERAL INFO →
- FAULT/STATUS →
- HISTORY →
- DISPLAY INFO →
- RS485 →
- DEBUG MENU →

DEVICE STATUS

- FAULT/STATUS →

DISPLAY SETUP

- ALARM SETTING →
- MODE SELECT →
- HART OPTION →
- RTC →
- RS485 →
- INPUT LOOP CAL →
- CONTRAST CONTRL →
- OUTPUT MODE →
- BACKLIGHT CTRL →
- HEATER CTRL →
- WRITE PROTECT →
- OP FEEDBACK FLT →
- SCROLLING DISPLAY →
- SET SCROLLING RATE XXX%

DEVICE SETUP

- GAS NAME XXXX
- DETECTOR TYPE →

FAULTS/ STATUS

- FAULTS Y/N

FAULTS

- HIGH FAULT ON/OFF
- LOW FAULT ON/OFF

CALIBRATION LOG

CAL ID	XXXX
DATE	DD/MMM/YYYY
TIME	HH:MM:SS
ZERO	XXXX
SPAN	XXXX

DETECTOR TYPE

505 CH4 100 %LFL

DEVICE CAL

- CALIBRATION →
- CAL GAS CONC XXX.XX

CALIBRATION

- EXECUTE
- ABORT

DISPLAY TEST

- SELF TEST
- RESPONSE TEST
- LOOP TEST →
- D/A TRIM →

LOOP TEST

- SET 4-20 MA →

D/A TRIM

- ZERO TRIM
- GAIN TRIM

SET 4-20 MA

- 3.5 MA
- 4 MA
- 6 MA
- 8 MA
- 10 MA
- 12 MA
- 14 MA
- 16 MA
- 18 MA
- 20 MA

LANGUAGE

- ENGLISH
- SECOND LANGUAGE

ALARM SETTING

RST LATCH ALARMS	XX.XX
HGH ALARM LEVEL	Y/N
HGH ALARM LATCH	Y/N
HGH ALARM NE/ND	XX.XX
LOW ALARM LEVEL	Y/N
LOW ALARM LATCH	Y/N
LOW ALARM NE/ND	XX.XX
AUX ALARM LEVEL	Y/N
AUX ALARM LATCH	Y/N
AUX ALARM NE/ND	XX.XX

HGH ALARM NE/NDE

- NE-NORMALY ENERGIZED
- NDE-NORMALY DEENERGIZED

LOW ALARM NE/NDE

- NE-NORMALY ENERGIZED
- NDE-NORMALY DEENERGIZED

AUX ALARM NE/NDE

- NE-NORMALY ENERGIZED
- NDE-NORMALY DEENERGIZED

MODE SELECT

- HART DEVICE
- PIR9400
- PIRDUCT
- C706X
- 505
- NTMOS
- CGS
- GENERIC DEVICE

HART OPTION

TAG	XXXXX
LONG TAG	XXXXX
DESCRIPTOR	XXXXX
DATE	DD/MMM/YYYY
MESSAGE	XXXXX
FINAL ASSY NUM	XXXXX

RTC

DISPLAYED	Y/N
SECONDS	XX
MINUTES	XX
HOURS	XX
DAY	XX
MONTH	XX
YEAR	XX

RS485

- BAUD RATE →
- PARITY →
- POLL ADDRESS XXXX

BAUD RATE

- 1200
- 2400
- 4800
- 9600
- 19.2K

PARITY

- NONE
- EVEN
- ODD

OUTPUT MODE

- STANDARD
- REPLICATE

BACKLIGHT CTRL

- OFF
- ON
- AUTOMATIC

HEATER CTRL

- AUTOMATIC
- OFF

WRITE PROTECT

- CHANGE STATE
- CHANGE PASSWORD
- WRITE PROTECT XXXX

OP FEEDBACK FLT

- OFF
- ON

SCROLLING DISPLAY

- DISABLED
- ENABLED

GENERAL INFO

MANUFACTURER	→
MODEL	UD-10
TAG	XXXXXX
LONG TAG	XXXXXX
DESCRIPTOR	XXXXX
DATE	DD/MMM/YYYY
MESSAGE	XXXXX
FINAL ASSY NUM	XXXXX
DEVICE ID	XXXXX

DET-TRONICS

6901 WEST 110TH STREET
MINNEAPOLIS, MN 55438
USA

FAULT/STATUS

- OP MODE XXXXX
- FAULT Y/N
- STATUS Y/N

FAULT

LOW CAL LINE	ON/OFF
EE FAULT	ON/OFF
ADC FAULT	ON/OFF
24V FAULT	ON/OFF
FLASH FAULT	ON/OFF
RAM FAULT	ON/OFF
WDT FAULT	ON/OFF
12V FAULT	ON/OFF
5V FAULT	ON/OFF
1.25V FAULT	ON/OFF
O/P LOOP FAULT	ON/OFF
INPUT LOOP FAULT	ON/OFF
0V FAULT	ON/OFF
ADC REF FAULT	ON/OFF

STATUS

ANY FAULT	ON/OFF
CAL ACTIVE	ON/OFF
WARM UP	ON/OFF
LOW RELAY ACTIVE	ON/OFF
HI RELAY ACTIVE	ON/OFF
AUX RELAY ACTIVE	ON/OFF
CURRENT FIXED	ON/OFF
MB WRITE PROTECT	ON/OFF
HART SELF TEST	ON/OFF
LON ATTACHED	ON/OFF
RESPONSE TEST	ON/OFF
MANUAL SELF TEST	ON/OFF
INPUT HART	ON/OFF

HISTORY

- DISPLAY HISTORY →
- EVENT LOG →

DISPLAY HISTORY

RUNNING HOURS	XXXX
MAX TEMP	XX.XX C
MAX TEMP TIME	XX:XX:XX
MIN TEMP	XX.XX C
MIN TEMP TIME	XX:XX:XX
RESET MAX MIN	
MAX RESET TEMP	XX.XX C
MAX RESET TIME	XX:XX:XX
MIN RESET TEMP	XX.XX C
MIN RESET TIME	XX:XX:XX

EVENT LOG

EVENT	XXXXX
DATE	DD/MMM/YYYY
TIME	HH:MM:SS

DISPLAY INFO

RTC	→
SERIAL NUMBER	XXXXX
I/O BOARD ID	XXX
MFG DATE	DD/MM/YYYY
F/W REV	XXXXX
UNIVERSAL REV	XXXXX
FIELD DEV REV	XXXXX
RUNNING HOURS	XXXXX
TEMPERATURE	XX.XX C
HEATER CTRL	AUTO/ON/OFF
BACKLIGHT CTRL	AUTO/ON/OFF
INPUT VOLTAGE	XX.XX

RTC

DISPLAYED	Y/N
SECONDS	XX
MINUTES	XX
HOURS	XX
DAY	XX
MONTH	XX
YEAR	XX

RS485

- BAUD RATE XXXXX
- PARITY XXXXX
- POLL ADDRESS XXXXX

DEBUG MENU

HART ERRORS	XXXXX
MODBUS ERRORS	XXXXX
ERROR DETAILS	→
OUTPUT READBACK	XX.XX MA
ANALOG INPUT	XX.XX MA
MAXIMUM CYCLE TIME	XXXXX
AVERAGE CYCLE TIME	XXXXX

ERROR DETAILS

- HART MASTER →
- HART SLAVE →
- MODBUS →

Detector Electronics

505	23-Sep-15	6.39
-----	-----------	------

APPENDIX O

UD10 with GENERIC 4-20 mA SENSORS

NOTE

For complete information regarding installation, wiring, and calibration of the sensor, refer to the instruction manual provided by the sensor manufacturer.

OPERATION

The UD10 can be used with generic sensors that generate a calibrated linear 4-20 mA signal, with or without HART. The UD10 allows the operator to select the upper and lower range values and unit of measurement. The UD10 then analyzes the 4-20 mA input signal from the sensor and displays the value with the designated measurement unit, and also controls the alarm outputs.

UPPER AND LOWER RANGE VALUES

The upper range value (URV) and lower range value (LRV) are selected using the magnetic tool and the UD10's menu system (Main Menu > Device Setup). The URV corresponds to the 20 mA signal while the LRV corresponds to 4 mA. The default values are 0 for the LRV and 100 for the URV. When the generic detector supports HART communication, the URV and LRV come from the attached detector.

MEASUREMENT UNIT TEXT

The operator can select the appropriate measurement unit from a pre-entered list: % (default), PPM, LFL, or PPB, or he can enter his own custom 4-character string. Measurement unit text is displayed on the main screen with the process variable. When the generic detector supports HART communication, the unit text comes from the attached detector.

LOW FAULT THRESHOLD

The operator can enter a low input fault threshold in the range of 0.5–4 mA (default is 3.5 mA). When the input signal is at or below this point, an "Out of Range Low Fault" is annunciated. This feature can be enabled/disabled as desired.

HIGH FAULT THRESHOLD

The operator can enter a high input fault threshold in the range of 20–27 mA (default is 21 mA). When the input signal is at or above this point, an "Out of Range High Fault" is annunciated. This feature can be enabled/disabled as desired.

ALARMS

The Low, High, and Auxiliary alarm levels are independently field adjustable. Alarm levels are set and displayed with the selected measurement units. All alarm levels must be within the LRV to URV range.

ALARM LATCHING

Latching or non-latching function is independently selectable for each alarm. The default setting is non-latching. Latched alarms can be reset with a "Reset Latched Alarms" command from the menu system or a power cycle.

SENSOR CALIBRATION

The UD10 does not support generic sensor calibration. Generic sensors must be pre-calibrated following the procedure described in the instruction manual provided by the sensor manufacturer.

4-20 MA OUTPUT READING

While in Generic mode, the UD10 displays values below the 4 mA level to allow the use of 0-20 mA sensors.

MENU STRUCTURE

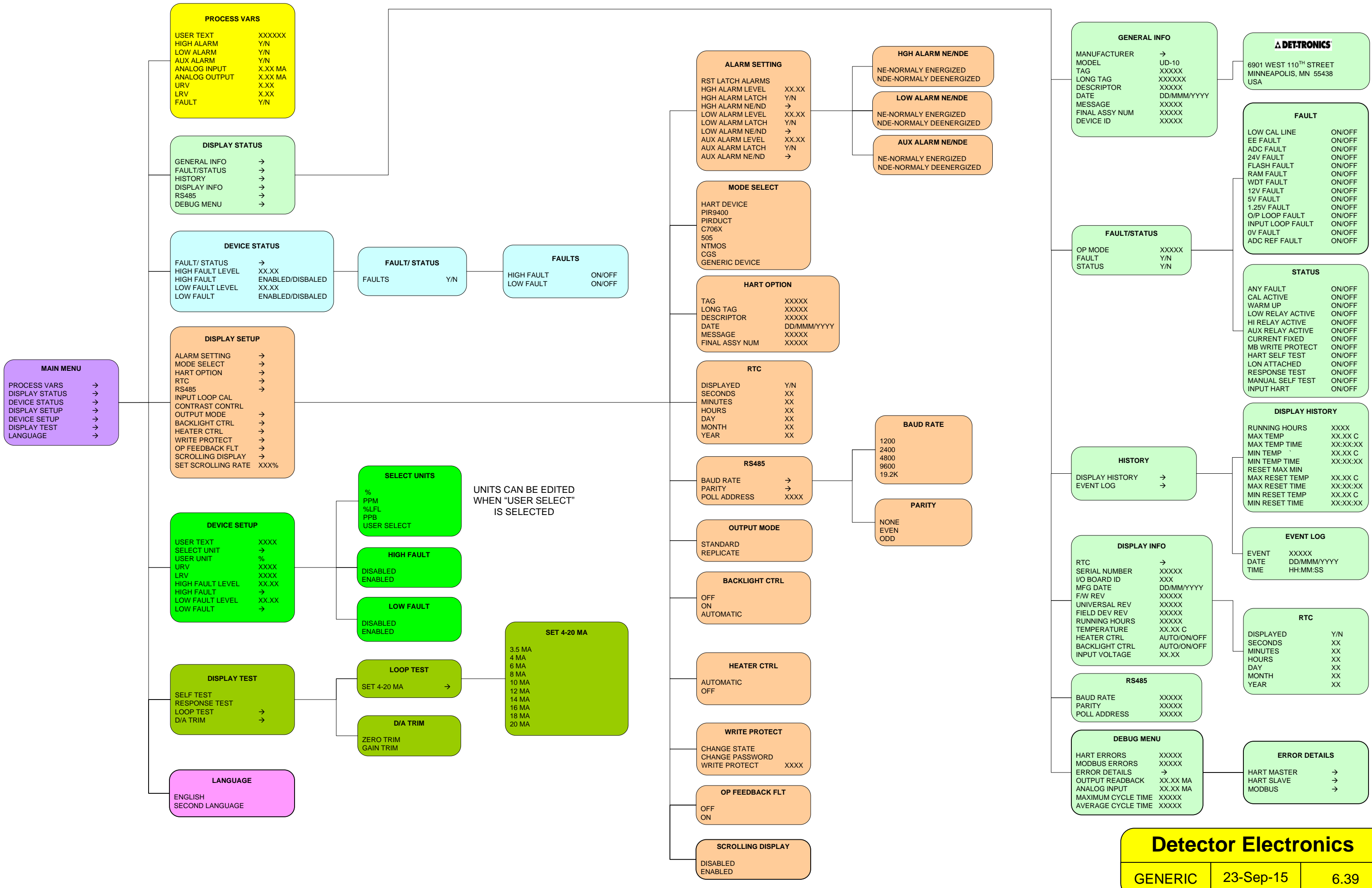
UD10 with Generic 4-20 mA Sensors

Refer to the following menus when using the UD10's LCD display and internal magnetic switches. Two different menus are provided to accommodate sensors with or without HART communication.

When connecting a HART Communicator to the UD10's 4-20 mA output, refer to the "UD10 HART Handheld" menu in Appendix F.

MENU HELP

Status menus only allow the user to view the data. The Setup menus allow the user to both view and edit the data.



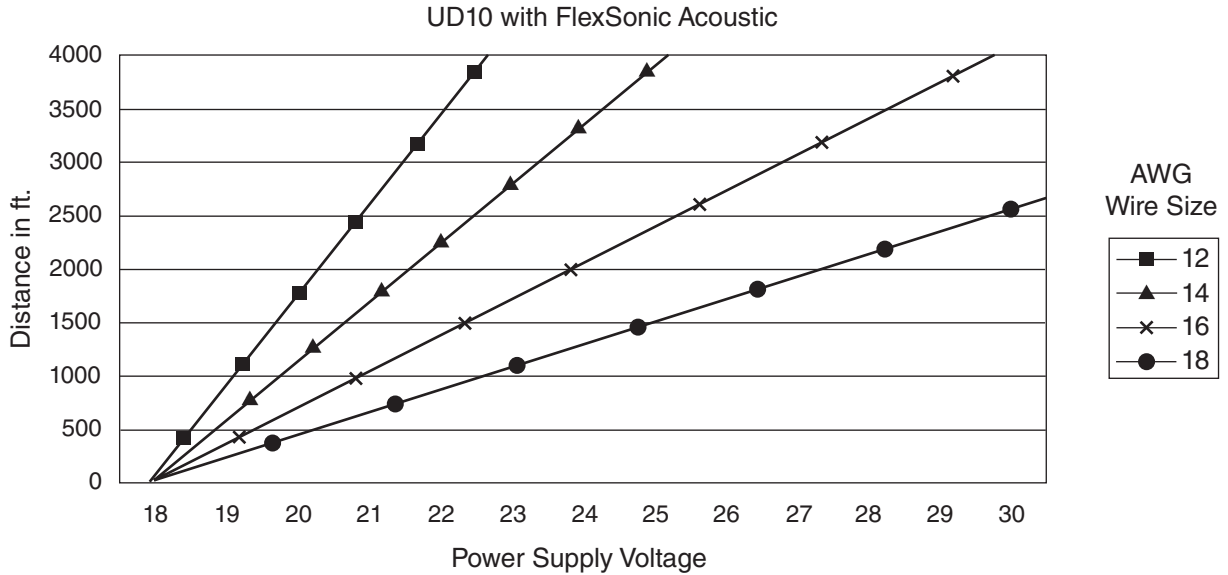
APPENDIX P

UD10 with FLEXSONIC ACOUSTIC GAS DETECTOR

NOTE

For complete information regarding the FlexSonic Acoustic Detector, refer to instruction manual 95-8657.

WIRING



Notes: Maximum recommended cable length from power source to UD10 is 2000 feet.
Maximum recommended cable length from UD10 to sensor is 2000 feet.

INSTALLATION

NOTE

Detector housings must be electrically connected to earth ground. A dedicated earth ground terminal is provided.

NOTE

The AC100 has an Intrinsic Safety (IS) Barrier. Proper NEC/CEC IS grounded must be ensured.

NOTE

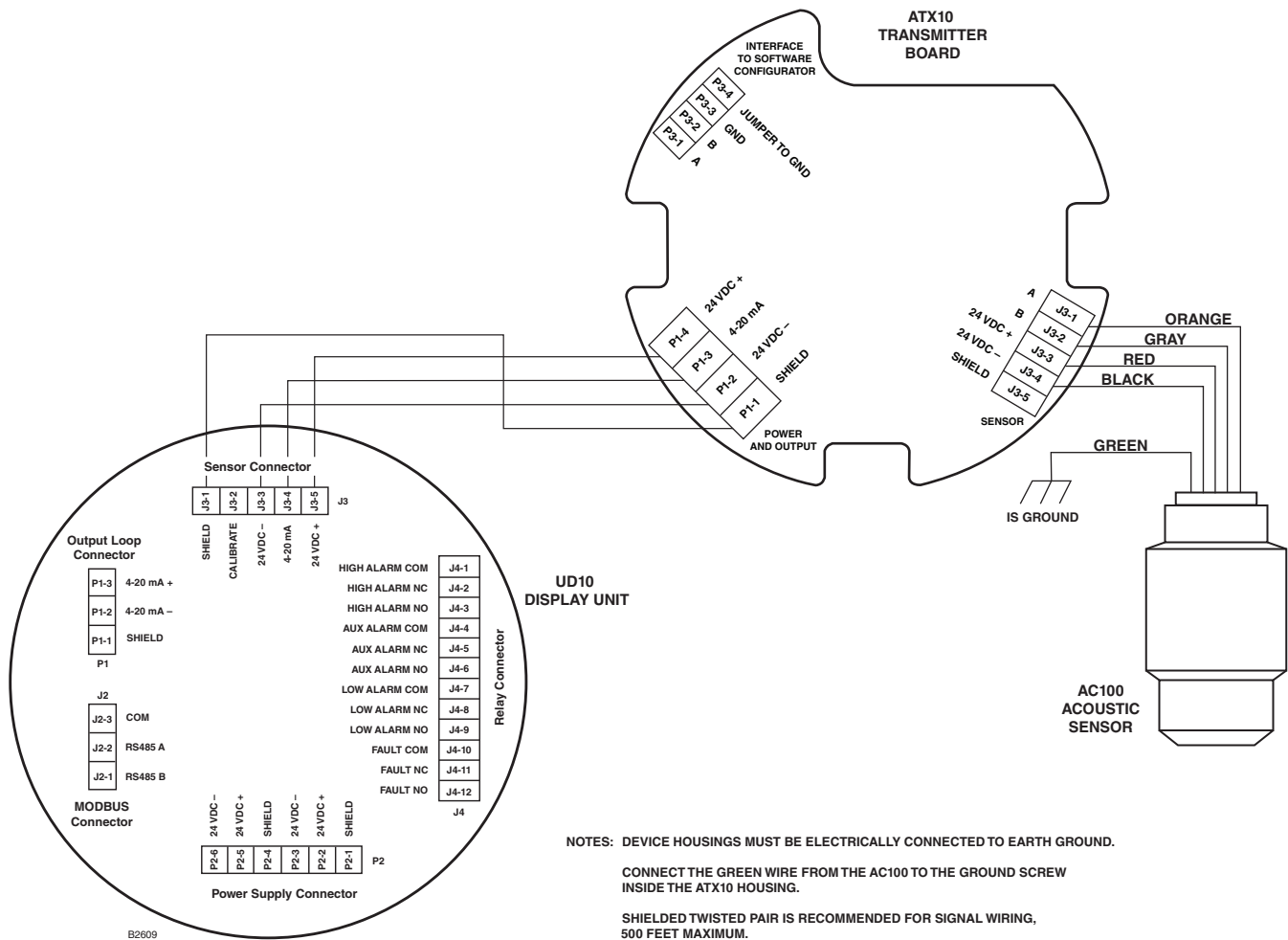
The detector must always be installed per local installation codes.

NOTE

Use of a threaded adapter for connecting the AC100 to the STB or ATX10 is prohibited.

NOTE

The ATX10 transmitter module is shipped with the SD card installed in the memory module. A piece of tape has been installed to secure the card in place and prevent it from becoming dislodged during shipping. The shipping tape should be removed prior to commissioning the acoustic detector.



ATX10 Transmitter with AC100 Wired Directly to UD10

UD10 OPERATION

When used with the FlexSonic Acoustic Detector, the main UD10 screen appears as shown in Figure 6-1. The selected alarm mode (Basic or Profile) is displayed in the upper right corner with the alarm level shown in dB. The current date and time are displayed at the bottom of the screen. Alarm or fault status information is shown at the top of the screen.

The spectrum display on the UD10 uses 12 bands to summarize the FlexSonic Detector's 144 band spectrum in the following way:

- The first 4 bands summarize the audible range (20 Hz - 20 kHz). Each of the first 4 bands represents an aggregate of 30 bands from the spectrum, for a total of 120 bands. See Figure 6-2.
- The remaining 8 bands summarize the ultrasonic range from 20 kHz – 80 kHz. Each of the these bands represents an aggregate of 3 bands from the spectrum, for a total of 24 bands.

- The Y axis of the display represents the band amplitude in dB, scaled to fit the full height of the graph at the maximum amplitude of 139 dB.
- The amplitude of displayed bands is determined by taking the peak amplitude of the bands included within each of the aggregated groups of bands.

The alarm threshold is summarized in 12 bands using the method described above. The portion of the band that exceeds the alarm threshold is inverted (displayed in white) as shown in Figure 6-2.

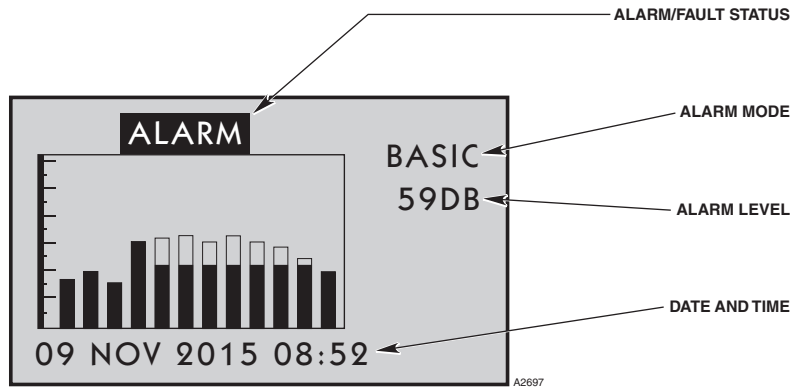


Figure 6-1—UD10 Screen When Used with FlexSonic Acoustic Detector

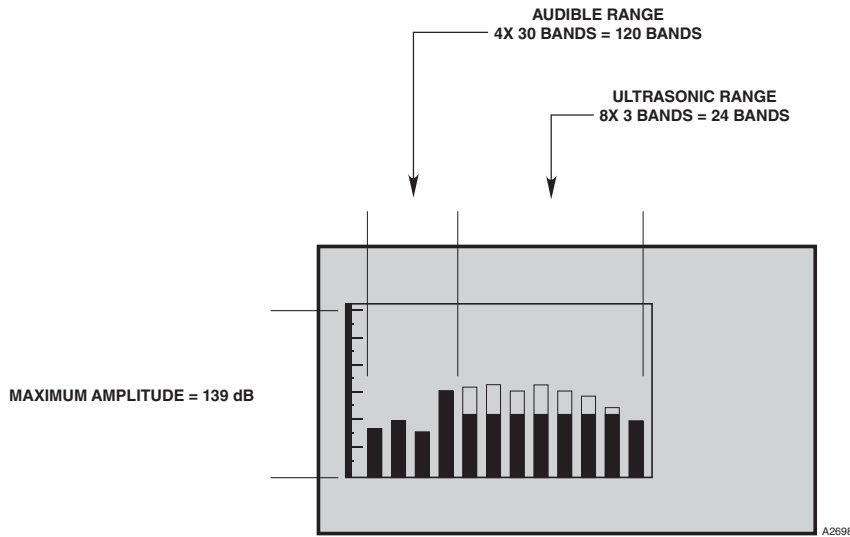


Figure 6-2—UD10 Display Uses 12 Bands to Represent the FlexSonic Acoustic Detector's 144 Bands

MENU STRUCTURE

UD10 with FlexSonic Acoustic Gas Detector

Refer to the following menu when using the UD10's LCD display and internal magnetic switches.

When connecting a HART Communicator to the UD10's 4-20 mA output, refer to the "UD10 HART Handheld" menu in Appendix F.

MENU HELP

*Status menus only allow the user to view the data.
The Setup menus allow the user to both view and edit the data.*

MAIN MENU

- PROCESS VARS →
- DISPLAY STATUS →
- DISPLAY SETUP →
- DISPLAY TEST →
- LANGUAGE →
- DEVICE MENU →

PROCESS VARS

HIGH ALARM	Y/N
LOW ALARM	Y/N
AUX ALARM	Y/N
ANALOG INPUT	X.XX MA
ANALOG OUTPUT	X.XX MA
FAULT	Y/N

DISPLAY STATUS

- GENERAL INFO →
- FAULT/STATUS →
- HISTORY →
- DISPLAY INFO →
- RS485 →
- DEBUG MENU →

DISPLAY SETUP

- ALARM SETTING →
- MODE SELECT →
- HART OPTION →
- RTC →
- RS485 →
- INPUT LOOP CAL →
- CONTRAST CONTRL →
- OUTPUT MODE →
- BACKLIGHT CTRL →
- HEATER CTRL →
- WRITE PROTECT →
- OP FEEDBACK FLT →
- SCROLLING DISPLAY →
- SET SCROLLING RATE XXX%

DISPLAY TEST

- SELF TEST →
- LOOP TEST →
- D/A TRIM →

LANGUAGE

- ENGLISH
- SECOND LANGUAGE

DEVICE MENU

- MODEL XXXXXXXX
- DEVICE STATUS →
- DEVICE SETUP →
- DEVICE CMD →

DEVICE STATUS

ALARM	Y/N
FAULT	Y/N
SD LOGGING	Y/N
SD FILE	XXXX
STATUS INFO MENU	→

DEVICE CMD

- PASSIVE AIC
- MANUAL AIC
- MANUAL AIC ACTIVE
- RESET
- PROCESSOR RESET
- SELF TEST
- LOOP TEST

LOOP TEST

- SET 4-20 MA →
- D/A TRIM
- ZERO TRIM
- GAIN TRIM

ALARM SETUP

MODE	BASIC/PROFILE/ADVANCED
LATCHING	Y/N
BASIC MODE	→
PROFILE MODE	→

SD MENU

SD LOGGING	Y/N
SD FILE	XXXX
ADVISORY MENU	→
DISABLE	
ENABLE	
REMOVE	

SET RTC

SYNC W/DISP	XX
SECONDS	XX
MINUTES	XX
HOURS	XX
DATE	XX
MONTH	XX
YEAR	XX

CALIBRATION MENU

LOOP TEST	METHOD
D/A TRIM	METHOD
PASSIVE AIC	
MANUAL AIC	

WRITE PROTECT

- SET PASSWORD
- SET WRT PROTECT
- WRITE PROTECT Y/N

HART SETUP

FINAL ASSY NUM	XX
TAG	XXXX
LONG TAG	XXXX
DATE	DD/MM/YYYY
DESCRIPTOR	XXXX
MESSAGE	XXXX

STATUS INFO MENU

WARM UP	Y/N
PRE-ALARM	Y/N
ALARM	Y/N
AIC ALARM	Y/N
AIC FAULT	Y/N
SD ADVISORY	Y/N
SNSR HDWR FAULT	Y/N
TX HDWR FAULT	Y/N
VOLTAGE FAULT	Y/N
MAG SW FAULT	Y/N
MEMORY FAULT	Y/N
HARDWARE MENU	→
AIC MENU	→
HISTORY MENU	→
UNIT IDENTITY	→
REAL TIME CLOCK	→
WRITE PROTECT	Y/N

SET 4-20 MA

3.5 MA	
4 MA	
6 MA	
8 MA	
10 MA	
12 MA	
14 MA	
16 MA	
18 MA	
20 MA	

BASIC MODE

LEVEL (DB)	XXX
DELAY (SEC)	XX
RECOVER (SEC)	XX
AUTO LEVEL	→

PROFILE MODE

ALARM MODE	LEVEL / LEARN
LEVEL (DB)	XXX
SENSITIVITY (DB)	XX
BAND COUNT	XX
DELAY (SEC)	XX
RECOVER (SEC)	XX
LEARN MENU	→
PREALARM ON	Y/N
PREALARM LVL	XX

LEARN MENU

LEARN ENABLED?	Y/N
START LEARN	
STOP LEARN	
RECORDED	→
CLR RECORDED	
ALARM PROFILE	XXXXX
SAVED PROFILE	→

SAVED PROFILE

NAME	PROFILE NAME
DATE	DD/MM/YYYY
TIME	HH:MM:SS

SELECT SAVE

ADVISORY MENU

SD CARD INOPERABLE	Y/N
SD DISK FULL	Y/N
SD TYPE VALID	Y/N
CFG VALID	Y/N
CFG MATCH	Y/N
UPLOAD CFG	
DOWNLOAD CFG	

AIC MENU

AIC READING	XXX
FACTORY READING	XXX
CONS AIC FAILS	XX
AIC INTERVAL	XX
NUM AIC FAILS	XX
AIC ACTIVE	Y/N
AIC ALARM	Y/N
AIC FAULT	Y/N

HISTORY MENU

- EVENT LOG

UNIT IDENTITY

MANUFACTURER	→
MODEL	XXXX
SERIAL NUMBER	XXXX
PART NUMBER	XXXX
MFG DATE	DD/MM/YY
SNSR FMWR VER	XXXX
ATX10 FMWR VER	XXXX
HART UNIV REV	XXXX
HART DEV REV	XXXX
HART TAG	XXXX
LONG TAG	XXXX

REAL TIME CLOCK

SECONDS	XX
MINUTES	XX
HOURS	XX
DATE	XX
MONTH	XX
YEAR	XX

AUTO LEVEL

ENABLED?	Y/N
ENABLE	

RECORDED

(DISPLAY LEARN DATA)

PROFILE NAME

SELECT SAVE

HARDWARE MENU

AC100 TEMP	XXX.X
AC100 VOLTAGE X.	XX
AC100 DC LEVEL	X.XXX
ATX10 TEMPERATURE	XX.XX
ATX10 INPUT VOLTAGE	XX.X

HISTORY MENU

- EVENT LOG

WRITE PROTECT

- CHANGE STATE
- CHANGE PASSWORD
- WRITE PROTECT XXXX

OP FEEDBACK FLT

- OFF
- ON

ALARM SETTING

RST LATCH ALARMS	Y/N
HGH ALARM LATCH	→
LOW/PRE ALM LCH	Y/N
LOW/PRE NE/NDE	→

MODE SELECT

- HART DEVICE
- PIR9400
- PIRDUCT
- C706X
- 505
- NTMOS
- CGS
- GENERIC DEVICE

HART OPTION

TAG	XXXXX
LONG TAG	XXXXX
DESCRIPTOR	XXXXX
DATE	XXXXX
MESSAGE	XXXXX
FINAL ASSY NUM	XXXXX

RTC

DISPLAYED	Y/N
SECONDS	XX
MINUTES	XX
HOURS	XX
DAY	XX
MONTH	XX
YEAR	XX

RS485

- BAUD RATE →
- PARITY →
- POLL ADDRESS XXXX

OUTPUT MODE

- STANDARD
- REPLICATE

BACKLIGHT CTRL

- OFF
- ON
- AUTOMATIC

HEATER CTRL

- AUTOMATIC
- OFF

WRITE PROTECT

- CHANGE STATE
- CHANGE PASSWORD
- WRITE PROTECT XXXX

OP FEEDBACK FLT

- OFF
- ON

SCROLLING DISPLAY

- DISABLED
- ENABLED

HGH ALARM NE/NDE

- NE-NORMALY ENERGIZED
- NDE-NORMALY DEENERGIZED

LOW/PRE NE/NDE

- NE-NORMALY ENERGIZED
- NDE-NORMALY DEENERGIZED

BAUD RATE

- 1200
- 2400
- 4800
- 9600
- 19.2K

PARITY

- NONE
- EVEN
- ODD

GENERAL INFO

MANUFACTURER	→
MODEL	UD-10
TAG	XXXXX
LONG TAG	XXXXXX
DESCRIPTOR	XXXXX
DATE	DD/MMM/YYYY
MESSAGE	XXXXX
FINAL ASSY NUM	XXXXX
DEVICE ID	XXXXX

FAULT/STATUS

OP MODE	XXXXX
FAULT	Y/N
STATUS	Y/N
ATX FAULT	Y/N
ATX STATUS	Y/N

STATUS

ANY FAULT	ON/OFF
CAL ACTIVE	ON/OFF
WARM UP	ON/OFF
LOW RELAY ACTIVE	ON/OFF
AUX RELAY ACTIVE	ON/OFF
CURRENT FIXED	ON/OFF
MB WRITE PROTECT	ON/OFF
HART SELF TEST	ON/OFF
LON ATTACHED	ON/OFF
RESPONSE TEST	ON/OFF
MANUAL SELF TEST	ON/OFF
INPUT HART	ON/OFF

ATX FAULT

POWER FLT	ON/OFF
OVER CRNT FLT	ON/OFF

ATX STATUS

PRE ALARM	ON/OFF
HIGH ALARM	ON/OFF

DISPLAY INFO

RTC	→
SERIAL NUMBER	XXXXX
I/O BOARD ID	XXX
MFG DATE	DD/MM/YYYY
F/W REV	XXXXX
UNIVERSAL REV	XXXXX
FIELD DEV REV	XXXX
RUNNING HOURS	XXXXX
TEMPERATURE	XX.XX C
HEATER CTRL	AUTO/ON/OFF
BACKLIGHT CTRL	AUTO/ON/OFF
INPUT VOLTAGE	XX.XX

RS485

BAUD RATE	XXXXX
PARITY	XXXXX
POLL ADDRESS	XXXXX

DEBUG MENU

HART ERRORS	XXXXX
MODBUS ERRORS	XXXXX
ERROR DETAILS	→
OUTPUT READBACK	XX.XX MA
ANALOG INPUT	XX.XX MA
MAXIMUM CYCLE TIME	XXXXX
AVERAGE CYCLE TIME	XXXXX

ERROR DETAILS

- HART MASTER →
- HART SLAVE →
- MODBUS →

Detector Electronics

ATX10	23-Sep-15	6.39
-------	-----------	------

DETTRONICS

6901 WEST 110TH STREET
MINNEAPOLIS, MN 55438
USA

FAULT

LOW CAL LINE	ON/OFF
EE FAULT	ON/OFF
ADC FAULT	ON/OFF
24V FAULT	ON/OFF
FLASH FAULT	ON/OFF
RAM FAULT	ON/OFF
WDT FAULT	ON/OFF
12V FAULT	ON/OFF
5V FAULT	ON/OFF
1.25V FAULT	ON/OFF
O/P LOOP FAULT	ON/OFF
INPUT LOOP FAULT	ON/OFF
0V FAULT	ON/OFF
ADC REF FAULT	ON/OFF

STATUS

ANY FAULT	ON/OFF
CAL ACTIVE	ON/OFF
WARM UP	ON/OFF
LOW RELAY ACTIVE	ON/OFF
AUX RELAY ACTIVE	ON/OFF
CURRENT FIXED	ON/OFF
MB WRITE PROTECT	ON/OFF
HART SELF TEST	ON/OFF
LON ATTACHED	ON/OFF
RESPONSE TEST	ON/OFF
MANUAL SELF TEST	ON/OFF
INPUT HART	ON/OFF

ATX FAULT

POWER FLT	ON/OFF
OVER CRNT FLT	ON/OFF

ATX STATUS

PRE ALARM	ON/OFF
HIGH ALARM	ON/OFF

DISPLAY HISTORY

RUNNING HOURS	XXXX
MAX TEMP	XX.XX C
MAX TEMP TIME	XX:XX:XX
MIN TEMP	XX.XX C
MIN TEMP TIME	XX:XX:XX
RESET MAX MIN	
MAX RESET TEMP	XX.XX C
MAX RESET TIME	XX:XX:XX
MIN RESET TEMP	XX.XX C
MIN RESET TIME	XX:XX:XX

EVENT LOG

EVENT	XXXXX
DATE	DD/MMM/YYYY
TIME	HH:MM:SS

RTC

DISPLAYED	Y/N
SECONDS	XX
MINUTES	XX
HOURS	XX
DAY	XX
MONTH	XX
YEAR	XX

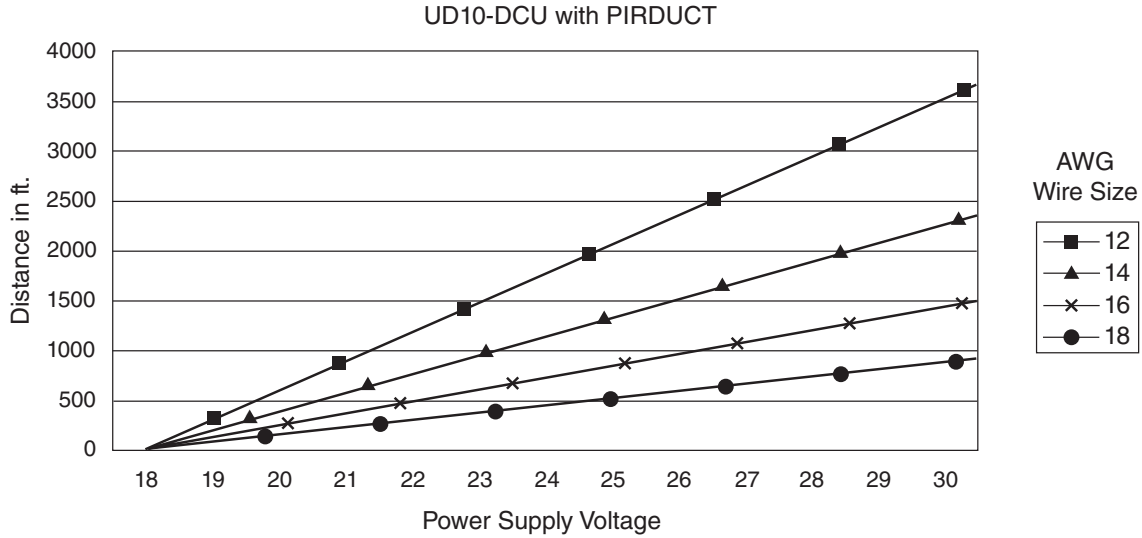
APPENDIX Q

UD10 with MODEL PIRDUCT

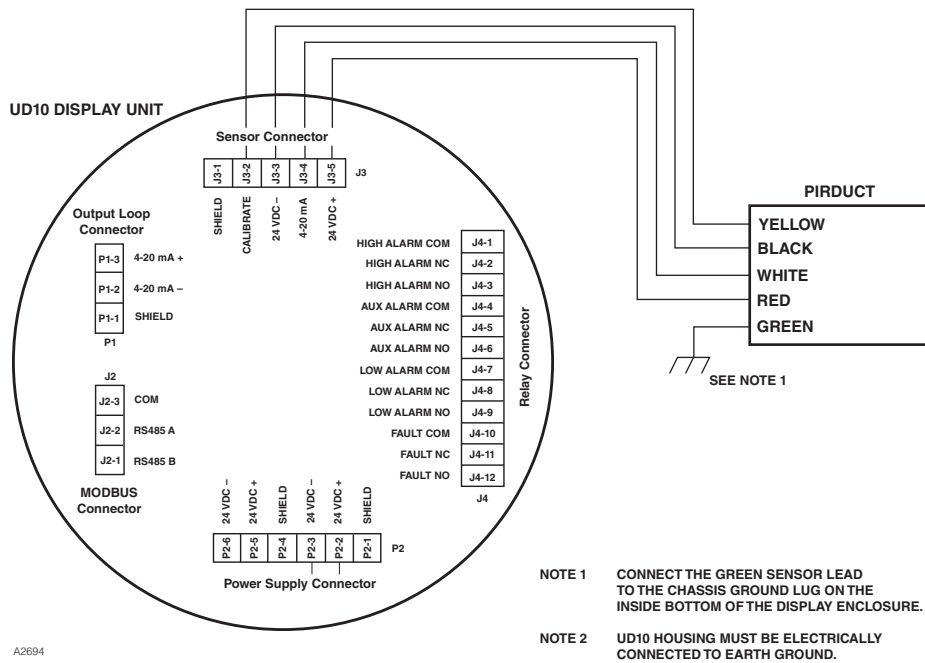
NOTE

For complete information regarding the PIRDUCT Gas Detector, refer to instruction manual 95-8573.

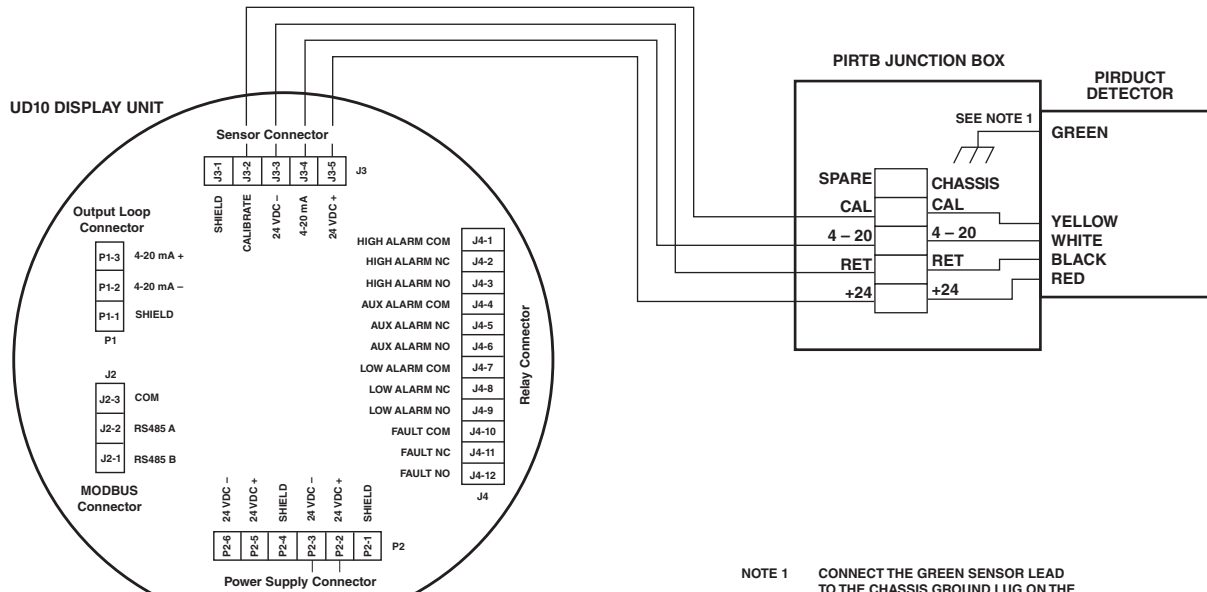
WIRING



Notes: Maximum recommended cable length from power source to UD10-DCU is 2000 feet.
 Maximum recommended cable length from UD10-DCU to PIR9400/PIRTB termination box is 2000 feet.



PIRDUCT Wired Directly to UD10



A2699

- NOTE 1 CONNECT THE GREEN SENSOR LEAD TO THE CHASSIS GROUND LUG ON THE INSIDE BOTTOM OF THE PIRTB.
- NOTE 2 HOUSINGS MUST BE ELECTRICALLY CONNECTED TO EARTH GROUND.

UD10 Wired to PIRDUCT with PIRTB Termination Box

INSTALLATION NOTES

IMPORTANT

Hydrocarbon-based grease emits hydrocarbon vapors that will be measured by PIRDUCT, resulting in inaccurate gas level readings. **Use only low vapor pressure Lubriplate grease or Teflon tape on the PIRDUCT detector and associated termination box.** Do not get grease on the optics of the detector. A suitable grease is listed in the "Ordering Information" section in this manual.

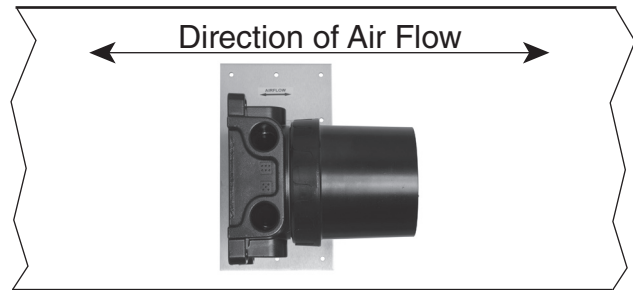
IMPORTANT

In applications where both PIRDUCT and catalytic type sensors are used, ensure that the grease used to lubricate the PIRDUCT detector threads does not come into contact with the catalytic sensors, since poisoning of the catalytic sensors could result. It is strongly recommended that maintenance personnel wash their hands between handling the two types of sensors.

ORIENTATION

The PIRDUCT Detector is a position sensitive instrument. It must be installed in the proper orientation to achieve proper vapor detection. Ensure that the installation location selected will accommodate the instrument in the proper mounting orientation.

CORRECT



IMPORTANT: MOUNTING PLATE **MUST** BE ORIENTED AS SHOWN. ONCE THE MOUNTING PLATE IS SECURED TO THE DUCT WALL, THE TERMINATION BOX CAN BE ROTATED TO ANY CONVENIENT POSITION.

INCORRECT



Orientation of PIRDUCT Mounting Plate Relative to Direction of Airflow through Duct

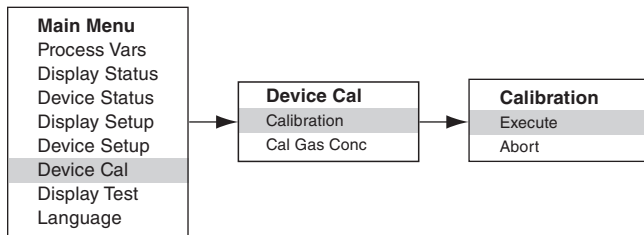
CHANGING OPERATING MODES

When used with a PIRDUCT, the operating mode of the UD10 must be changed from “HART Device” to “PIRDUCT” mode. Refer to the “Startup” section of this manual for details.

CALIBRATION

To initiate calibration of the PIRDUCT from the UD10 Display:

- Using the magnet to activate the switches on the UD10 display, navigate to the “Calibration” menu.



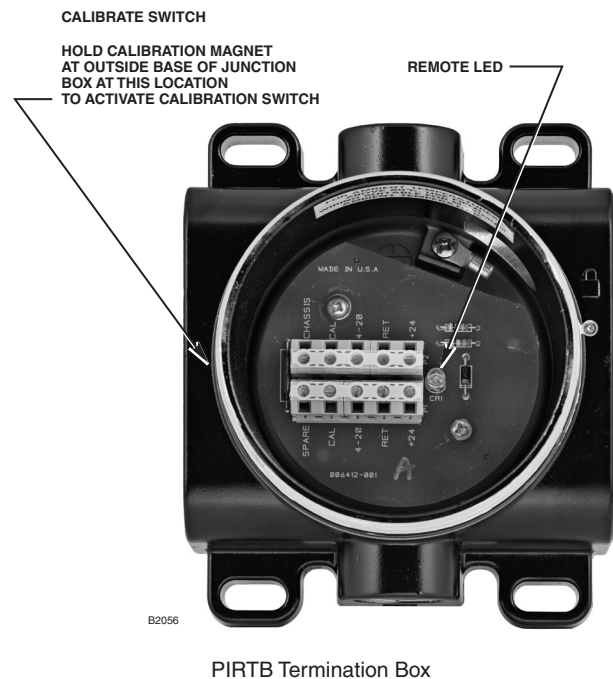
- Activate “Execute” (Enter/Select) to start calibration.
- The UD10 will display “Waiting for Zero” on the main display screen.
- The UD10 will then display “Waiting for Gas” on the screen.
- Apply calibration gas to the PIRDUCT.
- The UD10 will continue to display “Waiting for Gas” on the screen.
- When the UD10 displays “Remove Cal Gas” on the screen, remove the calibration gas from the PIRDUCT.
- The UD10 automatically returns to the normal mode after successful calibration.

To initiate calibration from the PIRTB Termination Box while monitoring calibration using the UD10 display:

- Using the magnet, activate the magnetic calibration switch on the PIRTB Termination Box. The LED at the PIRTB turns from off to steady red.
- The UD10 will display “Waiting for Zero” on the main display screen, with a steady red LED at the PIRTB.

UD10 mA Output During Calibration (UD10 with PIR9400)		
UD10 Display Reading	Standard Mode	Replicate Mode
Waiting for Zero	3.8	2.2
Waiting for Gas	3.8	3.8
Waiting for Span	3.8	3.8
Remove Cal Gas	3.8	3.8
Back to Normal	4.0	4.0

- The UD10 will then display “Waiting for Gas” on the screen, while the LED at the PIRTB is flashing red.
- Apply calibration gas to the detector.
- The UD10 will display “Waiting for Span” on the screen, with a red flashing LED at the PIRTB.
- When the UD10 displays “Remove Cal Gas” on the screen and the LED at the PIRTB turns off, remove the calibration gas.
- After successful calibration, the UD10 automatically returns to the normal mode, and the LED on the PIRTB remains off.



MENU STRUCTURE

UD10 with PIRDUCT Gas Detector

Refer to the following menu when using the UD10's LCD display and internal magnetic switches.

When connecting a HART Communicator to the UD10's 4-20 mA output, refer to the "UD10 HART Handheld" menu in Appendix F.

MENU HELP

Status menus only allow the user to view the data.

The Setup menus allow the user to both view and edit the data.

MAIN MENU

- PROCESS VARS →
- DISPLAY STATUS →
- DEVICE STATUS →
- DISPLAY SETUP →
- DEVICE CAL →
- DISPLAY TEST →
- LANGUAGE →

PROCESS VARS

GAS NAME	XXXX
GAS VALUE	X.XX
HIGH ALARM	Y/N
LOW ALARM	Y/N
AUX ALARM	Y/N
ANALOG INPUT	X.XX MA
ANALOG OUTPUT	X.XX MA
URV	X.XX
LRV	X.XX
FAULT	Y/N

DISPLAY STATUS

- GENERAL INFO →
- FAULT/STATUS →
- HISTORY →
- DISPLAY INFO →
- RS485 →
- DEBUG MENU →

DEVICE STATUS

- DEVICE INFO →
- FAULT/STATUS →
- CALIBRATION LOG →

DISPLAY SETUP

- ALARM SETTING →
- MODE SELECT →
- HART OPTION →
- RTC →
- RS485 →
- INPUT LOOP CAL →
- CONTRAST CONTRL →
- OUTPUT MODE →
- BACKLIGHT CTRL →
- HEATER CTRL →
- WRITE PROTECT →
- OP FEEDBACK FLT →
- SCROLLING DISPLAY →
- SET SCROLLING RATE XXX%

DEVICE SETUP

- DEVICE OPTION →

DEVICE CAL

- CALIBRATION →
- CAL GAS CONC XX.XX

DISPLAY TEST

- SELF TEST →
- RESPONSE TEST →
- LOOP TEST →
- D/A TRIM →

LANGUAGE

- ENGLISH
- SECOND LANGUAGE

DEVICE INFO

- MANUFACTURER → PIRDUCT
- MODEL XXXXX
- UNIT OF MEASURE XX.XX
- URV XX.XX
- LRV XX.XX

FAULTS/STATUS

- FAULTS Y/N

CALIBRATION LOG

CAL ID	XXXX
DATE	DD/MMM/YYYY
TIME	HH:MM:SS
ZERO	XXXX
SPAN	XXXX

DEVICE OPTION

- GAS TYPE →
- GAS NAME XXXXX
- UNIT OF MEASURE %LFL
- URV XX.XX
- LRV XX.XX

CALIBRATION

- EXECUTE
- ABORT

LOOP TEST

- SET 4-20 MA →

D/A TRIM

- ZERO TRIM
- GAIN TRIM

DET-TRONICS

6901 WEST 110TH STREET
MINNEAPOLIS, MN 55438
USA

FAULTS

WARM UP	ON/OFF
REF. CHANNEL FLT	ON/OFF
ACT CHANNEL FLT	ON/OFF
STARTUP CAL FLT	ON/OFF
24 V FAULT	ON/OFF
BLOCK OPTICS	ON/OFF
CAL FAULT	ON/OFF
LOW FAULT	ON/OFF
HIGH FAULT	ON/OFF

SET 4-20 MA

3.5MA
4 MA
6 MA
8 MA
10 MA
12 MA
14 MA
16 MA
18 MA
20 MA

ALARM SETTING

RST LATCH ALARMS	
HGH ALARM LEVEL	XX.XX
HGH ALARM LATCH	Y/N
HGH ALARM NE/ND	→
LOW ALARM LEVEL	XX.XX
LOW ALARM LATCH	Y/N
LOW ALARM NE/ND	→
AUX ALARM LEVEL	XX.XX
AUX ALARM LATCH	Y/N
AUX ALARM NE/ND	→

HGH ALARM NE/NDE

- NE-NORMALY ENERGIZED
- NDE-NORMALY DEENERGIZED

LOW ALARM NE/NDE

- NE-NORMALY ENERGIZED
- NDE-NORMALY DEENERGIZED

AUX ALARM NE/NDE

- NE-NORMALY ENERGIZED
- NDE-NORMALY DEENERGIZED

MODE SELECT

- HART DEVICE
- PIR9400
- PIRDUCT
- C706X
- 505
- NTMOS
- CGS
- GENERIC DEVICE

HART OPTION

TAG	XXXXX
LONG TAG	XXXXX
DESCRIPTOR	XXXXX
DATE	DD/MMM/YYYY
MESSAGE	XXXXX
FINAL ASSY NUM	XXXXX

RTC

DISPLAYED	Y/N
SECONDS	XX
MINUTES	XX
HOURS	XX
DAY	XX
MONTH	XX
YEAR	XX

RS485

- BAUD RATE →
- PARITY →
- POLL ADDRESS XXXX

BAUD RATE

- 1200
- 2400
- 4800
- 9600
- 19.2K

PARITY

- NONE
- EVEN
- ODD

OUTPUT MODE

- STANDARD
- REPLICATE

BACKLIGHT CTRL

- OFF
- ON
- AUTOMATIC

HEATER CTRL

- AUTOMATIC
- OFF

WRITE PROTECT

- CHANGE STATE
- CHANGE PASSWORD
- WRITE PROTECT XXXX

OP FEEDBACK FLT

- OFF
- ON

SCROLLING DISPLAY

- DISABLED
- ENABLED

GENERAL INFO

MANUFACTURER	→ UD-10
MODEL TAG	XXXXX
LONG TAG	XXXXXX
DESCRIPTOR	XXXXX
DATE	DD/MMM/YYYY
MESSAGE	XXXXX
FINAL ASSY NUM	XXXXX
DEVICE ID	XXXXX

DET-TRONICS

6901 WEST 110TH STREET
MINNEAPOLIS, MN 55438
USA

FAULT/STATUS

OP MODE	XXXXX
FAULT	Y/N
STATUS	Y/N

FAULT

LOW CAL LINE	ON/OFF
EE FAULT	ON/OFF
ADC FAULT	ON/OFF
24V FAULT	ON/OFF
FLASH FAULT	ON/OFF
RAM FAULT	ON/OFF
WDT FAULT	ON/OFF
12V FAULT	ON/OFF
5V FAULT	ON/OFF
1.25V FAULT	ON/OFF
O/P LOOP FAULT	ON/OFF
INPUT LOOP FAULT	ON/OFF
0V FAULT	ON/OFF
ADC REF FAULT	ON/OFF

STATUS

ANY FAULT	ON/OFF
CAL ACTIVE	ON/OFF
WARM UP	ON/OFF
LOW RELAY ACTIVE	ON/OFF
HI RELAY ACTIVE	ON/OFF
AUX RELAY ACTIVE	ON/OFF
CURRENT FIXED	ON/OFF
MB WRITE PROTECT	ON/OFF
HART SELF TEST	ON/OFF
LON ATTACHED	ON/OFF
RESPONSE TEST	ON/OFF
MANUAL SELF TEST	ON/OFF
INPUT HART	ON/OFF

HISTORY

- DISPLAY HISTORY →
- EVENT LOG →

DISPLAY HISTORY

RUNNING HOURS	XXXX
MAX TEMP	XX.XX C
MAX TEMP TIME	XX:XX:XX
MIN TEMP	XX.XX C
MIN TEMP TIME	XX:XX:XX
RESET MAX MIN	
MAX RESET TEMP	XX.XX C
MAX RESET TIME	XX:XX:XX
MIN RESET TEMP	XX.XX C
MIN RESET TIME	XX:XX:XX

DISPLAY INFO

RTC	→
SERIAL NUMBER	XXXXX
I/O BOARD ID	XXX
MFG DATE	DD/MM/YYYY
F/W REV	XXXXX
UNIVERSAL REV	XXXXX
FIELD DEV REV	XXXXX
RUNNING HOURS	XXXXX
TEMPERATURE	XX.XX C
HEATER CTRL	AUTO/ON/OFF
BACKLIGHT CTRL	AUTO/ON/OFF
INPUT VOLTAGE	XX.XX

EVENT LOG

EVENT	XXXXX
DATE	DD/MMM/YYYY
TIME	HH:MM:SS

RS485

BAUD RATE	XXXXX
PARITY	XXXXX
POLL ADDRESS	XXXXX

RTC

DISPLAYED	Y/N
SECONDS	XX
MINUTES	XX
HOURS	XX
DAY	XX
MONTH	XX
YEAR	XX

DEBUG MENU

HART ERRORS	XXXXX
MODBUS ERRORS	XXXXX
ERROR DETAILS	→
OUTPUT READBACK	XX.XX MA
ANALOG INPUT	XX.XX MA
MAXIMUM CYCLE TIME	XXXXX
AVERAGE CYCLE TIME	XXXXX

ERROR DETAILS

- HART MASTER →
- HART SLAVE →
- MODBUS →

Detector Electronics

PIRDUCT	23-Sep-15	6.39
---------	-----------	------

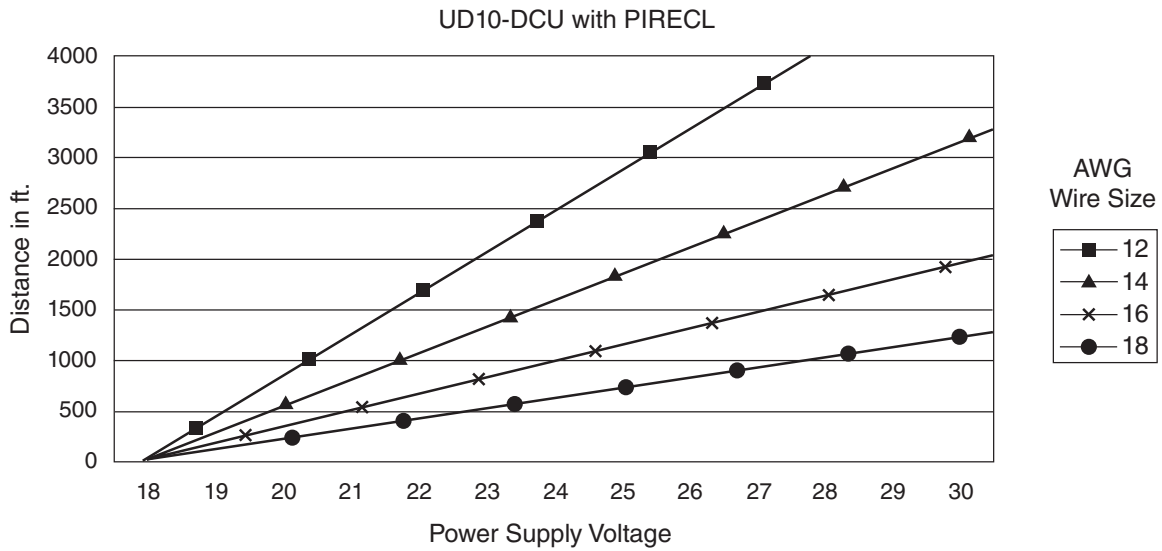
APPENDIX R

UD10 with MODEL PIRECL CARBON DIOXIDE DETECTOR

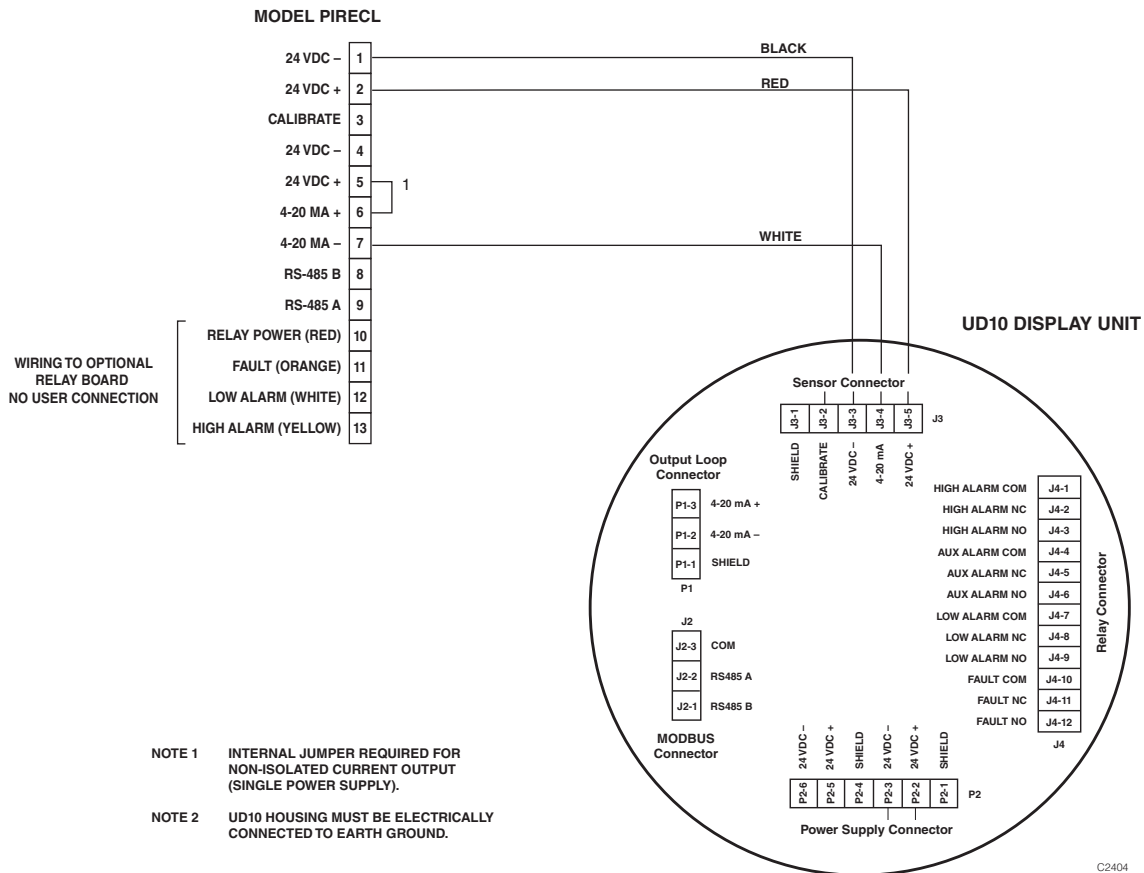
NOTE

For complete information regarding the PIRECL CO₂ Gas Detector, refer to instruction manual 95-8676.

WIRING



Notes: Maximum recommended cable length from power source to UD10-DCU is 2000 feet.
Maximum recommended cable length from UD10-DCU to detector/STB termination box is 2000 feet.



C2404

Model PIRECL CO₂ Wired Directly to UD10

ORIENTATION

It is highly recommended that the PIRECL CO₂ be installed in the horizontal position. The detector is not position-sensitive in terms of its ability to detect gas. However, the weather baffle assembly provides superior performance when the PIRECL CO₂ is installed with the baffle in a horizontal position.



CORRECT

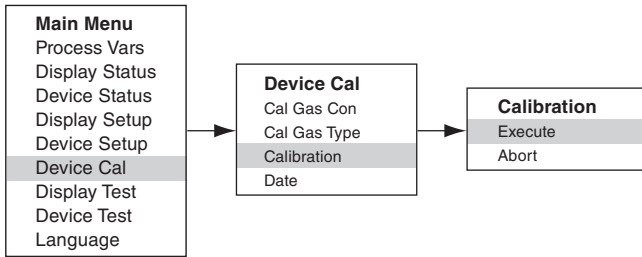


INCORRECT

CALIBRATION

To initiate calibration of the PIRECL CO₂ from the UD10 Display:

- Using the magnet to activate the switches on the UD10 display, navigate to the “Calibration” menu.

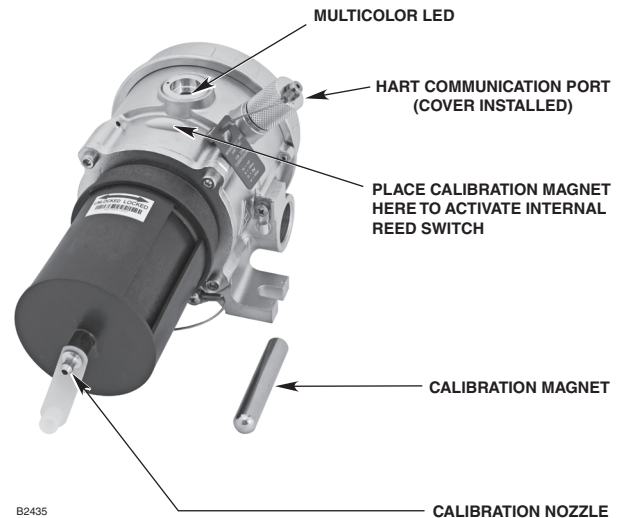


- Activate “Execute” (Enter/Select) to start calibration.
- The UD10 will display “Waiting for Zero” on the main display screen, with a solid red LED on the PIRECL CO₂ housing illuminated.
- The UD10 will then display “Waiting for Gas” on the screen, while the LED on the PIRECL CO₂ is flashing red.
- Apply calibration gas to the PIRECL CO₂.
- The UD10 will display “Waiting for Span” on the screen, while a red flashing LED on the PIRECL CO₂ housing is illuminated.
- When the UD10 displays “Remove Cal Gas” on the screen and the LED on the PIRECL CO₂ housing is off, remove the calibration gas.
- After successful calibration, the UD10 automatically returns to the normal display with the green LED illuminated on the PIRECL CO₂ housing.

To initiate calibration from the PIRECL CO₂ while monitoring calibration using the UD10 display:

- Using the magnet, activate the magnetic calibration switch on the PIRECL CO₂ detector. See Figure below. The LED turns from green to red.
- The UD10 will display “Waiting for Zero” on the main display screen, with a solid red LED on the PIRECL CO₂ housing illuminated.
- The UD10 will then display “Waiting for Gas” on the screen, while the LED on the PIRECL CO₂ is flashing red.
- Apply calibration gas to the PIRECL CO₂ detector.
- The UD10 will display “Waiting for Span” on the screen, while a red flashing LED on the PIRECL CO₂ housing is illuminated.
- When the UD10 displays “Remove Cal Gas” on the screen and the LED on the PIRECL CO₂ housing is off, remove the calibration gas.
- After successful calibration, the UD10 automatically returns to the normal mode with the green LED illuminated on the PIRECL CO₂.

UD10 mA Output During Calibration (UD10 with PIRECL CO ₂)		
UD10 Display Reading	Standard Mode	Replicate Mode
Waiting for Zero	3.8	2.2
Waiting for Gas	3.8	2.0
Waiting for Span	3.8	2.0
Remove Cal Gas	3.8	1.8
Back to Normal	4.0	4.0



Model PIRECL CO₂ Gas Detector

MENU STRUCTURE

UD10 with Model PIRECL CO₂ Gas Detector

Refer to the following menu when using the UD10's LCD display and internal magnetic switches.

When connecting a HART Communicator to the UD10's 4-20 mA output, refer to the "UD10 HART Handheld" menu in Appendix F.

MENU HELP

Status menus only allow the user to view the data.

The Setup menus allow the user to both view and edit the data.

MAIN MENU

- PROCESS VARS →
- DISPLAY STATUS →
- DEVICE STATUS →
- DISPLAY SETUP →
- DEVICE SETUP →
- DEVICE CAL →
- DISPLAY TEST →
- DEVICE TEST →
- LANGUAGE →

PROCESS VARS

GAS NAME	XXXXXX
GAS VALUE	X.XX
HIGH ALARM	Y/N
LOW ALARM	Y/N
AUX ALARM	Y/N
ANALOG INPUT	X.XX MA
ANALOG OUTPUT	X.XX MA
URV	X.XX
LRV	X.XX
FAULT	Y/N

DISPLAY STATUS

- GENERAL INFO →
- FAULT/STATUS →
- HISTORY →
- DISPLAY INFO →
- RS485 →
- DEBUG MENU →

DEVICE STATUS

- GENERAL INFO →
- FAULT/STATUS →
- DEVICE INFO →
- SENSOR INFO →
- HISTORY →

DISPLAY SETUP

- ALARM SETTING →
- MODE SELECT →
- HART OPTION →
- RTC →
- RS485 →
- INPUT LOOP CAL →
- CONTRAST CONTRL →
- OUTPUT MODE →
- BACKLIGHT CTRL →
- HEATER CTRL →
- WRITE PROTECT →
- OP FEEDBACK FLT →
- SCROLLING DISPLAY →
- SET SCROLLING RATE XXX%

DEVICE SETUP

- DEVICE OPTION →
- ALARM SETTING →
- HART OPTION →
- RS485 →
- WRITE PROTECT →

DEVICE CAL

CAL GAS CONC	XX.XX
CAL GAS TYPE	→
CALIBRATION	→
CAL DATE	DD/MM/YYYY

DISPLAY TEST

- SELF TEST →
- RESPONSE TEST →
- LOOP TEST →
- D/A TRIM →

DEVICE TEST

- SELF TEST →
- RESPONSE TEST →
- LOOP TEST →
- D/A TRIM →

LANGUAGE

- ENGLISH
- SECOND LANGUAGE

ALARM SETTING

RST LATCH ALARMS	XX.XX
HGH ALARM LEVEL	XX.XX
HGH ALARM LATCH	Y/N
HGH ALARM NE/ND	→
LOW ALARM LEVEL	XX.XX
LOW ALARM LATCH	Y/N
LOW ALARM NE/ND	→
AUX ALARM LEVEL	XX.XX
AUX ALARM LATCH	Y/N
AUX ALARM NE/ND	→

DEVICE OPTION

- GAS TYPE →
- UNIT OF MEASURE →
- URV XX.XX
- LRV XX.XX
- USL XX.XX
- LSL XX.XX
- ANALOG CODE VAL →
- ANALOG FLT CODE →

GAS TYPE

- CO2_0-2K_PPM
- CO2_0-5K_PPM
- CO2_0-10K_PPM
- CO2_0-1_VOL%
- CO2_0-2_VOL%
- CO2_0-5_VOL%
- CO2_0-10_VOL%

ALARM SETTING

RST LATCH ALARMS	XX.XX
HGH ALARM LEVEL	XX.XX
HGH ALARM LATCH	Y/N
LOW ALARM LEVEL	XX.XX
LOW ALARM LATCH	Y/N

UNIT OF MEASURE

- PPM
- VOL%

HART OPTION

TAG	XXXXX
LONG TAG	XXXXXX
DESCRIPTOR	XXXXX
DATE	DD/MM/YYYY
MESSAGE	XXXXX
FINAL ASSY NUM	XXXXX

ANALOG CODE VAL

- WARM UP XX.XX
- BLOCKED OPTIC XX.XX
- CALIBRATION XX.XX
- FAULT XX.XX

RS485

- BAUD RATE →
- PARITY →
- POLL ADDRESS XXX

ANALOG FAULT CODE

- ECLIPSE
- PIR9400
- USER DEFINED

WRITE PROTECT

- CHANGE STATE
- CHANGE PASSWORD
- WRITE PROTECT XXXX

BAUD RATE

- 1200
- 2400
- 4800
- 9600
- 19.2K

CAL GAS TYPE

- SAME AS MEASURE GAS

PARITY

- NONE
- EVEN
- ODD

CALIBRATION

- EXECUTE
- ABORT

LOOP TEST

- 3.5MA
- 4-MA
- 6 MA
- 8 MA
- 10 MA
- 12 MA
- 14-MA
- 16-MA
- 18-MA
- 20 MA

LOOP TEST

- SET 4-20 MA →

D/A TRIM

- ZERO TRIM
- GAIN TRIM

LOOP TEST

- SET 4-20 MA →

D/A TRIM

- ZERO TRIM
- GAIN TRIM

SET 4-20 MA

- 3.5 MA
- 4 MA
- 6 MA
- 8 MA
- 10 MA
- 12 MA
- 14 MA
- 16 MA
- 18 MA
- 20 MA

HGH ALARM NE/NDE

- NE-NORMALY ENERGIZED
- NDE-NORMALY DEENERGIZED

LOW ALARM NE/NDE

- NE-NORMALY ENERGIZED
- NDE-NORMALY DEENERGIZED

AUX ALARM NE/NDE

- NE-NORMALY ENERGIZED
- NDE-NORMALY DEENERGIZED

MODE SELECT

- HART DEVICE
- PIR9400
- PIRDUCT
- C706X
- 505
- NTMOS
- CGS
- GENERIC DEVICE

HART OPTION

TAG	XXXXX
LONG TAG	XXXXX
DESCRIPTOR	XXXXX
DATE	DD/MM/YYYY
MESSAGE	XXXXX
FINAL ASSY NUM	XXXXX

RTC

DISPLAYED	Y/N
SECONDS	XXXXX
MINUTES	XXXXX
HOURS	XXXXX
DAY	XXXXX
MONTH	XXXXX
YEAR	XXXXX

RS485

- BAUD RATE →
- PARITY →
- POLL ADDRESS XXXX

OUTPUT MODE

- STANDARD
- REPLICATE

BACKLIGHT CTRL

- OFF
- ON
- AUTOMATIC

HEATER CTRL

- AUTOMATIC
- OFF

WRITE PROTECT

- CHANGE STATE
- CHANGE PASSWORD
- WRITE PROTECT XXXX

OP FEEDBACK FLT

- OFF
- ON

SCROLLING DISPLAY

- DISABLED
- ENABLED

GENERAL INFO

MANUFACTURER	→
MODEL	UD-10
TAG	XXXXXX
LONG TAG	XXXXXX
DESCRIPTOR	XXXXXX
DATE	DD/MM/YYYY
MESSAGE	XXXXXX
FINAL ASSY NUM	XXXXXX
DEVICE ID	XXXXXX

DET-TRONICS

6901 WEST 110TH STREET
MINNEAPOLIS, MN 55438
USA

FAULT/STATUS

OP MODE	XXXXX
CAL STATE	XXXXX
FAULT	Y/N
STATUS	Y/N

DEVICE INFO

SERIAL NUMBER	XXXXX
UNIVERSAL REV	XXXXXX
FIELD DEV REV	XXXXXX
S/W REV	XXXXXX

SENSOR INFO

ACTIVE	XX.XX
REFERENCE	XX.XX
RATIO	XX.XX
ABSORPTION	XX.XX
TEMPERATURE	XX.XXC
VOL %	XX.XX
USL	XX.XX
LSL	XX.XX
SPAN FACTOR	XX.XX

HISTORY

- DEVICE HISTORY →
- CALIBRATION LOG →
- EVENT LOG →

BAUD RATE

- 1200
- 2400
- 4800
- 9600
- 19.2K

PARITY

- NONE
- EVEN
- ODD

FAULT

CAL FAULT	ON/OFF
DIRTY OPTICS	ON/OFF
LAMP FAULT	ON/OFF
START CAL FAULT	ON/OFF
EE 1 FAULT	ON/OFF
EE 2 FAULT	ON/OFF
REF ADC SAT	ON/OFF
ACTIVE ADC SAT	ON/OFF
24V FAULT	ON/OFF
12V FAULT	ON/OFF
5V FAULT	ON/OFF
ZERO DRIFT FAULT	ON/OFF
FLASH CRC FAULT	ON/OFF
RAM FAULT	ON/OFF

STATUS

CAL ACTIVE	ON/OFF
WARM UP	ON/OFF
LOW ALARM	ON/OFF
HIGH ALARM	ON/OFF
HART SELF TEST	ON/OFF
CHANGE CONFIG	ON/OFF

DEVICE HISTORY

RUNNING HOURS	XXXXX
MAX TEMP	XX.XX C
MAX TEMP TIME	XXXX
MIN TEMP	XX.XX C
MIN TEMP TIME	XXXX
RESET MAX MIN	XX.XX C
MAX RESET TEMP	XXXX
MIN RESET TEMP	XX.XX C
MIN RESET TIME	XXXX

CALIBRATION LOG

CAL ID	XXXXX
HOURS	XXXXX

EVENT LOG

EVENT	XXXXX
HOURS	XXXXX

GENERAL INFO

MANUFACTURER	→
MODEL	UD-10
TAG	XXXXXX
LONG TAG	XXXXXX
DESCRIPTOR	XXXXXX
DATE	DD/MM/YYYY
MESSAGE	XXXXXX
FINAL ASSY NUM	XXXXXX
DEVICE ID	XXXXXX

DET-TRONICS

6901 WEST 110TH STREET
MINNEAPOLIS, MN 55438
USA

FAULT/STATUS

OP MODE	XXXXX
FAULT	Y/N
STATUS	Y/N

FAULT

LOW CAL LINE	ON/OFF
EE FAULT	ON/OFF
ADC FAULT	ON/OFF
24V FAULT	ON/OFF
FLASH FAULT	ON/OFF
RAM FAULT	ON/OFF
WDT FAULT	ON/OFF
12V FAULT	ON/OFF
5V FAULT	ON/OFF
1.25V FAULT	ON/OFF
O/P LOOP FAULT	ON/OFF
INPUT LOOP FAULT	ON/OFF
0V FAULT	ON/OFF
ADC REF FAULT	ON/OFF

STATUS

ANY FAULT	ON/OFF
CAL ACTIVE	ON/OFF
WARM UP	ON/OFF
LOW RELAY ACTIVE	ON/OFF
HI RELAY ACTIVE	ON/OFF
AUX RELAY ACTIVE	ON/OFF
CURRENT FIXED	ON/OFF
MB WRITE PROTECT	ON/OFF
HART SELF TEST	ON/OFF
LON ATTACHED	ON/OFF
RESPONSE TEST	ON/OFF
MANUAL SELF TEST	ON/OFF
INPUT HART	ON/OFF

HISTORY

- DISPLAY HISTORY →
- EVENT LOG →

DISPLAY HISTORY

RUNNING HOURS	XXXX
MAX TEMP	XX.XX C
MAX TEMP TIME	XX:XX:XX
MIN TEMP	XX.XX C
MIN TEMP TIME	XX:XX:XX
RESET MAX MIN	XX.XX C
MAX RESET TEMP	XX:XX:XX
MIN RESET TEMP	XX.XX C
MIN RESET TIME	XX:XX:XX

DISPLAY INFO

RTC	→
SERIAL NUMBER	XXXXX
I/O BOARD ID	XXX
MFG DATE	DD/MM/YYYY
F/W REV	XXXXX
UNIVERSAL REV	XXXXX
FIELD DEV REV	XXXXX
RUNNING HOURS	XXXXX
TEMPERATURE	XX.XX C
HEATER CTRL	AUTO/ON/OFF
BACKLIGHT CTRL	AUTO/ON/OFF
INPUT VOLTAGE	XX.XX

EVENT LOG

EVENT	XXXXX
DATE	DD/MM/YYYY
TIME	HH:MM:SS

RS485

- BAUD RATE XXXX
- PARITY XXXX
- POLL ADDRESS XXXX

RTC

DISPLAYED	Y/N
SECONDS	XXXXX
MINUTES	XXXXX
HOURS	XXXXX
DAY	XXXXX
MONTH	XXXXX
YEAR	XXXXX

DEBUG MENU

- HART ERRORS XXXXX
- MODBUS ERRORS XXXXX
- ERROR DETAILS →
- OUTPUT READBACK XX.XX MA
- ANALOG INPUT XX.XX MA
- MAXIMUM CYCLE TIME XXXXX
- AVERAGE CYCLE TIME XXXXX

ERROR DETAILS

- HART MASTER →
- HART SLAVE →
- MODBUS →

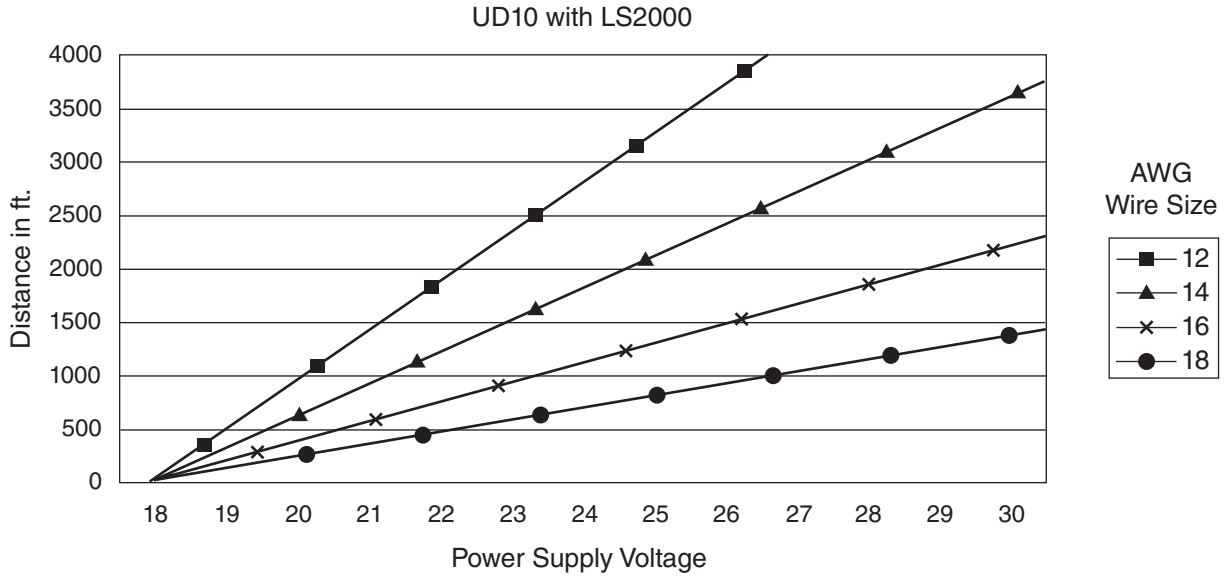
APPENDIX S

UD10 with LS2000 LINE OF SIGHT GAS DETECTOR

NOTE

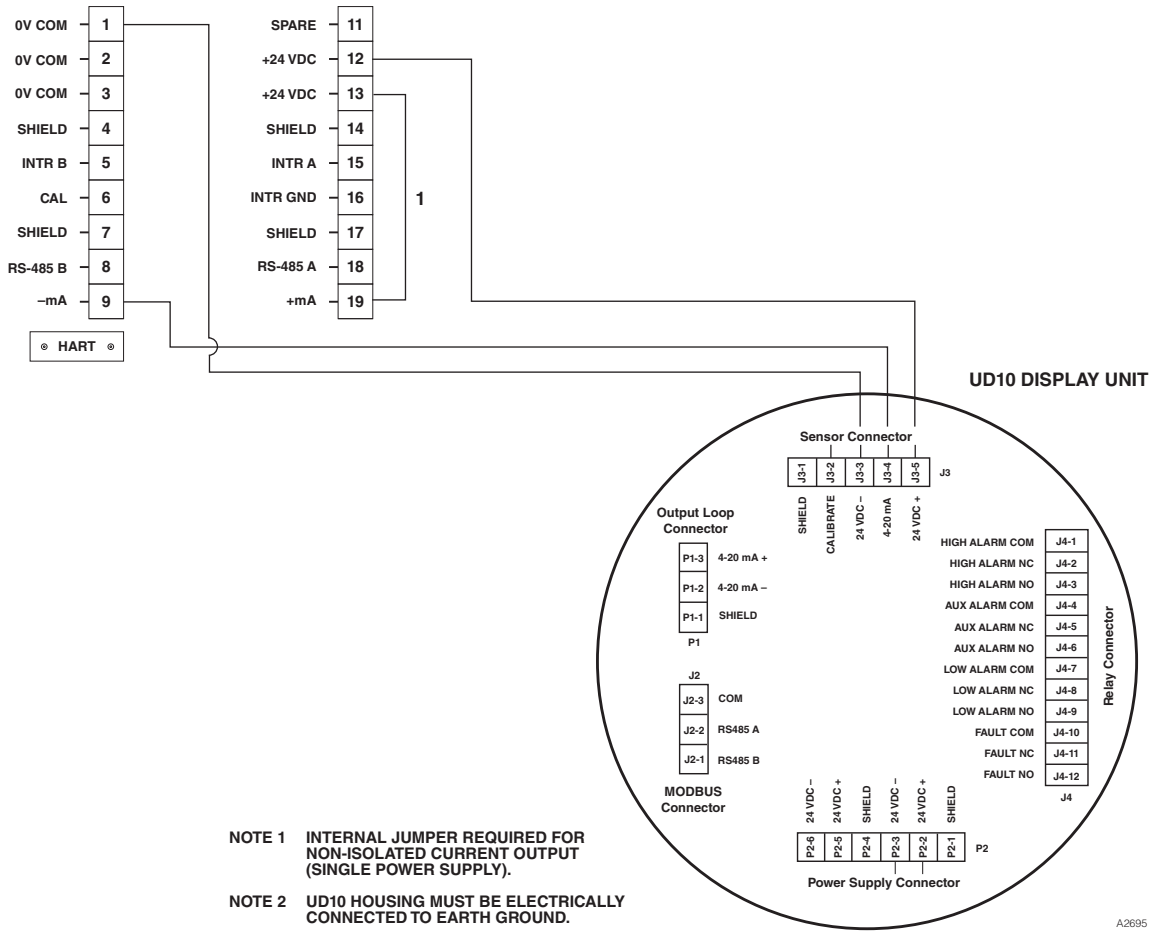
For complete information regarding the LS2000 Gas Detector, refer to instruction manual 95-8714.

WIRING



Notes: Maximum recommended cable length from power source to UD10 is 2000 feet.
Maximum recommended cable length from UD10 to sensor is 2000 feet.

LS2000 RECEIVER WITHOUT RELAYS



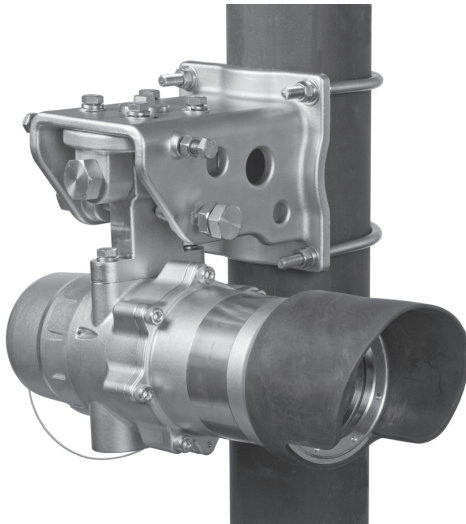
LS2000 Wired Directly to UD10

A2695

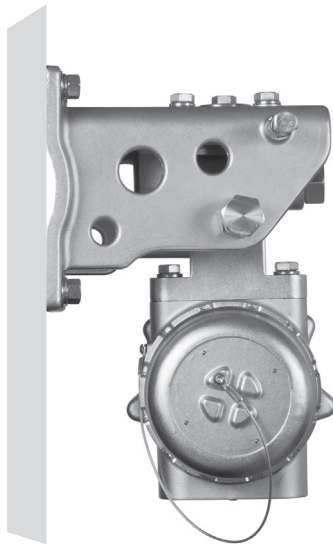
INSTALLATION

LS2000 modules must be affixed to a solid, non-vibrating structure capable of supporting a minimum of 100 lbs (46 kg), located within the system's rated separation distance. See examples below.

In all cases, consider whether additional bracing or support is needed to ensure the structural integrity of the module installation. Remember that accurate module alignment is essential for proper performance of a line-of-sight gas detection system. Movement may have a detrimental effect on alignment. This is especially true for installations with significant module separation distances.



LS2000 Gas Detector Mounted to Vertical Post

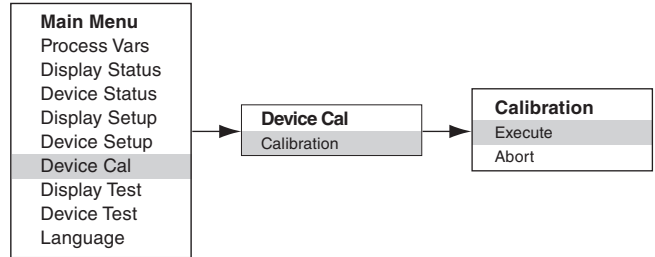


LS2000 Gas Detector Mounted to Flat Surface
(Refer to LS2000 Instruction Manual for mounting plate hole spacing dimensions.)

CALIBRATION

To initiate zero calibration of the LS2000 from the UD10 Display:

- Using the magnet to activate the switches on the UD10 display, navigate to the "Calibration" menu.



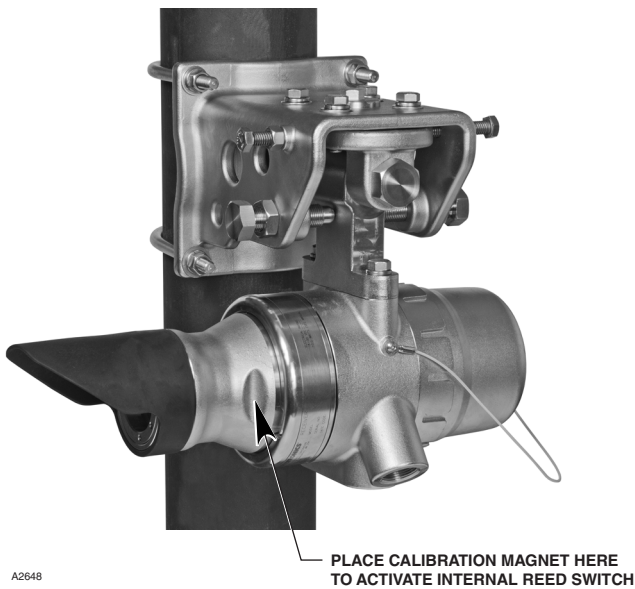
- Activate "Execute" (Enter/Select) to start calibration.
- The UD10 will display "Waiting for Zero" on the main display screen, with a solid red LED on the LS2000 housing illuminated.
- After the calibration is successfully completed, the UD10 automatically returns to the normal display with the green LED illuminated on the LS2000 housing.

UD10 mA Output During Calibration (UD10 with LS2000)		
UD10 Display Reading	Standard Mode	Replicate Mode
Waiting for Zero	3.8	1.0*
Back to Normal	4.0	4.0

*Can be set at 2.2 mA or as configured by user.

To initiate zero calibration from the LS2000:

1. Using the magnet, activate the magnetic calibration switch on the LS2000 receiver. See Figure below. The green LED will turn red.
2. The UD10 will display "Waiting for Zero" on the main display screen, with a solid red LED on the LS2000 housing illuminated.
3. After the calibration is successfully completed, the UD10 automatically returns to the normal display with the green LED illuminated on the LS2000 housing.



Location of Receiver's Internal Magnetic Switch

MENU STRUCTURE

UD10 with LS2000 Line of Sight Gas Detector

Refer to the following menu when using the UD10's LCD display and internal magnetic switches.

When connecting a HART Communicator to the UD10's 4-20 mA output, refer to the "UD10 HART" menu in Appendix F.

MENU HELP

*Status menus only allow the user to view the data.
The Setup menus allow the user to both view and edit the data.*

MAIN MENU

- PROCESS VARS →
- DISPLAY STATUS →
- DEVICE STATUS →
- DISPLAY SETUP →
- DEVICE SETUP →
- DEVICE CAL →
- DISPLAY TEST →
- DEVICE TEST →
- LANGUAGE →

PROCESS VARS

GAS NAME	XXXXXX
GAS VALUE	X.XX
HIGH ALARM	Y/N
LOW ALARM	Y/N
AUX ALARM	Y/N
ANALOG INPUT	X.XX MA
ANALOG OUTPUT	X.XX MA
URV	X.XX
LRV	X.XX
FAULT	Y/N

DISPLAY STATUS

- GENERAL INFO →
- FAULT/STATUS →
- HISTORY →
- DISPLAY INFO →
- RS485 →
- DEBUG MENU →

DEVICE STATUS

- GENERAL INFO →
- FAULT/STATUS →
- DEVICE INFO →
- SENSOR INFO →
- HISTORY →

DISPLAY SETUP

- ALARM SETTING →
- MODE SELECT →
- HART OPTION →
- RTC →
- RS485 →
- INPUT LOOP CAL →
- CONTRAST CONTRL →
- OUTPUT MODE →
- BACKLIGHT CTRL →
- HEATER CTRL →
- WRITE PROTECT →
- OP FEEDBACK FLT →
- SCROLLING DISPLAY →
- SET SCROLLING RATE XXX%

DEVICE SETUP

- DEVICE OPTION →
- ALARM SETTING →
- HART OPTION →
- RTC →
- RECEIVER SETUP →
- TRANSMITTER SETUP →
- WRITE PROTECT →

DEVICE CAL

CALIBRATION

DISPLAY TEST

- SELF TEST →
- RESPONSE TEST →
- LOOP TEST →
- D/A TRIM →

DEVICE TEST

- SELF TEST →
- RESPONSE TEST →
- LOOP TEST →
- D/A TRIM →

LANGUAGE

- ENGLISH
- SECOND LANGUAGE

DEVICE OPTION

- GAS NAME →
- UNIT OF MEASURE →
- URV XXXX
- LRV XXX

ALARM SETTING

- RST LATCH ALARMS XXXXX
- HGH ALARM LEVEL Y/N
- HGH ALARM LATCH →
- HGH ALARM NE/ND →
- LOW ALARM LEVEL XXXXX
- LOW ALARM LATCH Y/N
- LOW ALARM NE/ND →

HART OPTION

- TAG XXXXX
- LONG TAG XXXXX
- DESCRIPTOR XXXXX
- DATE DD/MMM/YYYY
- YYYY
- MESSAGE XXXX
- FINAL ASSY NUM XXXX

RTC

- SYNC W/DISP
- SECONDS XXXX
- MINUTES XXXX
- HOURS XXXX
- DAY XXXX
- MONTH XXXX
- YEAR XXXX

RECEIVER SETUP

- PROCESSING MODE XXXX
- OUTPUT LOOP SETUP →
- I-CONNECT MODE XXXX
- LOG INTERIM B-BLOCK XXXX
- B-BLOCK FAULT TIME XXXX
- GREEN LED SETTING XXXX
- GREEN LED OFF TIME XXXX
- HEATER SETTING →

TRANSMITTER SETUP

- TX LAMP VOLTAGE XXXXX
- ZERO CAL AUTO VOLT XXX
- HEATER SETTING →

WRITE PROTECT

- ENTER PASSWORD
- WRITE PROTECT XXXX

CALIBRATION

- EXECUTE
- ABORT

LOOP TEST

- SET 4-20 MA →

D/A TRIM

- ZERO TRIM
- GAIN TRIM

LOOP TEST

- SET 4-20 MA →

D/A TRIM

- ZERO TRIM
- GAIN TRIM

GAS NAME

- METHANE
- PROPANE
- BUTANE

UNIT OF MEASURE

- LFLM
- VOLM
- PPMM

PROCESS MODE

- NORMAL MODE
- QUICK MODE

OUTPUT LOOP SETUP

- OP FEEDBACK FLT →
- OP LOOP MODE →
- NO DETECTION LEVEL XXX
- ADVISORY LEVEL XXX
- CONFIG LEVEL XXX

LS2000

- ADVANCED
- USER DEFINED

HEATER SETTING

- HEATER MODE →
- HEATER POWER XXXXX
- HEATER VOLTAGE XXXXX

HEATER MODE

- ON
- OFF
- SMART MODE
- POWER SAVER MODE

SET 4-20 MA

- 3.5 MA
- 4 MA
- 6 MA
- 8 MA
- 10 MA
- 12 MA
- 14 MA
- 16 MA
- 18 MA
- 20 MA

SET 4-20 MA

- 3.5 MA
- 4 MA
- 6 MA
- 8 MA
- 10 MA
- 12 MA
- 14 MA
- 16 MA
- 18 MA
- 20 MA

ALARM SETTING

- RST LATCH ALARMS
- HGH ALARM LEVEL XX.XX
- HGH ALARM LATCH Y/N
- HGH ALARM NE/ND →
- LOW ALARM LEVEL XX.XX
- LOW ALARM LATCH Y/N
- LOW ALARM NE/ND →
- AUX ALARM LEVEL XX.XX
- AUX ALARM LATCH Y/N
- AUX ALARM NE/ND →

MODE SELECT

- HART DEVICE
- PIR9400
- PIRDUCT
- C706X
- 505
- NTMOS
- CGS
- GENERIC DEVICE

HART OPTION

- TAG XXXXX
- LONG TAG XXXXX
- DESCRIPTOR XXXXX
- DATE DD/MMM/YYYY
- MESSAGE XXXXX
- FINAL ASSY NUM XXXXX

RTC

- DISPLAYED Y/N
- SECONDS XX
- MINUTES XX
- HOURS XX
- DAY XX
- MONTH XX
- YEAR XX

RS485

- BAUD RATE XXXX
- PARITY XXXX
- POLL ADDRESS XXXX

OUTPUT MODE

- STANDARD
- REPLICATE

BACKLIGHT CTRL

- OFF
- ON
- AUTOMATIC

HEATER CTRL

- AUTOMATIC
- OFF

WRITE PROTECT

- CHANGE STATE
- CHANGE PASSWORD
- WRITE PROTECT XXXX

OP FEEDBACK FLT

- OFF
- ON

SCROLLING DISPLAY

- DISABLED
- ENABLED

GENERAL INFO

- MANUFACTURER →
- MODEL LS2000_RX
- TAG XXXX
- LONG TAG XXXX
- DESCRIPTOR XXXXX
- DATE DD/MMM/YYYY
- MESSAGE XXXX
- FINAL ASSY NUM XXXX
- DEVICE ID XXXX

DET-TRONICS

6901 WEST 110TH STREET
MINNEAPOLIS, MN 55438
USA

FAULT/STATUS

- OP MODE NORMAL
- CAL STATE XXXXX
- TX FAULT Y/N
- TX STATUS Y/N
- SENSOR FAULT Y/N
- SENSOR STATUS Y/N

DEVICE INFO

- SERIAL NUMBER XXXXX
- UNIVERSAL REV XXXXX
- FIELD DEV REV XXXXX
- S/W REV XXXXX

SENSOR INFO

- ACTIVE XX.XX
- REFERENCE XX.XX
- RATIO XX.XX
- GAS GAIN XX.XX
- GAIN MODE XXXX
- TEMPERATURE XX.XX C
- TX LAMP VOLTAGE XXXX
- ABSORPTION XX.XX
- FLASH COUNT XXXX

HISTORY

- DEVICE HISTORY →
- CALIBRATION LOG →
- EVENT LOG →

BAUD RATE

- 1200
- 2400
- 4800
- 9600
- 19.2K

PARITY

- NONE
- EVEN
- ODD

TX FAULT

- LOW VOLTAGE ON/OFF
- TRIGGER VOLTAGE ON/OFF
- 24V FAULT ON/OFF
- LAMP FAULT ON/OFF
- HIGH VOLATGE ON/OFF
- RAM FAULT ON/OFF
- FLASH FAULT ON/OFF
- FLASH CRC FAULT ON/OFF
- HEATER FAULT ON/OFF

TX STATUS

- ANY FAULT ON/OFF
- WARM UP ON/OFF

SENSOR FAULT

- CAL FAULT ON/OFF
- SPAN CAL FAULT ON/OFF
- BLOCKED OPTICS ON/OFF
- REF ADC SAT ON/OFF
- ACTIVE ADC SAT ON/OFF
- LOW VOLTAGE ON/OFF
- ZERO DRIFT FAULT ON/OFF
- O/P LOOP FAULT ON/OFF
- LOW SIGNAL ON/OFF
- INTERCONNECT FAULT ON/OFF
- LOW CAL LINE ON/OFF
- HIGH VOLTAGE ON/OFF
- RAM FAULT ON/OFF
- FLASH FAULT ON/OFF
- FLASH CRC FAULT ON/OFF
- AFE FAULT ON/OFF
- HEATER FAULT ON/OFF
- INTERNAL VOLTAGE ON/OFF

SENSOR STATUS

- WARM UP ON/OFF
- ANY FAULT ON/OFF
- CAL ACTIVE ON/OFF
- CURRENT FIXED ON/OFF
- ALIGN MODE ON/OFF
- CHANGE CONFIG ON/OFF
- LOW ALARM ON/OFF
- HIGH ALARM ON/OFF
- RESPONSE TEST ON/OFF
- HART SELF TEST ON/OFF
- INTERIM BEAM BLOCK ON/OFF

DEVICE HISTORY

- MAX TEMP XX.XX C
- MIN TEMP XX.XX C
- RUNNING HOURS XXXX

CALIBRATION LOG

- EVENT XXXXX
- DATE XXXXX
- TIME XXXX

EVENT LOG

- EVENT XXXXX
- DATE XXXXX
- TIME XXXX

GENERAL INFO

- MANUFACTURER →
- MODEL UD-10
- TAG XXXX
- LONG TAG XXXXX
- DESCRIPTOR XXXXX
- DATE DD/MMM/YYYY
- MESSAGE XXXXX
- FINAL ASSY NUM XXXXX
- DEVICE ID XXXXX

DET-TRONICS

6901 WEST 110TH STREET
MINNEAPOLIS, MN 55438
USA

FAULT/STATUS

- OP MODE XXXXX
- FAULT Y/N
- STATUS Y/N

STATUS

- ANY FAULT ON/OFF
- CAL ACTIVE ON/OFF
- WARM UP ON/OFF
- LOW RELAY ACTIVE ON/OFF
- HI RELAY ACTIVE ON/OFF
- AUX RELAY ACTIVE ON/OFF
- CURRENT FIXED ON/OFF
- MB WRITE PROTECT ON/OFF
- HART SELF TEST ON/OFF
- LON ATTACHED ON/OFF
- RESPONSE TEST ON/OFF
- MANUAL SELF TEST ON/OFF
- INPUT HART ON/OFF

DISPLAY HISTORY

- RUNNING HOURS XXXX
- MAX TEMP XX.XX C
- MAX TEMP TIME XX:XX:XX
- MIN TEMP XX.XX C
- MIN TEMP TIME XX:XX:XX
- RESET MAX MIN
- MAX RESET TEMP XX.XX C
- MAX RESET TIME XX:XX:XX
- MIN RESET TEMP XX.XX C
- MIN RESET TIME XX:XX:XX

HISTORY

- DISPLAY HISTORY →
- EVENT LOG →

DISPLAY INFO

- RTC →
- SERIAL NUMBER XXXXX
- I/O BOARD ID XXX
- MFG DATE DD/MM/YYYY
- F/W REV XXXXX
- UNIVERSAL REV XXXXX
- FIELD DEV REV XXXXX
- RUNNING HOURS XXXXX
- TEMPERATURE XX.XX C
- HEATER CTRL AUTO/ON/OFF
- BACKLIGHT CTRL AUTO/ON/OFF
- INPUT VOLTAGE XX.XX

RS485

- BAUD RATE XXXX
- PARITY XXXX
- POLL ADDRESS XXXX

DEBUG MENU

- HART ERRORS XXXXX
- MODBUS ERRORS XXXXX
- ERROR DETAILS →
- OUTPUT READBACK XX.XX MA
- ANALOG INPUT XX.XX MA
- MAXIMUM CYCLE TIME XXXXX
- AVERAGE CYCLE TIME XXXXX

FAULT

- LOW CAL LINE ON/OFF
- EE FAULT ON/OFF
- ADC FAULT ON/OFF
- 24V FAULT ON/OFF
- FLASH FAULT ON/OFF
- RAM FAULT ON/OFF
- WDT FAULT ON/OFF
- 12V FAULT ON/OFF
- 5V FAULT ON/OFF
- 1.25V FAULT ON/OFF
- O/P LOOP FAULT ON/OFF
- INPUT LOOP FAULT ON/OFF
- OV FAULT ON/OFF
- ADC REF FAULT ON/OFF

EVENT LOG

- EVENT XXXXX
- DATE DD/MMM/YYYY
- TIME HH:MM:SS

RTC

- DISPLAYED Y/N
- SECONDS XX
- MINUTES XX
- HOURS XX
- DAY XX
- MONTH XX
- YEAR XX

ERROR DETAILS

- HART MASTER →
- HART SLAVE →
- MODBUS →



95-8661



FlexSonic® Acoustic
Leak Detector



X3301 Multispectrum
IR Flame Detector



PointWatch Eclipse® IR
Combustible Gas Detector



FlexVu® Universal Display
with GT3000 Toxic Gas Detector



Eagle Quantum Premier®
Safety System

Specifications subject to change without notice.

All trademarks are the property of their respective owners.
© 2020 Carrier. All rights reserved.

Det-Tronics manufacturing system is certified to ISO 9001—
the world's most recognized quality management standard.



Corporate Office
6901 West 110th Street
Minneapolis, MN 55438 USA
www.det-tronics.com

Phone: +1 952.941.6665
Toll-free: +1 800.765.3473
Fax: 952.829.8750
det-tronics@carrier.com