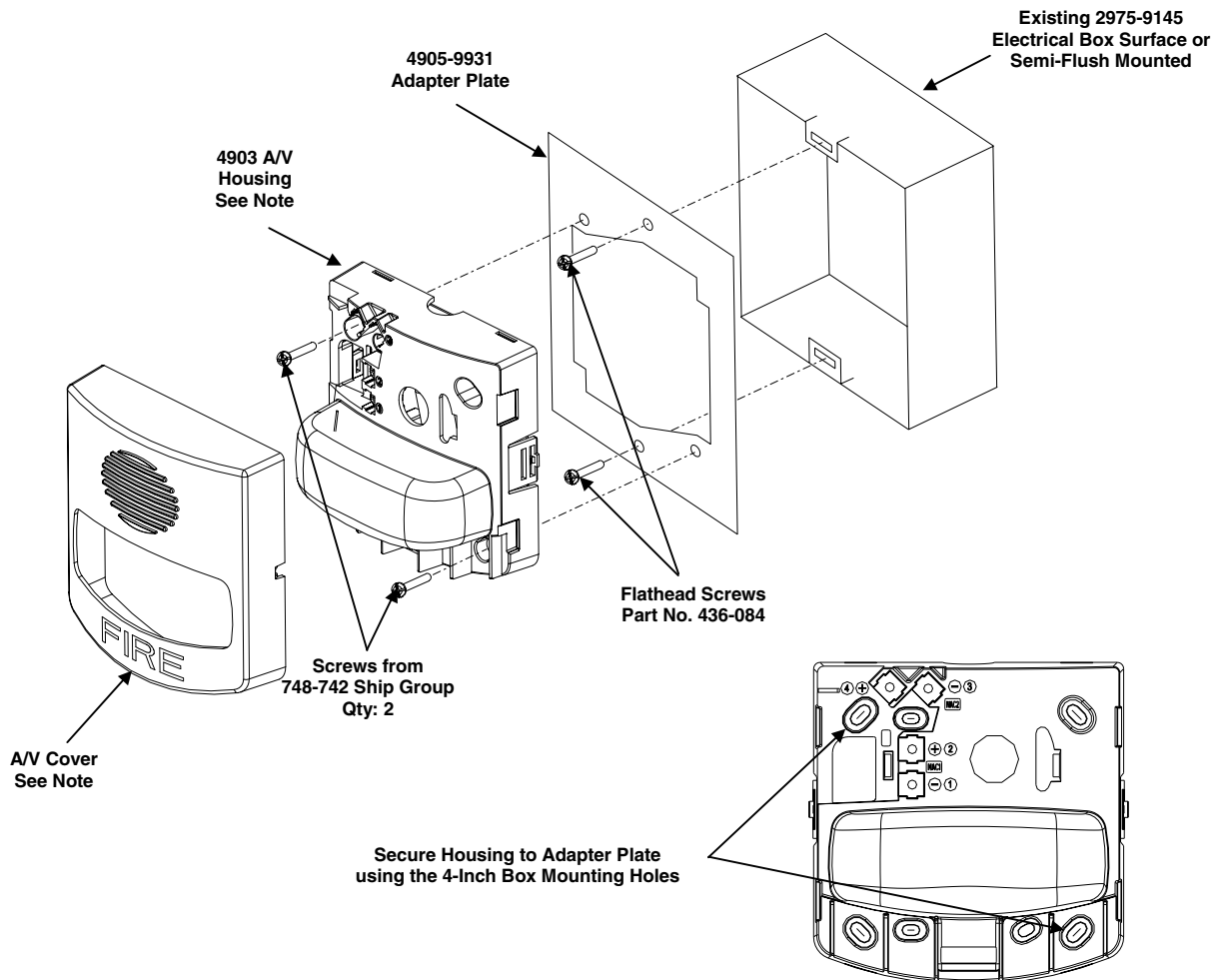


### 4905-9931 Adapter Plate

Use the 4905-9931 Adapter Plate to install TrueAlert™ addressable and non-addressable notification appliances to an existing Simplex 2975-9145 electrical box. The TrueAlert addressable and non-addressable wall-mount 4901 Horn, 4903 Audible/Visible (illustrated below), and 4904 Strobe can be surface or semi-flush mounted to the box using the adapter plate with the supplied two flathead screws (Part No. 436-084).

Refer to the Figure 1 to install the 4905-9931 Adapter Plate. The adapter plate allows for vertical and horizontal mounting to the electrical box. It is possible to rotate the adapter plate and notification appliance to satisfy installation requirements.

**DO NOT USE** this adapter plate for humid-application installations.



**Note:**

The TrueAlert wall-mounted Horn, A/V and strobe units mount to the adapter plate using the 4-inch square mounting holes. Refer to appliance installation instructions for box and interconnection requirements.

- *4901 TrueAlert™ Horn Installation Instructions 574-764*
- *4903 TrueAlert™ Audible/Visible Installation Instructions 574-768*
- *4904 TrueAlert™ Strobe Installation Instructions 574-767*
- *4901 TrueAlert™ Non-Addressable Horn Installation Instructions 574-720*
- *4903 TrueAlert™ Non-Addressable Audible/Visible Installation Instructions 574-721*
- *4904 TrueAlert™ Non-Addressable Strobe Installation Instructions 574-722*

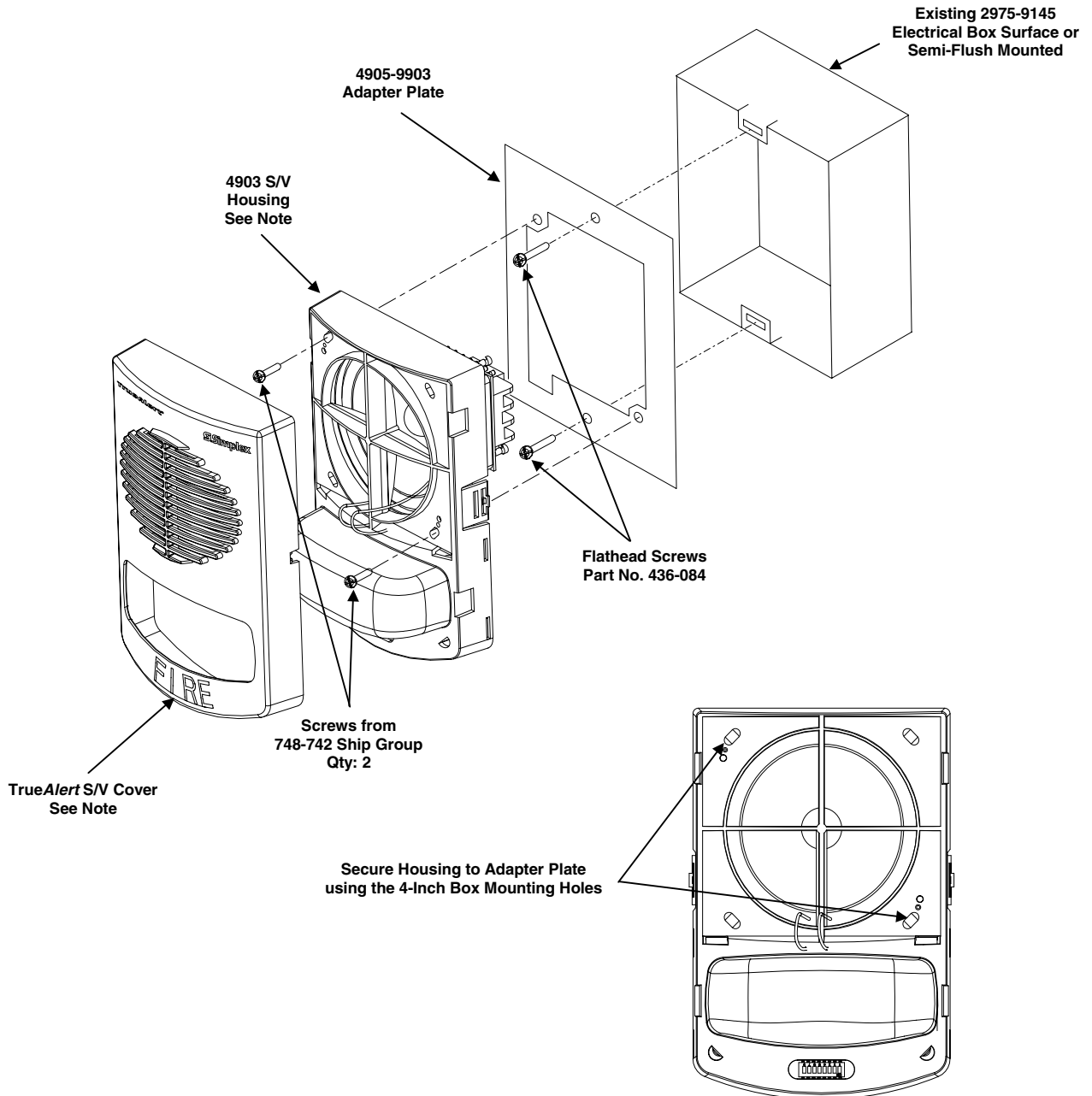
**Figure 1. 4905-9931 Adapter Plate Installation**

## 4905-9903 Adapter Plate

Use the 4905-9903 Adapter Plate to install TrueAlert™ 4903 Speaker/Visible notification appliance to an existing Simplex 2975-9145 electrical box. The TrueAlert wall-mount 4903 Audible/Visible (illustrated below) can be surface or semi-flush mounted to the box using the adapter plate with the supplied two flathead screws (Part No. 436-084).

Refer to the Figure 2 to install the 4905-9903 Adapter Plate. The adapter plate allows for vertical and horizontal mounting to the electrical box. It is possible to rotate the adapter plate and notification appliance to satisfy installation requirements.

**DO NOT USE** this adapter plate for humid-application installations.



### Note:

The TrueAlert wall-mounted S/V mount to the adapter plate using the 4-inch square mounting holes. Refer to appliance installation instructions for box and interconnection requirements.

- 4903 TrueAlert Speaker/Visible Installation Instructions 574-766

**Figure 2. 4905-9903 Adapter Plate Installation**