

**Features**

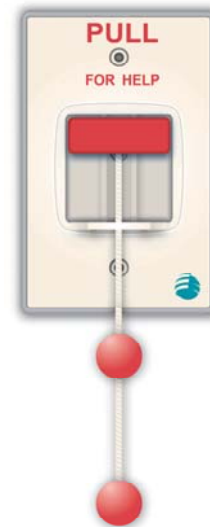
- Available in 3 types: Code Blue, Emergency, and Water Resistant Bath/Shower
- Code Blue and Emergency Stations can be Used in Patient Rooms and Staff Areas
- Waterproof Bath/Shower Station for use in High Moisture Areas
- Easy Call Placement and Call Cancellation
- Call Status is Indicated at an LED on each Station and by Visual Study of Lever Position

**Description**

The 5009 Code, Emergency, and Bath/Shower Stations are single-gang, wall-mounted devices used to signal high-priority level calls on the EZ Care system. Stations must be connected to either a Model 5009-9801 or 5009-9707 Non-Audio Room Controller, a 130.1200 or 130.1600 Audio Room Controller, or a 5009 93xx Series Audio Patient Station. Stations can be configured to be fully supervised.

Stations provide a lever for call placement and reset as well as a call assurance LED. When the lever is pushed into the DOWN position, the call is latched mechanically at the station and the red LED call assurance indicator is activated to indicate the call has been placed. The call is cancelled at the station by pushing the lever into the UP position. If a supervision scheme is used, the room controller reports a fault condition if the wiring between the controller and the station is severed, shorted to ground, or shorted to power. Each station features an integral, jumper selectable, 150 Ohm end-of-line resistor. Bath/Shower features a water seal gasket.

Refer to the *EZ Care Installation Manual*, 579-469 for detailed wiring and mounting instructions.



5009-9311  
Bath/Shower Station



5009-9312  
Emergency Station



5009-9313  
Code Blue Station

**Listings & Approvals**

- UL 1069 Listed



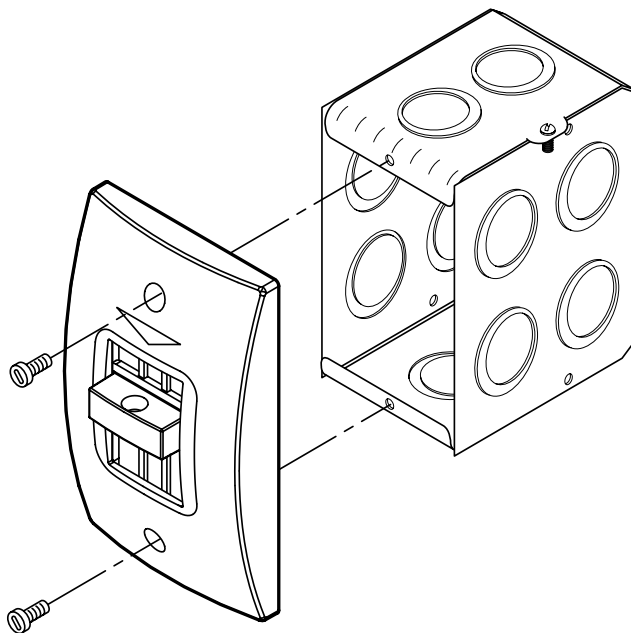
Model	Description	Must connect to...
5009-9313	Code Blue Station	5009-9801 Four-Bulb Dome Lamp with Controller 5009-9707 Stand-Alone Room Controller 130.1200 Audio Room Controller with Dome Lamp 130.1600 Audio Room Controller without Dome Lamp 5009 Audio Patient Station
5009-9312	Emergency Station	5009-9801 Four-Bulb Dome Lamp with Controller 5009-9707 Stand-Alone Room Controller 130.1200 Audio Room Controller with Dome Lamp 130.1600 Audio Room Controller without Dome Lamp 5009 Audio Patient Station
5009-9311	Bath/Shower Station	5009-9801 Four-Bulb Dome Lamp with Controller 5009-9707 Stand-Alone Room Controller 130.1200 Audio Room Controller with Dome Lamp 130.1600 Audio Room Controller without Dome Lamp 5009-93xx Series Audio Patient Station

## Specifications

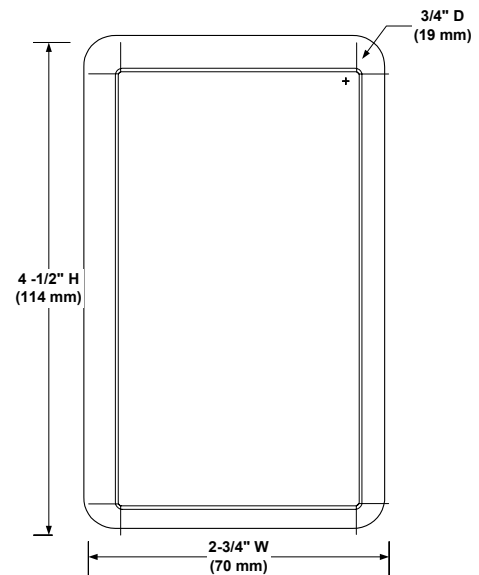
Refer to the *EZ Care Installation Manual*, 579-469 for detailed wiring and mounting instructions.

<b>Dimensions</b>	4-1/2" H x 2-3/4" W x 1-1/4" D (114 mm x 70 mm x 32 mm)
<b>Mounting</b>	Mounts in single-gang backbox or single-gang masonry box for retrofit installations.
<b>Operating Voltage</b>	24 VDC +/- 15%

## Mounting Information



Mounting Emergency, Code Blue or Bath/Shower Station



Station Dimensions

This literature does not cover all the variations in the equipment described, nor does it provide for every possible contingency to be met in connection with installation, operation, and maintenance. All specifications and listings are subject to change without notice.

Tyco, Executone, Zettler, and the "Globe" design are trademarks owned or used under license by Tyco International Services AG or its affiliates in the U.S. and/or other countries.