

# Celestra™ 2000

## Digital Clock Assemblies

### 6334-Series 2.5" and 4" LED Displays

#### STANDARD FEATURES:

- 2.5" Red or 4.0" Red LED Displays (also available in Amber or Green)
- Multiple Correction Modes:
  - Digital BCD
  - Synchronous Clock Correction
  - Power Line Carrier Option
  - Power Drop Operation
  - Stand-Alone Operation
  - Impulse Using 6400 Master Clock
- 12- or 24-Hour (00-23) Display, Switch Selectable
- High Impact, Flame Retardant, Molded Case
- Built-in Time Setting Switches
- 120V Version is ETL and cETL Listed and Tested to UL 1950
- 230V Version is CE Marked
- Surface and Bi-Directional Wall and Ceiling Mounting
- Display Brightness Switch

#### DESCRIPTION:

The Simplex Celestra 2000 digital clocks provide high visibility under a variety of ambient light conditions. Models 6334-9125 through -9137 have a 2.5" high display for applications where the viewer may be close to the clock, such as in an office or a classroom. Models 6334-9140 through -9152 have a 4.0" high display for longer viewing distances, such as in an auditorium, cafeteria, long hallway, warehouse or manufacturing facility.

Specifications	
Input Voltage	120 VAC (100-132 VAC)
	230 VAC (200-252 VAC)
Power Consumption	18 W
Finish	Celex 5100 (Black with Amber, Green or Red LED Display)
Operating Temperature	32° to 95° F (0° to 35° C)
Humidity	95% Non-Condensing
2.5" Clock Dimensions	8-13/16" W x 5" H x 2-1/2" D (22.4cm x 12.7cm x 6.4cm)
4.0" Clock Dimensions	13-9/16" W x 7-1/16" H x 2-1/2" D (34.4cm x 17.9cm x 6.4cm)



Celestra™ 2000 LED Clock

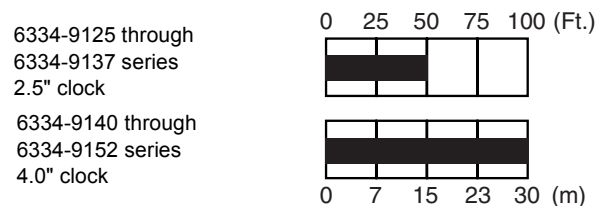
#### OPERATION:

For independent operation, the clock is connected to a reliable source of 120 VAC 60HZ (or 230 VAC 50HZ), and time is maintained with a real time clock chip. Switches located on the front of the clock allow for easy and accurate time setting. For system clock applications, synchronization can be accomplished by connection to Simplex BCD digital data for instantaneous time updates. Clocks can also be connected to power line carrier/synchronous timing inputs that provide hourly and 12 hour corrections. Impulse correction from the 6400 Series Master Clock is ideally suited for Time and Attendance System expansions. A capacitor in each clock maintains timekeeping for approximately 12 hours in the event of power failure in the facility. The Celestra 2000 can be corrected with six different clock codes to suit any specific retrofit or new synchronized time system.

#### VISIBILITY CHART:

See the figure below for visibility information on Simplex Celestra 2000 digital clocks.

**Note: Visibility of amber and green varies slightly from the values shown.**



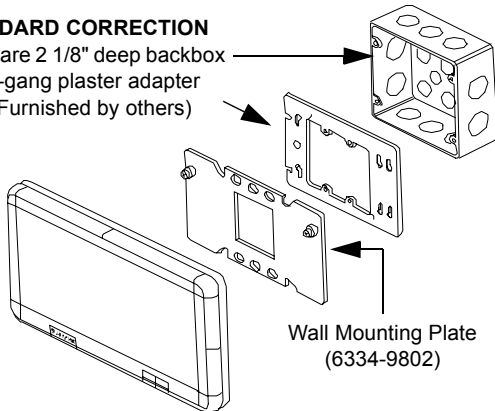
## SURFACE WALL MOUNTING:

The figure below shows surface wall mounting on Celestra 2000 digital clocks.

Each clock requires a 6334-9802 Wall Mounting Plate and the appropriate wiring harness assembly.

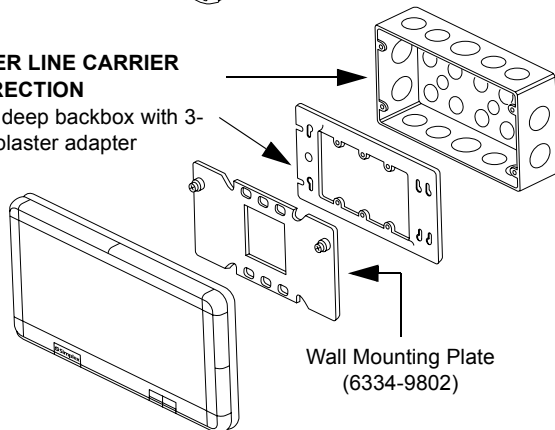
### STANDARD CORRECTION

4" square 2 1/8" deep backbox with 2-gang plaster adapter ring. (Furnished by others)



### POWER LINE CARRIER CORRECTION

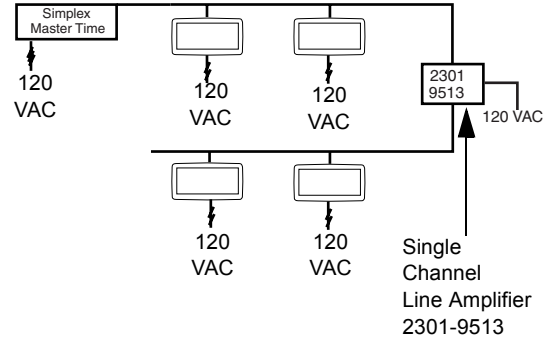
2 1/8" deep backbox with 3-gang plaster adapter



**Note:** Clocks with electronic correction receiver assemblies require the 5001-9907 (Steel City H3BD) Box and the 5001-9906 (Steel City 3GC) Ring.

## TYPICAL NEW INSTALLATION WIRING:

Each BCD correction wiring circuit requires 1 pair, twisted shielded, 18 AWG or 1 pair, Level 5, 24 AWG.



Typical wiring requirements for the systems with line amplifier. Each clock requires local 120 or 230 VAC power.

**Note:** Each line amplifier operates up to 50 Celestra 2000 digital clocks. When less than 50 Celestra 2000 digital clocks are to be controlled, the line amplifier may be omitted.

## CLOCK MODELS:

Description	PID
2.5" Red LED, 120 VAC	6334-9125
2.5" Green LED, 120 VAC	6334-9126
2.5" Amber LED, 120 VAC	6334-9127
2.5" Red LED, 230 VAC	6334-9135
2.5" Green LED, 230 VAC	6334-9136
2.5" Amber LED, 230 VAC	6334-9137
4.0" Red LED, 120 VAC	6334-9140
4.0" Green LED, 120 VAC	6334-9141
4.0" Amber LED, 120 VAC	6334-9142
4.0" Red LED, 230 VAC	6334-9150
4.0" Green LED, 230 VAC	6334-9151
4.0" Amber LED, 230 VAC	6334-9152

The 6334-9802 Wall Mounting Plate, the 6334-9803 Harness Assembly (120 VAC), and the 6334-9804 Harness Assembly (230 VAC) can also be ordered separately for each clock.

## BI-DIRECTIONAL WALL MOUNTING:

Bi-directional wall mounting is possible when using the 6334-9807 Wall Mounting Plate as shown below.

