

Notification Appliances

SET – Speakers and Speaker Strobes

Application: Indoor / Outdoor



SET-MC-CW
Speaker Strobe



SET-CW
Speaker



SET-MC-R
Speaker Strobe



SET-W
Speaker

Product Overview

- Fast installation with In / Out screw terminals using #12 to #18 AWG wires
- High-efficiency design for maximum output at minimum wattage across a frequency range of 400 to 4000Hz
- Field-selectable taps for 25 or 70 VRMS operation from 1/8 Watt to 8 Watts
- Strobes can be synchronized using the Siemens DSC sync modules; the Siemens 50-point, 252-point and 504-point fire alarm control panels (FACPs), as well as with:
 - FireFinder® XLS and MXL® FACPs
 - PAD-3 or PAD-4™ NAC Extenders with built-in sync protocol
- Ceiling-mount models are available with field-selectable Candela settings of 15/30/75/95cd or 115/177cd
- Wall-mount models are available with field-selectable Candela settings of 15/30/75/110cd or 135/185cd (multi-Candela models)
- Weatherproof (single-candela) models are available with the following ratings:
 - 30/180cd (ceiling or wall mount), per @UL 1971
 - 115cd (ceiling or wall mount), per @UL 1638
 - 177cd (ceiling-only mount) per @UL 1971
 - 75cd (ceiling-only mount), per @UL 1638
 - 185cd (wall-only mount), per @UL 1971
 - 90cd (wall-only mount), per @UL 1638
- @UL Listed;
 - FM, CSFM and NYCFD Approved
 - CSFM (#7125-0067:0254 -> Fire Alarm Devices For The Hearing Impaired)
 - CSFM (#7125-0067:0255 -> Speakers)
- ADA / NFPA compliant

Specifications

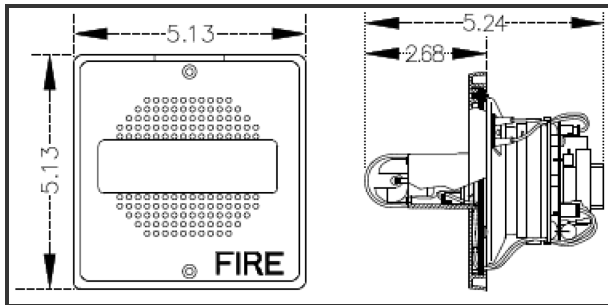
- Speaker appliances are Siemens Series `SET` Speakers and speaker / strobe appliances are Siemens Series `SET` Speaker Strobes or approved equals
 - speakers are @UL Listed under Standard 1480 for Fire Protective Service
 - speaker-strobes are @UL Listed under Standard 1971 for Emergency Devices for the Hearing-Impaired
 - speaker-strobes are @UL Listed under Standard 1638 for Weatherproof Devices
- Selector switch for selecting the candela is tamper-resistant

'SET' Series Strobes and Strobe Plates 2581

Specifications – (continued)

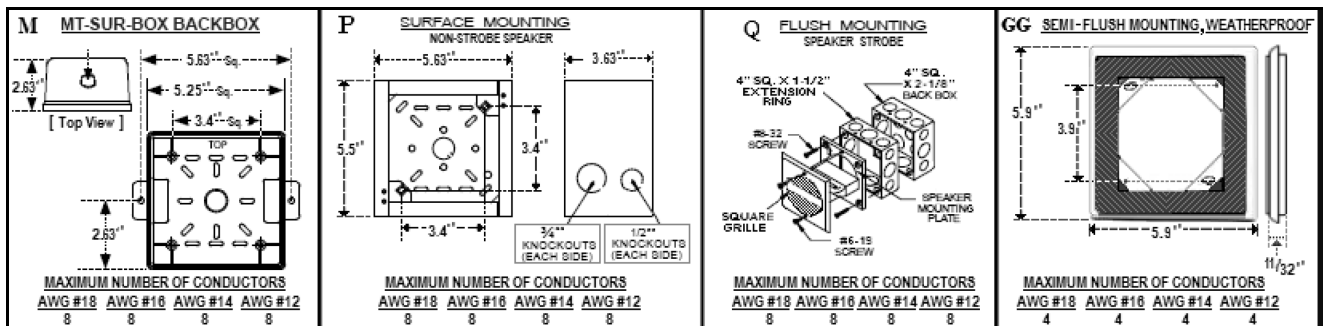
- Strobe portion of each appliance produces a flash rate of one (1) flash per second, and has a Xenon flashtube enclosed in a rugged Lexan® lens
- Strobe are of low-current design
- The strobes do not drift out of synchronization at any time during operation
- Speaker and speaker / strobe appliances are designed for indoor and outdoor surface or flush mount
- Weatherproof (single-candela) models are available with the following ratings:
 - 30/180cd (ceiling or wall mount), per @UL 1971
115cd (ceiling or wall mount), per @UL 1638
 - 177cd (ceiling-only mount) per @UL 1971
75cd (ceiling-only mount), per @UL 1638
 - 185cd (wall-only mount), per @UL 1971
90cd (wall-only mount), per @UL 1638
- Ceiling-mount models are available with field-selectable Candela settings of 15/30/75/95cd or 115/177cd
- Wall-mount models are available with field-selectable Candela settings of 15/30/75/110cd or 135/185cd
- All speaker models have a listed sound output of up to 93dB at 10 feet, and a listed frequency response of 400 to 4000Hz
- All inputs employ terminals that accept #12 to #18 AWG wire sizes
- Speaker and speaker / strobe incorporate a speaker-mounting plate with a grille cover, which is secured with two screws for a level finish
 - Grille cover mounts to standard electrical hardware requiring no additional trim plate or adapter
- The finish of the Series SET speakers and speakers strobes is available in either white or red
- All speaker and speaker / strobe appliances are listed for Special Applications:
 - Strobes are designed to flash at 1-flash-per-second minimum over their "Regulated Input Voltage Range"
 - **Note:** NFPA-72 specifies a flash rate of 1-to-2 flashes per second, and ADA Guidelines specify a flash rate of 1-to-3 flashes per second
 - All candela ratings represent minimum-effective Strobe intensity, based on @UL Standard 1971

Mounting Diagram



(Shown In Inches)

Mounting Options



Technical Data

SET-MC and SET-HMC Series Strobes: Wall Mount

Current Ratings (AMPs)							
MAXIMUM RMS Current							
Input Voltage		15cd	30cd	75cd	110cd	135cd	185cd
DC	16.0 – 33.0VDC	0.064	0.098	0.175	0.233	0.318	0.445
FWR	16.0 – 33.0VRMS	0.108	0.164	0.268	0.368	0.482	0.684

SET-MC-C and SET-HMC-C Series Strobes: Ceiling

Current Ratings (AMPs)							
MAXIMUM RMS Current							
Input Voltage		15cd	30cd	75cd	95cd	115cd	177cd
DC	16.0 – 33.0VDC	0.069	0.111	0.200	0.264	0.318	0.445
FWR	16.0 – 33.0VRMS	0.117	0.180	0.297	0.398	0.482	0.684

SET-177, SET-185 Series Strobes: Weatherproof

Operating Voltage (Special Application)					
Input Voltage		75cd	177cd	90cd	185cd
		(Per ®UL1638)	(Per ®UL1971)	(Per ®UL1638)	(Per ®UL1971)
DC	16.0 – 33.0VDC	0.445		0.445	
FWR	16.0 – 33.0VRMS	0.684		0.684	

SET-S17 Series Strobes: Weatherproof

Operating Voltage (Special Application)			
Input Voltage		115cd	30/180cd
		(Per ®UL1638)	(Per ®UL1971)
DC	16.0 – 33.0VDC	0.146	
FWR	16.0 – 33.0VRMS	0.235	

SET Series Strobes, Weatherproof

®UL Models and Ratings			
Model	Operating Voltage (Special Application) Per ®UL1971 (VDC / VRMS)	®UL Rated Strobe Candela (cd)	
		At -40°C, per ®UL1638	®UL1971
SET-S17-CW-WP*	16.0 – 33.0	115	30 / 180 **
SET-S17-WP*	16.0 – 33.0	115	30 / 180 **
SET-177-C-WP*	16.0 – 33.0	75	177
SET-185-WP*	16.0 – 33.0	90	185

* Available in red or white.

180cd is on Axis only **

SET | SET-MC | SET-HMC Series: Speaker Output

®UL Listed Models and Ratings								
Model*	Operating Voltage (VRMS)	dBA at 10 feet (Rated Watts)						
		1/8	1/4	1/2	1	2	4	8
SET	25/70	75	78	81	84	87	90	93
SET-C	25/70	75	78	81	84	87	90	93
SET-HMC	25/70	75	78	81	84	87	90	93

* All models available in red or white.

SET Series: Speaker Output, Weatherproof

®UL Listed Models and Ratings								
Model*	Operating Voltage (VRMS)	dBA at 10 feet (Rated Watts)						
		1/8	1/4	1/2	1	2	4	8
SET-S17-CW-WP*	25/70	77	80	83	86	88	91	93
SET-S17-WP*	25/70	77	80	83	86	88	91	93
SET-177-C-WP*	25/70	77	80	83	86	88	91	93
SET-185-WP*	25/70	77	80	83	86	88	91	93

* All models available in red or white.

Notes: 1. Models are ®UL Listed for indoor use with a temperature range of +32°F to +120°F (0°C to +49°C) and maximum humidity of 85% RH. The effect of shipping and storage temperatures will not adversely affect the performance of the appliance when it is stored in the original cartons and is not subjected to misuse or abuse

2. The maximum supervision voltage is 33 Volts DC

3. Frequency range of speakers is 400 – 4000Hz

The effect of shipping and storage temperatures will not adversely affect the performance of the appliance when it is stored in the original cartons, and is not subjected to either misuse or improper handling of shipment.

Speaker Voltage & Wattage Connection Chart

Position	25V	70V
A	8	---
B	4	---
C	2	---
D	1	8
E	1/2	4
F	1/4	2
G	1/8	1
H	----	1/2
G	----	1/4
H	----	1/8

Details for Ordering – (Including Mounting Options & Agency Approvals)

Agency Approvals

Model	Part Number	Description	Mounting Options*	UL	FM	CSFM
SET-MC-R	500-636051	SET Series: Multi-Candela, Red	L,P,Q,U,Y	✓	✓	✓
SET-MC-W	500-636052	SET Series: Multi-Candela, White	L,P,Q,U,Y	✓	✓	✓
SET-MC-CW	500-636063	SET Series: Multi-Candela Ceiling, White	Q,U,Y	✓	✓	✓
SET-MC-CR	500-636062	SET Series: Multi-Candela Ceiling, Red	Q,U,Y	✓	✓	✓
SET-HMC-R	500-636053	SET Series: Hi Multi-Candela, Red	L,P,Q,U,Y	✓	✓	✓
SET-HMC-W	500-636054	SET Series: Hi Multi-Candela, White	L,P,Q,U,Y	✓	✓	✓
SET-HMC-CW	500-636065	SET Series: Hi Multi-Candela Ceiling, White	Q,U,Y	✓	✓	✓
SET-HMC-CR	500-636064	SET Series: Hi Multi-Candela Ceiling, Red	Q,U,Y	✓	✓	✓
SET-R	500-636055	SET Series: Speaker, Red	P,Q,U,Y	✓	✓	✓
SET-W	500-636056	SET Series: Speaker, White	P,Q,U,Y	✓	✓	✓
SET-CW	500-636067	SET Series: Ceiling Speaker, White	Q,U	✓	✓	✓
SET-S17-R-WP	500-636058	SET Series: 15/75 Strobe Weatherproof, Red	M M+WPS-KIT GG	✓	✓	✓
SET-S17-W-WP	500-636059	SET Series: 15/75 Strobe Wall Weatherproof, White	M M+WPS-KIT GG	✓	✓	✓
SET-S17-CW-WP	500-636057	SET Series: 15/75 Strobe Ceiling Weatherproof, White	M M+WPS-KIT GG	✓	✓	✓
SET-177-CR-WP	500-636189	SET Series: Hi Candela Ceiling Weatherproof, Red	M M+WPS-KIT GG	✓	✓	✓
SET-177-CW-WP	500-636190	SET Series: Hi Candela Ceiling Weatherproof, White	M M+WPS-KIT GG	✓	✓	✓
SET-185-R-WP	500-636191	SET Series: Hi Candela Wall Weatherproof, Red	M M+WPS-KIT GG	✓	✓	✓
SET-185-W-WP	500-636192	SET Series: Hi Candela Wall Weatherproof, White	M M+WPS-KIT GG	✓	✓	✓

Note: A Siemens WPS-KIT is comprised of one (1) hardware package; two (2) red plugs; two (2) white plugs, and one (1) gasket.

✓: Agency Listed / approved

*: Refer to data sheet #2585 for detailed mounting options

Notice: This marketing data sheet is not intended to be used for system design or installation purposes. For the most up-to-date information, refer to each product's installation instructions.