

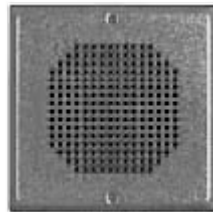
## '08 Series Notification Appliances

### CH – Chimes and Chime Strobes

Application: Indoor



CH-CW  
Chime



CH-R  
Chime



CH-MC-R  
Chime Strobe



CH-MC-CW  
Chime Strobe

### Product Overview

- Low current draw with temperature compensation to reduce power consumption and wiring costs
- Wall-mount models are available with field selectable Candela settings of 15/30/75/110cd
- Ceiling-mount models are available with field selectable candela settings of 15/30/75/95cd or 115/177cd
- Strobes produce one (1) flash per second over the regulated input voltage range
- Strobes can be synchronized using the Siemens DSC sync modules, FS-250 panel, XLS panel, or PAD-3 power supply with built-in sync protocol
- Adjustable volume and tone control
- Single stroke or vibrating operation
- Fast Installation with In / Out screw terminals using #12 to #18 AWG wires
- UL Listed & ULC Listed;
- FM, CSFM & NYMEA Approved
- Meets OSHA 29 Part 1910.165
- ADA/NFPA/UFC/ANSI compliant

### Specifications

- Chime appliances shall be Siemens Series CH Chimes, and the chime-strobe appliances shall be Siemens Series CH Chime Strobes or approved equals
- The chime shall be UL Listed under Standard 464 for Audible Signal Appliances, and chimes equipped with strobes shall be listed under UL Standard 1971 for Emergency Devices for the Hearing-Impaired
- Strobes shall incorporate low-temperature compensation to ensure the lowest possible current consumption
- All chimes shall use solid state components, and shall provide field-selectable, single-stroke or vibrating operation with volume and tone control
- All models shall have a peak sound output of 83 dBA Anechoic at 10 feet, and an adjustable frequency range of 800 to 1200 Hz.
- All inputs shall employ terminals that accept #12 to #18 AWG wire sizes
- Strobe portion of the appliance shall produce a flash rate of one (1) flash per second over the Regulated Input Voltage Range, and shall incorporate a Xenon flashtube enclosed in a rugged Lexan<sup>®</sup> lens
- Strobe shall be of low-current design, and where multi-Candela Chime Strobes are specified, the strobe intensity shall have field-selectable settings and shall be rated per UL Standard 1971 at:
  - 15/30/75/110cd for wall mount
  - 15/30/75/95cd or 115/177cd for ceiling mount

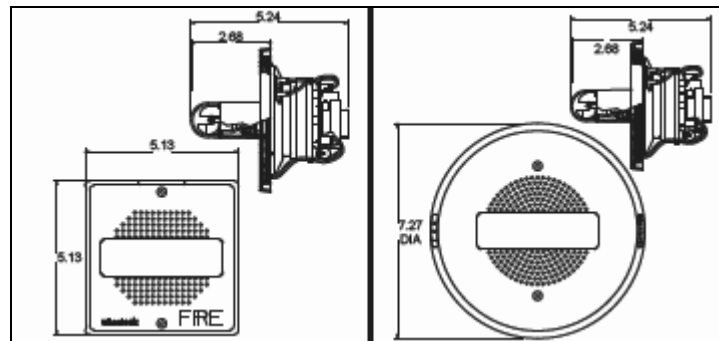
## Specifications – (continued)

- The selector switch for selecting the candela shall be tamper resistant and not accessible from the front of the appliance
- Synchronization is possible when using the Siemens DSC sync modules, FS-250 panel, XLS panel, or PAD-3 power supply with built-in sync protocol
- The strobes shall not drift out of synchronization at any time during operation – If the sync module or Power Supply fails to operate, (i.e., contacts remain closed), the strobe shall revert to a non-synchronized flash rate
- The chime and the chime-strobe appliances shall be designed for indoor surface or flush mounting
- The chime and chime strobe shall incorporate a chime mounting plate with a grille cover which is secured with two screws for a level, finish and shall mount to standard electrical hardware requiring no additional trim plate or adapter
- All notification appliances shall be listed for “Special Applications”

## General Notes

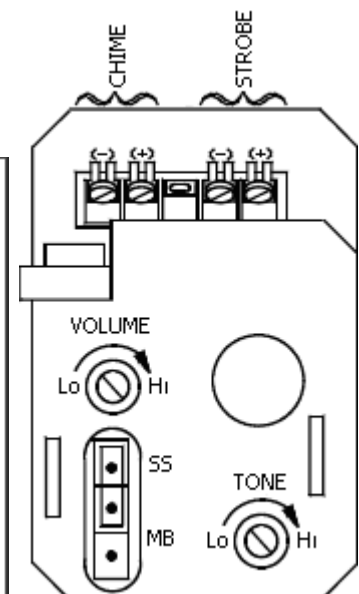
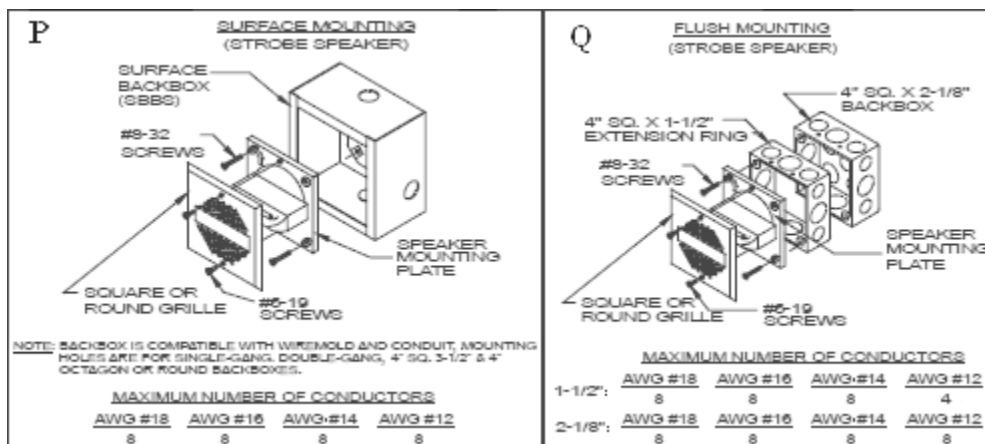
- Strobes are designed to flash at one (1) flash per second minimum over their “Regulated Input Voltage Range”
  - **Note:** \*\* NFPA-72 specifies a flash rate of 1 to 2 flashes per second, while ADA Guidelines specify a flash rate of 1 to 3 flashes per second \*\*
- All candela ratings represent minimum effective Strobe intensity based on ©UL Standard 1971

## Mounting Diagram



(Shown In Inches)

## Mounting Options



## Technical Data

UL Listed Models and Ratings				
Models	Operating Voltage (Special Application) [Per UL 464] (VDC/VRMS)	Maximum RMS Current (Chime Only)	dBA at 10 Feet Reverberant	
		Max	Min	Max
	CH*	16-33.0	0.022	52
CH-CW	16-33.0	0.022	52	58

\* Available in red and white

**Note:** These notification appliances are UL Listed as "Special Application," and are intended to be used only with Siemens notification-appliance circuits.

**NOTES:**

1. The chime must be set at maximum volume for Private Mode Fire Protective Service per UL 464 listing requirements.
2. The chime produces a brief inrush current of 0.100 Amps with filtered DC input [0.140 Amps with full-wave-rectified (VRMS) input] with a duration of 100 milliseconds.

UL Listed Models and Ratings					
Model	Operating Voltage (Special Application) [Per UL 1971] (VDC/VRMS)	Maximum RMS Current (Chime Only)	dBA at 10 Feet Reverberant		Candela (Wall Mount)
		Max	Min	Max	
	CH-MC*	16.0-33.0	0.024	52	58

\* Available in red and white

**NOTES:**

1. The strobe will produce 1 flash per second over the Input Voltage range.
2. The strobes meet the required light distribution patterns defined in UL 1971.
3. The chime must be set at maximum volume for Private Mode Fire Protective Service per UL 464 listing requirements.
4. The chime produces a brief inrush current of 0.100 Amps with filtered DC input [0.140 Amps with full-wave-rectified (VRMS) input] with a duration of 100 milliseconds.



**WARNING: CANDELA SETTING WILL DETERMINE THE CURRENT DRAW OF THE PRODUCT**

UL Strobe Current Ratings Only Maximum RMS Current (Amps)					
Voltage		15cd	30cd	75cd	110cd
DC	16-33VDC	0.064	0.098	0.175	0.233
FWR	16-33VRMS	0.108	0.164	0.268	0.368

## Details for Ordering – (Including Mounting Options & Agency Approvals)

### Agency Approvals

Model Number	Part Number	Description	Mounting Options*	UL	ULC	FM	CSFM
CH-MC-R	500-636017	Chime: Multi Candela, Red	P,Q,R,U,Y	X	X	X	X
CH-MC-W	500-636018	Chime: Multi Candela, White	P,Q,R,U,Y	X	X	X	X
CH-MC-CR	500-636021	Chime: Multi Candela, Ceiling / Red	Q,U	X	X	X	X
CH-MC-CW	500-636022	Chime: Multi Candela, Ceiling / White	Q,U	X	X	X	X
CH-HMC-CW	500-636023	Chime: Hi Multi Candela, Ceiling / White	Q,U	X	X	X	X
CH-R	500-636019	Chime: Red	P,Q,R,U,Y	X	X	X	X
CH-W	500-636020	Chime: White	P,Q,R,U,Y	X	X	X	X
CH-CW	500-636024	Chime: Ceiling / White	Q,U	X	X	X	X

X = listed / approved

\*= Refer to catalog sheet #: 2585 for detailed mounting options

**Notice:** This marketing catalog sheet is not intended to be used for system design or installation purposes. For the most up-to-date information, refer to each product's installation instructions.