

Features

Xenon flashtube visible notification appliance (strobe):

- Models are available with 15, 30, or 110 candela
- 24 VDC operation with switch selection for free-run or synchronized flash rate, also compatible with SmartSync strobe operation
- Compatible with ADA requirements (refer to important installation information on page 3)
- Strobe candela rating is clearly indicated on reflector
- Diode polarized input for connection to reverse polarity, supervised Notification Appliance Circuit (NAC)
- Rugged, high impact, flame retardant thermoplastic housing
- UL listed to Standard 1971

Synchronized flash rate mode for use with:

- Simplex® fire alarm control panel NACs that provide strobe synchronization or SmartSync notification appliance two-wire control
- Separate Synchronization modules for Class B or Class A operation
- SmartSync Control Module 4905-9938

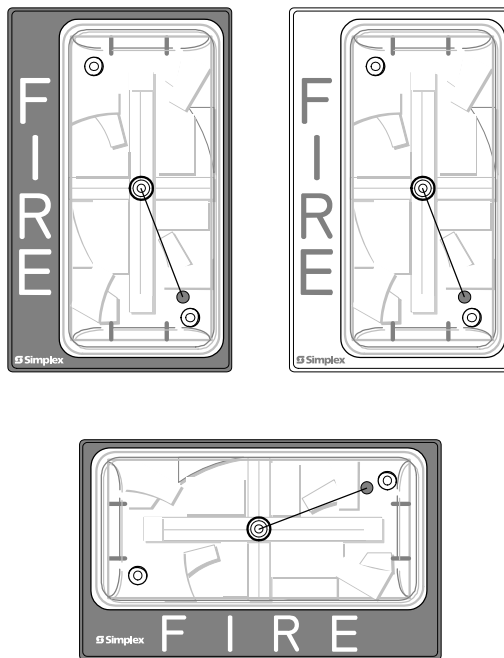
Housing options:

- Red with white “FIRE” lettering for vertical or horizontal wall mount
- White with red “FIRE” lettering for vertical wall mount
- Red wire guard is available*

Description

Simplex 4904 Series wall mount visible notification appliances provide symmetrical light output in key axis directions by utilizing a compound, multi-surface reflector. The lens assembly fits securely into its housing, providing a high integrity notification appliance that is impact and vandal resistant and suitable for a variety of applications.

* Refer to page 2 for guard listing. This product has been approved by the California State Fire Marshal (CSFM) pursuant to Section 13144.1 of the California Health and Safety Code. See CSFM Listing 7125-0026.248 for allowable values and/or conditions concerning material presented in this document. Accepted for use – City of New York Department of Buildings – MEA35-93E. This product was not ULC listed or FM approved as of document revision date. Additional listings may be applicable, contact Simplex for the latest status. Listings and approvals under Simplex Time Recorder Co. are the property of Tyco Fire Protection Products.



Wall Mount Strobes are Available in Red or White for Vertical Mounting and in Red for Horizontal Mounting

Synchronized Strobes

When multiple strobes and their reflections can be seen from one location, synchronized flashes reduce the probability of photo-sensitive reactions as well as the annoyance and possible distraction of random flashing. If synch output NACs are not available, two-wire circuit Flash Synchronization Modules can be used to control synchronized flash strobes. (Refer to data sheet S4905-0003 for additional details.) Free-run model strobes will flash in a free-run mode when connected to a synchronized NAC.

Strobe Selection

Proper selection of wall mount visible notification appliances is dependent on occupancy, location, local codes, and proper applications of: the *National Fire Alarm Code* (NFPA 72), ANSI A117.1, the appropriate model building code, BOCA, ICBO, or SBCCI, and the application guidelines of the Americans with Disabilities Act (ADA).

SmartSync Control Reference

SmartSync operation mode allows a two-wire circuit to provide the ability to activate both the horn and strobe on the same NAC and then allow the horn to be silenced while the strobe remains flashing. The horn operates as “on-until-silenced” while the strobe operation is “on-until-reset.”

SmartSync Control Sources

SmartSync two-wire control is available from:

- 4006, 4007ES Hybrid, 4008, 4010, 4010ES, 4100ES, and 4100U Fire Alarm Control Panels (refer to individual product data sheets for more information)
- 4009 IDNet NAC Extenders (refer to data sheet S4009-0002)
- SmartSync Control Module (SCM) Model 4905-9938 (refer to data sheet S4905-0003)

Product Selection

Wall Mount Visible Notification Appliances (Strobes)

Model	Strobe Output Rating			Color	Mounting Style
	15 cd	30 cd	110 cd		
4904-9176	✓			Red with white “FIRE” lettering	Vertical wall mount
4904-9174		✓			
4904-9175			✓		
4904-9177	✓			White with red “FIRE” lettering	
4904-9178	✓			Red with white “FIRE” lettering	Horizontal wall mount

Adapter

Model	Description	Dimensions
4905-9910	Surface mount adapter plate, zinc plated; see illustration on page 4	4-7/8" x 3-1/8" (124 mm x 79 mm)

Synchronization Modules (refer to data sheet S4905-0003 for additional details)

Model	Description		Dimensions
4905-9914	Synchronized Flash Module, Class B operation	Epoxy encapsulated with in/out 18 AWG (0.82 mm ²) wire leads, rated for 2 A NAC; requires 5 mA for power	1-3/8" x 2-7/16" x 13/16" (35 mm x 62 mm x 20 mm)
4905-9922	Synchronized Flash Module, Class A operation		
4905-9938	SmartSync Control Module, Class A or Class B, installs in 4" square box		4" x 4-1/8" x 1-1/4" D (102 mm x 105 mm x 32 mm)

Wire Guard (see illustration on page 4)

Model	Description	Dimensions
4905-9926	Red Wire Guard (UL listed by Space Age Electronics Inc.)	6-1/8" x 4-3/8" x 2-7/8" deep (156 mm x 111 mm x 73 mm)

Specifications

General Specifications

Rated Voltage Range	Regulated 24 VDC; see Note 1 below
Housing Dimensions (including lens)	4-3/4" x 2-5/16" x 2-5/8" D (121 mm x 75 mm x 67 mm)
Temperature Range	32° to 122° F (0° to 50° C)
Humidity Range	10% to 93%, non-condensing at 100° F (38° C)
Connections	Terminal blocks for 18 AWG to 12 AWG (0.82 mm ² to 3.31 mm ²); two wires per terminal for in/out wiring

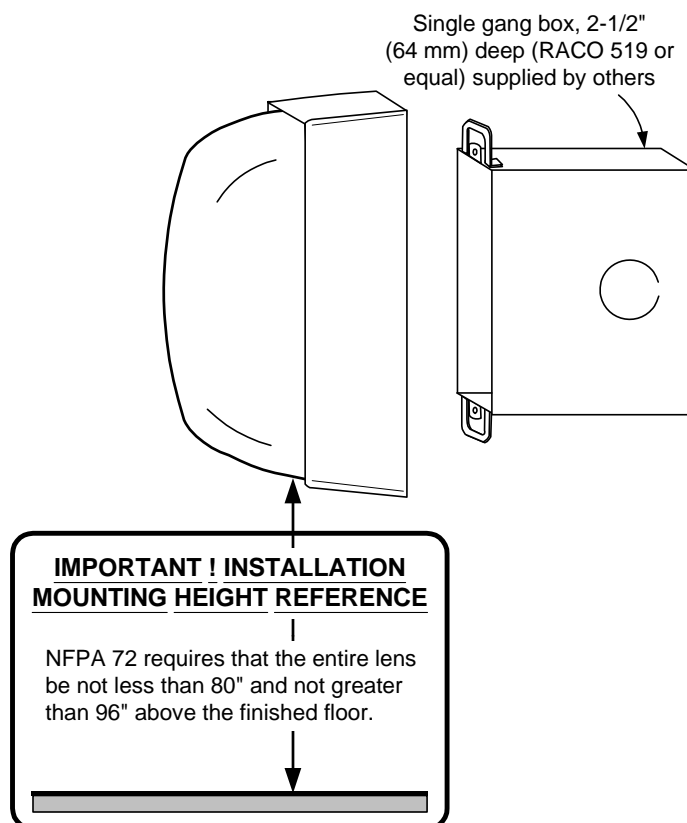
Strobe Specifications

Flash Rate and Synchronized NAC Loading	1 Hz; with up to 35 synchronized strobes maximum per NAC			
Maximum RMS Current Rating per Strobe Output (see Note 2 below)		15 cd	30 cd	110 cd
		90 mA	128 mA	285 mA
Reference Currents at other voltages	18 VDC	80 mA	114 mA	253 mA
	24 VDC	60 mA	85 mA	190 mA

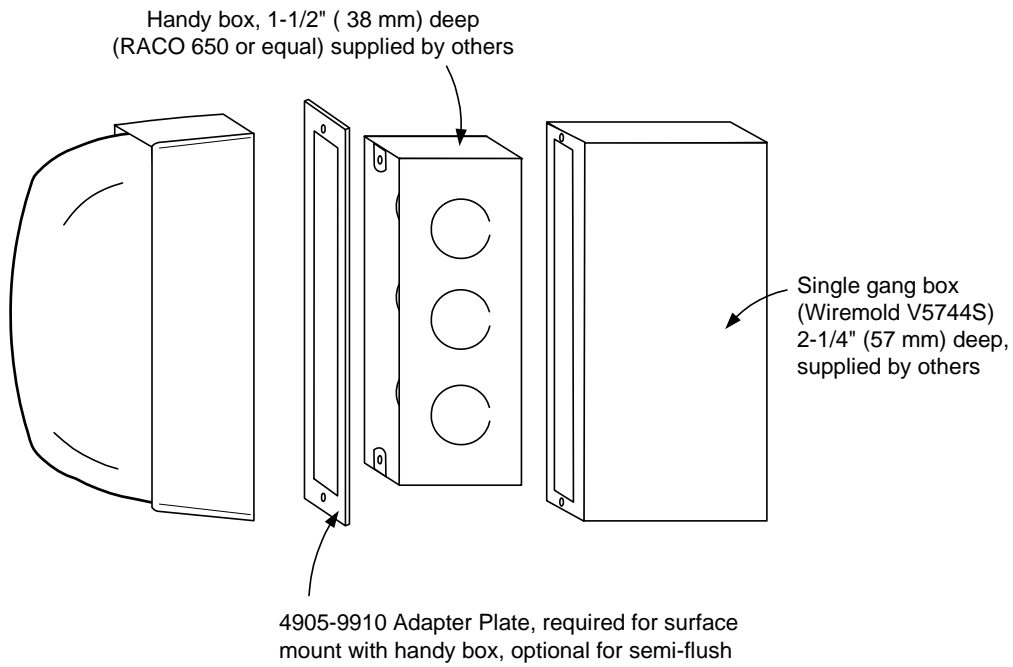
NOTES:

1. "Regulated 24 VDC" refers to the voltage range of 16 to 33 VDC per UL Standard 1971, Signaling Devices for the Hearing Impaired. This voltage range is the absolute operating range. Operation outside of this range may cause permanent damage to the appliance. Please note that 16 VDC is the lowest operating voltage that is allowed at the last appliance on the NAC under worst case conditions.
2. The maximum RMS current listed is the device nameplate rating. Strobe designs are constant wattage and the maximum RMS current rating occurs at the lowest allowable operating voltage. (RMS is root mean square and refers to the effective value of a varying current waveform.)

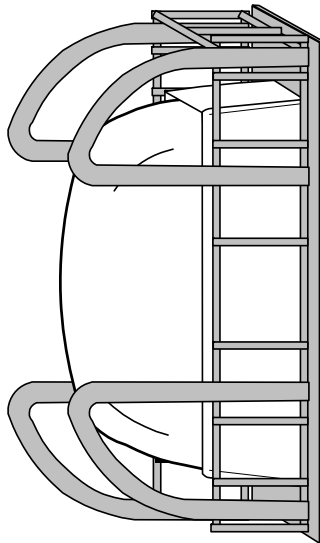
Semi-Flush Installation, Vertical Shown, Rotate for Horizontal Mount Models



Surface Mounting Reference, Vertical Shown, Rotate for Horizontal Mount Models



Optional 4905-9926 Guard, Rotate for Horizontal Mount Models



TYCO, SIMPLEX, and the product names listed in this material are marks and/or registered marks. Unauthorized use is strictly prohibited. NFPA 72 and National Fire Alarm and Signaling Code are registered trademarks of the National Fire Protection Association (NFPA).