

Features

Replace existing Simplex® 2120, 2001, or 4100 Series fire alarm control unit (FACU) equipment with 4100ES Series products using the existing backbox:

- Retrofit kits include either a solid or glass-fronted metal door, retainer panels for glass door applications, and box extension hardware.
- Kits are available for one, two, or three bay 4100ES equipment.
- Colors are available to coordinate with existing beige, red, or black boxes, or to convert to red or beige.

Note: Beige retrofit kits are a slightly different color from that of the existing beige boxes. Red and black are similar, but may not exactly match the existing box. Consider painting the exposed existing box if color coordination is a concern.

With the retrofit kits in place, standard 4100ES equipment can be easily installed:

- Existing 2120 or 4100 6 3/4 in. depth cabinets accommodate internal battery mounting up to 33 Ah (ref. battery 2081-9276); 50 Ah or higher battery sizes require external cabinets.
- Existing 2120 or 2001 6 1/2 in. depth cabinets:
 - One bay cabinets accommodate up to 18 Ah batteries (reference 2081-9275)
 - Two or three bay cabinets accommodate up to 33 Ah batteries (reference 2081-9276); larger battery sizes require external battery cabinets.
- Established 4100ES module placement rules apply.

Compatible existing backboxes include:

- Solid or louvered boxes in two unit, four unit, or six unit sizes (also known as No. 2, No. 4, or No. 6 boxes)
- Shallow boxes that are 6 1/2 in. deep, used for 2001 Series equipment and early 2120 Series equipment
- Deep boxes that are 6 3/4 in. deep, used for 4100 Series and for later versions of 2120 Series equipment

UL Listed to Standard 864

Description

4100ES Design Reference: When the 4100ES Series of Simplex FACU products was developed, the cabinet dimensions were optimized to accept newer generations of equipment design. 4100ES cabinets are narrower, taller, and deeper than those of the 2120, 2001, and 4100 Series products.

Retrofitting: When existing FACUs require capacity or performance increases, it is an opportunity to consider new product solutions. When updating existing Simplex 2120, 2001 and 4100 Series equipment to 4100ES equipment, these retrofit kits allow the update to use the existing backboxes. Retaining the existing boxes allows mechanical and electrical impact to be reduced, often significantly.

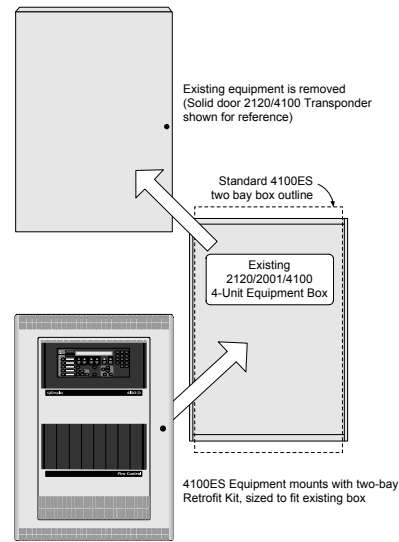


Figure 1: Typical application: Four unit 2120 backbox retrofitted with two bay 4100ES

Typical Applications: Examples for these retrofit kits include backboxes installed on surfaces that would be costly to modify, for example marble, plaster, or concrete, or where installed into a custom enclosure. Whether surface mounted or semi-flush mounted, these retrofit kits can expedite the equipment retrofit process.

Other Applications: Compatible boxes may be available for retrofit from other applications, such as some 2100 Series Multiplex equipment. To determine whether an existing box is compatible with these retrofit kits, see [Existing backbox size identification](#).

Bay Size Reference: 4100ES FACU equipment typically mounts in new two or three bay 4100ES boxes. Some 4100ES equipment combinations are available for mounting in a single bay size. Retrofit kits are available to convert the 2120, 2001 and 4100 two unit or No. 2 boxes to accommodate 4100ES single bay equipment.

Equipment Selection Reminder: Proper retrofitting of existing equipment requires that the desired fire alarm functions be understood in order to specify the necessary 4100ES equipment.

2120 and 4100ES Equipment compatibility

2120 BMUX: The Head-End of a 2120 Multiplex System is called the BMUX. It communicates with a variety of 2120 compatible transponders that perform the majority of the fire alarm functions. 4100ES equipment can be equipped with a dual RS-232 Module (4100-9038) that is programmable for one channel to communicate to a 2120 BMUX as a 2120 Transponder.

Compatible 4100ES Equipment: Communications with a 2120 BMUX is available with 4100ES Series: FACUs, MINIPLEX Transponders, and Network Display Units (NDUs).

4100ES as Head-End: You need to replace or upgrade existing equipment to be 4100ES compatible for applications where the 4100ES FACU is required to become the Head-End control.

*This product has been approved by the California State Fire Marshal (CSFM) pursuant to Section 13144.1 of the California Health and Safety Code. See CSFM Listing 7165-0026:251 for allowable values and/or conditions concerning material presented in this document. It is subject to re-examination, revision, and possible cancellation. This product was not approved by MEA (NYC) as of document revision date. Additional listings may be applicable; contact your local Simplex product supplier for the latest status. Listings and approvals under Simplex Time Recorder Co. are the property of Tyco Safety Products Westminster.

Existing backbox size identification

Size designation	Box height	Box width	Shallow box depth	Deep box depth
Two unit (No. 2)	20 3/4 in. (527 mm)	25 3/4 in. (654 mm)	6 1/2 in. (165 mm)	6 3/4 in. (171 mm)
Four unit (No. 4)	36 1/4 in. (921 mm)			
Six unit (No. 6)	52 1/8 in. (1324 mm)			

See Figure 2 and Figure 3 for additional dimension reference.

Existing backbox identification reference dimension

Shallow box dimensions, typical of 2001 Style and older 2120 Style

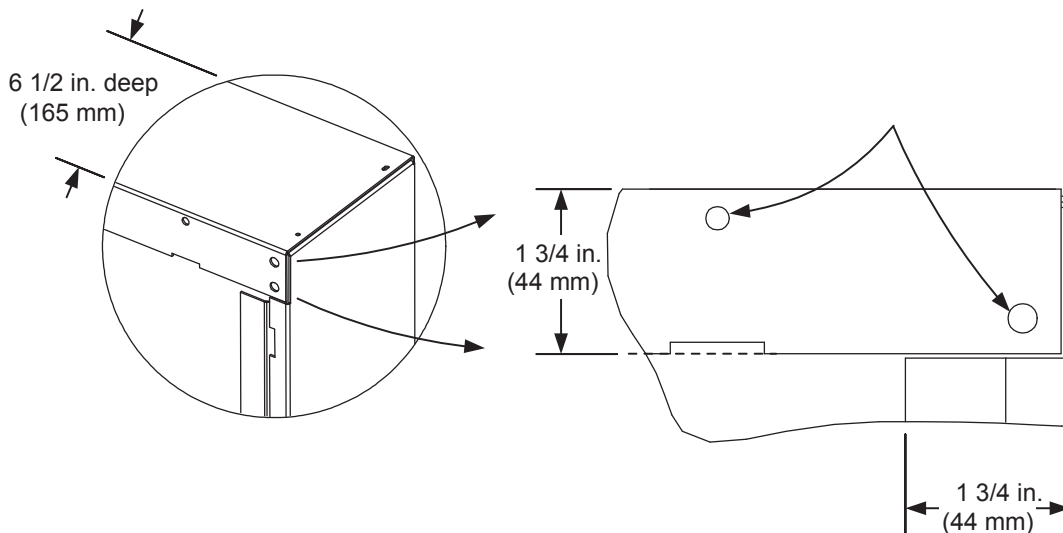


Figure 2: Shallow box dimensions

Note: If the holes indicated are not present at each corner, drilling will be required. For more information, refer to *4100U System Installation to 2120/4100 and 2100/2120 Back Boxes* 579-766.

Deep box dimensions, typical of newer 2120 Style and 4100 Style

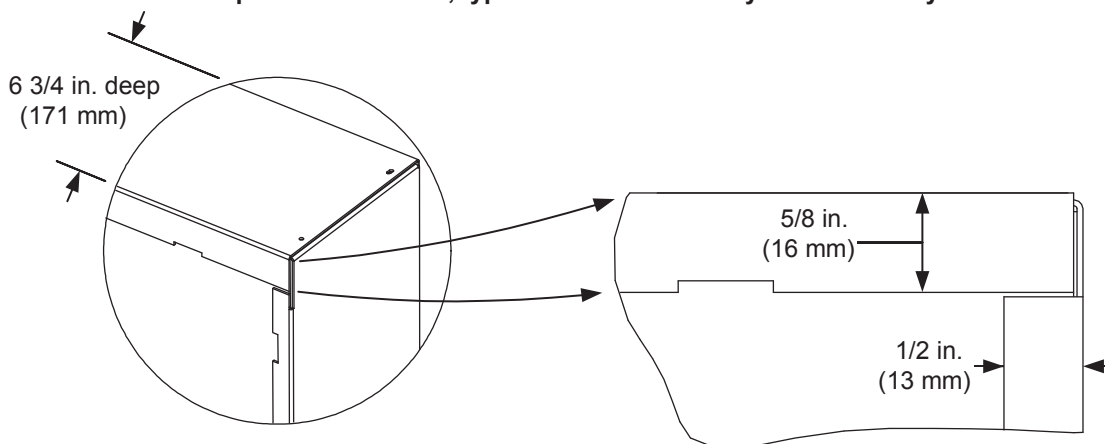


Figure 3: Deep box dimensions

Note: Conditions of the existing enclosure may require enlarging some of the mounting holes to facilitate kit installation.

2120 and 2001 style shallow backbox retrofit kit selection

Kits for existing 2120 or 2001 style boxes with box depth of 6 1/2 in. or 165 mm and with front top lip of 1 3/4 in. or 44 mm.

Retrofit kit information				Existing backbox				
Color	Door	Kit model	4100ES size	Model reference	Product reference	Color	Size*	
Red	Glass	4100-9901	Single bay	2975-9148	2001 Series	Black	Two unit	
				2975-9156	2120 Series	Beige		
		4100-9902	Two bay	2975-9149	2001 Series	Black	Four unit	
				2975-9152	2001 Series, louvered	Beige		
				2975-9163	2120 Series			
				2975-9167	2120 Series, louvered			
	4100-9903	Three bay	2975-9150	2001 Series	Black	Six unit		
			2975-9153	2001 Series, louvered	Beige			
			2975-9165	2120 Series				
Beige	Glass	4100-9904	Single bay	2975-9156	2120 Series	Beige	Two unit	
		4100-9905	Two bay	2975-9163	2120 Series	Beige	Four unit	
				2975-9167	2120 Series, louvered			
	4100-9906	Three bay	2975-9165	2120 Series	Beige	Six unit		
			2975-9168	2120 Series, louvered				
	Black	Glass	4100-9907	Single bay	2975-9148	2001 Series	Black	Two unit
			4100-9908	Two bay	2975-9149	2001 Series	Black	Four unit
					2975-9152	2001 Series, louvered		
	4100-9909	Three bay	2975-9150	2001 Series	Black	Six unit		
2975-9153			2001 Series, louvered					
Red	Solid	4100-9910	Single bay	2975-9148	2001 Series	Black	Two unit	
				2975-9156	2120 Series	Beige		
		4100-9911	Two bay	2975-9149	2001 Series	Black	Four unit	
				2975-9152	2001 Series, louvered	Beige		
				2975-9163	2120 Series			
				2975-9167	2120 Series, louvered			
	4100-9912	Three bay	2975-9150	2001 Series	Black	Six unit		
			2975-9153	2001 Series, louvered	Beige			
			2975-9165	2120 Series				
Beige	Solid	4100-9913	Single bay	2975-9156	2120 Series	Beige	Two unit	
		4100-9914	Two bay	2975-9163	2120 Series	Beige	Four unit	
				2975-9167	2120 Series, louvered			
	4100-9915	Three bay	2975-9165	2120 Series	Beige	Six unit		
			2975-9168	2120 Series, louvered				
	Black	Solid	4100-9916	Single bay	2975-9148	2001 Series	Black	Two unit
			4100-9917	Two bay	2975-9149	2001 Series	Black	Four unit
					2975-9152	2001 Series, louvered		
	4100-9918	Three bay	2975-9150	2001 Series	Black	Six unit		
2975-9153	2001 Series, louvered							

* The terms two unit, four unit, and six unit are used interchangeably with No. 2, No. 4, and No. 6.

Note: For semi-flush trim kits, use 2975-9801, Beige; and 2975-9802, Red.

2120 and 4100 style deep backbox retrofit kit selection

Kits for existing 2120 and 4100 style boxes with box depth of 6 3/4 in. or 171 mm and with front top lip of 5/8 in. or 16 mm.

Retrofit kit information			Existing backbox			
Kit model	4100ES size	Color and type	Model reference	Size*	Color	Product reference
4100-9919	Two bay	Red with glass door	2975-9193	Four unit	Red	2120 or 4100 Series
4100-9920	Three bay		2975-9195	Six unit		
4100-9921	Two bay	Beige with glass door	2975-9192	Four unit	Beige	
4100-9922	Three bay		2975-9194	Six unit		
4100-9923	Two bay	Red with solid door	2975-9193	Four unit	Red	
4100-9924	Three bay		2975-9195	Six unit		
4100-9925	Two bay	Beige with solid door	2975-9192	Four unit	Beige	
4100-9926	Three bay		2975-9194	Six unit		

* The terms two unit, four unit, and six unit are used interchangeably with No. 2, No. 4, and No. 6.

Note: For semi-flush trim kits, use 2975-9801, Beige; and 2975-9802, Red.

Backbox retrofit kit installation reference

For more information, refer to *4100U System Installation to 2120/4100 and 2001/2120 Back Boxes 579-766*.

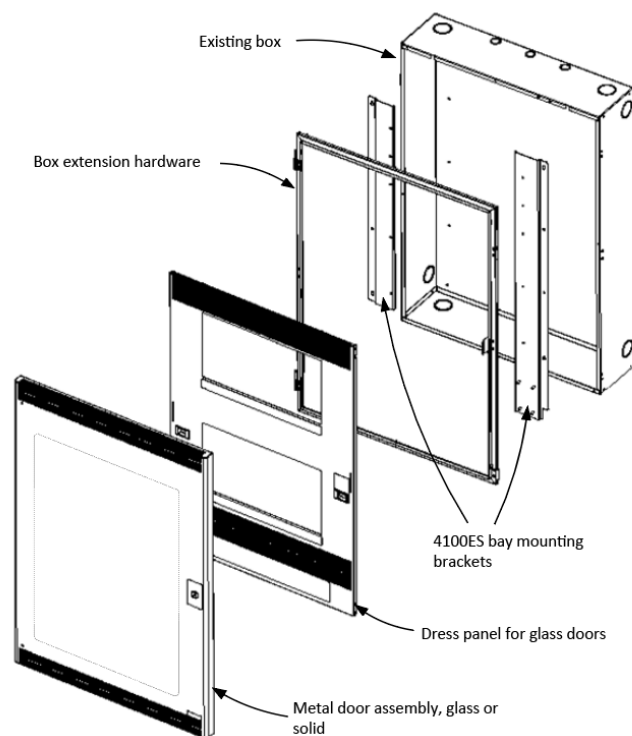


Figure 4: Backbox retrofit kit installation reference