

Kidde Fire Systems

System Component Datasheet



Stackable Electric Control Head Kit with Control Head Monitor and Lever Operated Control Head

Effective: December 2018
K-85-3002 Rev AC

FEATURES

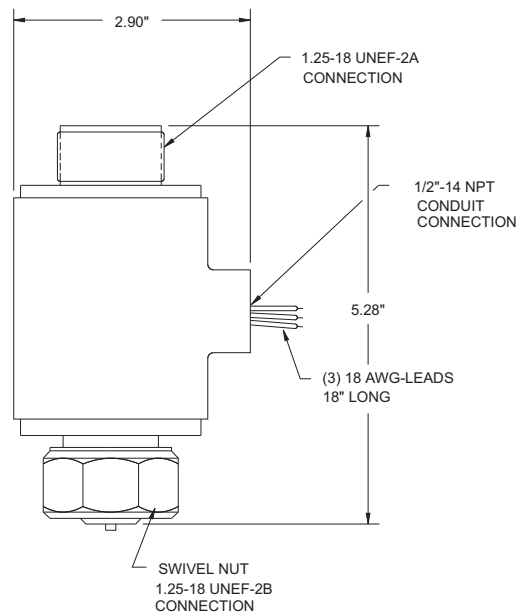
- UL Listed, ULC Listed, and FM Approved for use with systems listed in the Table, "COMPATIBILITY", on page 2.

P/N: 85-486500-010

ORDER INFORMATION

Part Number	Description
85-486500-010	Kit, Includes: <ul style="list-style-type: none"> • Electrical Control Head, 24 VDC, Stackable, (Ex. Proof), P/N: 82-486500-010 • Control Head Monitor, P/N 85-100000-100 (for more information, see data sheet K-85-3000) • Lever Operated Control Head, P/N WK-870652-000 (for more information, see data sheet K-85-6005)

ELECTRIC CONTROL HEAD, PART NO. 486500-01 IS RATED FOR USE IN HAZARDOUS (CLASSIFIED) LOCATIONS CLASS 1, DIV. I, GROUPS C, D AND CLASS II, DIV. II, GROUPS E, F, G BETWEEN -40F AND 140F. USE CONDUIT SEAL WITHIN 18 IN. (45cm) OF THIS DEVICE.



Note: This control head is polarized. Improper wiring will result in failure of this device to operate.



Electric control head, P/N: 82-486500-010, is designed for installation directly on 487 Series Halon and Kidde® ECS agent valves only to a maximum size of 350 lbs. This control head must not be installed on any other type of halon or agent cylinder valve, nitrogen valve, carbon dioxide cylinder valve, FE-13™ cylinder valve or Stop (Directional) valve. Installation of this control head to any other device (e.g., pressure operated control head) will result in failure of device to operate.

MATERIAL

Body: Brass

SPECIFICATIONS

Voltage: 24 VDC

Current: 0.2A Continuous Draw

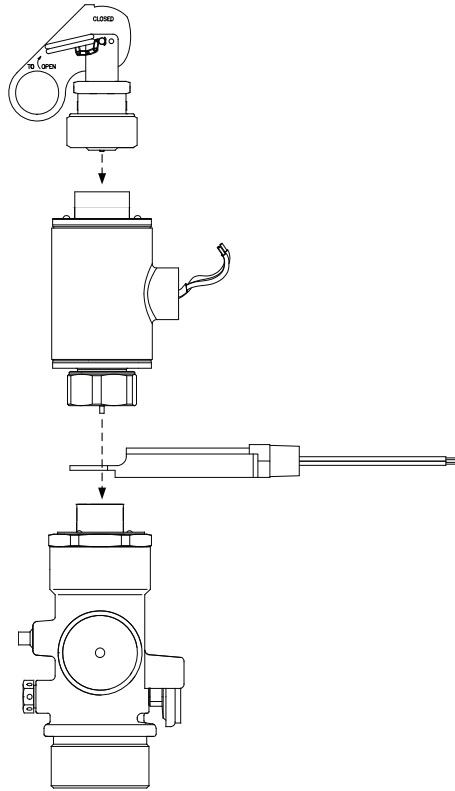


Figure 1. Electric Control Head (Stackable Type) with Lever Operated Control Head and Control Head Monitor

COMPATIBILITY

Series	DIOM P/N	Supplement P/N
Kidde® ECS-500™ System*	06-237585-001	N/A
Kidde® ECS™ with 3M™ Novec™ 1230 Fire Protection Fluid*	06-236553-001	N/A
Kidde® ECS™ 360 with HFC-227ea Agent*	06-236115-001	06-236115-003
Kidde® Modular ECS™ 360 with HFC-227ea Agent*	06-236116-001	06-236116-002
*For Cylinders up to 350 lbs. maximum		
Note: Agency listings also apply to the Fenwal Engineered Fire Suppression Systems, when the Control Head Monitor is used on these legacy product lines.		

EXPORT INFORMATION (USA)

Jurisdiction: EAR

Classification: EAR99

This document contains technical data subject to the EAR.

KIDDE is a registered trademark of Kidde-Fenwal, Inc., or its parents, subsidiaries or affiliates.

This literature is provided for informational purposes only. KIDDE-FENWAL, INC. believes this data to be accurate, but it is published and presented without any guarantee or warranty whatsoever. KIDDE-FENWAL, INC. assumes no responsibility for the product's suitability for a particular application. Product features specified are only applicable when the fire suppression system is correctly designed, installed, maintained and serviced by trained, authorized Kidde Fire Systems distributors as per the applicable design, installation, operation, and maintenance manuals. If you need more information on this product, or if you have a particular problem or question, contact: KIDDE-FENWAL, INC., Ashland, MA 01721 USA, Telephone: (508) 881-2000.