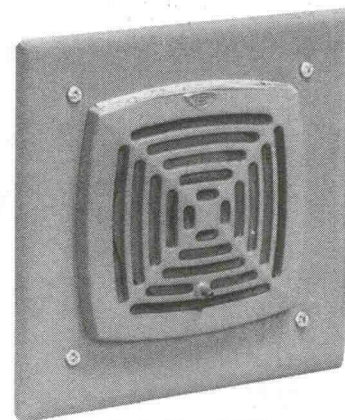


Edwards® 871 Series AdaptaHorn® Indoor Flush Mount DC Vibrating Horn

PLC Compatible*



Cat. No. 871

Features

- PLC compatible
- Corrosion resistant finish
- Volume adjustable
- Completely assembled

Description

The Edwards 871 Series is a low-current, high decibel flush mount vibrating horn for heavy-duty use. It has been designed for wall or panel installation and projects less than 1" (25mm) from the mounting surface. Supplied complete with trim plate.

Agency Approvals

- UL Listed

Specifications

- Adjustable output: 78 to 101 dB
- 200 hour rating
- Operating range: -20% to +10% of nominal voltage
- Heavy duty die-cast housing

Installation

Designed for indoor installation. Horn mounts in Catalog No. 870-B back box (ordered separately).

Applications

Applications include ceiling and wall mounting in corridors and manufacturing sites. Also, ideal for scoreboards. Used wherever a distinctive, urgent signal is required for timing, scheduling, paging, general alarm, and warning.

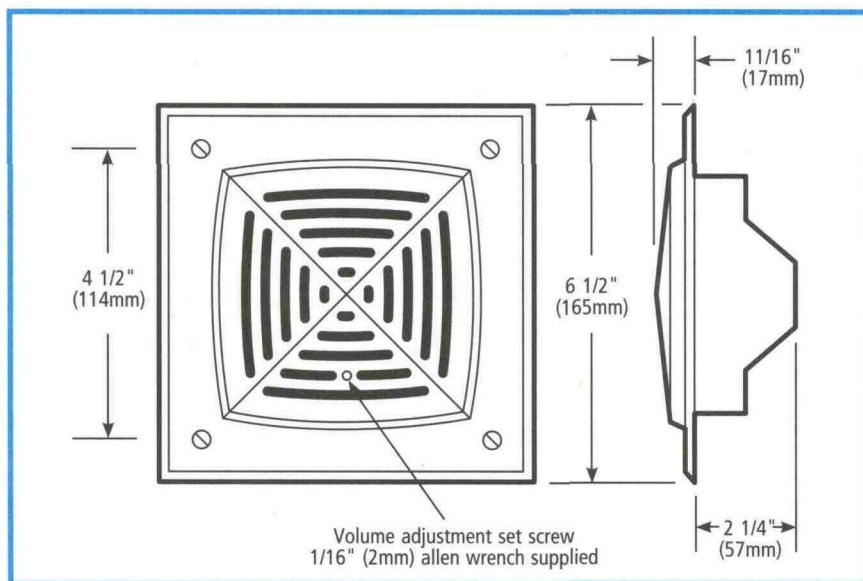
*PLC COMPATIBILITY

This device may be operated by PLCs that match the input load requirements of this signal. Be sure to match the input load characteristics of the signal with the output characteristics of the PLC before connecting.

Electromechanical horns such as this one can produce transient spikes and should only be used on PLC output cards that have inherent transient spike suppression. The Process Control Engineer should consult the PLC manufacturer when connecting 24V DC electromechanical devices to PLCs.

Signal Input Load Characteristics

Cat. No.	Operating voltage Volts	Max. off state leakage current mA	Continuous on current mA	Surge (inrush/duration) Amps/milliseconds
871-G1	24V DC	25	150	1.7/.000042

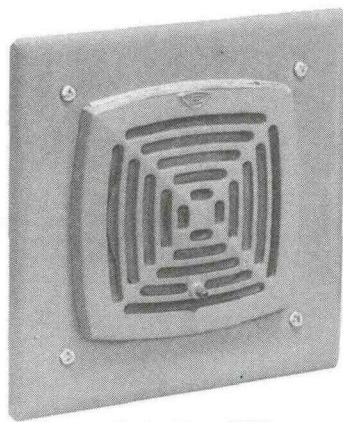


Ordering and Technical Data

Cat. No.	Volts	Amps	V A	DC coil Res. (Ohms)	dB at 10 Ft.
871-E1	12V DC	.27	3.2	6.0	
871-G1	24V DC	.16	3.8	24	101
871-K1	48V DC	.07	3.4	96	
871-P1	125V DC	.025	3.1	600	
871-S1	250V DC	.014	3.5	2640	

Edwards® 870 Series AdaptaHorn® Indoor Flush Mount AC Vibrating Horn

PLC Compatible*



Cat. No. 870

Features

- PLC compatible
- Corrosion resistant finish
- Volume adjustable
- Completely assembled

Description

The Edwards 870 Series is a low-current, high decibel flush mount vibrating horn for heavy-duty use. It has been designed for wall or panel installation and projects less than 1" (25mm) from the mounting surface. Supplied complete with trim plate.

Agency Approvals

- UL Listed 50/60 Hz
- FM Approved

Specifications

- Adjustable output: 78 to 103 dB
- 400 hour rating at 50% duty cycle
- Operating range: -20% to +10% of nominal voltage
- Heavy duty die-cast housing

Installation

Designed for indoor installation. Horn mounts in Catalog No. 870-B back box (ordered separately).

Applications

Applications include ceiling and wall mounting in corridors and manufacturing sites. Also, ideal for scoreboards. Used wherever a distinctive, urgent signal is required for timing, scheduling, paging, general alarm, and warning.

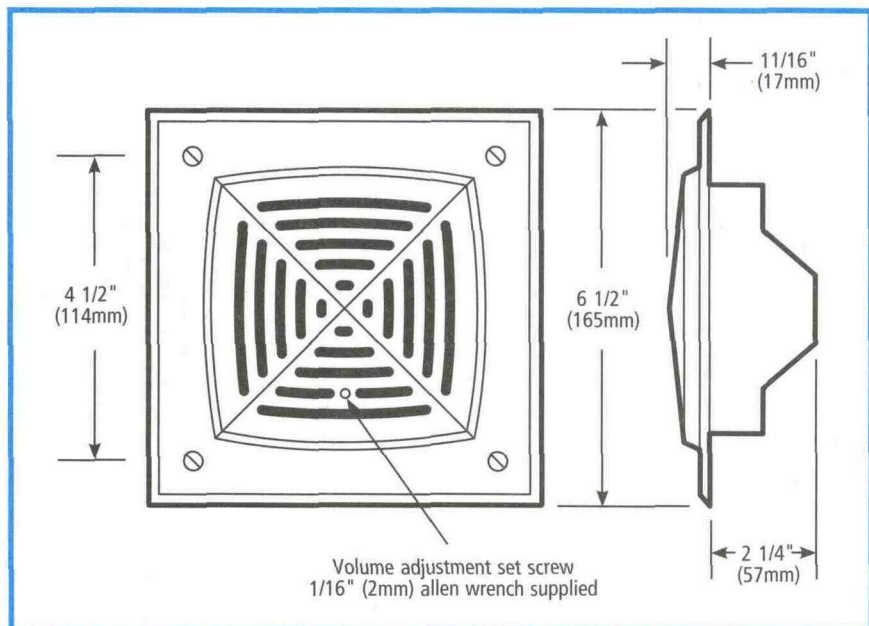
*PLC COMPATIBILITY

This device may be operated by PLCs that match the input load requirements of this signal. Be sure to match the input load characteristics of the signal with the output characteristics of the PLC before connecting.

Signal Input Load Characteristics

Cat. No.	Operating voltage Volts*	Max. off state leakage current mA	Continuous on current mA	Surge (inrush/duration) A/mSeconds**
870-N5	120V AC	25	120	1.02/0.00026

* All AC volts at 60 Hz ** Amps/milliseconds



Ordering and Technical Data

Cat. No.	Volts	Amps	V A	DC coil Res. (Ohms)	dB at 10 Ft.
870-G5	24V AC	.63	15.1	5.2	
870-N5	120V AC	.13	15.6	150	103
870-R5	240V AC	.07	16.8	580	

- Horns & Sirens
- Message Centers & Annunciators
- Outdoor Warning Signals
- Electric Chimes
- Push Buttons Contactors Door Devices
- Transformers
- Fire Alarm Equipment
- Clocks
- ADA/Hospital Signaling Devices
- Telephone Signals & Accessories
- Appendix