

AST-4-K



AST-4-K EXPLOSION-PROOF STROBE WARNING LIGHT FACTORY SEALED, DUST-IGNITION-PROOF

COMPLIANCES:

Class I - Div. 1 and 2, Groups C,D
Class II - Div. 1 and 2, Groups E,F,G
Class III - ENCL 4X, Temp Code T6

APPLICATIONS:

- Specifically designed for explosion-proof atmospheres and/or corrosive environments
- to warn of personal hazards such as, high noise levels or hard hat areas on oil rigs, mines, refineries and chemical plants
- indicator of operating conditions or malfunctions on remote equipment
- marine applications include helicopter landing pad lights and navigation beacons in classified areas
- globe down mounting only

FEATURES:

- solid state power supply
- low power consumption (12 watts)
- intensity 2,000,000 candlepower (peak)
- 3/4 inch pendant mount standard
- clear impact and heat resistant prismatic glass globe with inner lens
- copper-free cast aluminum housing with a powder epoxy finish for superior corrosion resistance
- flash rate - 60 flashes/minute - alternate flash rate available
- weatherproof

New - 50°C starting and operating temperature

Note: Performance tested to start and operate at - 50°C



Visual Signal Appliance, Fire Alarm for
Use in Hazardous Locations

LISTED
15UD

15 - 30 VDC input - 4 wire Clear Lens Only
21 - 30 VDC Sync Input - 4 wire Clear Lens Only



Made in Canada



 **Applied Strobe Technology Company Limited**
INDUSTRIAL STROBE WARNING LIGHTS

8345 Stanley Avenue, Niagara Falls, Ontario, Canada L2G 0C8 905-374-3077, Fax 905-374-6114

e-mail: sales@appliedstrobe.com www.appliedstrobe.com

Operating Temperature Range

-40 C to +85 C (AST-4-K-S)

-50 C to +85 C (AST-4-K-L)

Electrical Ratings

Supply Voltage Range	Frequency	Current Range (avg)	Inrush Current (max)
90 to 130 VAC	50/60Hz	.118 A to .090 A	.250 A
220 to 250 VAC	50/60Hz	.072 A to .055 A	.220 A
10 to 30 VDC	-	.8 A to .4 A	1.30 A
50 to 60 VDC	-	.360 A to .300 A	.820 A
90 to 130VDC	-	.175A to .090 A	.250 A
220 to 250VDC	-	.070A to .055 A	.220 A
15 to 30 VDC	-	.8 A to .4 A	1.30 A
21 to 30 VDC	-	.5 A	1.30 A

Net Weight: 10.4 lbs (with PM -75)

Ordering Information

Model No	Input Voltage
AST-4-K- * -90-130-AC	90 - 130 VAC
AST-4-K- * -220-250-AC	220 - 250 VAC
AST-4-K- * -10-30-DC	10 - 30 VDC
AST-4-K- * -90-130-DC	90 - 130 VDC
AST-4-K- * -220-250-DC	220 - 250 VDC
AST-4-K- * -50-60-DC	50 - 60 VDC
AST-4-K-L -15-30-DC	15 - 30 VDC
AST-4-K-Sync -21-30-DC	21 - 30 VDC

NOTE: * - **S** for standard temperature range and - **L** for low temperature range

Lens Colors

AM	- Amber Lens
BL	- Blue Lens
RE	- Red Lens
GR	- Green Lens
CL	- Clear Lens
PU	- Purple Lens

Mounting Options

Pendant One Hub	PM-75 3/4 HUB
Ceiling Four Hubs and three close -up plugs	CM-75 3/4 HUB
Wall Bracket Four Hubs and three close -up plugs	WBM-75 3/4 HUB
25 Stanchion Mount	SBM -1.25 1.25 HUB

Guard

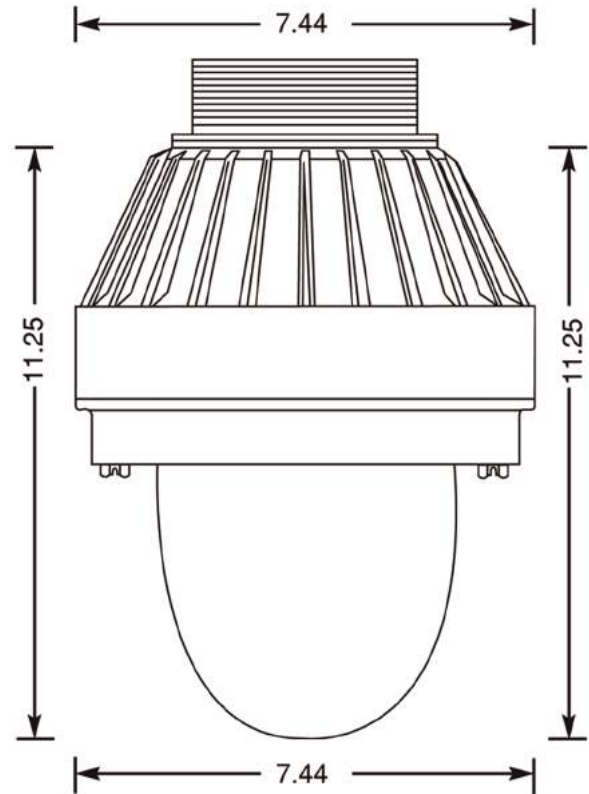
CG -Cast Guard

Ordering Example

AST-4-K-S-10-30-DC-RE-PM-75-CG

ULC Approved

AST-4-K-L-15-30-DC-CL-PM-75-ULC
AST-4-K-Sync-21-30-DC-CL-PM-75



Replacement Parts

Circuit Board

AST-4-K-* -90-130-AC - Board	90 - 130 VAC	Circuit Board
AST-4-K-* -220-250-AC -Board	220 - 250 VAC	Circuit Board
AST-4-K-* -10-30-DC -Board	10 - 30 VDC	Circuit Board
AST-4-K-* -90-130-DC -Board	90 - 130 VDC	Circuit Board
AST-4-K-* -220-250-DC -Board	220 - 250 VDC	Circuit Board
AST-4-K-* -50-60-DC -Board	50 - 60 VDC	Circuit Board
AST-4-K-L-15-30-DC -Board -ULC	15 - 30 VDC	Circuit Board
AST-4-K-Sync-21-30-DC -Board	21 - 30 VDC	Circuit Board

NOTE: * - **S** for standard temperature range and - **L** for low temperature range

Flash Tube

AST-FT 3050 Flash Tube

Lenses

AST-4-K-Lens-RE	Red Lens
AST-4-K-Lens-AM	Amber Lens
AST-4-K-Lens-BL	Blue Lens
AST-4-K-Lens-GR	Green Lens
AST-4-K-Lens-CL	Clear Lens
AST-4-K-Lens-PU	Purple Lens

EXPLOSION PROOF STROBE