



► Models FB2PST and FB2PST-I

## Fireball® Strobe Lights



Models FB2PST and FB2PST-I Fireball® strobe warning lights gain attention in high-ambient environments by producing 80 high-intensity flashes per minute. Available in five colors and 24VDC or 120-240VAC, Models FB2PST and FB2PST-I feature a zinc die-cast alloy base and come standard with an integrated 1/2-inch NPT pipe and 3 surface mount holes.

The 24VDC Model FB2PST-I features a voltage in-rush limiting PCBA design that provides compatibility with factory automation control systems and offers less electrical interference with in-rush sensitive devices.

The Type 4X, IP66 rated housing is designed to protect against corrosion, vibration, and water- and dust-ingress. The unit is also IP69K compliant to withstand high pressure and temperature washdowns. The unit is ideal in harsh applications where gaining attention is critical including industrial warning, process control, status indication, and food processing.

### FEATURES

- Available in 12-24VDC, 24VDC, 120VAC and 240VAC
- Six lens colors: Amber, Blue, Clear, Green, Magenta and Red
- 10,000 hour strobe tube
- Integrated 1/2-inch NPT pipe and surface mount
- Indoor/outdoor use
- Conformal coated PCBA
- Type 4X, IP66 enclosure
- IP69K compliant
- CSA Certified
- UL and cUL Listed

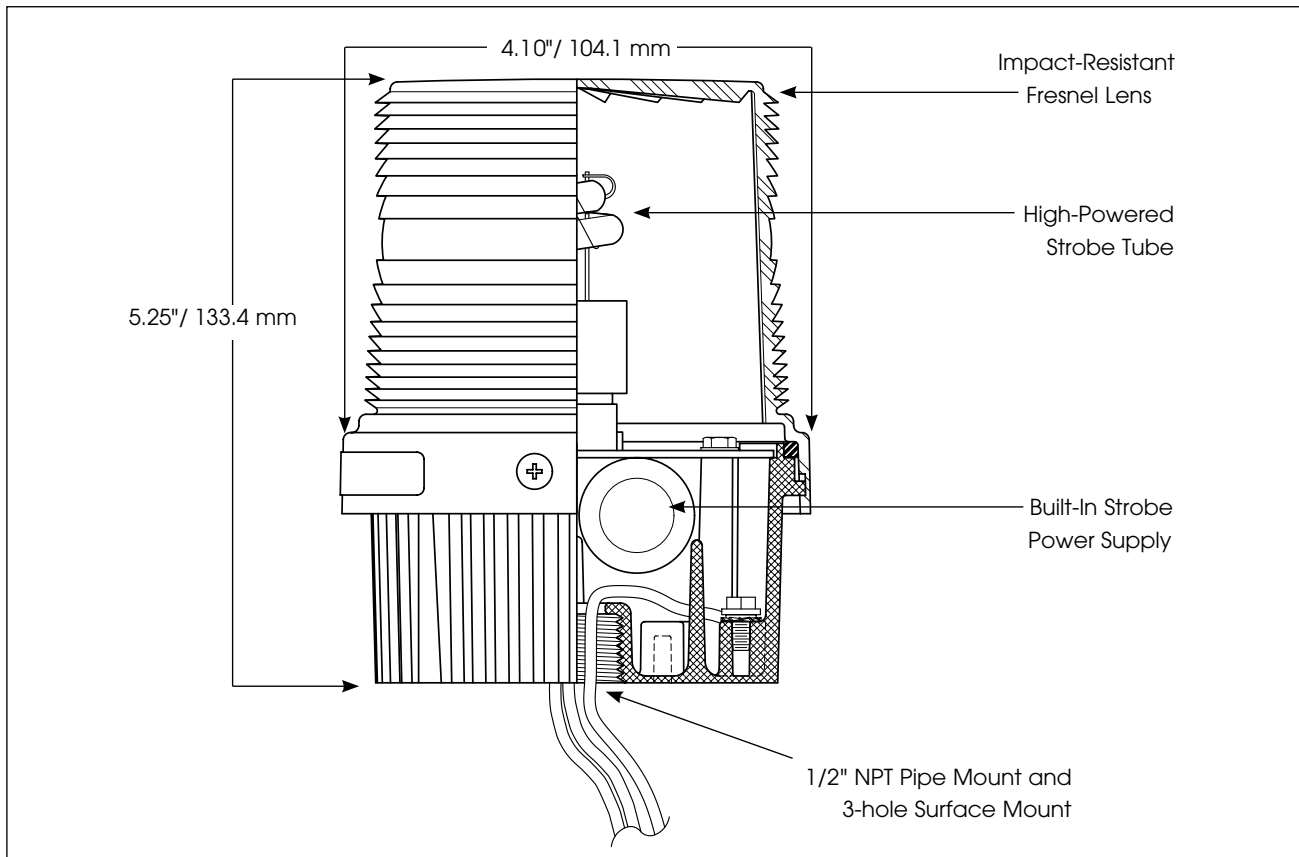
MODEL	VOLTAGE	OPERATING CURRENT	FLASH RATE / MINUTE	LIGHT OUTPUT		MOUNT
				PEAK <sup>1</sup>	ECP <sup>2</sup>	
<b>FB2PST-012-024 *</b>	12-24VDC	1.70-0.70 amps	80	1,000,000 cd	300 cd	1/2" NPT Pipe/Surface
<b>FB2PST-I-024 *</b>	24VDC	0.70 amps (2.0 amp In-rush)	80	1,000,000 cd	300 cd	1/2" NPT Pipe/Surface
<b>FB2PST-120 *</b>	120VAC 50/60Hz	0.25 amps	80	1,000,000 cd	300 cd	1/2" NPT Pipe/Surface
<b>FB2PST- 240 *</b>	240VAC 50/60Hz	0.20 amps	80	1,000,000 cd	300 cd	1/2" NPT Pipe/Surface

\* Indicates color: (A) Amber, (B) Blue, (C) Clear, (G) Green, (M) Magenta or (R) Red

<sup>1</sup> Peak candela is the maximum light intensity generated by a flashing light during its light pulse

<sup>2</sup> ECP (Effective Candela) is the intensity that would appear to an observer if the light were burning steadily

# Fireball® Strobe Lights (FB2PST and FB2PST-I)



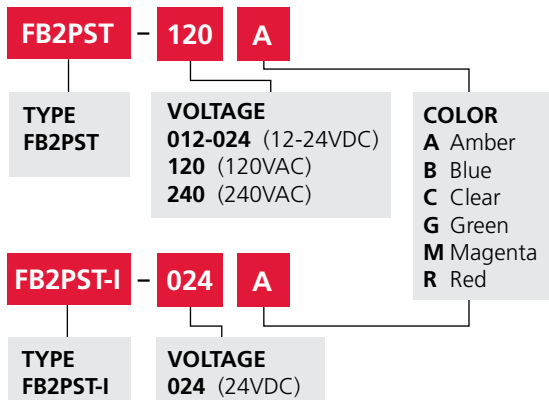
## SPECIFICATIONS

Lamp Life:	10,000 Hours	
Light Source:	Strobe tube	
Operating Temperature:	-31°F to 150°F	-35°C to 66°C
Net Weight:	2.0 lbs	0.91 kg
Shipping Weight:	2.12 lbs	0.96 kg
Height:	5.25"	133.4 mm
Diameter:	4.10"	104.1 mm

## REPLACEMENT PARTS

Description	Part Number
Lens, Amber	K8550320A
Lens, Blue	K8550320A-01
Lens, Clear	K8550320A-02
Lens, Green	K8550320A-03
Lens, Magenta	K8550320A-05
Lens, Red	K8550320A-04
PCB Assembly, 120VAC	K200D866G
PCB Assembly, 240VAC	K200D866G-01
Strobe Tube, Series A4, A5, B, C	K8107177A

## HOW TO ORDER



## OPTIONAL ACCESSORIES

Description	Part Number
Wire Guard	FB2G
Wall Mount Bracket, 4X Rated	LSWB
Corner Mount Bracket, 3R Rated	LCMB2*

\* LCMB2 is 3R Rated. In combination with a 4X unit, the product defaults to 3R.



FB2G