

11

FIRE EXTINGUISHER PARTS

NEXT DAY

adjective

\`nekst `dā\`

Getting what one needs the following day.

11 FIRE EXTINGUISHER PARTS



G100 (FRONT)



G100 (SIDE VIEW)



293266K (FRONT)



293266K (SIDE VIEW)



G100H (FRONT)



G100H (SIDE VIEW)



G100WS (FRONT)



G100WS (SIDE VIEW)



G100K (FRONT)



G100K (SIDE VIEW)

GAUGES

DRY CHEMICAL GAUGES. UL listed.

P/N	DESCRIPTION
G100	100 lb Dry Chemical Gauge
G125	125 lb Dry Chemical Gauge
G150	150 lb Dry Chemical Gauge
G175	175 lb Dry Chemical Gauge
G195	195 lb Dry Chemical Gauge
G235	235 lb Dry Chemical Gauge
G240	240 lb Dry Chemical Gauge
G350	350 lb Dry Chemical Gauge
G360	360 lb Dry Chemical Gauge

DRY CHEMICAL GAUGES. Kidde. UL listed.

P/N	DESCRIPTION
293266K	195 lb Kidde Dry Chemical Gauge
259535K	Kidde Gauge O-Ring, Plastic Valve ♦

DRY CHEMICAL GAUGES. RC Ind. UL listed.

P/N	DESCRIPTION
PG009RC*	195 lb RC Ind. Dry Chemical Gauge
OR7	O-Ring For RC Ind. Gauge

*WHILE QUANTITIES LAST!

CLEAN AGENT GAUGES. UL listed.

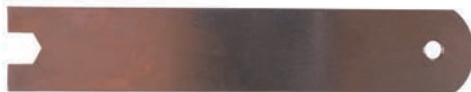
P/N	DESCRIPTION
G100H	100 lb Halon 1211 Gauge
G125H	125 lb Halon 1211 Gauge
G195H	195 lb Halon 1211 Gauge
G100T	100 lb Halotron I Gauge
G125T	125 lb Halotron I Gauge

WATER-BASED EXTINGUISHER GAUGES. UL listed.

P/N	DESCRIPTION
G100WS	100 lb Water, Foam, & Loaded Stream Gauge
G100K	100 lb Wet Chemical Gauge

Designed specifically for removing and attaching most gauges, this cold-rolled, plated steel **GAUGE WRENCH** is $\frac{3}{16}$ " thick.

P/N	DESCRIPTION
GWRENCH	Gauge Wrench



GWRENCH

♦ Item in O-Ring Kit (ORKIT), see page 243.

VALVE STEMS

DRY CHEMICAL VALVE STEMS. Amerex. Pkg/5.

P/N	DESCRIPTION
6092A	Amerex Valve Stems ♦
6093A	Amerex Valve Stems ♦



DRY CHEMICAL VALVE STEMS. Ansul. Pkg/5.

P/N	DESCRIPTION
ASVS4	Valve Stems ♦ Comparable to 24489AS
ASVS5	Valve Stems ♦ Comparable to 54227AS
429099AS	Ansul Sentry Valve Stems ♦
428431AS	Ansul Sentry Valve Stems



DRY CHEMICAL VALVE STEMS. Badger. Pkg/5.

P/N	DESCRIPTION
12426B	Badger Valve Stems ♦
19010B	Badger Valve Stems ♦
23389B	Badger Valve Stems ♦



DRY CHEMICAL VALVE STEMS. Buckeye. Pkg/5.

P/N	DESCRIPTION
103215W	Buckeye Valve Stems ♦
WVS13	Valve Stems Comparable to 100214W
WVS15	Valve Stems Comparable to 106214W



DRY CHEMICAL VALVE STEMS. Fyr-Fyter. Pkg/5.

P/N	DESCRIPTION
FVS21	Valve Stems Comparable to 109438F



♦ Item in Valve Stem Kit (VSKIT), see page 241.
Ansul® and Sentry® are registered marks of Tyco Fire Products LP.

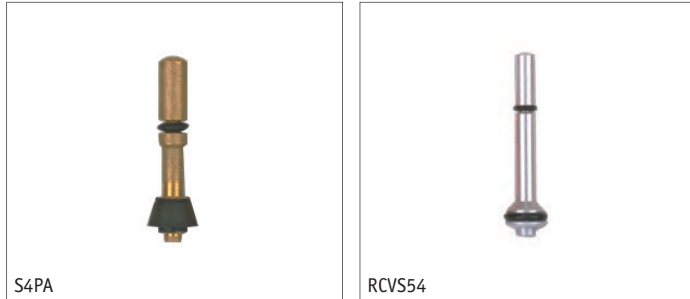
11 FIRE EXTINGUISHER PARTS



DRY CHEMICAL VALVE STEMS. Kidde. Pkg/5.

P/N	DESCRIPTION
440068K	Kidde Valve Stems ♦
877546K	Kidde Valve Stems ♦
KVS46*	Valve Stems
	Comparable to 843704K

*WHILE QUANTITIES LAST!

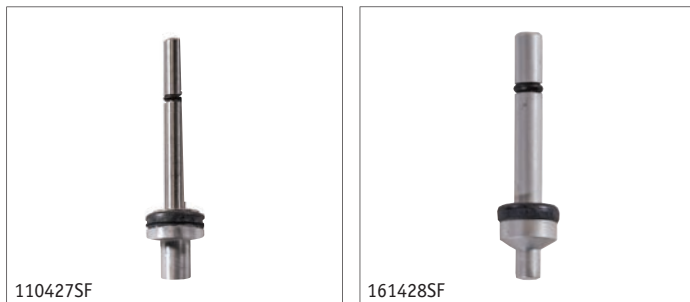


DRY CHEMICAL VALVE STEMS. Pem All, and RC Ind.

Pkg/5.

P/N	DESCRIPTION
S4PA	Pem All Valve Stems
RCVS54*	Valve Stems
	Comparable to LR006RC

*WHILE QUANTITIES LAST!



DRY CHEMICAL VALVE STEMS. Strike First. Pkg/5.

P/N	DESCRIPTION
110427SF	Strike First Valve Stems ♦
161428SF	Strike First Valve Stems ♦



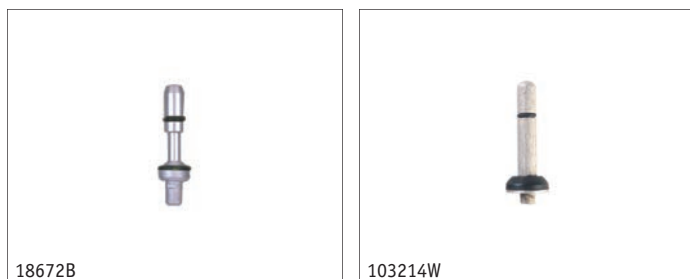
PRESSURIZED WATER VALVE STEMS. Amerex, Ansul, Badger, and Fyr-Fyter. Pkg/5.

P/N	DESCRIPTION
6093A	Amerex Valve Stems ♦
12426B	Badger Valve Stems ♦
429099AS	Ansul Valve Stems ♦
FVS21	Valve Stems
	Comparable to 109438F



WET CHEMICAL VALVE STEMS Amerex, Ansul, Badger, and Buckeye. Pkg/5.

P/N	DESCRIPTION
14878A	Amerex Valve Stems ♦
429099AS	Ansul Valve Stems ♦
12426B	Badger Valve Stems ♦
900921W	Buckeye Valve Stems ♦



HALON VALVE STEMS. Amerex and Ansul. Pkg/5.

P/N	DESCRIPTION
6092A	Amerex Valve Stems ♦
6093A	Amerex Valve Stems ♦
ASVS4	Valve Stems ♦
	Comparable to 24489AS

HALON VALVE STEMS. Badger and Buckeye. Pkg/5.

P/N	DESCRIPTION
18672B	Badger Valve Stems
103214W	Buckeye Valve Stems ♦

♦ Item in Valve Stem Kit (VSKIT), see page 241.

Ansul® is a registered mark of Tyco Fire Products LP.

HALON VALVE STEMS. Pem All. Pkg/5.

P/N	DESCRIPTION
S4PA	Pem All Valve Stems



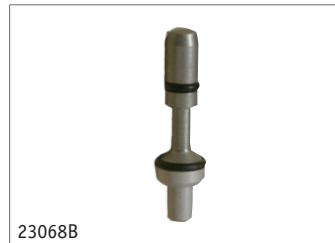
HALON VALVE STEMS. RC Ind. Pkg/5.

P/N	DESCRIPTION
RCVS54*	Valve Stems Comparable to LR006RC *WHILE QUANTITIES LAST!



HALOTRON® I VALVE STEMS. Amerex. Pkg/5.

P/N	DESCRIPTION
14327A	Amerex Valve Stems
13288A	Amerex Valve Stems



HALOTRON® I VALVE STEMS. Badger. Pkg/5.

P/N	DESCRIPTION
23068B	Badger Valve Stems
23355B	Badger Valve Stems
23086B	Badger Valve Stems

HALOTRON® I VALVE STEMS. Buckeye. Pkg/5.

P/N	DESCRIPTION
103216W	Buckeye Valve Stems



Cleanguard FE-36 VALVE STEMS. Ansul. Pkg/5.

P/N	DESCRIPTION
ASVS4	Valve Stems ♦ Comparable to 24489AS
429099AS	Ansul Valve Stems ♦



CO₂ VALVE STEMS. Amerex, Ansul, Badger, Buckeye, RS, and Superior. Pkg/5.

P/N	DESCRIPTION
1539A	Amerex Valve Stems
418682AS	Ansul Valve Stems
5558B	Badger Valve Stems
20981B	Badger Valve Stems
900321W	Buckeye Valve Stems
418682AS	RS/Superior Valve Stems (P5970-21)



Our **VALVE STEM KIT** contains five each of 16 valve stems (see valve stems marked with a ♦). Stems come in a handy clear storage box with a full-scale illustration of each one.

P/N	DESCRIPTION
VSKIT	Valve Stem Kit
LPC16	Clear Parts Bin Box (Empty)



♦ Item in Valve Stem Kit (VSKIT), see above.
Ansul® is a registered mark of Tyco Fire Products LP.



O-RINGS



O-RINGS



O-RINGS



O-RINGS

O-RINGS

UL RECOGNIZED COMPONENT VALVE STEM and GAUGE O-RINGS. Pkg/10.

P/N	DESCRIPTION
OR4	Valve Stem Shaft O-Rings
OR5	Valve Stem Shaft & Gauge O-Rings
OR6	Valve Stem Shaft O-Rings
OR25	Valve Stem O-Rings Comparable to 70567AS, 33030G

UL RECOGNIZED COMPONENT HOSE, NOZZLE, and ELBOW O-RINGS. Pkg/10.

P/N	DESCRIPTION
OR8	Nozzle/Hose O-Rings ♦ Comparable to 1532A, 14911B, 5857G, 64350011K
OR10	Nozzle/Hose O-Rings ♦ Comparable to 6978A, 320914K
OR18	Nozzle/Hose O-Rings Comparable to 3469AC, 701B
OR165	Elbow O-Rings Comparable to 5689A, 21101B, 900331W
OR906	Hose O-Rings Comparable to 6263AC
OR908	Hose O-Rings Comparable to 6323AC
OR910	Hose O-Rings Comparable to 6324AC

UL RECOGNIZED COMPONENT COLLAR O-RINGS

for water and dry chemical extinguishers. Pkg/10.

P/N	DESCRIPTION
OR22	Collar O-Rings Comparable to 14913B
OR31	Collar O-Rings Comparable to 32518G
OR32	Collar O-Rings Comparable to 33806G
OR33	Collar O-Rings Comparable to 64350226K
OR35	Collar O-Rings Comparable to 320005K
OR37	Collar O-Rings ♦ Comparable to 900001W
OR43	Collar O-Rings Comparable to 56610327K
OR315	Collar O-Rings Comparable to 64350222K

UL RECOGNIZED COMPONENT COLLAR O-RINGS

for water, dry chemical, halon 1211, and FE-36 extinguishers.

Pkg/10.

P/N	DESCRIPTION
OR20	Collar O-Rings ♦ Comparable to 900004W, 552007FG, 11178G
OR21	Collar O-Rings ♦ Comparable to 33178G, RR008RC, 161345SF
OR26	Collar O-Rings ♦ Comparable to S3PA
OR27	Collar O-Rings ♦ Comparable to 5241A, 429537AS, 20745B, 900010W, 10513FG, 320680K
OR28	Collar O-Rings ♦ Comparable to 428327AS, L3PA
OR29	Collar O-Rings ♦ Comparable to 5240A, 56909AS, 20746B
OR30	Collar O-Rings Comparable to 64350218K
OR195	Collar O-Rings ♦ Comparable to 79122AS
OR305	Collar O-Rings Comparable to 35786G

♦ Item in O-Ring Kit (ORKIT), see page 243.

COLLAR O-RINGS for carbon dioxide extinguishers. Pkg/10.

P/N	DESCRIPTION
OR39	Collar O-Rings ♦ Comparable to 1124A, 900329W
OR295	Collar O-Rings ♦ Comparable to 79805AS, 16464B, 320130K

GASKETS for dry chemical extinguishers. Pkg/10.

P/N	DESCRIPTION
G45	Cartridge Receiver Gaskets Comparable to 181AC
G48	Fill Cap Gaskets Comparable to 6190AC

QUAD RINGS for dry chemical extinguishers. Pkg/10.

P/N	DESCRIPTION
QR39	Fill Cap Quad Rings Comparable to 6273AS
QR40	Collar Quad Rings ♦ Comparable to 16222AS
QR41	Collar Quad Rings ♦ Comparable to 25765AS

QUAD RINGS for halon 1211 and FE-36 extinguishers. Pkg/10.

P/N	DESCRIPTION
QRH43	Collar Quad Rings Comparable to 21882AS

Our **O-RING KIT** comes in a handy clear storage box (16 compartment) with a full-scale illustration of each one and includes O-rings marked with ♦ as well as the **259535K** and **340035K**.

P/N	DESCRIPTION
ORKIT	O-Ring Kit

V-711 SILICONE GREASE is stiff, tacky, and dielectric.

P/N	DESCRIPTION
SLUBE	Silicone Grease, 4.32 oz Tube

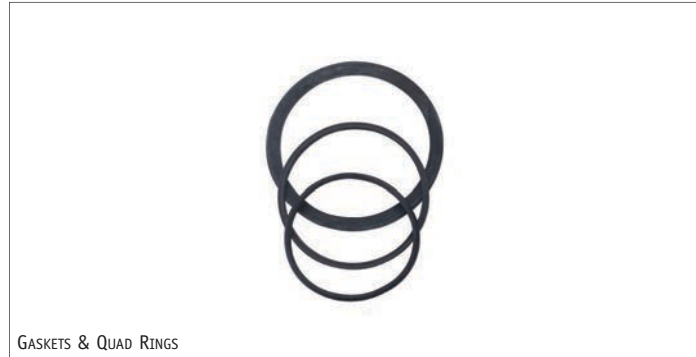
Parker O-LUBE is an outstanding general-purpose grease for O-rings and seals. Protects O-rings against abrasion in DC units.

P/N	DESCRIPTION
OLUBE2	O-Ring Lubricant, 2 oz Tube

♦ Item in O-Ring Kit (ORKIT), see above.



O-RINGS



GASKETS & QUAD RINGS



ORKIT



SLUBE



OLUBE2



RIVETS

RIVETS. Pkg/50.

P/N	DESCRIPTION
RV5	Handle Rivets ♦ Comparable to 1564A, 900052W
RV7	Lever Rivets ♦ Comparable to 1563A
RV8	Lever Rivets ♦ Comparable to 900053W
RV13	Handle Rivets ♦ Comparable to 23354B
RV14	Lever Rivets Comparable to 13145G, 32057G
RV15	Lever Rivets ♦ Comparable to 23352B
RV27	Lever Rivets ♦ Comparable to 16633B
RV30	Handle Rivets ♦ Comparable to 16517B, 320751B
RV31	Lever Rivets ♦ Comparable to 320750B, 18404B
RV33	Handle/Lever Rivets Comparable to 9992100PP
RV38	Handle/Lever Rivets Comparable to 900042W

RIVETS. Pkg/50.

P/N	DESCRIPTION
RV43	Lever Rivets ♦ Comparable to 16518B
RV44	Lever Rivets ♦ Comparable to 25719AS
RV46	Handle Rivets Comparable to RV001RC, 32075G
RV47	Handle Rivets ♦ Comparable to 25720AS
RV48	Lever Rivets Comparable to RV002RC, RV003RC, 32061G
RV49	Handle Rivets Comparable to 32058G
RV53	Handle/Lever Rivets Comparable to 33699G, 33027G
RV55	Handle Rivets ♦ Comparable to 1064A, 900049W
RV57	Lever Rivets ♦ Comparable to 1060A
RV59	Lever Rivets ♦ Comparable to 900050W

RIVETS. Pkg/50.

P/N	DESCRIPTION
RV63	Handle Rivets Comparable to 34076G
RV64	Handle Rivets Comparable to 35774G
RV67	Handle Rivets Comparable to 32062G
RV71	Handle Rivets Comparable to 34991G
RV78	Handle/Lever Rivets ♦ Comparable to 428130AS
RV80	Handle/Lever Rivets ♦ Comparable to 162803SF
RV81	Handle Rivets Comparable to 206363K, 50013F

Our **RIVET KIT** contains 50 each of the rivets marked with a (♦) above (for a total of 800 rivets) in a handy clear storage box with full-scale illustrations.

P/N	DESCRIPTION
RKIT	Rivet Kit

♦ Item in Rivet Kit (RKIT).

SMALL PARTS STORAGE

Designed to hang, stack, or nest, these **PLASTIC STORAGE BINS** are made of industrial-grade polymer and come with hopper front openings for easy access. They are also injection molded to help resist weak acids and alkalis while remaining water, rust, and corrosion proof. Blue.

P/N	DESCRIPTION	L X H X D
30210TF	Plastic Bin	5 ³ / ₈ " x 3" x 4 ¹ / ₈ "
30220TF	Plastic Bin	7 ³ / ₈ " x 3" x 4 ¹ / ₈ "
30230TF	Plastic Bin	10 ⁷ / ₈ " x 5" x 5 ¹ / ₂ "
30235TF	Plastic Bin	10 ⁷ / ₈ " x 5" x 11"
30240TF	Plastic Bin	14 ³ / ₄ " x 7" x 8 ¹ / ₄ "
30250TF	Plastic Bin	14 ³ / ₄ " x 7" x 16 ¹ / ₂ "



PLASTIC STORAGE BINS

Made of corrosion-proof, industrial-grade polymers, these hang or stack **STANDARD STORAGE BINS** have reinforced sides and extra-wide ledges to help prevent spills or spreading when stacked. They also come standard with anti-slide stops, curved-bottom hopper fronts, and large label areas. Acid and alkali resistant as well as water and rust proof. Colors available: Red (R), Yellow (Y), Green (G), Blue (B), Stone (S), and Clear (CL).

P/N	DESCRIPTION	L X H X D
30210_AM	AkroBin Standard Bin	5 ³ / ₈ " x 3" x 4 ¹ / ₈ "
30220_AM	AkroBin Standard Bin	7 ³ / ₈ " x 3" x 4 ¹ / ₈ "
30224_AM	AkroBin Standard Bin	10 ⁷ / ₈ " x 4" x 4 ¹ / ₈ "
30230_AM	AkroBin Standard Bin	10 ⁷ / ₈ " x 5" x 5 ¹ / ₂ "
30240_AM	AkroBin Standard Bin	14 ³ / ₄ " x 7" x 8 ¹ / ₄ "
30250_AM	AkroBin Standard Bin	14 ³ / ₄ " x 7" x 16 ¹ / ₂ "
30260_AM	AkroBin Standard Bin	18" x 10" x 11"



30240CLAM & 30240RAM In Use

More AKROBINS Available — Call for Pricing.

Our five-drawer **PARTS BIN RACK** holds our **CLEAR PARTS BIN BOXES** (sold separately).

P/N	DESCRIPTION
PBR1	Parts Bin Rack (Empty)
LPC16	Clear Parts Bin Box, 16 Compartments
LPC24	Clear Parts Bin Box, 24 Compartments



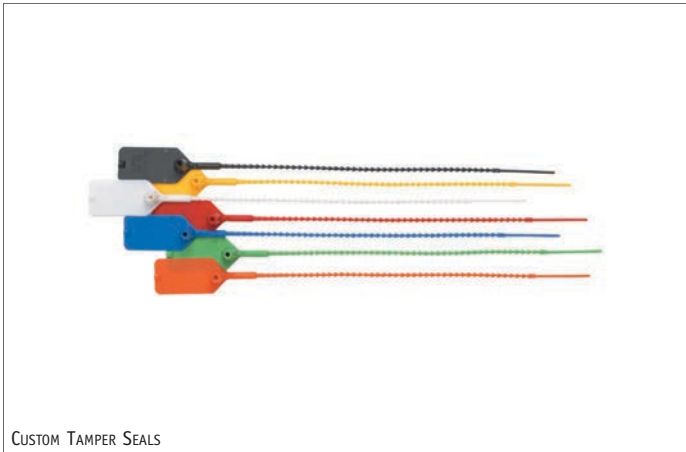
PBR1 w/ LPC16 In Use

This **PLASTIC STORAGE CASE** has 15 compartments and a clear lid for easy viewing. 11"L x 2³/₈"H x 7"W.

P/N	DESCRIPTION
05805AM	Plastic Storage Case



05805AM

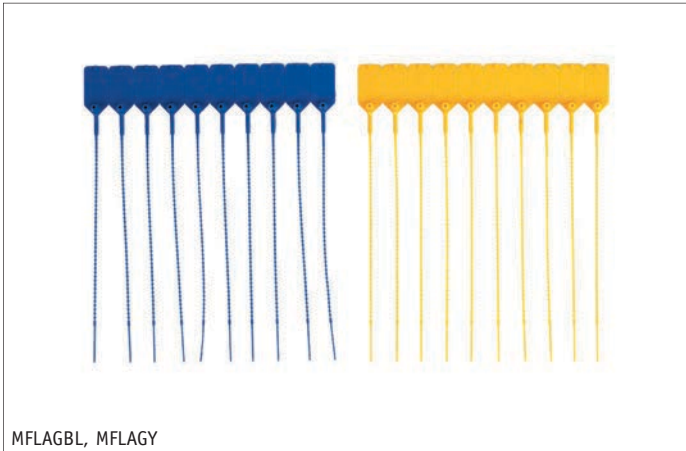


CUSTOM TAMPER SEALS

CUSTOM TAMPER SEALS

CUSTOM TAMPER SEALS are UL recognized components for fire extinguishers and feature flags with $1\frac{3}{16}$ " x $\frac{9}{16}$ " (medium) or $1\frac{3}{8}$ " x $\frac{9}{16}$ " (large) print areas. These matted seals are available in seven colors: Black (BK), Blue (BL), Green (G), Orange (O), Red (R), White (W), and Yellow (Y). There are four imprint colors: White (W), Black (BK), Dark Blue (B), and Red (R). Bag/1000 (10,000 minimum). **NOTE:** Please indicate both colors (seal/print) when ordering. A signed proof is required to process all orders! The Custom Die Charge is waived for exact re-orders only.

P/N	DESCRIPTION
SSPFLAG	9" Custom Matted Seals, Medium
SSPLGFG	10" Custom Matted Seals, Large
SSPFLAGDIE	Custom Die Charge (Initial SetUp Fee)

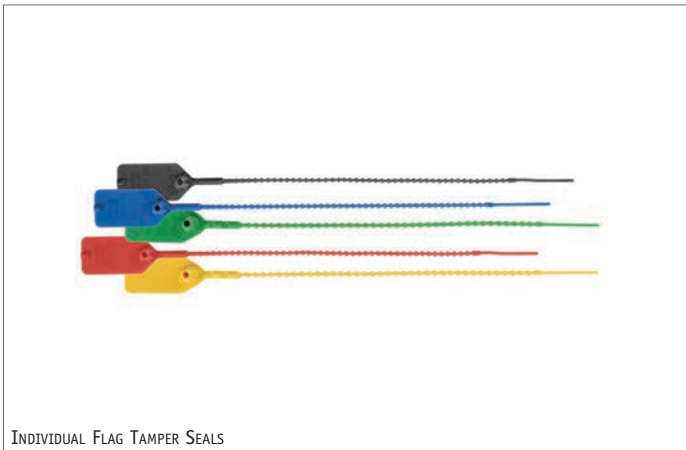


MFLAGBL, MFLAGY

NON-CUSTOM TAMPER SEALS

Genuine Brooks™ MATTED FLAG TAMPER SEALS are the same as **SSPFLAG** above except no custom imprint on the flag. Flags molded with "**Genuine Brooks**" and "**Sealed Do Not Remove**". 9". Bag/500 (50 matted sheets of 10 each).

P/N	DESCRIPTION
MFLAGBK	Genuine Flag Matted Seals, Black
MFLAGBL	Genuine Flag Matted Seals, Blue
MFLAGG	Genuine Flag Matted Seals, Green
MFLAGO	Genuine Flag Matted Seals, Orange
MFLAGR	Genuine Flag Matted Seals, Red
MFLAGW	Genuine Flag Matted Seals, White
MFLAGY	Genuine Flag Matted Seals, Yellow



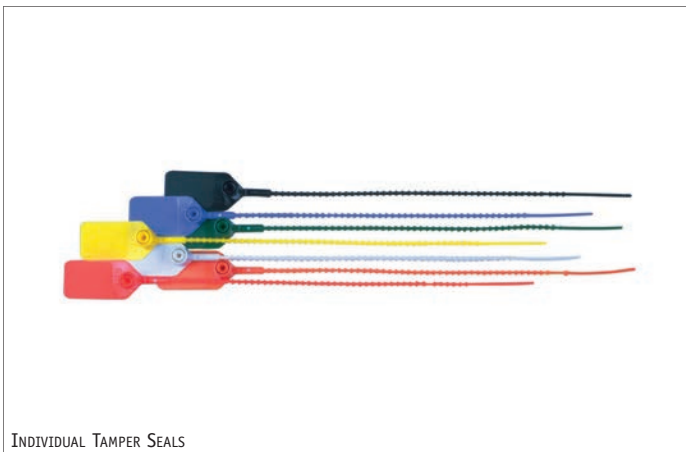
INDIVIDUAL FLAG TAMPER SEALS

Genuine Brooks™ INDIVIDUAL FLAG TAMPER SEALS are the same as above, except supplied as individual seals in seven colors. 9". Bag/500.

P/N	DESCRIPTION
CNDSBK	Genuine Flag Seals, Black
CNDSBL	Genuine Flag Seals, Blue
CNDSG	Genuine Flag Seals, Green
→ CNDSO	Genuine Flag Seals, Orange
CNDSR	Genuine Flag Seals, Red
CNDSY	Genuine Flag Seals, Yellow
→ CNDSW	Genuine Flag Seals, White

INDIVIDUAL TAMPER SEALS are UL recognized components for fire extinguishers and come in seven colors. A uniform diameter tail portion provides maximum pull pin retention and easy installation while maintaining flexibility in extreme conditions. Flags are molded with "**Sealed Do Not Remove**" and **Blank** side. 9". Bag/500.

P/N	DESCRIPTION
EJBBK	Blank Flag Seals, Black
EJBBL	Blank Flag Seals, Blue
EJBG	Blank Flag Seals, Green
EJBO	Blank Flag Seals, Orange
EJBR	Blank Flag Seals, Red
EJBW	Blank Flag Seals, White
EJBY	Blank Flag Seals, Yellow



INDIVIDUAL TAMPER SEALS

More LARGE DATE TAMPER SEALS Available. Call for Pricing.

FireTech™ FT “FLAME” MATTED LARGE DATE TAMPER SEALS are UL recognized components for fire extinguishers. A uniform diameter tail portion provides maximum pull pin retention while maintaining flexibility in extreme conditions. Printed date on flag. These seals are available in nine color and imprint combinations. 9". Box/500.

P/N	DESCRIPTION
FTSBKGD	Flame Seal, Black w/ Gold Imprint
FTSBKW	Flame Seal, Black w/ White Imprint
FTSBW	Flame Seal, Blue w/ White Imprint
FTSGW	Flame Seal, Green w/ White Imprint
FTSOBK	Flame Seal, Orange w/ Black Imprint
FTSRW	Flame Seal, Red w/ Black Imprint
FTSWB	Flame Seal, White w/ Blue Imprint
FTSWR	Flame Seal, White w/ Red Imprint
FTSYBK	Flame Seal, Yellow w/ Black Imprint

FireTech™ LARGE PRINTED DATE MATTED TAMPER SEALS are available in nine color combinations. A flexible flat tail portion enables easy installation and secure pull pin retention. Dated with the current year printed on flag (shows seal has been replaced during annual maintenance, according to NFPA 10). 9". Bag/500.

P/N	DESCRIPTION
FLMBKGD	Printed Date Seal, Black w/ Gold Imprint
FLMBKW	Printed Date Seal, Black w/ White Imprint
FLMBW	Printed Date Seal, Blue w/ White Imprint
FLMGW	Printed Date Seal, Green w/ White Imprint
FLMOBK	Printed Date Seal, Orange w/ Black Imprint
FLMRW	Printed Date Seal, Red w/ White Imprint
FLMWB	Printed Date Seal, White w/ Blue Imprint
FLMWR	Printed Date Seal, White w/ Red Imprint
FLMYBK	Printed Date Seal, Yellow w/ Black Imprint

Genuine Brooks™ MOLDED DATE INDIVIDUAL TAMPER SEALS are UL recognized components for fire extinguishers. Available in seven colors, they come dated (current year) to show seals have been replaced during annual maintenance (in accordance with NFPA 10). Flags molded with “**Genuine Brooks**” and “**Sealed Do Not Remove**”. 9". Bag/500.

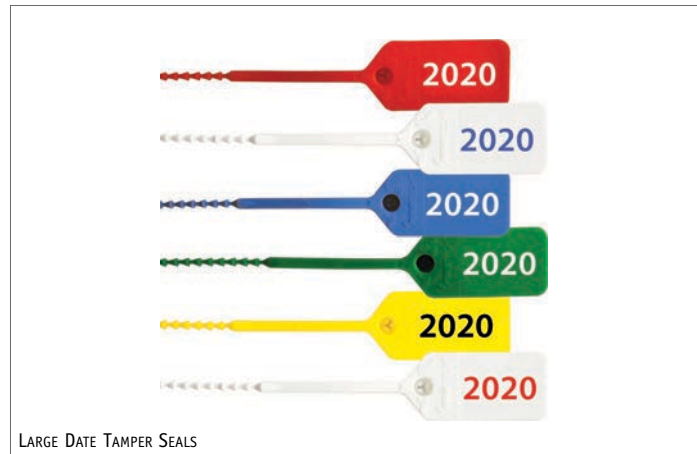
P/N	DESCRIPTION
FLAGBK	Genuine Molded Date Seals, Black
FLAGBL	Genuine Molded Date Seals, Blue
FLAGG	Genuine Molded Date Seals, Green
FLAGO	Genuine Molded Date Seals, Orange
FLAGR	Genuine Molded Date Seals, Red
FLAGW	Genuine Molded Date Seals, White
FLAGY	Genuine Molded Date Seals, Yellow

Dennison Secure-A-Seal tamper-evident POLYPROPYLENE SEALS. 8". Yellow. Pkg/2000.

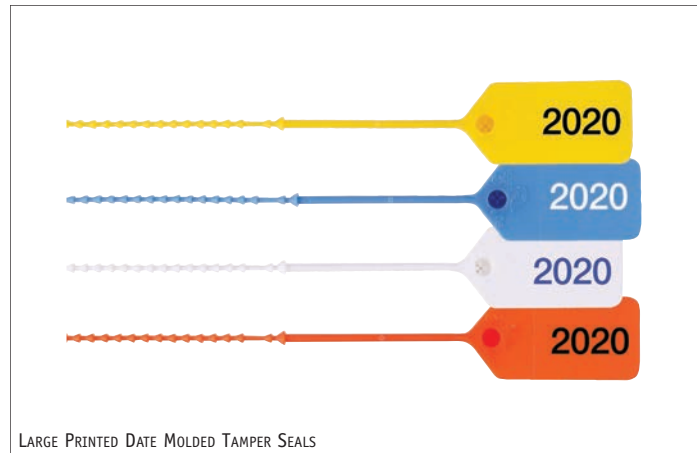
P/N	DESCRIPTION
SST	Polypropylene Seals

Multipurpose **METAL WIRE LEAD SEALS.** Pkg/100.

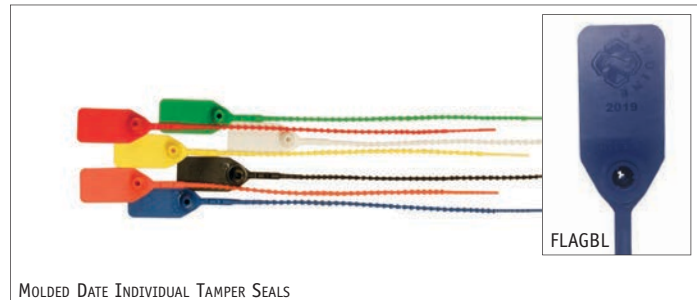
P/N	DESCRIPTION
▲CS10	10" Copper Wire w/ 1/4" Lead Seals
▲SS10	10" Galvanized Steel Wire w/ 1/4" Lead Seals
▲SS16	16" Galvanized Steel Wire w/ 7/16" Lead Seals



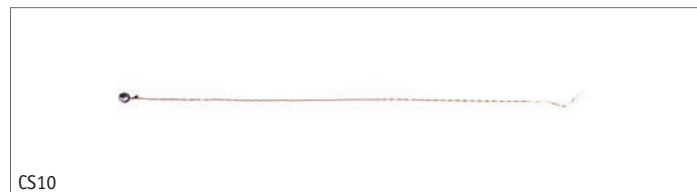
LARGE DATE TAMPER SEALS



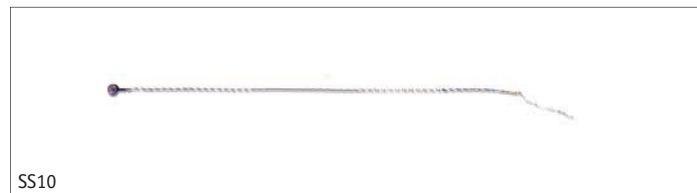
LARGE PRINTED DATE MOLDED TAMPER SEALS



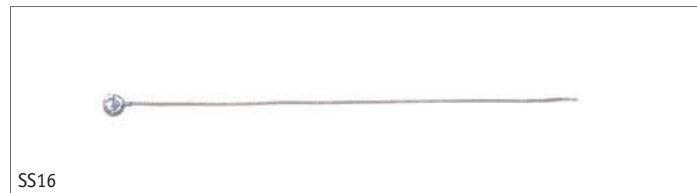
MOLDED DATE INDIVIDUAL TAMPER SEALS



CS10

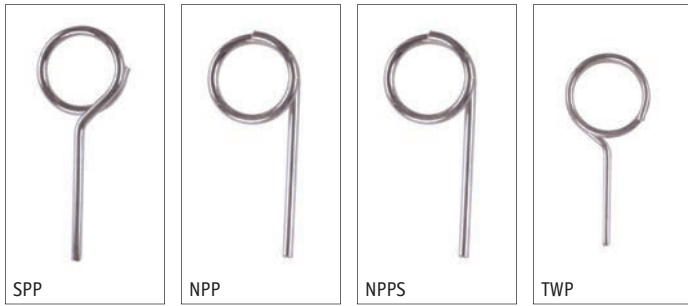


SS10



SS16

11 FIRE EXTINGUISHER PARTS



PULL PINS

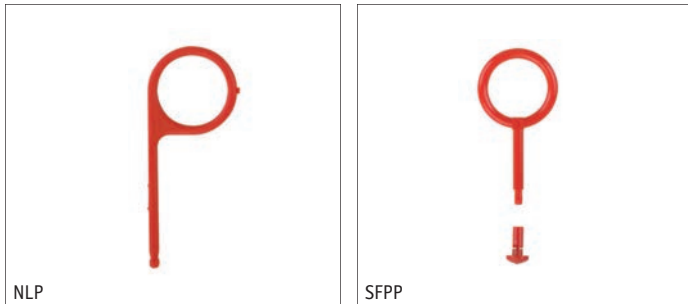
PULL PINS. Pkg/100 (priced per pack).

P/N	DESCRIPTION
SPP	Single-Point Pull Pins, Steel
NPP	New-Type Pull Pins, Steel



PULL PINS. Priced each.

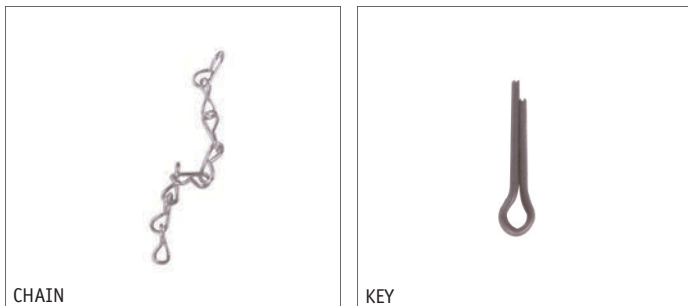
P/N	DESCRIPTION
NPPS	New-Type Pull Pin, Stainless Steel
TWP	Thin Wire Pull Pin, Steel



PULL PINS. Priced each.

P/N	DESCRIPTION
LLPS	Large Loop Pull Pin, Stainless Steel
LLPP	Large Loop Pull Pin, Steel
KDP	Kidde-Type Double Point Pull Pin, Stainless Steel
NLP*	Red Pull Pin, Plastic
SFPP*	Strike First-Type Red Pull Pin Assembly, Plastic

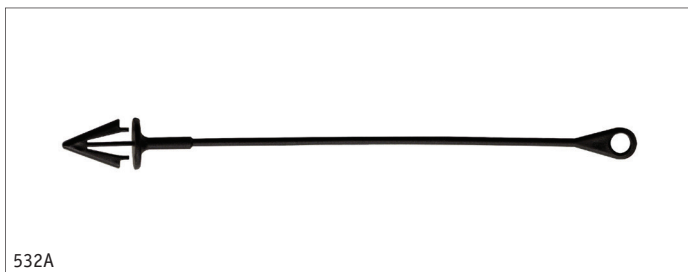
*NON-MAGNETIC



PULL PIN ACCESSORIES. Priced each.

P/N	DESCRIPTION
CHAIN	4" Single Jacket Galvanized Chain
KEY	Cotter Key For use w/ Chain
532A*	Nylon Chain For Amerex Pull Pin

*NON-MAGNETIC



CARTRIDGE BUSHINGS AND SHIPPING CAPS

FILLING BONNETS

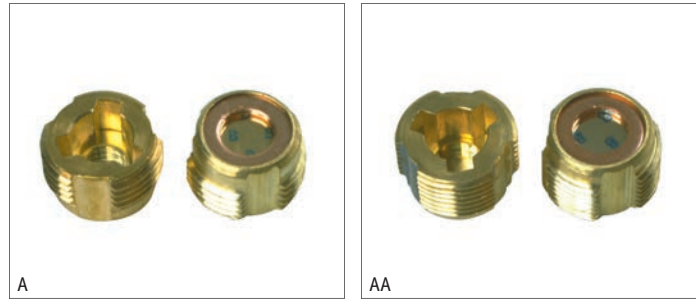


P/N	DESCRIPTION
B2081	Filling Bonnet Use w/ Ansul & General D/C CO ₂ Cartridges
B2082	Filling Bonnet Use w/ System Cartridges
OR26	Bonnet O-Rings
B209	Bushing Tool For B2081 & B2082 Bonnets
OR165	B209 Stem O-Rings

Ansul® is a registered mark of Tyco Fire Products LP.

“A” and “AA” BUSHINGS should be tightened to 40 ft-lb torque at room temperature.
NOTE: SEE WARNING below.

P/N	DESCRIPTION
A	Bushing For Ansul Portable D/C Extinguisher Cartridges
AA	Bushing For Ansul D/C Systems & Nitrogen Cartridges



“E” BUSHINGS should be tightened to 25 ft-lb torque at room temperature.
NOTE: SEE WARNING below.

P/N	DESCRIPTION
E	Bushing For General Outside Mounted D/C Extinguisher Cartridges
TW	18" Torque Wrench w/ 1/2" Drive, 10–150 ft-lb



Cartridge **SHIPPING CAPS.**

P/N	DESCRIPTION
LHSC	LH Thread Cartridge Shipping Cap
RHSC	RH Thread Cartridge Shipping Cap

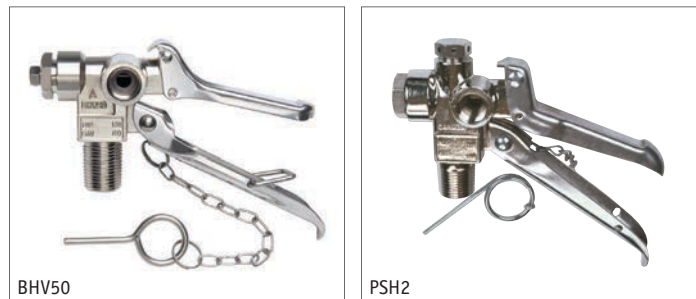
WARNING: The above parts and accessories are only a partial list of items and equipment needed to safely refill carbon dioxide and nitrogen cartridges. These parts and accessories should be purchased and used **only** by personnel who are thoroughly familiar with, and understand, the standards published in the Compressed Gas Association pamphlets G-6 and S-1.1, Code of Federal Regulations title 49, parts 100 thru 199, and who have received “hands-on” training under the direct supervision of someone experienced in cartridge refilling. If you lack the knowledge, training, or experience described above, **do not** attempt to refill either carbon dioxide or nitrogen cartridges. Instead, we recommend that you purchase either new cartridges or have them refilled by an established service facility. **Failure to adhere to the above instructions could result in serious injury or death.**



CO₂ FIRE EXTINGUISHER VALVES

CO₂ FIRE EXTINGUISHER VALVES for 1/2"-neck steel cylinders.

P/N	DESCRIPTION
BHV50	FireTech CO ₂ Valve
PSH2	RS CO ₂ Valve
SW50	Swivel Discharge Assembly For PSH2 Valves & BHV50
DCT	1/8" Brass Discharge Tube For BECO PSH Valves



11 FIRE EXTINGUISHER PARTS



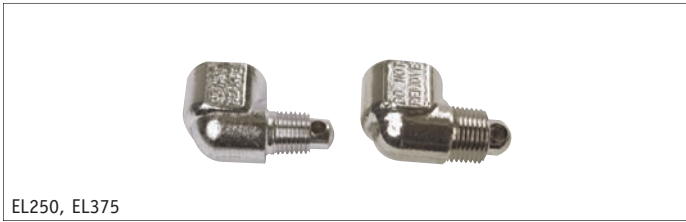
BHV100



PSH1

CO₂ FIRE EXTINGUISHER VALVES for 1"-neck steel cylinders. See page 305 for replacement parts.

P/N	DESCRIPTION
BHV100	FireTech CO ₂ Valve w/ Latch
PSH1	RS CO ₂ Valve w/ Latch
EL250	1/4" Elbow w/ Diffuser
EL375	3/8" Elbow w/ Diffuser



EL250, EL375

CO₂ FIRE EXTINGUISHER VALVE for 1 1/8"-neck aluminum cylinders.

P/N	DESCRIPTION
3090A	CO ₂ Valve
EL10	3/8" Elbow w/ Diffuser For 10-20 lb 3090A Valves
EL5	Elbow For 5 lb 3090A Valves
DCT	1/8" Brass Discharge Tube For 3090A w/ EL5



3090A



EL10



EL5



BA100

WHEELED UNIT VALVE for 50-100 lb CO₂ units.

P/N	DESCRIPTION
BA100	1" Handwheel Valve
BA100STEMD	Valve Stem For BA100
RS5	Disc, Washer, & Nut Assembly For BA100

WHEELED UNIT VALVES

P/N	DESCRIPTION
CEV	3/4" Nitrogen Valve w/ 3000 psi Gauge For Dry Chemical Wheeled Units
CEV4	3/4" Nitrogen Valve w/ 4000 psi Gauge For Dry Chemical Wheeled Units
CEVDW	Safety Disc & Washer For CEV & CEVQR
CEVSN	Safety Nut For CEV & CEVQR
CEVSN4	Safety Nut For CEV4 & CEVQR4
CEVQR	3/4" Quick-Release Nitrogen Valve w/ 3000 psi Gauge For Dry Chemical Wheeled Units
CEVQR4	3/4" Quick-Release Nitrogen Valve w/ 4000 psi Gauge
CEVDW4	Safety Disc & Washer For CEVQR4
CEVSTEM	Lower Seat Stem For CEV
CEVSPINDLE	Upper Spindle For CEV
G3000	3000 psi Replacement Gauge For CEV, CEVQR, & 12467A



CEV



CEVQR

QUICK-RELEASE VALVES

P/N	DESCRIPTION
9895A	3/4" Quick-Release Valve w/ Downtube For 50-100 lb CO ₂ Cylinders
12467A	3/4" T-Handle Quick-Release Nitrogen Valve w/ Gauge Safety Disc, Washer, & Nut Assembly For 9895A

Brass **COMMERCIAL CO₂ VALVES** are for aluminum and steel cylinders and come threaded to accept siphon tubes (except **CV50**) when used with **COMB** adapters. See page 305 for size information.

P/N	DESCRIPTION
CV50	CO ₂ Valve For 1/2" Neck Steel Cylinders
CV75	CO ₂ Valve For 3/4" Neck Steel Cylinders
CV100	CO ₂ Valve For 1" Neck Steel Cylinders
CV100A	CO ₂ Valve For 1 1/8" Straight-Thread Aluminum Cylinders
OR39	O-Ring For CV100A Valves

Brass **COMMERCIAL NITROGEN VALVES.**

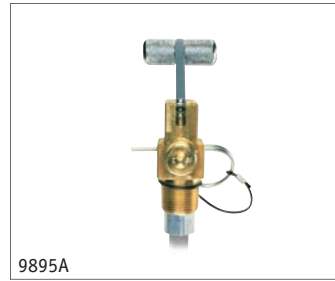
P/N	DESCRIPTION
NV75	3/4" Nitrogen Valve w/ CGA 580 Outlet
NV100	1" Nitrogen Valve w/ CGA 580 Outlet
PC1	Plastic Thread Protector For 1/2" Outlet Valves
PC2	SCBA Thread Saver For Scott, MSA, & Survivair w/ 18" Cord
HWG	Handwheel Grip For Valves

CO₂ SIPHON TUBES

SIPHON TUBES for extinguisher and commercial CO₂ valves.

NOTE: Always verify siphon tube is the correct length. More specifically, the siphon tube bottom should rest approximately 1/4" from the inside bottom of the cylinder (with the valve in place). If cutting is necessary, make it at 45°. This prevents the tube from sealing against the cylinder bottom.

P/N	DESCRIPTION
2ST	2.5 & 5 lb CO ₂ Siphon Tube
10ST	10 lb CO ₂ Siphon Tube
15ST	15 & 20 lb CO ₂ Siphon Tube
COMB	Siphon Tube Adapter Fits 2ST, 10ST, & 15ST
50ST	50 & 75 lb CO ₂ Siphon Tube Fits BA100 & 24128G (Only)
50BIST	Black Iron Siphon Tube, 53 1/2" x 1/4", NPT Fits CV75 & CV100 Valves



9895A



12467A



CV50



CV100A



NV75



NV100



PC1



PC2



HWG In Use



10ST



15ST



50ST



COMB

WARNING: This product may contain a chemical known to the State of California to cause cancer and/or birth defects or other reproductive harm.

In Use photos may show items not included or available separately.

CO₂ SAFETY DISCS & WASHERS

CO₂ SAFETY DISCS AND WASHERS

CO₂ SAFETY DISCS and **WASHERS** are for CO₂ fire extinguisher valves only. See pages 306 and 307 for **Sherwood** and **Superior** commercial valve safety disc assemblies.

P/N	DESCRIPTION
4000A	Amerex Disc, Washer, & Nut Assembly – 3090A & 9895A Valves 250 in-lb (21 ft-lb)
429515AS	Ansul Disc, Washer, & Nut Assembly 35 ft-lb
24643B	Badger Disc, Washer, & Nut Assembly 25–30 ft-lb
200081W	Buckeye Disc, Washer, & Nut Assembly 32 ft-lb
50115F	Fyr-Fyter Safety Disc 20 ft-lb
50116F	Fyr-Fyter Copper Washer
24643B	Kidde Disc, Washer, & Nut Assembly 25–30 ft-lb
260299K	Kidde Safety Disc – Aluminum Valves 250–275 in-lb (21–23 ft-lb)
258443K	Kidde Aluminum Washer
29450K	Kidde Copper Washer
RS5	RS Valve Disc, Washer, & Nut Assembly – PSH1, PSH2, & BA100 Valves 27 ft-lb
C16SV	Superior Safety Disc (Small Style for Extinguisher Valve) 72–84 in-lb (6–7 ft-lb)
C15SV	Superior Copper Washer (Small Style for Extinguisher Valve)
16ASV	Superior Safety Disc (Large Style for Military Valve) 35 ft-lb
15SV	Superior Copper Washer (Large Style for Military Valve)

See page 217 for Torque Wrenches.



B114, STB114



B115



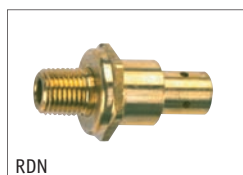
RDH10, RDH15



RDC



B128



RDN



B222

CO₂ HORNS, NIPPLES, AND HANDLES

CO₂ HORNS, NIPPLES, HANDLES, and **CLIPS.**

NOTE: There are several different 5 lb horn and discharge tube designs. To ensure correct replacement parts, carefully check the old horn and tube. Some discharge tubes have a long diffuser tip and will not work with certain horns. Test for CO₂ flow through discharge tube and horn assembly to be sure.

P/N	DESCRIPTION
B114	5 lb CO ₂ Horn w/ Diffuser For Discharge Tubes w/o Diffuser
STB114	5 lb CO ₂ Horn For Discharge Tubes w/ Built-In Diffuser
B11510	Conical Horn w/ Brass Diffuser For 10 lb CO ₂ Extinguishers
B115	Conical Horn w/ Brass Diffuser For 15 & 20 lb CO ₂ Extinguishers
RDH10	Rapid Discharge Horn & Handle For 10 lb CO ₂ Extinguishers
RDH15	Rapid Discharge Horn & Handle For 15 & 20 lb CO ₂ Extinguishers
RDC	Diffuser Clip For RDH CO ₂ Horns
RDN	Diffuser For RDH CO ₂ Horns
B128	Rubber Handle For All Conical Horns
B222	1/4" x 6" Galvanized Steel Nipple For All Conical Horns

Ansul® is a registered mark of Tyco Fire Products LP.

This safety **HORN HOLDER** keeps the horn in the down position, against the extinguisher, preventing water from entering the hose and horn. Use the **UHS35** strap to install.

P/N	DESCRIPTION
SHH	Safety CO ₂ Horn Holder
UHS35	Universal Hose Strap

WHEELED CO₂ UNIT HORN ASSEMBLY

NOTE: The nipple/handle attaches to the 3/8" female side of valve assembly. Horn attaches to other end of nipple, while hose attaches to 1/2" male side of valve.

P/N	DESCRIPTION
CSV	Valve Assembly For 50 & 75 lb CO ₂
CSH	CO ₂ Horn w/ Diffuser
CSN	3/8" x 18" Galvanized Steel Nipple
CSR	Rubber Handle For CSN Nipples

CO₂ HOSE ASSEMBLIES

CO₂ FIRE EXTINGUISHER HOSE assemblies meet or exceed UL Standard 154 and feature perforated, rubber-covered, wire-braided hose with heavy-duty brass couplings. They are rated at 10,000 lb bursting pressure and 2500 lb working pressure.

P/N	DESCRIPTION
32A	32" Hose, 1/4"F x 1/4"F For 10-20 lb CO ₂ Extinguishers
32B	32" Hose, 1/4"F x 3/8"F For 10-20 lb CO ₂ Extinguishers
36A	36" Hose, 1/4"F x 1/4"F For 10-20 lb CO ₂ Extinguishers
36B	36" Hose, 1/4"F x 3/8"F For 10-20 lb CO ₂ Extinguishers

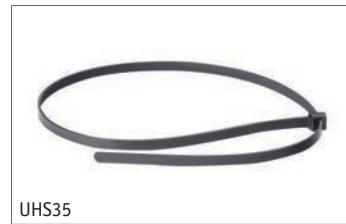
CO₂ WHEELED UNIT HOSE assemblies meet or exceed UL Standard 154 and come with the same features as our **CO₂ Fire Extinguisher Hose** assemblies above.

WARNING: Leaving hose charged for long periods may result in jacket blistering.

P/N	DESCRIPTION
15FF	15' CO ₂ Hose, 1/2"F x 1/2"F For 50 lb & Larger Wheeled & Stationary Units
40FF	40' CO ₂ Hose, 1/2"F x 1/2"F For 50 lb & Larger Wheeled & Stationary Units
▲CPLF	Coupling, 1/2"F x 1/2"F To Change Hose End from Male to Female
▲CPLM	Adapter, 1/2"M x 1/2"M To Change Hose End from Female to Male



SHH w/ UHS35 In Use



UHS35



SHH



CSV, CSH, CSN, CSR



32A, 36A



15FF



CPLF



CPLM

WARNING: This product may contain a chemical known to the State of California to cause cancer and/or birth defects or other reproductive harm.

In Use photos may show items not included or available separately.

11 FIRE EXTINGUISHER PARTS



UHS35



UHC

REPLACEMENT BANDS AND STRAPS

UNIVERSAL HOSE STRAPS and CLIPS.

P/N	DESCRIPTION
UHC	Universal Hose Clip
UHS35	Universal Hose Strap



UHC w/ UHS35 In Use



LCC38 In Use

ONE-PIECE HOSE STRAP and CLIP assemblies fit cylinders up to 7" Dia.

P/N	DESCRIPTION
LCC12	One-Piece Hose Strap & Clip Fits 1/2" Dia Hose
LCC38	One-Piece Hose Strap & Clip Fits 3/8" Dia Hose



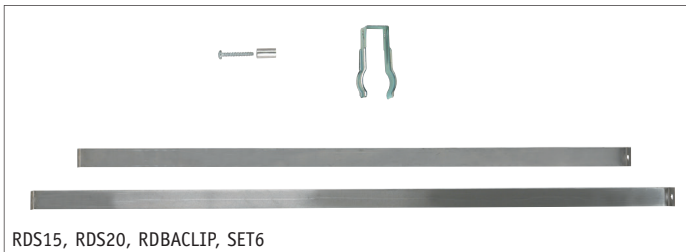
AX20570



AX20571

CO₂ REPLACEMENT STRAPS and CLIPS for Amerex® 10–20 lb cylinders.

P/N	DESCRIPTION
AX20570	Amerex Strap & Clip For AX330 & AX331
AX20571	Amerex Strap & Clip For AX332



RDS15, RDS20, RDBACLIP, SET6

CO₂ REPLACEMENT STRAPS for 10–20 lb cylinders.

P/N	DESCRIPTION
RDS15	Strap For Rapid Discharge Style Horns, 10–15 lb
RDS20	Strap For Rapid Discharge Style Horns, 20 lb
RDBACLIP	Clip For Rapid Discharge Style Horns
SET6	Screw & Spacer For RDS15 & RDS20



SET6 w/ RDBACLIP & RDS15 In Use

RDBACLIP

CO₂ REPLACEMENT BANDS for units with rapid discharge horns.

P/N	DESCRIPTION
RDBA	Aluminum Rapid Discharge Horn Band
SET2	Hardware – Spacer, Nut, & Screw For RDBA Bands
RDBB	Brass Rapid Discharge Horn Band
SET4	Hardware – Spacer, Nut, & Screw For RDBB Bands

CO₂ REPLACEMENT BANDS for units with conical discharge horns.

P/N	DESCRIPTION
UBA	Aluminum Conical Discharge Horn Band
SET1	Hardware – Bar, Nut, & Screw For UBA Bands
UBB	Brass Conical Discharge Horn Band
SET3	Hardware – Bar, Nut, & Screw For UBB Bands

Reduce valve damage and make transporting cylinders easier with these **CARRYING HANDLES** and **ADAPTERS**. They provide protection for virtually all CO₂ cylinders. Adapters fit steel cylinders with neck diameters of 1³/₈"–1⁷/₈".

P/N	DESCRIPTION
CCH1	Luxfer Carry Handle w/ Ring, 2 ³ / ₈ " Neck
CCH2	Kidde Carry Handle w/ Ring, 2 ³ / ₁₆ " Neck
CCH3	Catalina Carry Handle w/ Ring, 2 ³ / ₈ " Neck
RING1	CCH1 Replacement Snap Ring
RING2	CCH2 Replacement Snap Ring
RING3	CCH3 Replacement Snap Ring
LHA	CCH1 Carry Handle Adapter For Steel Cylinders

BEVERAGE CYLINDER EQUIPMENT

BEVERAGE REGULATORS are for CO₂ beverage cylinders only.

NOTE: Not to be used on vacuum filling systems for extinguishers.

P/N	DESCRIPTION
BEV3	100 psi CO ₂ Beverage Regulator
▲100G	100 psi Replacement Gauge For BEV3
BEV4	1800/160 psi CO ₂ Beverage Regulator
▲160G	160 psi Replacement Gauge For BEV4
BEV5	1800/60 psi CO ₂ Beverage Regulator
▲60G	60 psi Replacement Gauge For BEV5
▲2000G	0–2000 psi Replacement Gauge w/ Right-Hand Threads
▲L2000G	0–2000 psi Left-Hand Thread Gauge Fits Cornelius & Watts Fluidair (BEV4)



WARNING: This product may contain a chemical known to the State of California to cause cancer and/or birth defects or other reproductive harm.

In Use photos may show items not included or available separately.

11 FIRE EXTINGUISHER PARTS



WALL HANGERS

WALL HANGERS

P/N	DESCRIPTION
WH2	Universal Hanger For 2.5 gal Water, 10 lb D/C, & 13 lb Halon
WH5	Universal Hanger For 5 lb CO ₂ , 6-10 lb D/C, & 9 lb Halon
WH15	Universal Hanger For 10-15 lb CO ₂ & 11-15.5 lb Halotron I
WH20	Universal Hanger For 20 lb CO ₂ , 20 lb D/C, 17 lb Halon, & Class D



The **HANGER LOOP KIT** replaces broken loops on the back of stainless steel cylinders. Use it with a **WH2** wall hanger.

P/N	DESCRIPTION
HLK	Hanger Loop Kit

WALL HANGERS. Amerex.



P/N	DESCRIPTION
4834A	Amerex Hanger For 1.25 & 2.5 lb Halon & 2.5 lb D/C
1521A	Amerex Hanger For 5 lb D/C Extinguishers (Thru 2007)
16591A	Amerex Hanger For 5 lb D/C Extinguishers (2008 & Later)
5525A	Amerex Hanger For 6-13 lb Extinguishers

WALL HANGERS. Ansul.



P/N	DESCRIPTION
ACWH1	Ansul Compatible Hanger For 10-30 lb Cartridge Extinguishers
ASWH2	Ansul Compatible Hanger For 4.5-9 lb Sentry "SY" Model Extinguishers
ASWH3	Ansul Compatible Hanger For 10-14 lb Sentry "SY" Model Extinguishers
ASWH4	Ansul Compatible Hanger For 17-20 lb Sentry "SY" Model Extinguishers
A430056	Ansul Hanger For 2.5 gal Water & 6 L Wet Chem

WALL HANGERS. Kidde.



P/N	DESCRIPTION
202208K	Kidde Hanger For 4 lb CO ₂ Extinguishers
293263K	Kidde Hanger For 6 lb D/C Extinguishers
1141K	Kidde Hanger For Pro-Line Extinguishers
340357K	Kidde Hanger For 2.6-2.75 lb D/C Extinguishers
340358K	Kidde Hanger For 4-6 lb D/C Extinguishers
340791K	Kidde Hanger For 10 lb D/C Extinguishers
14260K	Kidde Hanger For 20 lb D/C Extinguishers

WALL HANGERS. Pem All and RC Ind.



P/N	DESCRIPTION
WB1PA*	Pem All Hanger For 5-10 lb Small Valve Extinguishers
WB2PA*	Pem All Hanger For 10-20 lb Large Valve Extinguishers
BT029RC	RC Ind. Hanger For 2.5-10 lb Extinguishers

*WHILE QUANTITIES LAST!

Ansul® and Sentry® are registered marks of Tyco Fire Products LP.

No Drilling Required!

Dual mounting, this **"I" BEAM ADAPTER** facilitates hanging portable extinguishers on "I" beams. **IBA2** used to attach wall hanger.

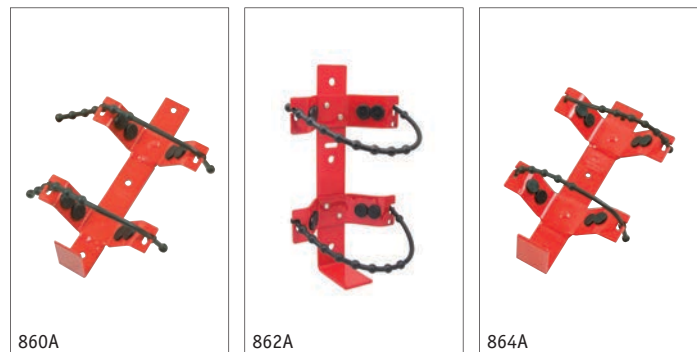
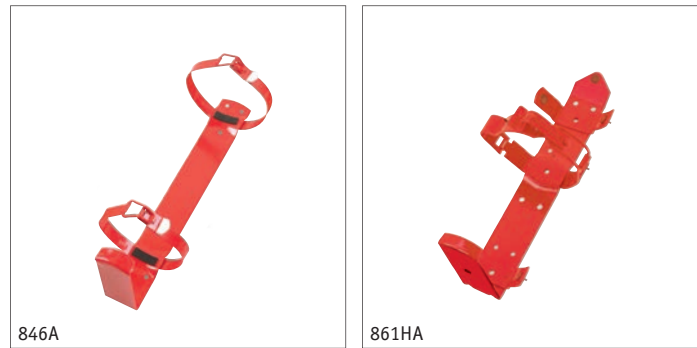
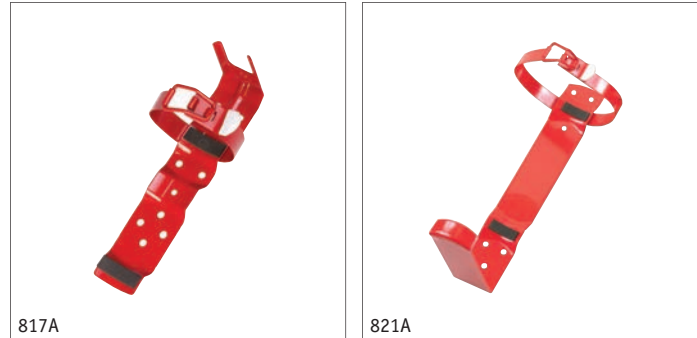
P/N	DESCRIPTION
IBA1	"I" Beam Adapter (Only)
IBA2	Screws, Pkg/100



VEHICLE, SPRING CLIP, AND HEAVY-DUTY BRACKETS

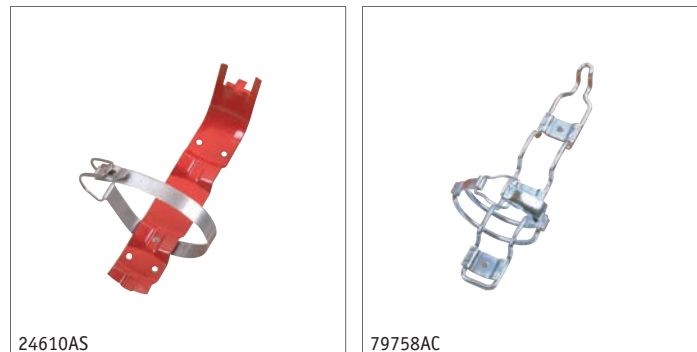
VEHICLE BRACKETS. Amerex.

P/N	DESCRIPTION
817A	Amerex Bracket For 2.5 lb Extinguishers
817SA	Amerex Bracket For 2.5 lb Extinguishers w/ Double Strap
818A	Amerex Bracket For 5 lb Extinguishers
818SA	Amerex Bracket For 5 lb Extinguishers w/ Double Strap
821A	Amerex Bracket For 5 lb Extinguishers
808A	Amerex Bracket For 6 lb Extinguishers
846A	Amerex Bracket For 10 lb Extinguishers
861HA	Amerex Bracket For 5 lb Extinguishers
860A	Amerex Bracket For 3"-4 1/4" Dia Shells w/ Cord
862A	Amerex Bracket For 5"-7" Dia Shells w/ Cord
864A	Amerex Bracket For 7"-8" Dia Shells w/ Cord
7166A	Replacement Cord For 860A & 862A
7802A	Replacement Cord For 864A
RG	Heavy-Duty Rubber Grommet



VEHICLE BRACKETS. Ansul.

P/N	DESCRIPTION
24610AS	Ansul Sentry Bracket For 2.5 & 2.75 lb Extinguishers
415824AS	Ansul Sentry Bracket For 5 lb Extinguishers (Current Models)
429146AS	Ansul Sentry Bracket For 5 lb Extinguishers ("SY" Models, Except SY-0515)
79758AC	Ansul Bracket For 5 lb Cartridge-Operated Extinguishers



Ansul® and Sentry® are registered marks of Tyco Fire Products LP.

In Use photos may show items not included or available separately.

11 FIRE EXTINGUISHER PARTS



MB250



700270W In Use

VEHICLE BRACKETS. Badger and Buckeye.

P/N	DESCRIPTION
MB250	Badger Bracket For 2.5 & 2.75 lb Extinguishers
MB5	Badger Bracket For 5 lb Extinguishers
700287W	Buckeye Bracket For 2.5 lb Extinguishers
700270W	Buckeye Bracket For 5 lb Extinguishers
700430W	Buckeye Bracket For Tall 10 lb Extinguishers



466400K, 466401K



21009952K In Use

VEHICLE BRACKETS. Kidde.

P/N	DESCRIPTION
466400K	Kidde Bracket For 5 & 6 lb Extinguishers
466401K	Kidde Bracket For 2.5 & 2.6 lb Extinguishers

Made to fit a rectangular forklift support, this **FORKLIFT BRACKET** is ideal for hanging an extinguisher.

NOTE: Requires a strap bracket (not included) to secure an extinguisher.

P/N	DESCRIPTION
21009952K	Forklift Bracket

VEHICLE BRACKETS. Universal.

P/N	DESCRIPTION
UPB25	Universal Bracket For 2.5 & 2.75 lb Extinguishers
UPB5	Universal Bracket For 5 & 6 lb Extinguishers



UPB25



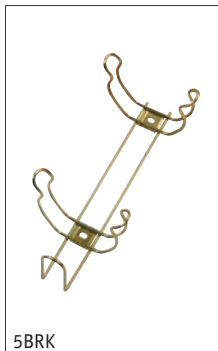
UPB5

SPRING CLIP BRACKETS

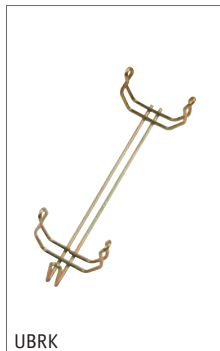
P/N	DESCRIPTION
2SC	Spring Clip Bracket For 2.5 lb CO ₂ Extinguishers
4SC	Spring Clip Bracket For 5 & 6 lb D/C, Halon, & CO ₂ Extinguishers
15SC	Spring Clip Bracket w/ Hanger For 10 & 15 lb D/C, Halon, & CO ₂ Extinguishers



4SC



5BRK



UBRK

SPRING CLIP BRACKETS

P/N	DESCRIPTION
UBRK	Spring Clip Bracket For 2.5 & 2.75 lb D/C & Halon Extinguishers
5BRK	Spring Clip Bracket For 5 & 6 lb D/C & Halon Extinguishers
HWC5	Spring Clip Bracket For 5"-5½" Dia Shells



HWC5



25UPB

PLASTIC UNIVERSAL SPRING CLIP BRACKETS

P/N	DESCRIPTION
25UPB	Universal Spring Clip Bracket Fits 2.5 lb Extinguishers
5UPB	Universal Spring Clip Bracket Fits 5 lb Extinguishers
10UPB	Universal Spring Clip Bracket Fits 10 lb Extinguishers

Featuring welded-steel construction, these **VEHICLE BRACKETS** will not vibrate apart.

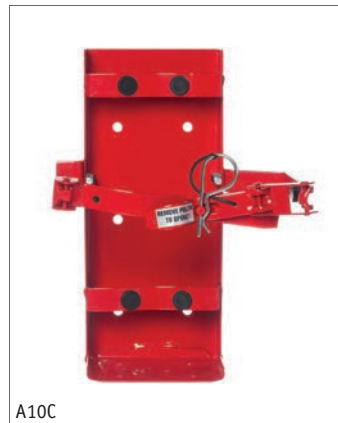
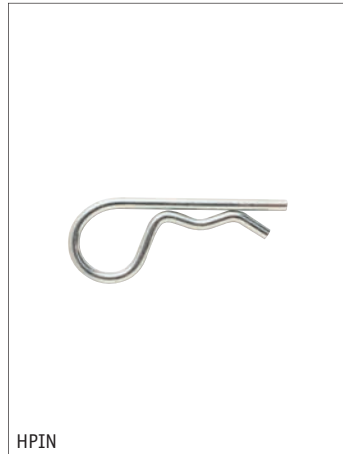
P/N	DESCRIPTION
5DC	Running Board Bracket For 4 ¹ / ₄ "-4 ¹ / ₂ " Dia Shells
807A	Amerex Heavy-Duty Bracket For 4 ¹ / ₄ " Dia Shells
5HB	Running Board Bracket For 4 ⁷ / ₈ "-5 ⁵ / ₈ " Dia Shells
809A	Amerex Heavy-Duty Bracket For 5" Dia Shells
AX809G	Amerex Heavy-Duty Bracket, Galvanized For 5" Dia Shells
10HB	Running Board Bracket For 5 ³ / ₄ "-6 ¹ / ₄ " Dia Shells
366242K	Badger/Kidde Heavy-Duty Bracket For 5 ⁷ / ₃₂ " Dia Shells
15HB	Running Board Bracket For 6 ¹ / ₂ "-7" Dia Shells
810A	Amerex Heavy-Duty Bracket For 7" Dia Shells
AX810G	Amerex Heavy-Duty Bracket, Galvanized For 7" Dia Shells
AX810CG	Amerex Heavy-Duty Bracket – USCG Models For Models B250CG, B260CG, & B262CG
292474K	Badger/Kidde Heavy-Duty Bracket For 7"-7 ¹ / ₆₄ " Dia Shells
15HBL	Running Board Bracket For 7 ¹ / ₄ "-7 ¹ / ₂ " Dia Shells
20HB	Running Board Bracket For 7 ³ / ₄ "-8" Dia Shells
811A	Amerex Heavy-Duty Bracket For 8" Dia Shells
AX811G	Amerex Heavy-Duty Bracket, Galvanized For 8" Dia Shells
RG	Heavy-Duty Rubber Grommet

VEHICLE BRACKETS for **Ansul** and **General** have steel-bolted construction and include hasps and latch pins. Brackets will not vibrate open (pin must be removed to free extinguisher).

P/N	DESCRIPTION
A10C	10 lb Cartridge-Operated Extinguisher Bracket Ansul Compatible
AG20C	20 lb Cartridge-Operated Extinguisher Bracket Ansul & General Compatible
AG30C	30 lb Cartridge-Operated Extinguisher Bracket Ansul & General Compatible
AGRG	Heavy-Duty Rubber Grommet For Cartridge Bracket
HPIN	"Hair Pin" Clips, Pkg/5

These **VEHICLE BRACKETS** are designed for **Badger™ Brigade** cartridge-operated models.

P/N	DESCRIPTION
466541B	Badger 10 lb Cartridge-Operated Extinguisher Bracket
466542B	Badger 20 lb Cartridge-Operated Extinguisher Bracket
466543B	Badger 30 lb Cartridge-Operated Extinguisher Bracket





FES1 In Use



FES3 In Use

Make moving fire extinguishers from jobsite to jobsite easy with this **PORTABLE EXTINGUISHER STAND** from **FireTech™**. It holds a 5, 10, or 20 lb dry chemical extinguisher and has a molded-in handle for ease of movement, and a large 2½" fill hole for the addition of sand (up to 35 lb). Constructed of red powder-coated steel, it is pre-drilled for a fire extinguisher wall hook. 48"H x 16"W x 16"D.

NOTE: Sand not included.

P/N	DESCRIPTION
FES1	Portable Extinguisher Stand

The stackable **FireTech™ FES3 PORTABLE FIRE EXTINGUISHER STAND** accommodates larger extinguishers. Its 8"x 8" recessed cup holds 5 lb–30 lb and 2.5 gal water stored pressure extinguishers. Made of UV-stabilized HDPE plastic, it is ideal for indoor/outdoor use. Plus its 20½" x 20½" base offers superior stabilization. Meets OSHA construction and temporary extinguisher location requirements too. 32"H x 20½"W x 20½"D. Red.

NOTE: Includes two BL135W cabinet signs (for optional use).

P/N	DESCRIPTION
FES3	Extinguisher Stand



FGSWC10 In Use



FMRGC In Use

PORTABLE EXTINGUISHER CABINETS & STANDS solve the problem of locating fire extinguishers on jobsites, project areas, and in remote locations. Constructed from rust/fade-proof materials that meet Cal and OSHA requirements, these cabinet/stand combos come with handles for convenient carry. Other standard features include scored break fronts, cylinder locks, heavy-duty rubber stand bases, informational decals, and stackable storage/transport. 43"H x 20"W x 20"D. White/Red.

P/N	DESCRIPTION
FGSWC10	Portable Cabinet & Stand, 10 lb
FGSWC20	Portable Cabinet & Stand, 20 lb

The **Original Firemate** is a stackable **PORTABLE FIRE EXTINGUISHER STAND** that is made of tough HDPE plastic. The stand holds 5, 10, or 20 lb extinguishers and its wide base resists tipping. Meets OSHA requirements. 8"H x 7½"W x 6"D recess for extinguisher. 34"H x 21"W x 21"D. Red.

P/N	DESCRIPTION
FMRGC	Extinguisher Stand

Amerex's HEAVY-DUTY DOLLY CART moves larger, heavier extinguishers with ease. Fits cylinders 7"–8" in diameter.

P/N	DESCRIPTION
859A	Heavy-Duty Dolly Cart



859A



FES2 w/ FGC26 In Use

The **FireTech™ FIBERGLASS STAND** is designed for use with the **FGC26 Fiberglass Cabinet** (not included). Its red finish perfectly matches this cabinet, and it comes with four pre-drilled holes for permanent attachment to docks or other locations, or sand can be added for temporary placement. Mounting holes and hardware for attaching the cabinet to the stand are standard. 8¼" x 11¾" top surface. 27½"H x 15½"W x 15½"D. Red.

P/N	DESCRIPTION
FES2	Fiberglass Stand For FGC26 Cabinet

FIRE EXTINGUISHER PICTOGRAMS

DRY CHEMICAL

400, 400T, 403, 403T, 409T, 410T, 416T, 417, 417T, 425, 425T, 442, 443, 453, 454, 456, 459, 479T, 500, 500T

HALON 1211

344, 344T, 352, 354A, 355T, 358

FIG.	P/N	SERVICE & MAINTENANCE PART DESCRIPTION
1	11823A	Valve Assembly All Dry Chemical
2		Pull Pin (See Page 248)
2A	532A	Chain (Nylon) For Pull Pin
3		Tamper Seal (See Page 246)
4	2625A	Lever & Rivet
5	1060A	Lever Rivet Only
6	G100H	Gauge - 100 (Halon) 344, 344T
6	G125H	Gauge - 125 (Halon) 352T, 355T
6	G195	Gauge - 195 All Dry Chemical
6	G195H	Gauge - 195 (Halon) 354A, 358
7	9001A	Handle & Rivet 344, 344T
8	1064A	Handle Rivet Only
9	5241A	Collar O-Ring
10	6092A	Valve Stem Assembly
12	1074A	Spring
13	1519A	Siphon Tube Assembly 456
13	6212A	Siphon Tube Assembly 409T, 425, 425T, 416T, 355T, 453, 479T, 500, 500T
14	2162A	Hose & Horn Assembly (.140) 454
14	5248A	Hose & Horn Assembly (.152) 479T, 500, 500T, 443
14	5564A	Hose & Horn Assembly (.191) 456
14	6215A	Hose & Horn Assembly (.147) 453
14	7641A	Hose & Horn Assembly (.149) 400, 400T
14	1253A	Nozzle (.166) 425, 425T
14	1276A	Nozzle (.120) 410T
14	1926A	Nozzle (.129) 417, 417T
14	3211A	Nozzle (.120ST) 403T
14	3741A	Nozzle (.173P) 409T, 416T
14	7115A	Nozzle w/ O-Ring (.098) 352T, A352T
15	1532A	Hose Gasket O-Ring

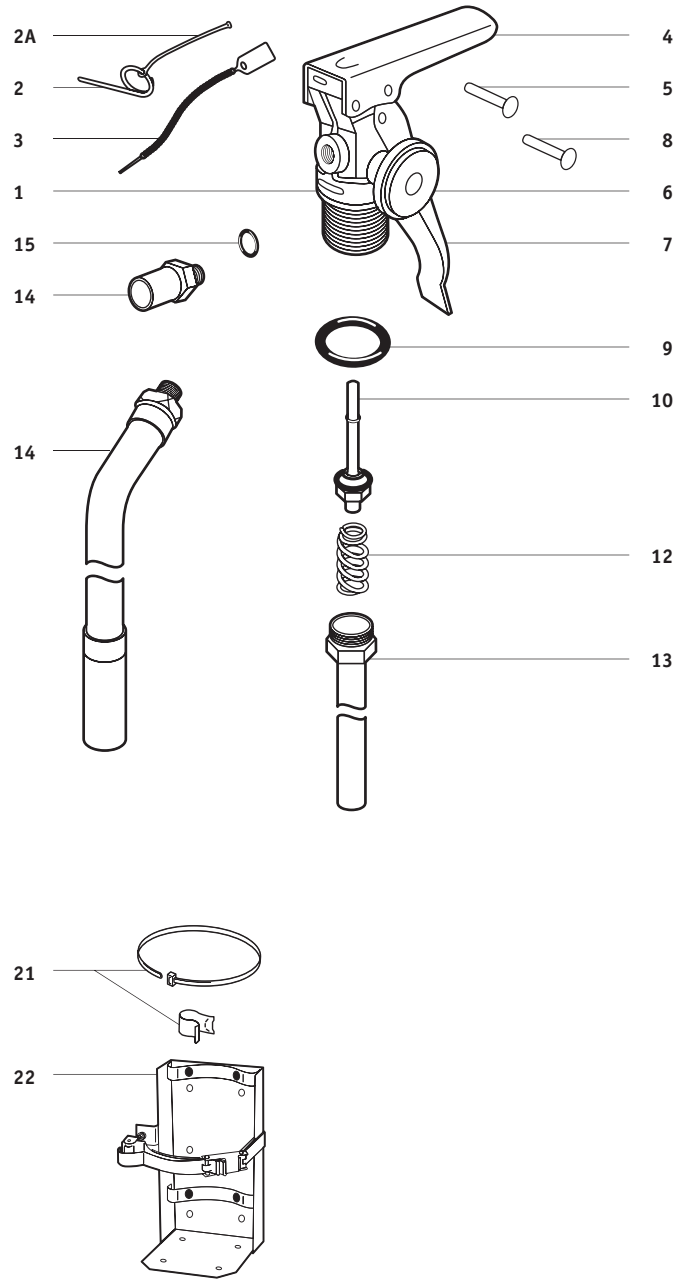
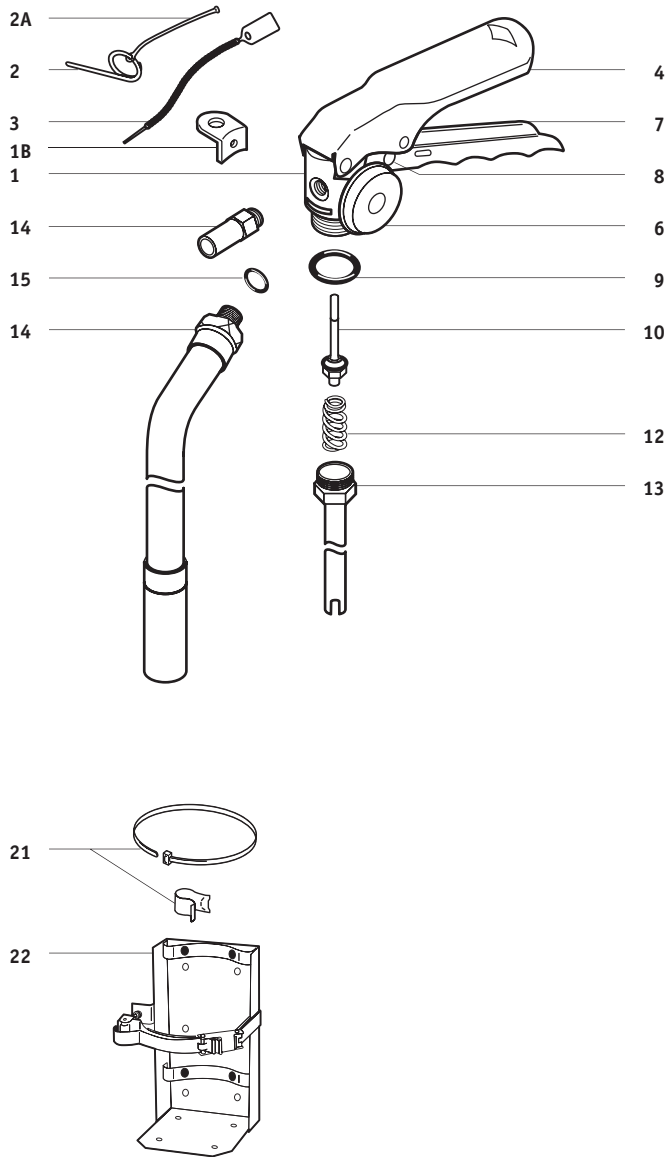


FIG.	P/N	ACCESSORY PART DESCRIPTION
21		Universal Hose Strap/Clip (See Page 254)
N/S	1521A	Wall Hanger 400, 425, 453, 479, 500
N/S	4834A	Wall Hanger 344, 417
N/S	5525A	Wall Hanger 442, 443, 454, 456, 459
N/S	861HA	Heavy-Duty Strap Bracket 355, 400, 409, 453, 479, 500
22	5DC	Heavy-Duty Vehicle Bracket 355, 400, 409, 453, 479, 500
22	5HB	Heavy-Duty Vehicle Bracket 443, 456
N/S	AD21	Recharge Adapter
N/S	HTA11	Hydrostatic Test Adapter

11 AMEREX - FIRE EXTINGUISHER PARTS



DRY CHEMICAL

A400, A400T, A402, A402T, A403T, A409T, A410T, A411, A412, A413, A416T, A417, A417T, A443, A453, A456, A457, A459, A479T, A500, A500T, A620T, B402, B402T, B403T, B409T, B410T, B416T, B417, B417T, B443, B456, B457, B459, B453, B479T, B500, B500T

HALON 1211

A352T, A354A, C354, A355, A355T, B355T, C352T

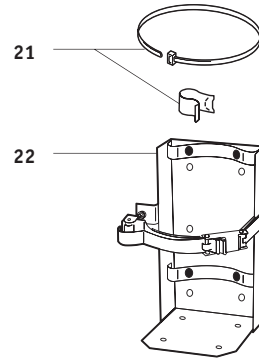
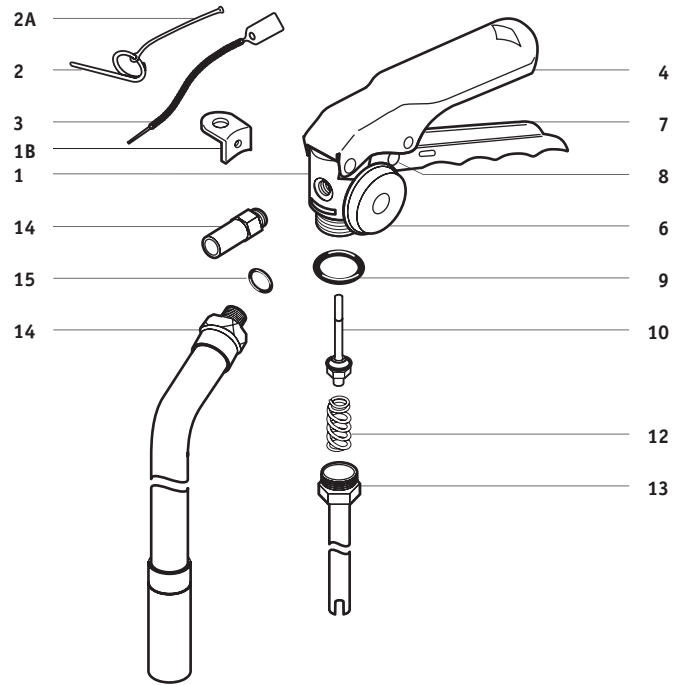
HALOTRON I

A384T, A385TS, A386T, B385TS, B386T, B394TS

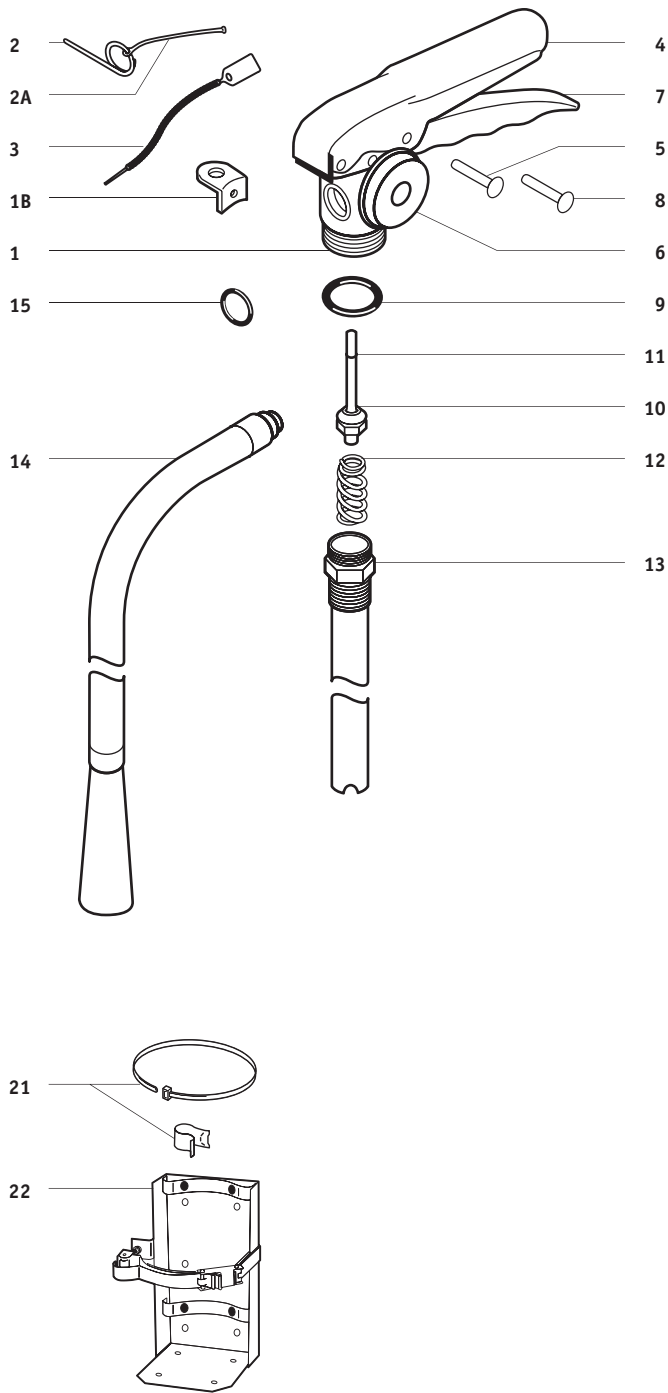
FIG.	P/N	SERVICE & MAINTENANCE PART DESCRIPTION
1	11823A	Valve Assembly All Dry Chemical, Except 20 lb, A620T
1	11824A	Valve Assembly 20 lb
1B	14220A	Hanger Loop w/ Screw
2		Pull Pin (See Page 248)
2A	532A	Chain (Nylon) For Pull Pin
3		Tamper Seal (See Page 246)
4	11825A	Lever & Rivet All, Except A384T
N/S	1060A	Lever Rivet Only
6	G195	Gauge - 195 All Dry Chemical
6	G125H	Gauge - 125 (Halon)
6	G195H	Gauge - 195 (Halon) A354A, C354
6	G100T	Gauge - 100 (Halotron I) A385TS, A386T
6	G125T	Gauge - 125 (Halotron I) A384T
7	11826A	Handle & Rivet All, Except A620T, A411, A412, A413, A384T
7	12405A	Handle & Rivet A411, A412, A413
8	1064A	Handle Rivet Only All, Except A411, A412, A413
9	5241A	Collar O-Ring All Dry Chemical, Halon 1211
9	14268A	Collar O-Ring (Green) All Halotron I
10	6092A	Valve Stem Assembly All Dry Chemical, Halon 1211
10	14327A	Valve Stem Assembly (Green Seal) All Halotron I
12	1074A	Spring
13	1519A	Siphon Tube Assembly A456, A457, B456, B457
13	11674A	Siphon Tube Assembly A411, A412, A413
13	6212A	Siphon Tube Assembly A402, A402T, A409T, A355T, A453, A479T, A500, A500T, A386T, B402, B402T, B403T, B409T, B410T, B416T, B417, B417T, B453, B479T, B500, B500T, B385TS, B386T
14	11221A	Hose & Horn Assembly (.209) A411
14	5248A	Hose & Horn Assembly (.152) A479T, A443, B479T, B443
14	5564A	Hose & Horn Assembly (.191) A456, A457, B456, B457
14	6215A	Hose & Horn Assembly (.147) A453, A500, A500T, B453, B500, B500T
14	7641A	Hose & Horn Assembly (.149) A400, A400T
14	14849A	Hose & Horn Assembly (.157) A402, A402T, B402, B402T
14	1276A	Nozzle (.120) A410T, B410T
14	1926A	Nozzle (.129) A417, A417T, B417, B417T
14	3211A	Nozzle (.120ST) A403T, B403T
14	3741A	Nozzle (.173P) A409T, A416T, B409T, B416T
14	14407A	Nozzle (.121) A384T
14	14408A	Nozzle (.166) A385TS
14	14409A	Nozzle (.277) A386T

CONTINUED FROM PAGE 262

FIG.	P/N	SERVICE & MAINTENANCE PART DESCRIPTION
14	7115A	Nozzle w/ O-Ring (.098), Pkg/3 A352T
15	6978A	Hose Gasket (O-Ring) A411, A412, A413
15	1532A	Hose Gasket (O-Ring) All 5, 5.5, 6, 10lb
FIG.	P/N	ACCESSORY PART DESCRIPTION
21		Universal Hose Strap/Clip (See Page 254)
N/S	1521A	Wall Hanger A386T, A400, A402, A453, A479T, A500, B402*, B453, B479T, B500* (*Thru 2007)
N/S	16591A	Wall Hanger B402, B500 (2008 & Later)
N/S	4834A	Wall Hanger A384T, A385TS, A403T, A410T, A417, A620T, B403T, B410T, B417T
N/S	5525A	Wall Hanger A443, A456, A457, B456, B457
N/S	WH2	Wall Hanger A411, A412, A413
N/S	861HA	Heavy-Duty Strap Bracket A355, A400, A402, A409, A453, A479, A500
22	5DC	Heavy-Duty Vehicle Bracket A355, A400, A402, A409, A453, A479, A500, B402, B409, B453, B479, B500, B386T
22	5HB	Heavy-Duty Vehicle Bracket A443, A456, A457, B456, B457
22	15HB	Heavy-Duty Vehicle Bracket A411, A412, A413
N/S	AD21	Recharge Adapter All, Except A411, A412, A413
N/S	AD24	Recharge Adapter A411, A412, A413
N/S	HTA11	Hydrostatic Test Adapter



11 AMEREX - FIRE EXTINGUISHER PARTS



DRY CHEMICAL

408, 415, 418T, 419, 423, 424, 441, 447, 460, 461, 462, B424, B441, B447, B460, B461, B462, 692, 693

HALON 1211

357, 361, 369, B369, 371, B371, 372

HALOTRON I

387, 388, 397, 398

CLASS D

570, 571, B570, B571

FIG. P/N SERVICE & MAINTENANCE PART DESCRIPTION

1	11952A	Valve Assembly All Dry Chemical, Class D
1B	15363A	Hanger Loop w/ Screw B441, B447, B460, B461, B462, B371
2		Pull Pin, Stainless Steel (See Page 248)
2A	532A	Chain (Nylon) For Pull Pin
3		Tamper Seal (See Page 246)
4	7762A	Lever & Rivet
5	1563A	Lever Rivet Only
6	G195	Gauge - 195 All Dry Chemical, Class D
6	G125H	Gauge - 125 (Halon) 357
6	G195H	Gauge - 195 (Halon) 361, 369, B369, 371, B371, 372
6	G125T	Gauge - 125 (Halotron I) 387, 388, 397, 398
7	9020A	Handle & Rivets
8	1564A	Handle Rivet Only
9	5240A	Collar O-Ring All Dry Chemical, Halon 1211
9	13305A	Collar O-Ring (Green) All Halotron I
10	6093A	Valve Stem Assembly All Dry Chemical & Halon 1211
10	13288A	Valve Stem Assembly (Green Seals) All Halotron I
11	5243A	Valve Stem O-Ring
12	383A	Spring
13	1667A	Siphon Tube 408, 415, 423
13	2609A	Siphon Tube 441, 447, 460, B441, B447, B460
14	1178A	Hose & Horn Assembly (.173) 447, 441, B447, B441
14	1945A	Hose & Horn Assembly (.157) 424, B424
14	3339A	Hose & Horn Assembly (.174) 423
14	6095A	Hose & Horn Assembly (.152) 419, 460, B460
N/S	Z10744AD	Hose Assembly* 570, 571, B570, B571
N/S	Z9073AD	O-Ring* 570, 571, B570, B571
N/S	Z10800AD	Extension Applicator w/ Horn & Quick Connect* 570, 571, B570, B571
N/S	Z14595AD**	Horn* 570, 571, B570, B571
N/S	Z10802AD	Female Quick Connect* 570, 571, B570, B571
15	6978A	Hose Gasket (O-Ring)

FIG. P/N ACCESSORY PART DESCRIPTION

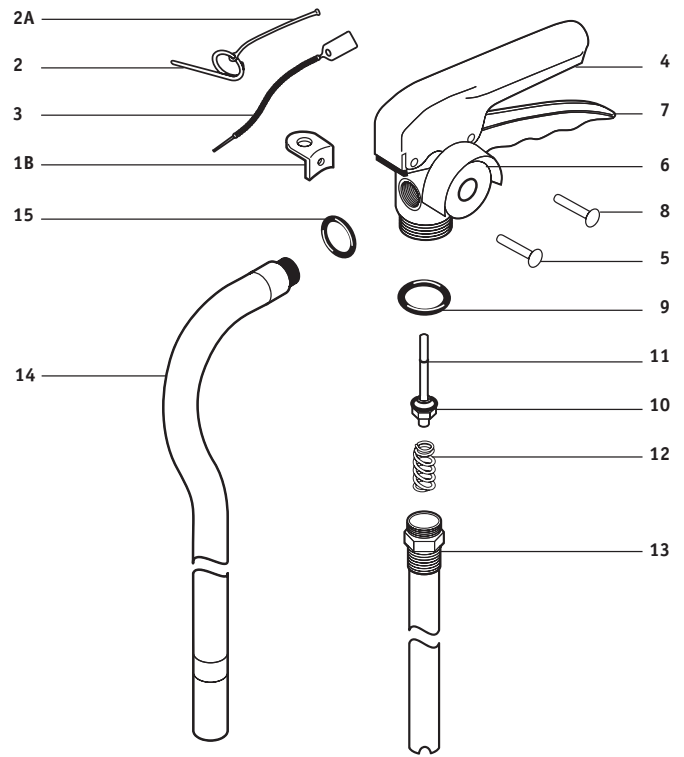
21		Universal Hose Strap/Clip (See Page 254)
N/S	WH2	Wall Hanger All, Except 418T, 387, 388
N/S	861HA	Heavy-Duty Strap Bracket 357, 424
22	5DC	Heavy-Duty Vehicle Bracket 357, 424
22	5HB	Heavy-Duty Vehicle Bracket 369, 371, 441, 447, 460, 461, 462
22	10HB	Heavy-Duty Vehicle Bracket 419
22	15HB	Heavy-Duty Vehicle Bracket 361, 372, 408, 415, 423
N/S	AD24	Recharge Adapter
N/S	HTA9	Hydrostatic Test Adapter

**WHILE QUANTITIES LAST!

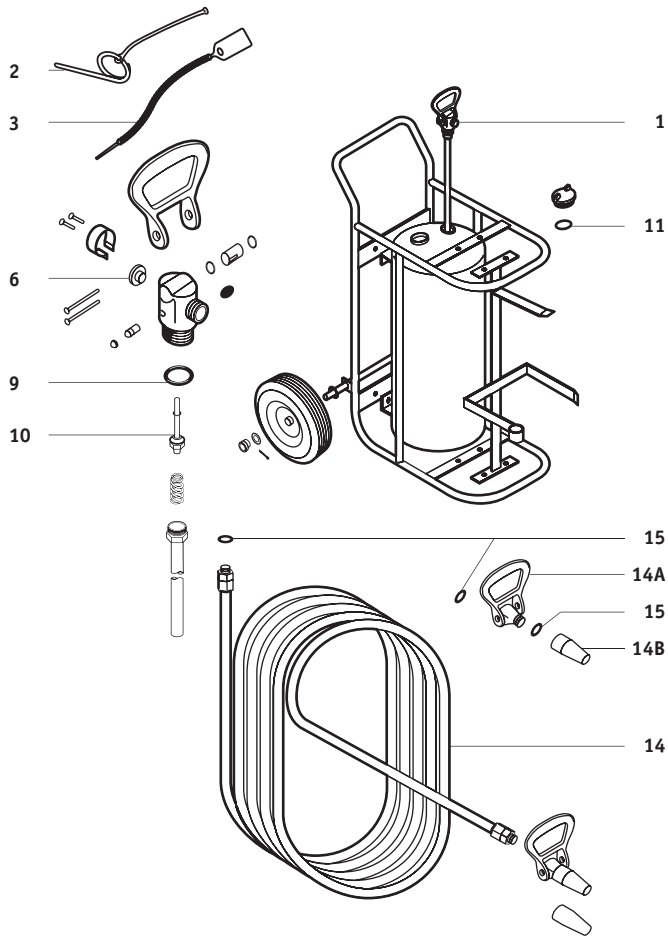
*NOTE: These parts fit extinguishers manufactured after Aug. 1991 and can be retrofitted to earlier models, provided that all parts are replaced.

DRY CHEMICAL (High Performance)
 564, 566, 567, 568, 569, 580, 581, 582, 584, 589, 591, 592, 594, 595, 599

FIG.	P/N	SERVICE & MAINTENANCE PART DESCRIPTION
1B	9584A	Hanger Loop w/ Screw
2		Pull Pin, Stainless Steel
2A	532A	Chain (Nylon) For Pull Pin
3		Tamper Seal (See Page 246)
4	9840A	Lever & Rivet
5	1563A	Lever Rivet Only
6	G240	Gauge - 240
7	9020A	Handle & Rivets
8	1564A	Handle Rivet Only
9	5240A	Collar O-Ring
10	6093A	Valve Stem Assembly
11	5243A	Valve Stem O-Ring
12	383A	Spring
13	1667A	Siphon Tube All 20 lb
14	14787A	Hose & Horn Assembly (.166) 564 (Oct. 1999 & Later)
14	14786A	Hose & Horn Assembly (.157) 566 (Oct. 1999 & Later)
14	14789A	Hose & Horn Assembly (.312) 567, 568, 569, 584 (Oct. 1999 & Later)
15	6978A	Hose Gasket (O-Ring)
FIG. P/N ACCESSORY PART DESCRIPTION		
N/S		Universal Hose Strap/Clip (See Page 254) All 1999 Later
N/S	AD36	Recharge Adapter All Prior to 1999
N/S	AD24	Recharge Adapter All 1999 Later
N/S	HTA9	Hydrostatic Test Adapter



11 AMEREX - FIRE EXTINGUISHER PARTS



DRY CHEMICAL
 476, 477, 478, 488, 489, 490
HALON 1211
 600, 610
HALOTRON I
 673, 674, 675, B674, B675

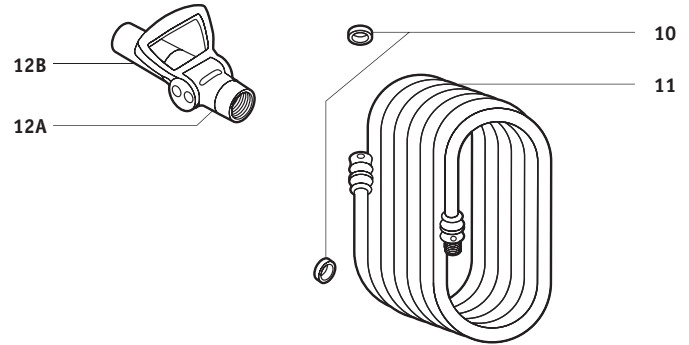
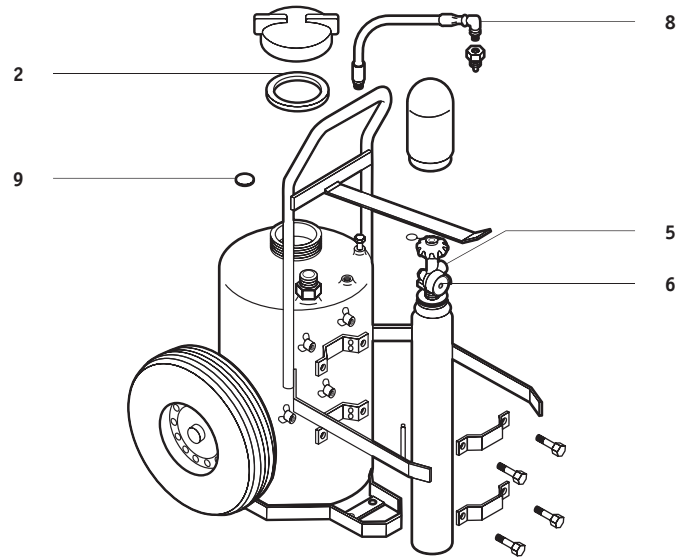
FIG.	P/N	SERVICE & MAINTENANCE PART DESCRIPTION
1	5197AD	Valve Assembly w/ Siphon Tube (Special Order) Dry Chemical
N/S	3787A	Safety Disc Assembly
2		Large Loop Pull Pin (See Page 248)
3		Tamper Seal (See Page 246)
6	G240	Gauge - 240 Dry Chemical
6	G100T	Gauge - 100 (Halotron I) 673
6	G125T	Gauge - 125 (Halotron I) 674, 675
9	5239A	Collar O-Ring Dry Chemical & Halon 1211
10	5067A	Valve Stem Assembly Dry Chemical & Halon 1211
11	8392A	Fill Cap Gasket Dry Chemical
14	3501AD	Hose, 3/4" x 50' (Special Order)
14A	6279A	Ball Valve
14B	6208A	Nozzle Tip (.328) 478, 490
14B	6355A	Nozzle Tip (.375) 600, 611
14B	6470A	Nozzle Tip (.344) 476, 477, 488, 489
14B	16674A	Nozzle Tip Halotron I (.344) 674, 675
15	3877A	Gasket
FIG.	P/N	ACCESSORY PART DESCRIPTION
N/S	AV1	Air Valve
N/S	5720A	Recharge/Hose Hydrotest Adapter
N/S	HTA24	Hydrotest Adapter Cylinder

CYLINDER OPERATED DRY CHEMICAL

450, 451, 452, 467, 468, 469, 470, 471, 472

FIG.	P/N	SERVICE & MAINTENANCE PART DESCRIPTION
2	2272A	Gasket, Cap
5	12467A	Nitrogen Valve w/ Gauge T-Handle, Quick-Release Valve
N/S	9897AD	Valve Stem Assembly T-Handle, Quick-Release Valve
6	G3000	Gauge - 3000
8	2234A	Nitrogen Hose Assembly 467, 468, 469, 470, 471, 472
8	3818AD	Nitrogen Hose Assembly 450, 451, 452
9	7411A	Moisture Seal
10	3877A	Gasket, Hose, & Nozzle
11	3501AD	Hose Assembly, 50' (Special Order)
12A	6279A	Ball Valve
12B	6032A	Nozzle Tip (.265) 467, 468, 469, 470, 471, 472
12B	6467A	Nozzle Tip (.312) 450, 451, 452

FIG.	P/N	ACCESSORY PART DESCRIPTION
N/S	4892A	Hydrostatic Test Adapter, Cylinder
N/S	5720A	Hydrostatic Test Adapter, Hose



DRY CHEMICAL

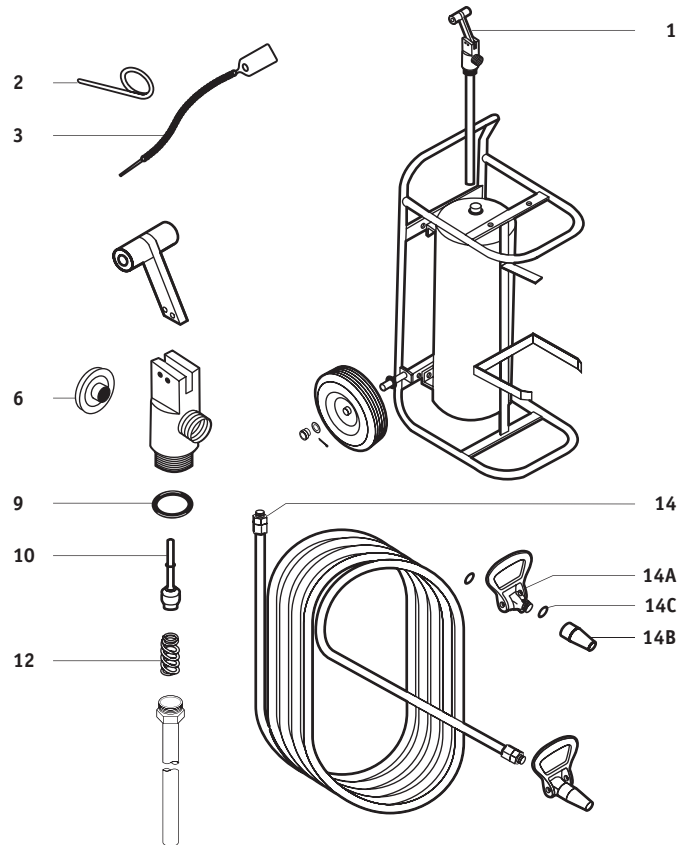
473, 474, 475, 495, 496, 497

HALON 1211

611, 695

FIG.	P/N	SERVICE & MAINTENANCE PART DESCRIPTION
1	Z6018AD	Valve Assembly w/ Siphon Tube (Special Order) Dry Chemical
2		Large Loop Pull Pin (See Page 248)
3		Tamper Seal (See Page 246)
6	G240	Gauge - 240 Dry Chemical
9	5240A	Collar O-Ring
10	6022A	Valve Stem Assembly
12	383A	Spring
14	6015A	Hose, 1/2" x 25' (Special Order)
14A	6031A	Ball Valve
14B	6032A	Nozzle Tip (.265) 474, 496, 611, 695
14B	6210A	Nozzle Tip (.281) 475, 497
14C	3877A	Gasket

FIG.	P/N	ACCESSORY PART DESCRIPTION
N/S	AV1	Air Valve
N/S	6160A	Recharge Adapter
N/S	HTA9	Hydrotest Adapter



CARBON DIOXIDE

322, 330, 331, 332

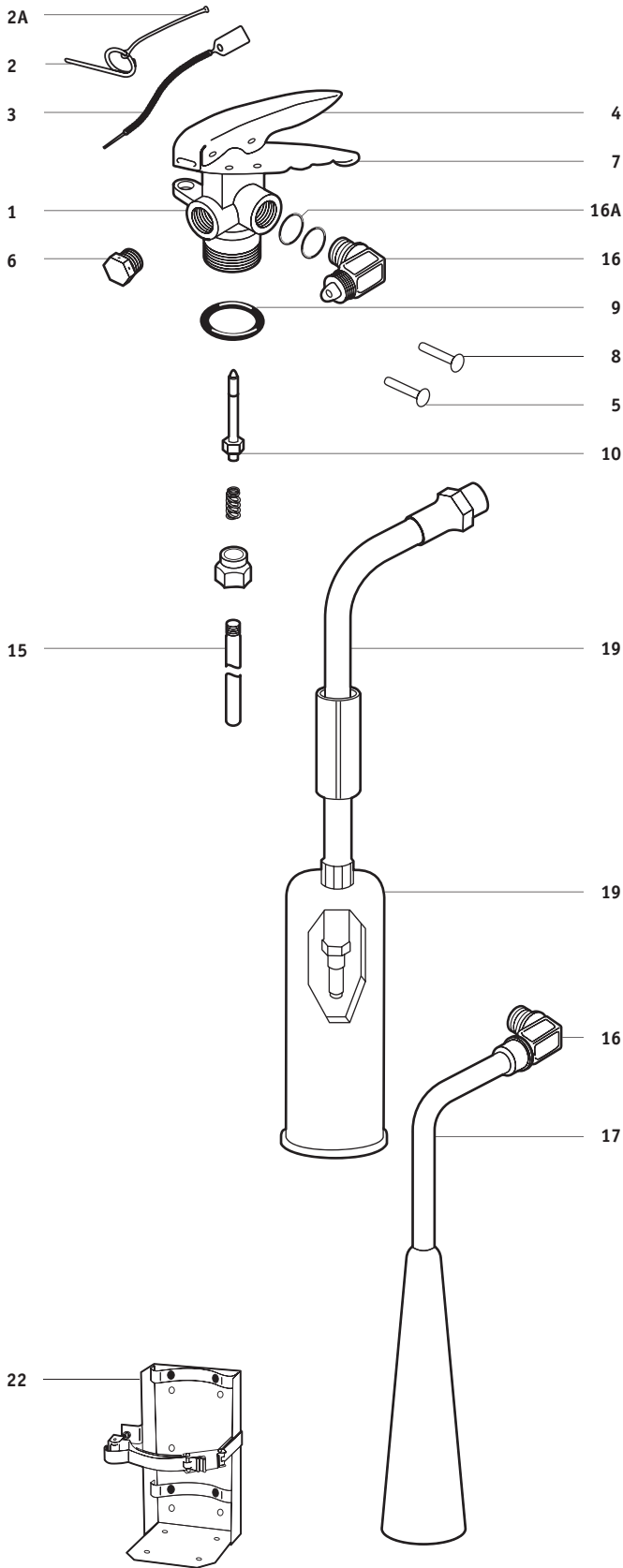


FIG.	P/N	SERVICE & MAINTENANCE PART DESCRIPTION
1	3090A	Valve Assembly w/o Elbow or Siphon Tube
2		Pull Pin, Stainless Steel (See Page 248)
2A	532A	Chain (Nylon) For Pull Pin
3		Tamper Seal (See Page 246)
4	7762A	Lever & Rivet
5	1563A	Lever Rivet Only
6	4000A	Safety Disc, Gasket, & Nut Assembly
7	9020A	Handle & Rivets
8	1564A	Handle Rivet Only
9	1124A	Collar O-Ring
10	1539A	Valve Stem Assembly
15	564A	Siphon Tube 330
9	15	589A Siphon Tube 331, 332
8	15	533A Siphon Tube 322
16	2309A	Elbow w/ O-Ring & Spacer 330, 331, 332
16	2735A	Elbow w/ O-Ring 322
16A	5689A	O-Ring For Elbow
17	1769A	Discharge Tube 322
19	1782A	Hose & Horn Assembly 330
19	1705A	Hose & Horn Assembly 331, 332

FIG.	P/N	ACCESSORY PART DESCRIPTION
N/S	AX20570	Strap & Clip 330, 331
N/S	AX20571	Strap & Clip 332
N/S	RDS20	Strap 332
N/S	RDS15	Strap 330, 331
N/S	RDBACLIP	Horn Clip 330, 331, 332
N/S	SET6	Hardware Set 330, 331, 332
N/S	BL209	Replacement Nameplate 5 lb (Non-UL) 322
N/S	BL210	Replacement Nameplate 10-20 lb (Non-UL) 330, 331, 332
N/S	WH5	Wall Hanger 322
N/S	WH15	Wall Hanger 330, 331
N/S	WH20	Wall Hanger 332
22	5HB	Heavy-Duty Vehicle Bracket 322
22	15HB	Heavy-Duty Vehicle Bracket 330, 331
22	20HB	Heavy-Duty Vehicle Bracket 332

WATER/FOAM/LOADED STREAM

240, 250, 250CG, 252, 254

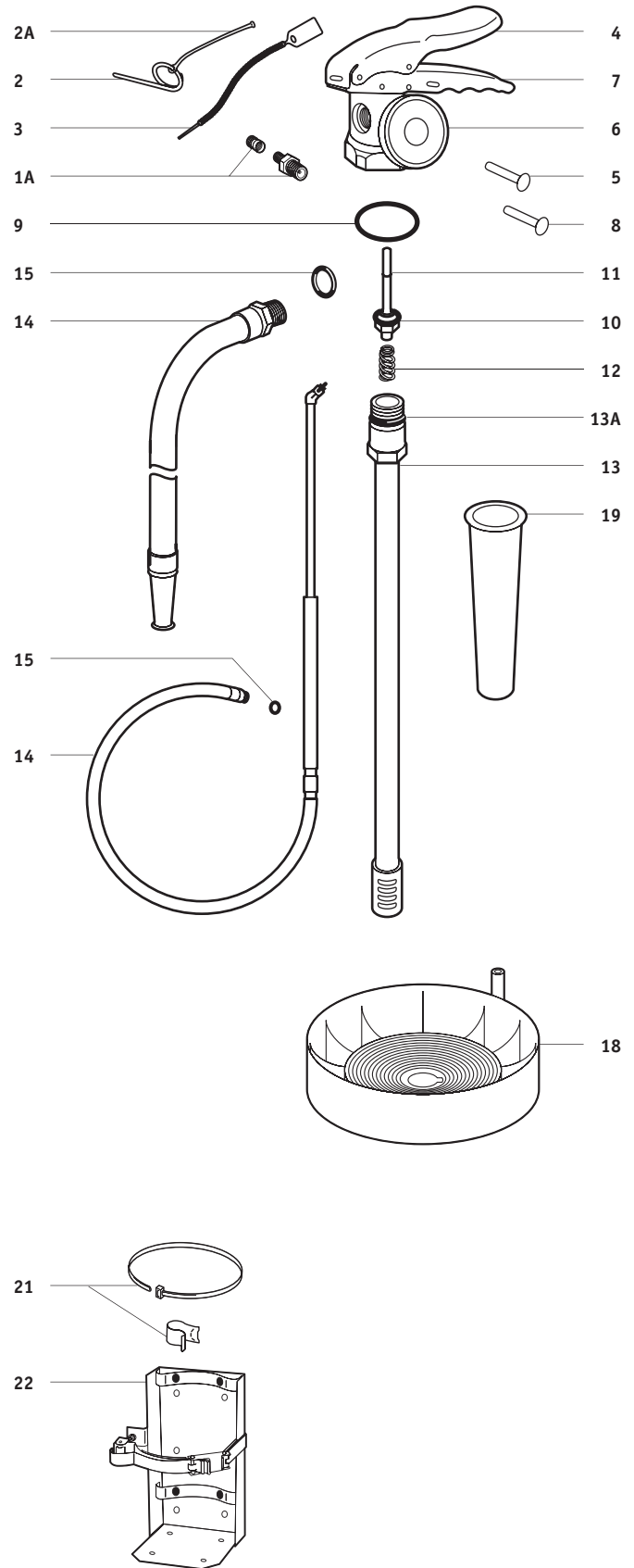
WET CHEMICAL

260, 262, B260, B262

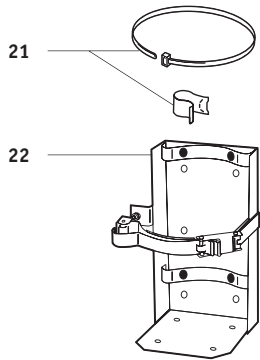
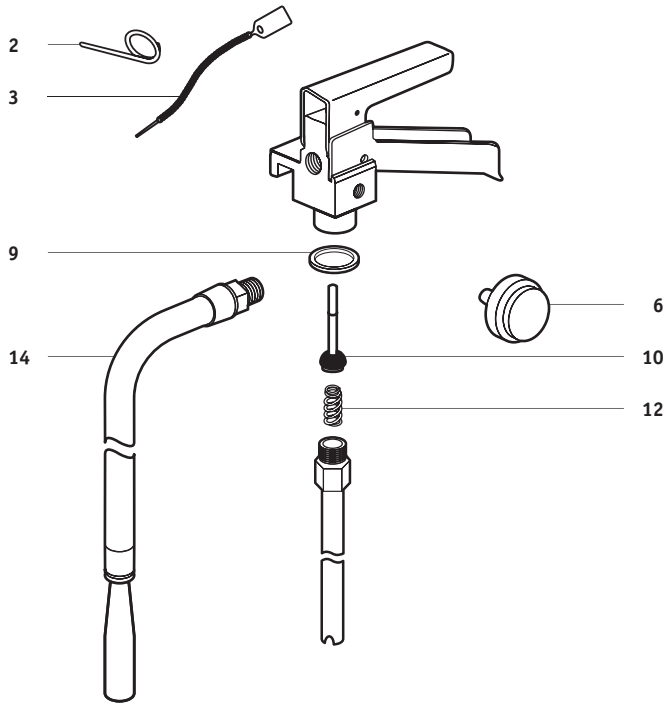
WATER MIST

270, 272, B270, B272, B270NM, B272NM

FIG.	P/N	SERVICE & MAINTENANCE PART DESCRIPTION
2		Pull Pin, Stainless Steel (See Page 248)
2A	532A	Chain (Nylon) For Pull Pin
3		Tamper Seal (See Page 246)
4	7762A	Lever & Rivet
5	1563A	Lever Rivet Only
6	G100WS	Gauge - 100 All, Except Wet Chemical Models
6	G100K	Gauge - 100 All Wet Chemical Models
7	9020A	Handle & Rivets
8	1564A	Handle Rivet Only
9	5240A	Collar O-Ring
10	6093A	Valve Stem Assembly All, Except Wet Chemical
10	14878A	Valve Stem Assembly All Wet Chemical
11	5243A	Valve Stem O-Ring
12	383A	Spring
13	15941A	Siphon Tube Assembly 254, 270, B270, B270NM
13	15943A	Siphon Tube Assembly 240, 250, 252, 272, B272, B272NM
13	16266A	Siphon Tube Assembly B260
13	16267A	Siphon Tube Assembly B262
13A	5690A	Siphon Tube O-Ring
14	14588A	Hose & Wand Assembly (Replaces 13576) 260, 262
14	16043A	Hose & Nozzle Assembly B260
14	16101A	Hose & Nozzle Assembly B262
14	6982A	Hose & Aspirated Nozzle Assembly 252
14	6999A	Hose & Nozzle Assembly 240
14	7000A	Hose & Aspirated Nozzle Assembly 250
14	14184A	Hose & Nozzle Assembly 272, B272, B272NM
15	6978A	Hose Gasket (O-Ring)
18	3109A	Foot Stand (Black) 260, 262, B260, B262
18	3576A	Foot Stand w/ Clip (Black) 240
18	3776A	Foot Stand w/ Post (Black) 250, 252
19	2595A	Fill Tube
N/S	AX502AR	Model 502, 23 oz, AR-AFFF Premix Charge 250, 250CG, 252, 254
N/S	AX506B2	Anti-Freeze Charge, Pkg/2
N/S	AX5302	Wet Chemical Recharge, 6 L
N/S	AX660	Wet Chemical Charge, 2.5 gal
N/S	AX6702	Deionized Water Charge, 6 L
N/S	AX6712	Deionized Water Charge, 2.5 gal
FIG.	P/N	ACCESSORY PART DESCRIPTION
1A	AV1	Pressure Valve & Cap Assembly
N/S	CORE	Pressure Valve Core, Pkg/50
N/S	AVC	Pressure Cap, Pkg/50
21	14838A	Hose Strap & Clip 270, 272, B270, B272, B270NM, B272NM
21	LCC38	Universal Hose Strap/Clip 260, 262, B260, B262
22	15HB	Heavy-Duty Vehicle Bracket
N/S	AD24	Recharge Adapter 250, 252, 254, 260, 262 (w/o Air Valves)
N/S	AD36	Recharge Adapter 270, 272, B260, B262, B270, B272, B270NM, B272NM
N/S	HTA10	Hydrostatic Test Adapter



11 ANSUL - FIRE EXTINGUISHER PARTS



DRY CHEMICAL

SY-0513, SY-0514, SY-0613, SY-0614, SY-0623, SY-0624, SY-0633, SY-0634, SY-1013, SY-1014, SY-1015, SY-1023, SY-1024, SY-1033, SY-1034, SY-2013, SY-2014, SY-2023, SY-2024, SY-2033, SY-2034

HALON 1211

SY-0541, SY-0942, SY-1441, SY-1741

CLEANGUARD (FE36)

CA-0581, CA-0681, CA-0981, CA-1081, CA-1381, CA-1481

FIG.	P/N	SERVICE & MAINTENANCE PART DESCRIPTION
2		Pull Pin (See Page 248)
3		Tamper Seal (See Page 246)
6	G100H	Gauge - 100 (Halon)
6	G125H	Gauge - 125 (Halon)
6	G195	Gauge - 195 All Dry Chemical
6	G195H	Gauge - 195 (Halon)
6	428940AS	Gauge (FE36) (Replaces 419493) All Cleanguard
9	16222AS	Collar Quad Ring All Dry Chemical
9	21882AS	Collar Quad Ring All Halon, Cleanguard
10	ASVS4	Valve Stem Assembly
12	29256AS	Spring
14	30617AS	Hose & Nozzle Assembly SY-2013, 2014, 2033, 2034
14	30618AS	Hose & Nozzle Assembly SY-2023, 2024

FIG.	P/N	ACCESSORY PART DESCRIPTION
21		Universal Hose Strap/Clip (See Page 254)
22	10HB	Heavy-Duty Vehicle Bracket 9-14 lb
22	15HB	Heavy-Duty Vehicle Bracket 17, 20 lb
N/S	ASWH2	Wall Hanger Up to 9 lb, SY-1015
N/S	ASWH3	Wall Hanger 10, 14 lb (Except SY-1015)
N/S	ASWH4	Wall Hanger 17, 20 lb
N/S	AD30	Recharge Adapter
N/S	HTA9	Hydrostatic Test Adapter

DRY CHEMICAL

SY-0212, SY-0214, SY-0215, SY-0216, SY-0236, SY-0515, SY-0516, SY-0517, SY-0521, SY-0531, SY-0635

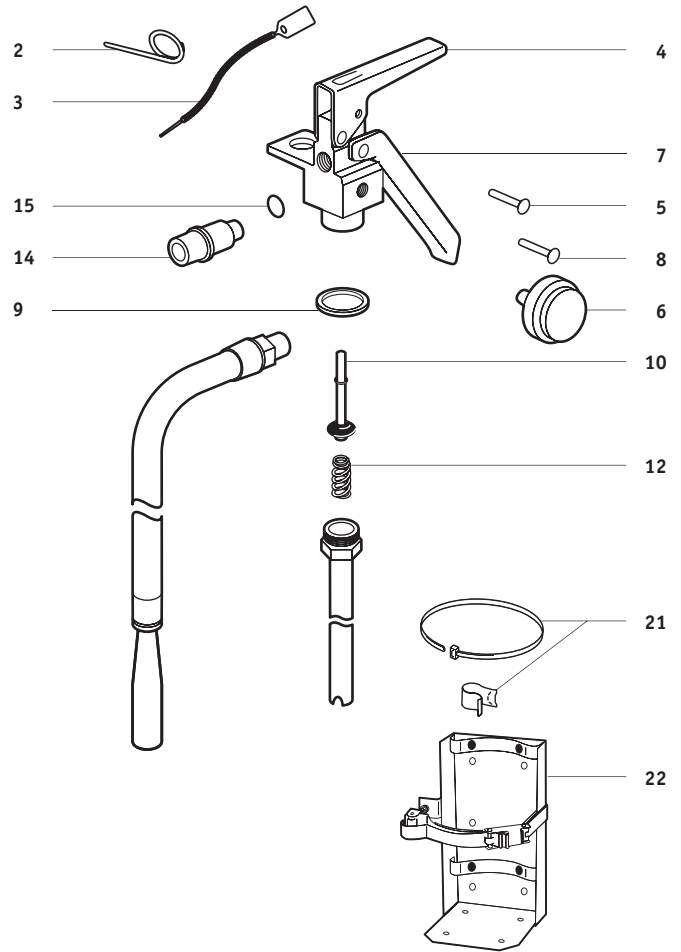
HALON 1211

SY-0241, SY-0242, SY-0243

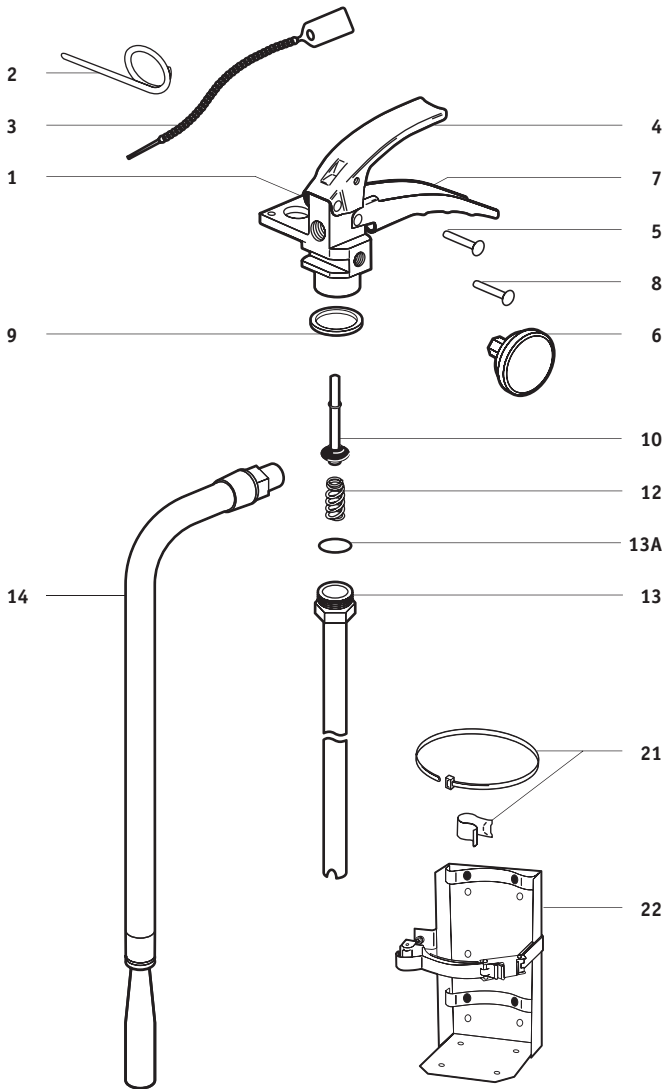
FIG.	P/N	SERVICE & MAINTENANCE PART DESCRIPTION
2		Pull Pin (See Page 248)
3		Tamper Seal (See Page 246)
4	ASL1	Lever (Replaces 68169)
5	25719AS*	Lever Rivet
6	G100H	Gauge - 100 (Halon) SY-0241, 0242, 0243
6	G195	Gauge - 195 All Dry Chemical
7	ASH1	Handle (Replaces 79119)
8	25720AS*	Handle Rivet
9	79122AS	Collar O-Ring (Replaces Quad-Ring 25765) Dry Chemical
10	ASVS5	Valve Stem Assembly All Dry Chemical, Except SY-0516, 0517, 0521, 0531
10	429099AS	Valve Stem Assembly SY-0516, 0517, 0521, 0531, SY-0241, 0242, 0243
12	415565AS	Spring SY-0516, 0517, 0521, 0531
14	ASN1	Nozzle (Replaces 27099) SY-0212, 0214, 0215, 0216
15	16047AS	O-Ring, Nozzle SY-0212, 0214, 0215, 0216, 0236, 0515

*WHILE QUANTITIES LAST!

FIG.	P/N	ACCESSORY PART DESCRIPTION
21		Universal Hose Strap/Clip (See Page 254)
N/S	24610AS	Bracket Assembly SY-0212, 0214, 0216, 0236
N/S	415824AS	Bracket Assembly SY-0516, 0517, 0521, 0531
22	5DC	Heavy-Duty Vehicle Bracket SY-0516, 0517, 0521, 0531
N/S	AD22	Recharge Adapter SY-0212, 0214, 0215, 0216, 0236, 0515
N/S	AD35	Recharge Adapter SY-0516, 0517, 0521, 0531
N/S	HTA11	Hydrostatic Test Adapter



11 ANSUL - FIRE EXTINGUISHER PARTS



DRY CHEMICAL

A10I, AA10SI, PK10I, PK10SI, A20I, AA20I-1, PK20I

FIG. P/N SERVICE & MAINTENANCE PART DESCRIPTION

2		Pull Pin (See Page 248)
3		Tamper Seal (See Page 246)
4	428428AS	Lever
5	428130AS	Lever Rivet
6	G195	Gauge - 195
7	428429AS	Handle
8	428130AS	Handle Rivet
9	428327AS	Collar O-Ring
10	428431AS	Valve Stem Assembly
12	415565AS	Spring
13	436843AS	Siphon Tube
		All 10 lb, Except AA10SI & PK10SI
13	437091AS	Siphon Tube
		AA10SI, PK10SI
13	436845AS	Siphon Tube
		All 20 lb
13A	76076AS	Siphon Tube O-Ring
14	428733AS	Hose & Nozzle Assembly
		A10I, C10I
14	428737AS	Hose & Nozzle Assembly
		A20I, AA20I-1
13A	428739AS	Hose & Nozzle Assembly
		PK20I

FIG. P/N ACCESSORY PART DESCRIPTION

21		Universal Hose Strap/Clip (See Page 254)
22	10HB	Heavy-Duty Vehicle Bracket
		All 10 lb
22	15HB	Heavy-Duty Vehicle Bracket
		All 20 lb
N/S	WH15	Wall Hanger
		All 10 lb
N/S	WH20	Wall Hanger
		All 20 lb
N/S	AD23	Recharge Adapter
N/S	HTA43	Hydrostatic Test Adapter

DRY CHEMICAL

A02, A02VB, A02S, A02SVB, C02, A05, A05VB, AA05, AA05VB, AA05-1, AA05-1VB, A05S, A05SVB, AA05S-1, AA05S-1VB, PK05, PK05S, C05, A10H, A10T, AA10S, PK10, PK10S, C10, C10S, AA20, AA20-1, PK20, C20

CLEANGUARD (FE36)
FE02VB, FE05, FE05S, FE09, FE13

FIG.	P/N	SERVICE & MAINTENANCE PART DESCRIPTION
1	429084ASD	Valve Assembly All 5 lb, Except A05S, AA05S-1, & Cleanguard
1	429085ASD	Valve Assembly A10H, C10, PK10
1	429087ASD	Valve Assembly All 20 lb
2		Pull Pin (See Page 248)
3		Tamper Seal (See Page 246)
4	429096AS	Lever All Except A02S, A02SVB
5	428130AS	Lever Rivet
6	G125	Gauge - 125 A02S, A02SVB
6	G195	Gauge - 195 All Dry Chemical Except A02S, A02SVB
6	426264AS	Gauge (FE36) FE02VB, FE05
6	428940AS	Gauge (FE36) FE09, FE13
7	429097AS	Handle All Except A02S, A02SVB
8	428130AS	Handle Rivet
9	428327AS	Collar O-Ring
10	429099AS	Valve Stem Assembly
12	415565AS	Spring
13	436841AS	Siphon Tube A02, A02VB, C02
13	436842AS	Siphon Tube A05, A05VB, AA05, AA05VB, AA05-1, AA05-1VB, PK05, C05
13	442367AS	Siphon Tube A05S, A05SVB, AA05S-1, AA05S-1VB, PK05S
13	436843AS	Siphon Tube A10H, PK10, C10
13	437091AS	Siphon Tube AA10S, PK10S, C10S
13	436845AS	Siphon Tube AA20, AA20-1, PK20, C20
13	428795AS	Siphon Tube FE02VB
13	428796AS	Siphon Tube FE05
13	442367AS	Siphon Tube FE05S
13	428797AS	Siphon Tube FE09
13	428799AS	Siphon Tube FE13
13A	76076AS	Siphon Tube O-Ring
14	428269AS	Nozzle A02, A02VB
14	442405AS	Nozzle A02S, A02SVB
14	428729AS	Hose & Nozzle Assembly AA05, AA05VB
14	428728AS	Hose & Nozzle Assembly A05, A05VB
14	434908AS	Hose & Nozzle Assembly AA05-1, AA05VB-1
14	442350AS	Hose & Nozzle Assembly A05S, A05SVB
14	442354AS	Hose & Nozzle Assembly AA05S-1, AA05S-1VB
14	428732AS	Hose & Nozzle Assembly A10T, A10H, C10, C10S
14	436592AS	Hose & Nozzle Assembly AA10S
14	428734AS	Hose & Nozzle Assembly PK10, PK10S

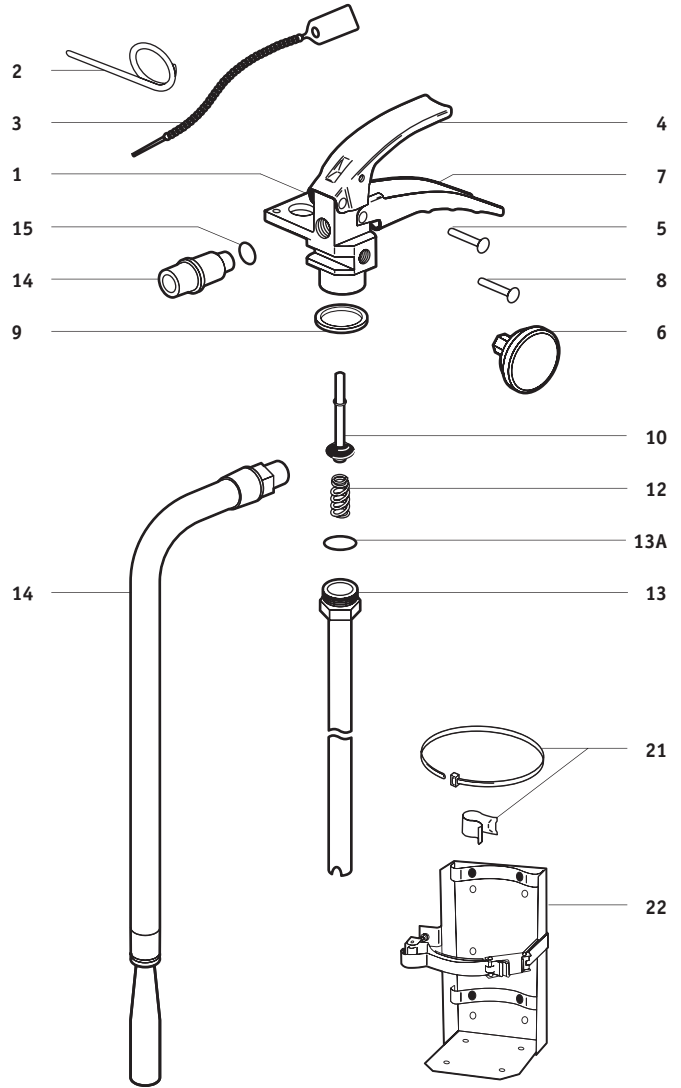
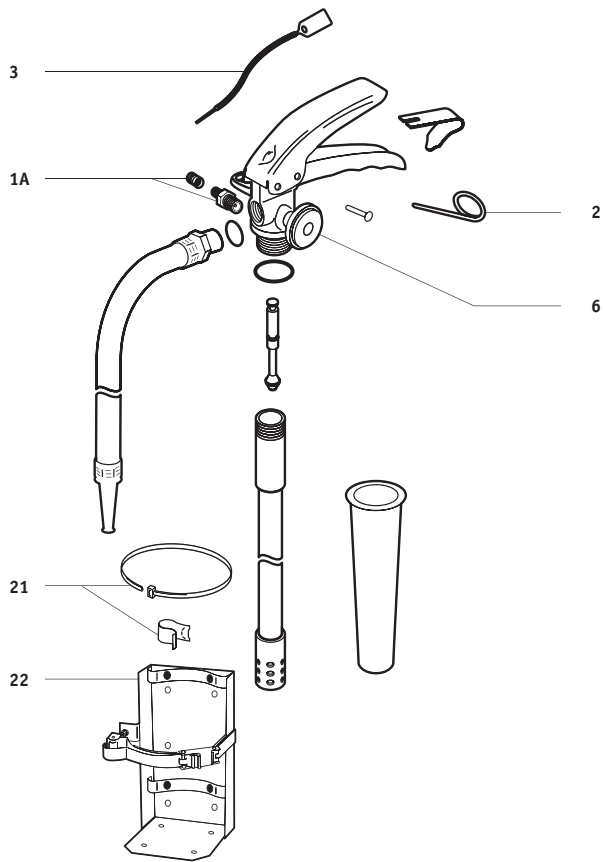


FIG.	P/N	SERVICE & MAINTENANCE PART DESCRIPTION
14	428736AS	Hose & Nozzle Assembly AA20, AA20-1
14	428738AS	Hose & Nozzle Assembly PK20
14	428740AS	Hose & Nozzle Assembly C20
15	57744AS	Nozzle O-Ring FE02VB

FIG.	P/N	ACCESSORY PART DESCRIPTION
21		Universal Hose Strap/Clip (See Page 254)
22	5DC	Heavy-Duty Vehicle Bracket 5 lb
22	10HB	Heavy-Duty Vehicle Bracket 9-14 lb
22	15HB	Heavy-Duty Vehicle Bracket 17, 20 lb
N/S	WH5	Wall Hanger Up to 9 lb
N/S	WH15	Wall Hanger 10, 14 lb
N/S	WH20	Wall Hanger 17, 20 lb
N/S	AD23	Recharge Adapter
N/S	AD38	Recharge Adapter A02S, A02SVB
N/S	HTA43	Hydrostatic Test Adapter

11 ANSUL - FIRE EXTINGUISHER PARTS



WATER & WET CHEMICAL

W02, K01

FIG. P/N SERVICE & MAINTENANCE PART DESCRIPTION

2		Pull Pin, Stainless Steel (See Page 248)
3		Tamper Seal (See Page 246)
6	G100WS	Gauge - 100
N/S	A430182	PRX Liquid Agent, 6 L K01
N/S	A423320	PRX Liquid Agent, 5 gal K01

FIG. P/N ACCESSORY PART DESCRIPTION

1A	AV1	Pressure Valve & Cap Assembly W02
N/S	CORE	Pressure Valve Core, Pkg/50 W02
N/S	AVC	Pressure Cap, Pkg/50 W02
21		Universal Hose Strap/Clip (See Page 254)
22	15HB	Heavy-Duty Vehicle Bracket
N/S	WH20	Wall Hanger
N/S	AD24	Recharge Adapter K01
N/S	HTA46	Hydrostatic Test Adapter
N/S	429656AS*	Service Manual (Wet Chemical)

*WHILE QUANTITIES LAST!

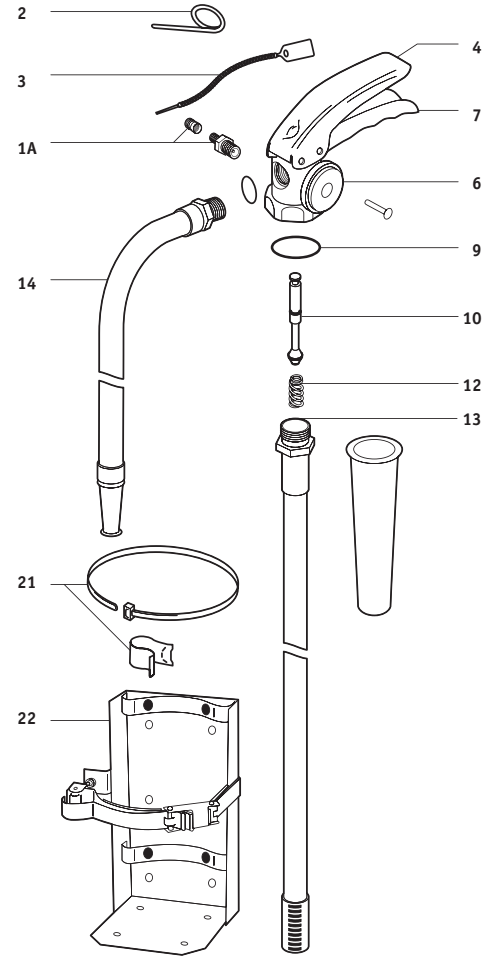
PRX® is a registered mark of Tyco Fire Products LP.

WATER & WET CHEMICAL

W02-1, K01-1, K01-2, K01-3

FIG.	P/N	SERVICE & MAINTENANCE PART DESCRIPTION
2		Pull Pin, Stainless Steel (See Page 248)
3		Tamper Seal (See Page 246)
4	430924AS	Lever
6	G100WS	Gauge - 100
7	430273AS	Handle
9	56909AS	Collar O-Ring
10	429099AS	Valve Stem Assembly
12	430004AS	Spring
13	439713AS	Siphon Tube
13	430793AS	Siphon Tube K01-1, K01-2, K01-3
14	439495AS	Hose & Nozzle Assembly W02-1
14	429543AS	Hose & Nozzle Assembly K01-1, K01-2, K01-3 W02-1
N/S	A430182	PRX Liquid Agent, 6 L K01-1
N/S	A423320	PRX Liquid Agent, 5 gal K01-1
N/S	A79372	Ansulex Chemical Agent, 3 gal K01-2
FIG.	P/N	ACCESSORY PART DESCRIPTION
1A	AV1	Pressure Valve & Cap Assembly W02-1
N/S	CORE	Pressure Valve Core, Pkg/50 W02-1
N/S	AVC	Pressure Cap, Pkg/50 W02-1
21		Universal Hose Strap/Clip (See Page 254)
22	15HB	Heavy-Duty Vehicle Bracket
N/S	WH2	Wall Hanger
N/S	AD24	Recharge Adapter K01-1, K01-2
N/S	429656AS*	Service Manual (Wet Chemical)

*WHILE QUANTITIES LAST!



Ansulex® and PRX® are registered marks of Tyco Fire Products LP.

11 ANSUL - FIRE EXTINGUISHER PARTS

CARTRIDGE OPERATED

All 10-30 lb E & G Series

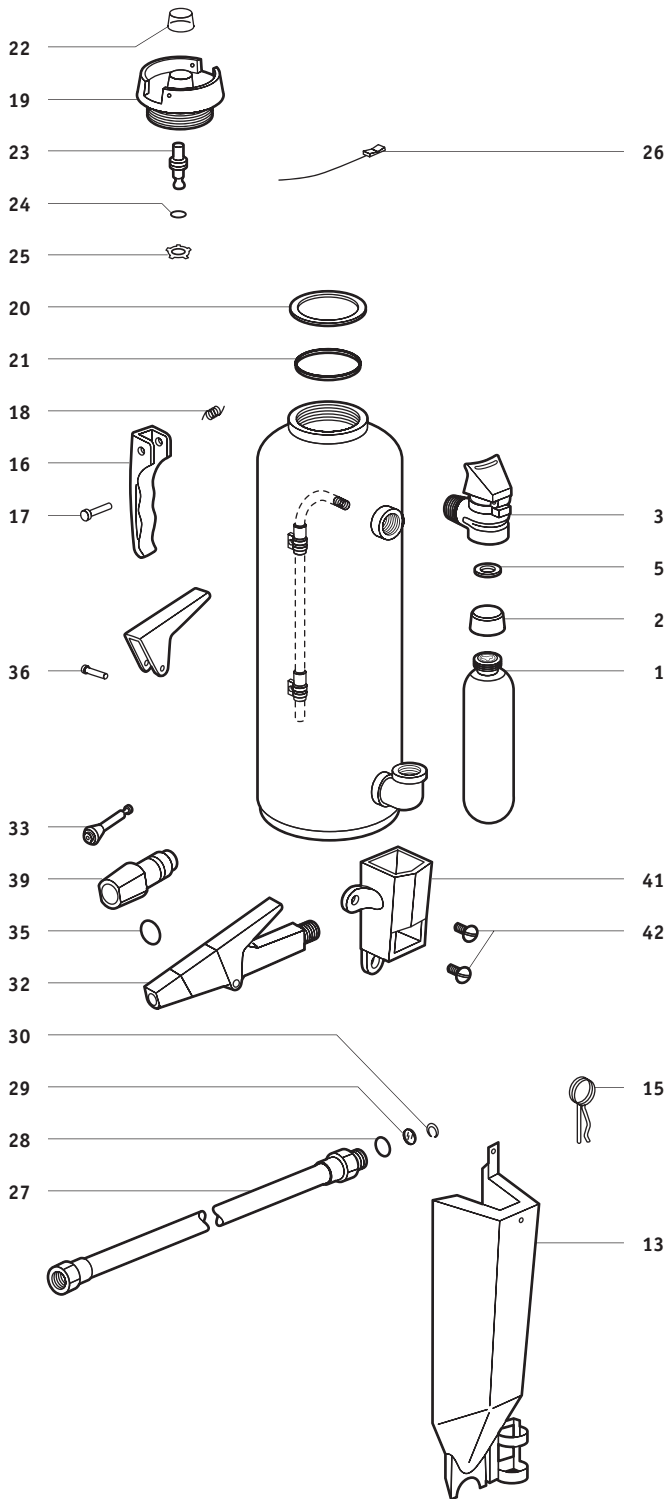


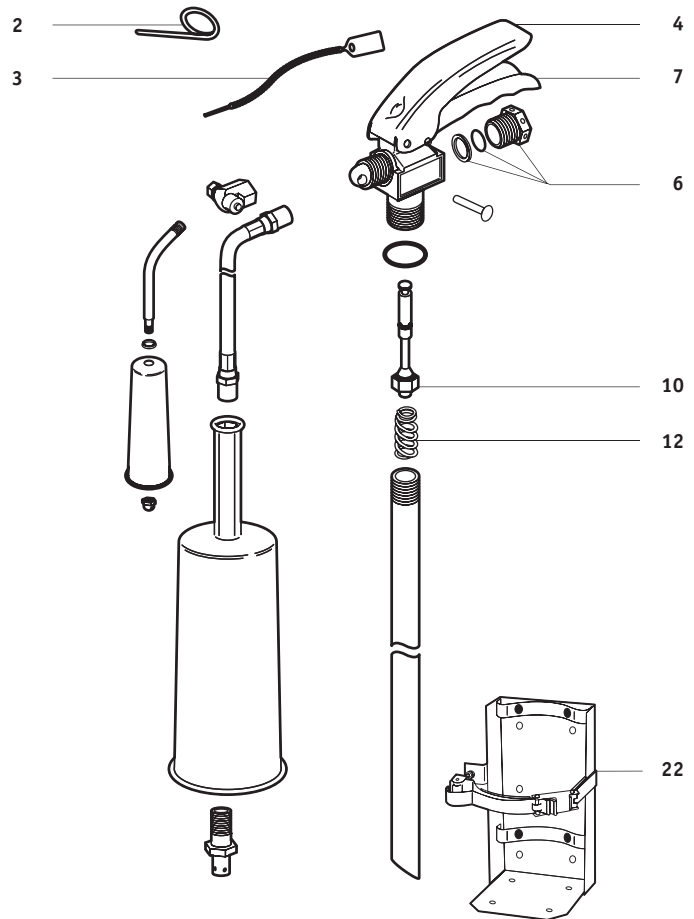
FIG.	P/N	SERVICE & MAINTENANCE PART DESCRIPTION
1	A5373	Cartridge, Nitrogen 30 lb LT, ML
1	A7032	Cartridge, Nitrogen 20 lb LT
1	4616AC	Cartridge, Carbon Dioxide All 10 lb, Except LT
1	4614AC	Cartridge, Carbon Dioxide All 20 lb, Except LT
1	4615AC	Cartridge, Carbon Dioxide All 30 lb, Except LT, ML
2		Cartridge Shipping Cap (See Page 249)
3	3626AC	Cartridge Receiver Assembly All, Except CR, LT, ML
5	181AC	Gasket, Cartridge Receiver
13	3652AC	Cartridge Guard Assembly, Metal All 10 lb E Series, Except CR, RP, LT
13	6287AC	Cartridge Guard Assembly, Metal All 30 lb E Series, Except CR, RP, LT
13	6302AC	Cartridge Guard Assembly, Metal All 20 lb E Series, Except CR, RP, LT
13	416346AC	Cartridge Guard Assembly, Plastic All 20 lb G Series, Except RP, LT
13	418025AC	Cartridge Guard Assembly, Plastic All 30 lb G Series, Except RP, LT
15	7066AC	Ring Pin
16	6169AC	Carrying Handle
17	1265AC	Carrying Handle Rivet
18	2902AC	Carrying Handle Spring
19	17999AC	Fill Cap Assembly w/ Indicator
20	6190AC	Fill Cap Gasket
21	6273AC	Fill Cap Quad Ring
22	17633AC	Cap, Plastic
23	27648AC	Indicator Stem
24	17630AC	Quad Ring
25	1239AC	Retaining Ring
26	VIS10	Visual Inspection Seal, Pkg/10
27	7083AC	30 lb Hose Assembly
27	7091AC	20 lb Hose Assembly
27	13005AC	10 lb Hose Assembly
28	6263AC	Hose O-Ring (10 lb)
28	6323AC	Hose O-Ring (20 lb)
28	6324AC	Hose O-Ring (30 lb)
29	415659AC	Hose Seal (10 lb G Series)
29	415660AC	Hose Seal (20 lb E & G Series)
29	415661AC	Hose Seal (30 lb G Series)
30	415855AC	Retaining Ring (10 lb G Series), Pkg/10
30	415856AC	Retaining Ring (20 lb E & G Series), Pkg/10
30	415857AC	Retaining Ring (30 lb G Series), Pkg/10
32	14045AC	Nozzle Assembly 30 lb Regular Dry Chemical
32	14551AC	Nozzle Assembly 20 lb Regular Dry Chemical
32	30778AC	Nozzle Assembly 30 lb ABC, PK
32	30789AC	Nozzle Assembly 20 lb ABC, PK
32	31407AC	Nozzle Assembly 10 lb ABC
33	56117AC	Nozzle Plunger
35	1230AC	Nozzle O-Ring (w/o O-Ring Groove)
35	3469AC	Nozzle O-Ring
36	3621AC	Nozzle Handle Rivet
39	17908AC	Nozzle Assembly Tip 20 lb Regular Dry Chemical
39	17932AC	Nozzle Assembly Tip 30 lb Regular Dry Chemical
39	30790AC	Nozzle Assembly Tip 20 lb ABC, PK
39	30791AC	Nozzle Assembly Tip 30 lb ABC, PK
41	74206AC	Nozzle Holder Assembly (E Series)
42	14908AC	Nozzle Platform Screw (E Series)
N/S	ACWH1	Hanger Hook
N/S	DCA	Discharge Adapter
N/S	CCW1	Cap Wrench
N/S	13133ACD	Cartridge Receiver Wrench
N/S	AGTSET	Hydrostatic Test Adapter Set
N/S		Vehicle Brackets (See Page 257)

CARBON DIOXIDE (w/ Flag Valve)

CD05, CD05A, CD10, CD10A, CD15, CD15A, CD20, CD20A, CD05-1, CD05A-1, CD10-1, CD10A-1, CD15-1, CD15A-1, CD20-1, CD20A-1

FIG.	P/N	SERVICE & MAINTENANCE PART DESCRIPTION
2		Pull Pin, Stainless Steel (See Page 248)
3		Tamper Seal (See Page 246)
4	441006AS	Lever (Black)
6	429515AS	Safety Disc, Gasket, & Nut Assembly
7	435291AS	Handle (Black)
10	441004AS	Valve Stem Assembly
12	415565AS	Spring (Coil Style)

FIG.	P/N	ACCESSORY PART DESCRIPTION
N/S	RDS15	Band 10, 15 lb Aluminum Cylinder
N/S	RDS20	Band 20 lb Aluminum Cylinder
N/S	RDBACLIP	Horn Clip All 10, 15, 20 lb
N/S	SET6	Hardware Set All 10, 15, 20 lb
N/S	BL209	Replacement Nameplate 5 lb (Non-UL) All 5 lb
N/S	BL210	Replacement Nameplate 10-20 lb (Non-UL) All 10, 15, 20 lb
N/S	WH5	Wall Hanger All 5 lb
N/S	WH15	Wall Hanger All 10, 15 lb
N/S	WH20	Wall Hanger All 20 lb
22	5HB	Heavy-Duty Vehicle Bracket All 5 lb
22	15HB	Heavy-Duty Vehicle Bracket All 10, 15 lb
22	20HB	Heavy-Duty Vehicle Bracket All 20 lb

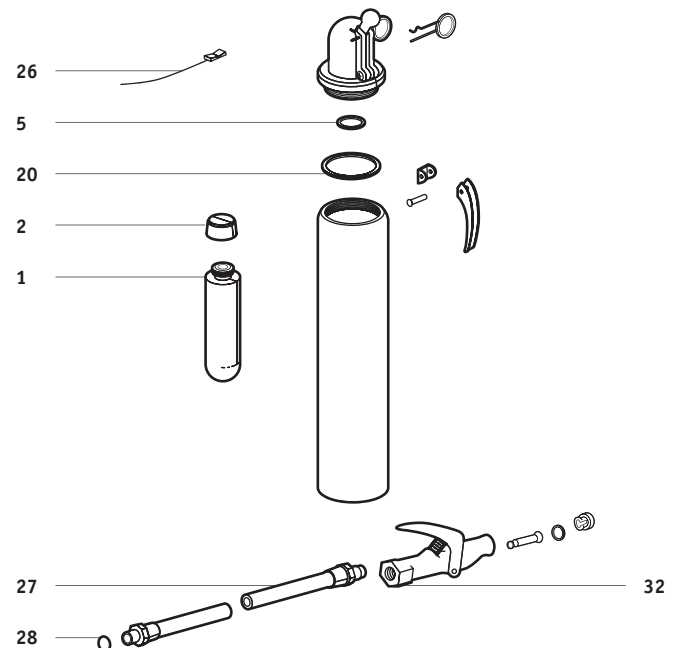


CARTRIDGE OPERATED DRY CHEMICAL

5, A-5, K-5, LR-5, LT-5, LT-A-5, LT-K-5

FIG.	P/N	SERVICE & MAINTENANCE PART DESCRIPTION
1	4523AC	Cartridge All, Except LT
5	181AC	Cartridge Receiver Gasket
20	615AC	Fill Cap Gasket, After 1967
27	15799AC	Hose Assembly w/ Couplings
28	6263AC	O-Ring
32	6673AC	Nozzle Assembly 5, LT-5

FIG.	P/N	ACCESSORY PART DESCRIPTION
N/S	79758AC	Bracket
2	LHSC	Cartridge Shipping Cap All, Except LT
26	VIS10	Visual Inspection Seal, Pkg/10
N/S	AGTSET	Hydrostatic Test Adapter Set
N/S	HTA13	Hydrostatic Test Adapter (Cylinder Only)



11 ANSUL - FIRE EXTINGUISHER PARTS

CARBON DIOXIDE (w/ R.S. Valve) SY-0571, SY-0572, SY-1071, SY-1072, SY-1571, SY-1572, SY-2071, SY-2072

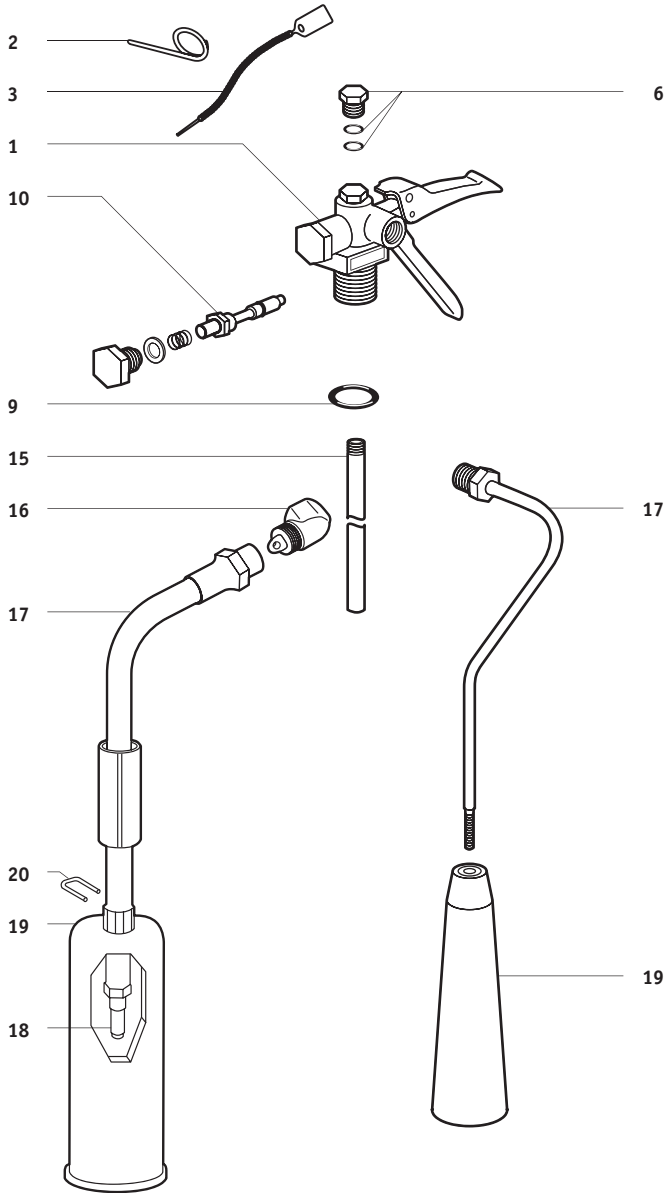
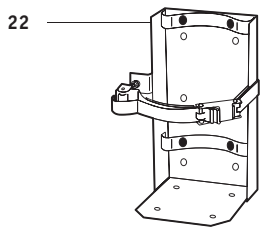


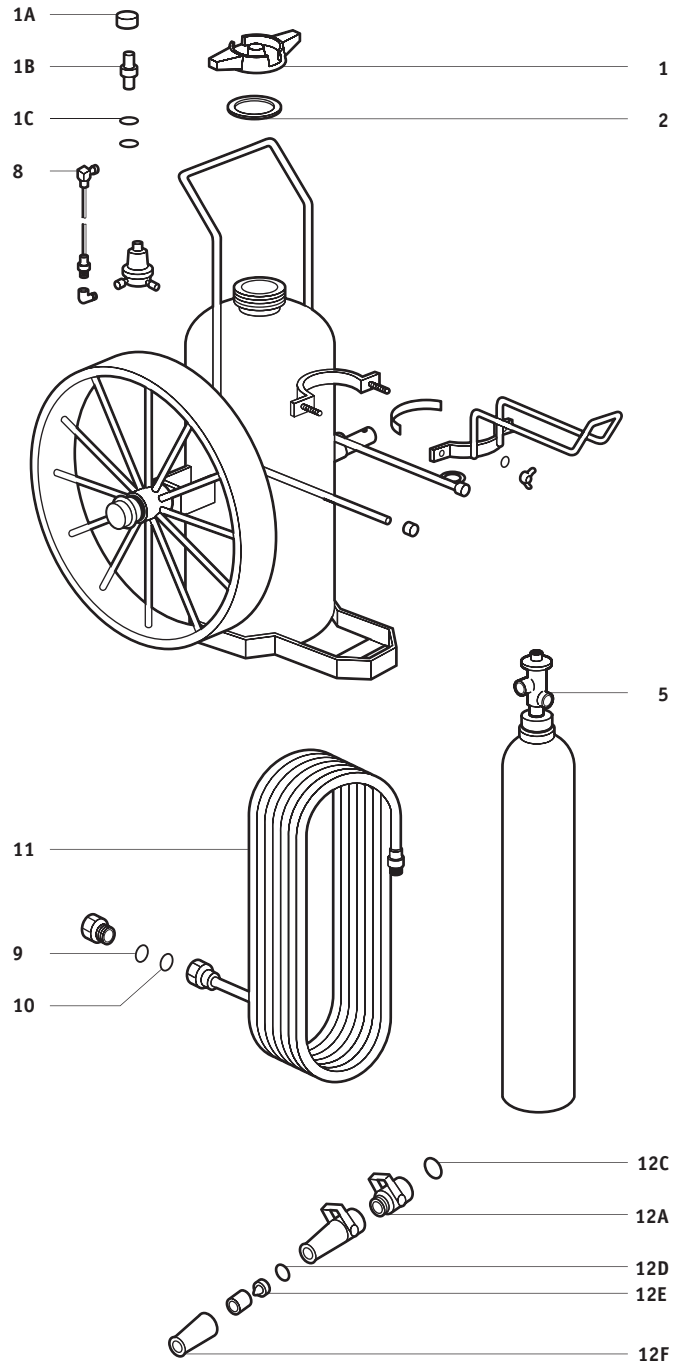
FIG.	P/N	SERVICE & MAINTENANCE PART DESCRIPTION
1	79438AS	Valve Assembly SY-1072, 1572, 2072 (Aluminum Cylinder)
2		Pull Pin, Stainless Steel (See Page 248)
3		Tamper Seal (See Page 246)
6	RS5	Safety Disc, Gasket, & Nut Assembly
9	79805AS	Collar O-Ring
10	418682AS	Valve Stem Assembly
15	79478AS	Siphon Tube All 15-20 lb
16	79352AS	Elbow All 10, 15, 20 lb
17	73861AS	Discharge Tube Assembly All 5 lb
17	77628AS	Hose Assembly All 10, 15, 20 lb
18	79474AS	Nozzle All 15, 20 lb
19	79350AS	Horn All 5 lb
19	77892AS	Horn w/ Handle All 10, 15 lb
19	77893AS	Horn w/ Handle All 20 lb
20	77894AS	U-Pin All 10, 15, 20 lb

FIG.	P/N	ACCESSORY PART DESCRIPTION
N/S	RDS15	Strap 10-15 lb Aluminum Cylinder
N/S	RDS20	Strap 20 lb Aluminum Cylinder
N/S	RDBACLIP	Horn Clip All 10, 15, 20 lb
N/S	SET6	Hardware Set All 10, 15, 20 lb
N/S	BL209	Replacement Nameplate (Non-U.L.) All 5 lb
N/S	BL210	Replacement Nameplate (Non-U.L.) All 10, 15, 20 lb
N/S	WH5	Wall Hanger All 5 lb
N/S	WH15	Wall Hanger All 10-15 lb
N/S	WH20	Wall Hanger All 20 lb
22	5HB	Heavy-Duty Vehicle Bracket All 5 lb
22	15HB	Heavy-Duty Vehicle Bracket All 10-15 lb
22	20HB	Heavy-Duty Vehicle Bracket

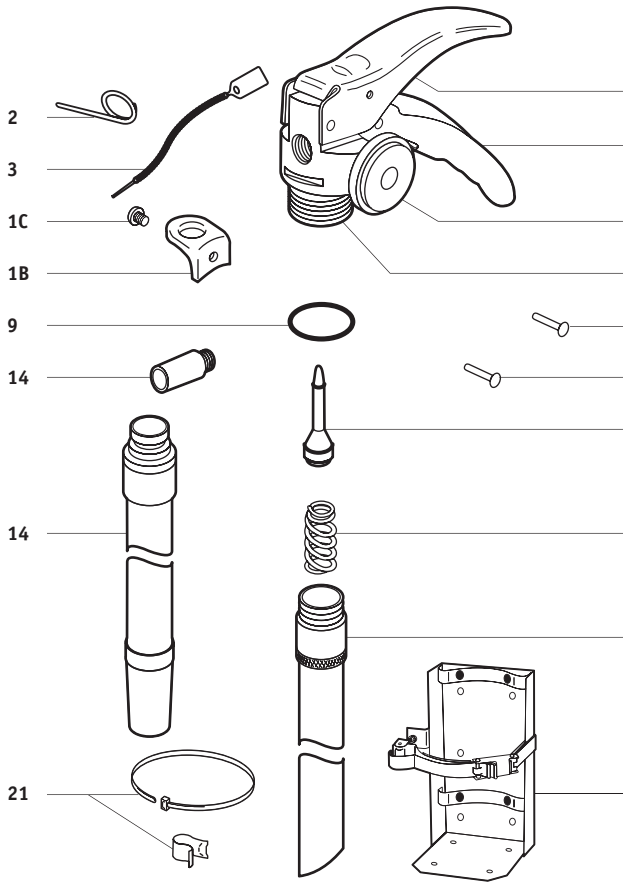


CYLINDER OPERATED WHEELED EXTINGUISHERS 150, 350 lb ("C" Models)

FIG.	P/N	SERVICE & MAINTENANCE PART DESCRIPTION
1	27335AW	Indicator Fill Cap All, Except Met-L-X, NAX
1A	17633AC	Indicator Cap
1B	27648AC	Indicator Stem
1C	17630AC	Quad Ring
2	3461AW	Gasket
5	Z78705AWD	Valve (Special Order)
8	423581AW	Nitrogen Hose Assembly (Valve to Regulator)
N/S	8750AW	Low Pressure Hose (Regulator to Tank) 150-350 lb (1969-1973)
9	14236AW	Hose Visual Inspection Disc, Strips of 6 ea 150 lb
9	14237AW	Hose Visual Inspection Disc, Strips of 5 ea 350 lb
10	670AW	Gasket 150 lb
10	8105AW	Gasket 350 lb
11	960AWD	Hose, 3/4" x 50' (Special Order) 150 lb, Except LT
12A	8101AWD	Ball Valve 150 lb, Except Met-L-X, NAX
12C	11112AW	Gasket (Valve To Hose) 150 lb
12D	8105AW	Nozzle Gasket All, Except LR
12E	12703AW	Nozzle Tip 150 lb, Except Met-L-X, NAX
12E	12707AW	Nozzle Tip 350 lb, Except Met-L-X, NAX
12F	29507AWD	Nozzle Body All, Except LR
N/S	79012AW	Service Manual



11 BADGER - FIRE EXTINGUISHER PARTS



DRY CHEMICAL

ADV-250, ADV-550, ADV-10, ADV-20

FIG. P/N SERVICE & MAINTENANCE PART DESCRIPTION

1	21008376B	Valve Assembly 2.5 lb Model
7	21008377B	Valve Assembly 5.5, 10, 20 lb Model
1B	8516B	Hanger Loop
1C	19622B	Hanger Loop Screw
2		Pull Pin (See Page 248)
N/S	23535B	Chain (Nylon) For Pull Pin
3		Tamper Seal (See Page 246)
8	21007875B	Lever
5	320750B	Lever Rivet
6	G100	Gauge - 100 2.5 lb Model
6	G195	Gauge - 195 5.5, 10, 20 lb Model
7	21007873B	Handle 2.5, 5.5 lb Model
7	21007874B	Handle 10, 20 lb Model
8	320751B	Handle Rivet
9	340035K	Neck Seal
10	440068K	Valve Stem
12	322063B	Spring
13	21007861B	Siphon Tube Assembly 2.5 lb Model
13	21007862B	Siphon Tube Assembly 5.5 lb Model
13	21007863B	Siphon Tube Assembly 10 lb Model
13	21007864B	Siphon Tube Assembly 20 lb Model
N/S	320167K	Siphon Tube O-Ring
14	21005805B	Nozzle 2.5 lb Model
14	21006335B	Hose & Nozzle Assembly 5.5 lb Model
14	21007908B	Hose & Nozzle Assembly 10 lb Model
14	21006338B	Hose & Nozzle Assembly 20 lb Model

FIG. P/N ACCESSORY PART DESCRIPTION

21		Universal Hose Strap/Clip (See Page 254)
22	466401K	Heavy-Duty Vehicle Bracket 2.5 lb Model
22	5DC	Heavy-Duty Vehicle Bracket 5.5 lb Model
22	5HB	Heavy-Duty Vehicle Bracket 10 lb Model
22	15HB	Heavy-Duty Vehicle Bracket 20 lb Model
N/S	1141K	Wall Hook 2.5 lb Model
N/S	WH5	Wall Hook 5.5 & 10 lb Model
N/S	14260K	Wall Hook 20 lb Model
N/S	AD23	Recharge Adapter
N/S	HTA18	Hydrostatic Test Adapter

DRY CHEMICAL

275RB-1, 250MB-1, 5RB-4H, 5MB-4H, 5MB-5H, 5MB-6H, 5MB-7H, 5MB-8H, 6MB-4H, 10MB-3H, 10MB-4H, 10MB-8H

HALON 1211

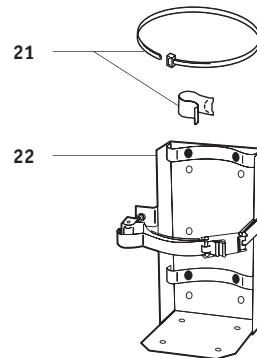
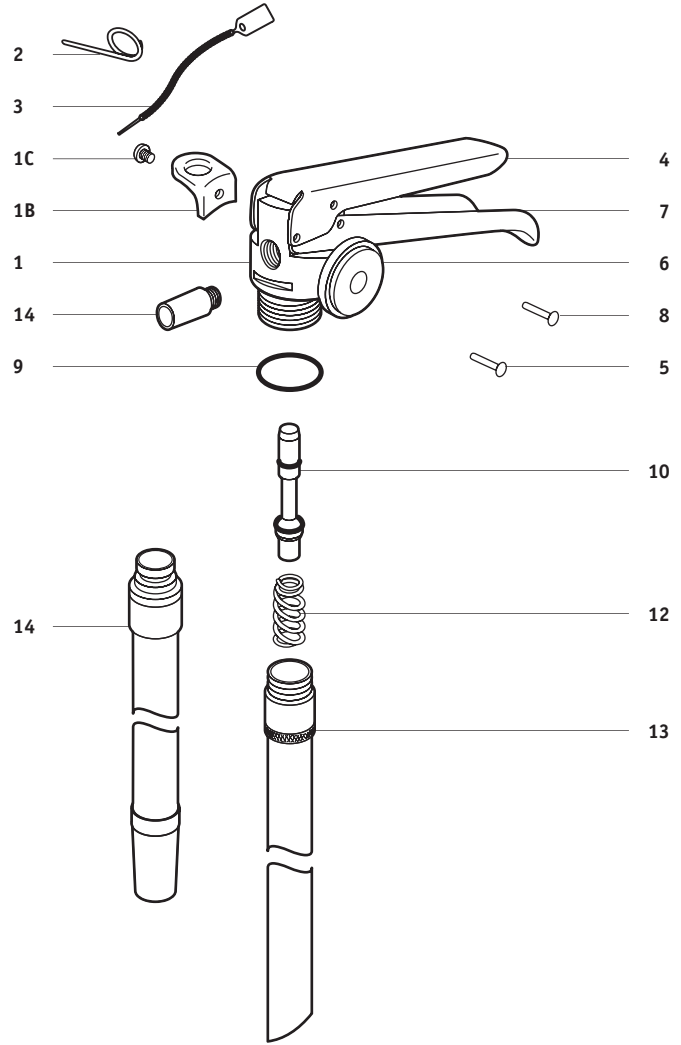
2.5-1211B, 5-1211B, 9-1211B-S, 9-1211B-T

HALOTRON I

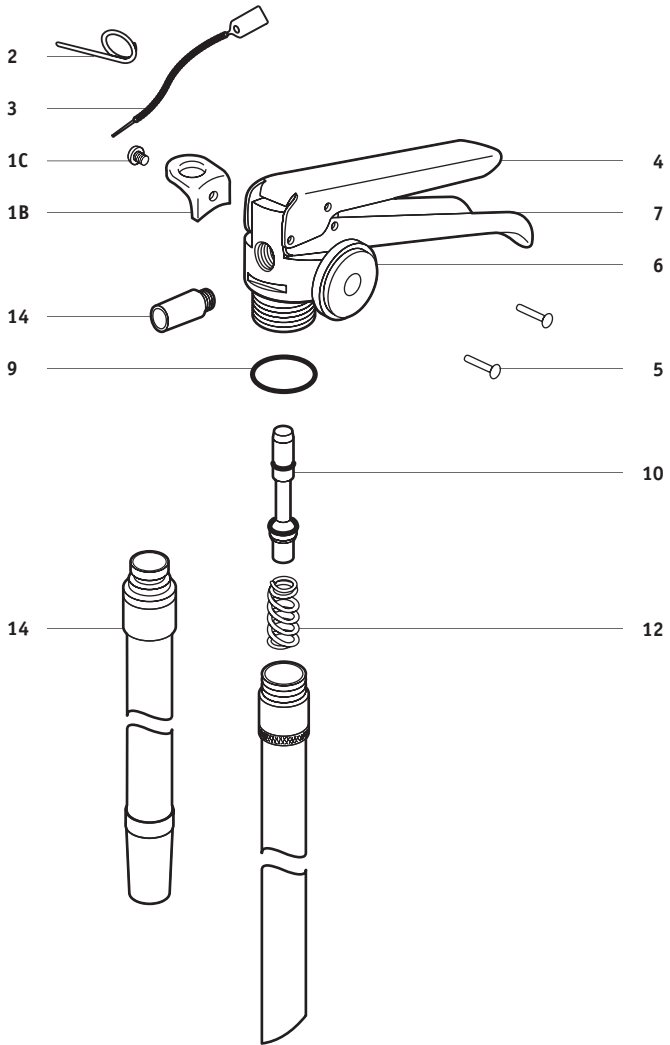
2.5HB, 5HB

FIG.	P/N	SERVICE & MAINTENANCE PART DESCRIPTION
1	19824B	Valve Assembly 5MB-5H, 5MB-6H, 5MB-7H, 5MB-8H
1	19520B	Valve Body
1B	8516B	Hanger Loop
1C	19622B	Hanger Loop Screw All, Except 275RB-1, 250MB-1, 2.5-1211B
2		Pull Pin (See Page 248)
3		Tamper Seal (See Page 246)
4	18363B	Lever
5	18404B	Lever Rivet
6	G195	Gauge - 195 All Dry Chemical
6	G125H	Gauge - 125 (Halon) 2.5-1211B, 5-1211B
6	G195H	Gauge - 195 (Halon) 9-1211B-S, 9-1211B-T
6	G100T	Gauge - 100 (Halotron I) All Halotron I
7	18361B	Handle
8	16517B	Handle Rivet
9	20745B	Collar O-Ring All Dry Chemical, Halon
9	23074B	Collar O-Ring All Halotron I
10	18672B	Valve Stem All Halon
10	19010B	Valve Stem All Dry Chemical
10	23068B	Valve Stem All Halotron I
12	19393B	Spring 5MB-5H, 5MB-6H, 5MB-7H, 5MB-8H, 6MB-4H, 10MB-3H, 2.5HB, 5HB
13	19825B	Siphon Tube 5MB-5H, 5MB-6H, 5MB-7H, 5MB-8H
14	14816B	Nozzle 250MB-1
14	22363B	Hose & Nozzle Assembly 10MB-4H, 10MB-8H
14	19548B	Hose & Nozzle Assembly 5MB-4H, 5MB-5H
14	21028B	Hose & Nozzle Assembly 5MB-6H, 5MB-8H

FIG.	P/N	ACCESSORY PART DESCRIPTION
21		Universal Hose Strap/Clip (See Page 254) All, Except 250MB-1, 275RB-1, 2.5-1211B
N/S	WH5	Wall Hanger All 5-10 lb, Except 10MB-3H, 9-1211B-S
N/S	WH15	Wall Hanger 10MB-3H, 9-1211B-S
N/S	MB250	Vehicle Bracket 250MB-1, 275RB-1, 2.5-1211B
N/S	MB5	Vehicle Bracket 5-6 lb
22	5DC	Heavy-Duty Vehicle Bracket 5-6 lb
22	5HB	Heavy-Duty Vehicle Bracket 10MB-4H, 10MB-8H, 10RB-7H, 9-1211B-T
22	10HB	Heavy-Duty Vehicle Bracket 10MB-3H, 9-1211B-S
N/S	AD21	Recharge Adapter
N/S	HTA45	Hydrostatic Test Adapter



11 BADGER - FIRE EXTINGUISHER PARTS



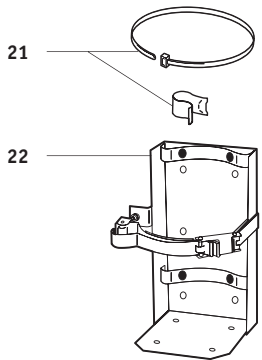
DRY CHEMICAL
 B250M, B275BC, B250P, B5M, B5M1, B5BC, B5P, B10M, B10BC1, B10P1
HALOTRON I
 2.5HB-1, 2.5HB-2, 5HB-1, 5HB-2

FIG. P/N SERVICE & MAINTENANCE PART DESCRIPTION

1B	23358B	Hanger Loop
1C	21390B	Hanger Loop Screw
2		Pull Pin (See Page 248)
3		Tamper Seal (See Page 246)
4	23351B	Lever
5	23352B	Lever Rivet
6	G195	Gauge - 195 All Dry Chemical
6	G100T	Gauge - 100 (Halotron I) All Halotron I
7	23353B	Handle
9	20745B	Collar O-Ring All Dry Chemical
9	23074B	Collar O-Ring All Halotron I
10	23389B	Valve Stem All Dry Chemical
10	23355B	Valve Stem Assembly All Halotron I
12	19393B	Spring
14	23393B	Hose & Nozzle Assembly B5M, B5M1
14	23399B	Hose & Nozzle Assembly B10M

FIG. P/N ACCESSORY PART DESCRIPTION

21		Universal Hose Strap (See Page 254) All 5, 10 lb
N/S	WH5	Wall Hanger All 5, 10 lb
N/S	MB250	Vehicle Bracket All 2.5 lb
N/S	MB5	Vehicle Bracket All 5 lb
22	5DC	Heavy-Duty Vehicle Bracket All 5 lb
22	5HB	Heavy-Duty Vehicle Bracket All 10 lb
N/S	AD21	Recharge Adapter
N/S	HTA45	Hydrostatic Test Adapter



DRY CHEMICAL

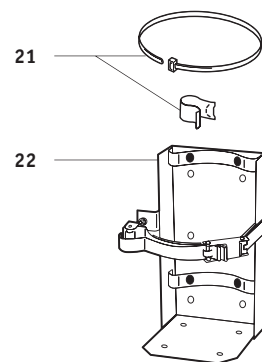
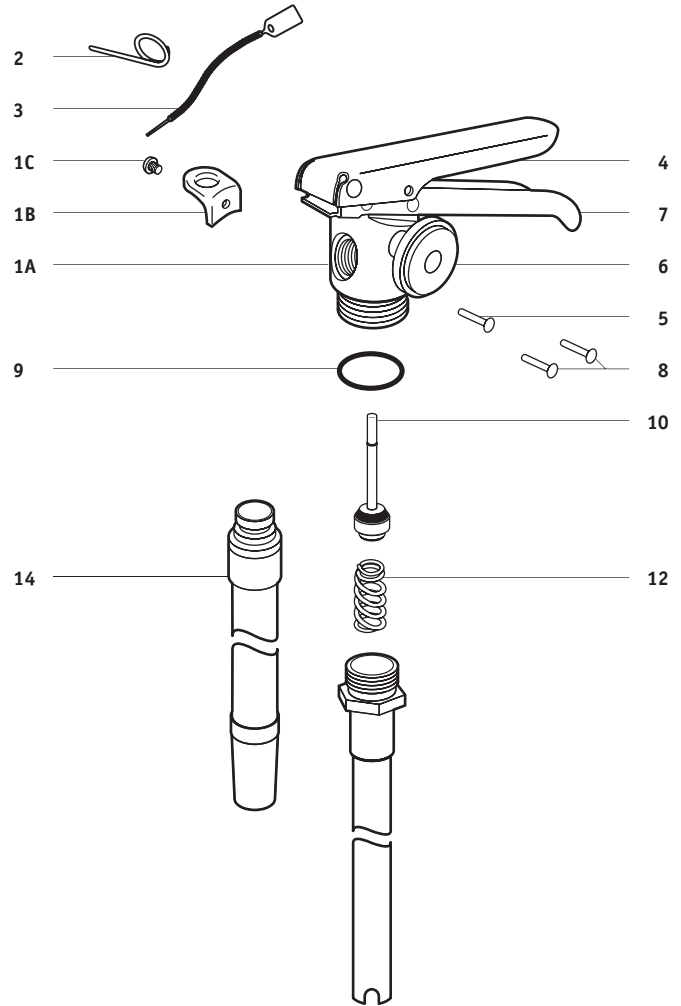
5RB-2, 6MB-1, 10MB-1H, 10MB-2H, 10RB-2H, 10PB-2H, 20MB-1H, 20RB-1H, 20PB-1H, 20MB-2H, 20PB-2H, 20MB-6H, 20RB-7H

HALON 1211

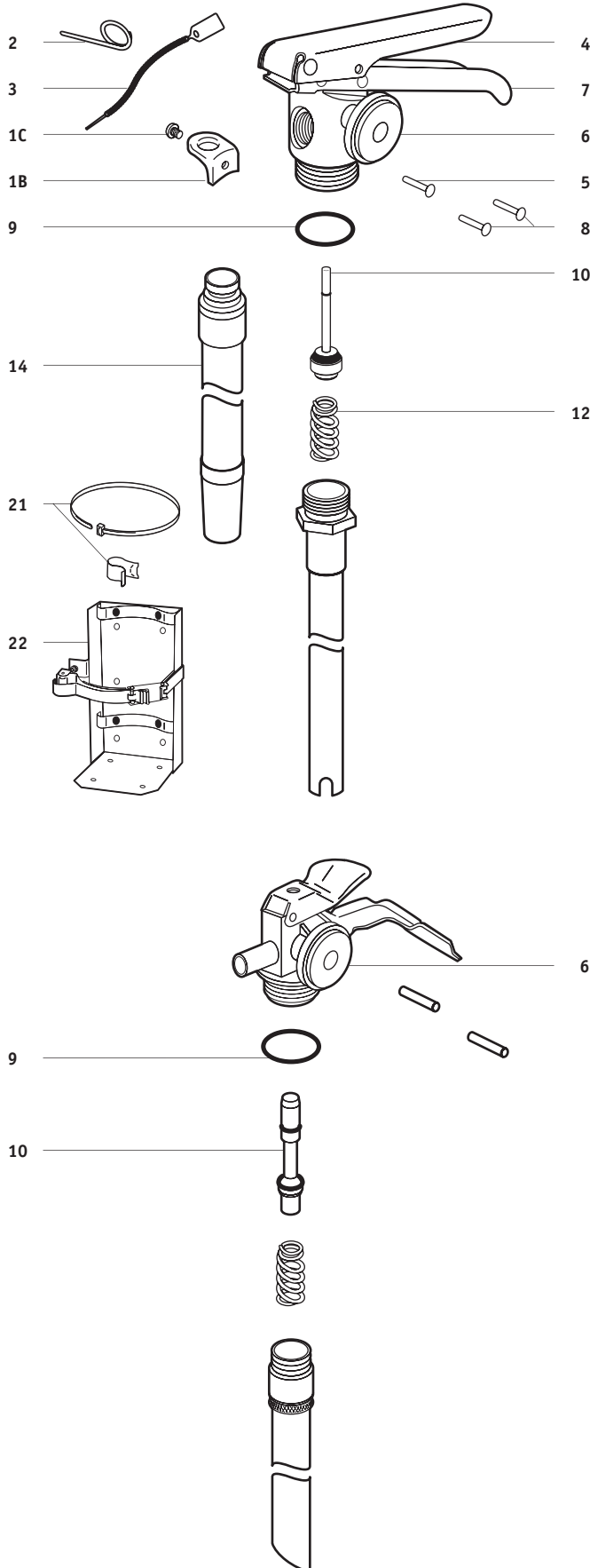
13-1211B-S, 13-1211B-T, 17-1211B, 20-1211B

FIG.	P/N	SERVICE & MAINTENANCE PART DESCRIPTION
1A	16459B	Valve Body
1B	8516B	Hanger Loop
1C	19622B	Hanger Loop Screw
2		Pull Pin (See Page 248)
3		Tamper Seal (See Page 246)
4	16438B	Lever
5	16518B	Lever Rivet
6	G195	Gauge - 195 Dry Chemical
6	G195H	Gauge - 195 (Halon) Halon
7	16513B	Handle
8	16517B	Handle Rivet
9	20746B	Collar O-Ring
10	12426B	Valve Stem Assembly Dry Chemical
12	7630B	Spring
14	20580B	Hose & Nozzle Assembly 20MB-2H, 20MB-6H

FIG.	P/N	ACCESSORY PART DESCRIPTION
21		Universal Hose Strap/Clip (See Page 254)
N/S	WH5	Wall Hanger 10 lb Dry Chemical, 13-1211B-T
N/S	WH15	Wall Hanger 13-1211B-S
N/S	WH20	Wall Hanger 20 lb Dry Chemical, 17-1211B, 20-1211B
N/S	MB5	Vehicle Bracket 5 lb
22	5DC	Heavy-Duty Vehicle Bracket 5-6 lb
22	5HB	Heavy-Duty Vehicle Bracket 10 lb Dry Chemical, 13-1211B-T
22	10HB	Heavy-Duty Vehicle Bracket 13-1211B-S
22	15HB	Heavy-Duty Vehicle Bracket 20 lb Dry Chemical, 17-1211B, 20-1211B
N/S	AD24	Recharge Adapter
N/S	HTA44	Hydrostatic Test Adapter



11 BADGER - FIRE EXTINGUISHER PARTS



DRY CHEMICAL

10MB-5H, 10MB-9H, 10RB-3H, 10PB-9H, 10RB-6H, 20MB-3H, 20RB-2H, 20PB-3H, 20MB-5H, 20RB-4H, B10M1, B20M, B20BC, B20P, B10M1-HF, B10P1-HF, B20M-HF, B20P-HF

HALOTRON I

11HB, 11HB-1, 15.5HB-1, 15.5HB

FIG.	P/N	SERVICE & MAINTENANCE PART DESCRIPTION
1B	23358B	Hanger Loop
1C	21390B	Hanger Loop Screw
2		Pull Pin, Stainless Steel (See Page 248)
3		Tamper Seal (See Page 246)
4	16438B	Lever
5	16633B	Lever Rivet
6	G195	Gauge - 195 All Dry Chemical
6	G125T	Gauge - 125 (Halotron I) All Halotron I
7	16437B	Handle
8	23354B	Handle Rivet
9	20746B	Collar O-Ring All Dry Chemical
9	23089B	Collar O-Ring All Halotron I
10	12426B	Valve Stem Assembly All Dry Chemical
10	23086B	Valve Stem Assembly All Halotron I
12	7630B	Spring
14	21407B	Hose & Nozzle Assembly 20MB-3H, 20MB-5H
14	22601B	Hose & Nozzle Assembly 10MB-9H, B10M1
14	21006168B	Hose & Nozzle Assembly All High Flow (HF) Models

FIG.	P/N	ACCESSORY PART DESCRIPTION
N/S	WH5	Universal Hose Strap/Clip (See Page 254) Wall Hanger 10 lb
N/S	WH20	Wall Hanger 20 lb
22	5HB	Heavy-Duty Vehicle Bracket 10 lb
22	15HB	Heavy-Duty Vehicle Bracket 20 lb
N/S	AD24	Recharge Adapter
N/S	HTA44	Hydrostatic Test Adapter

DRY CHEMICAL

P200RA, P275RA, P250MA

HALON 1211

P1.25-1211A, P2.5-1211A

FIG.	P/N	SERVICE & MAINTENANCE PART DESCRIPTION
6	G100	Gauge - 100 P200RA
6	G195	Gauge - 195 P275RA, P250MA
6	G100H	Gauge - 100 (Halon) P1.25-1211A
6	G125H	Gauge - 125 (Halon) P2.5-1211A
9	20745B	Collar O-Ring
10	19010B	Valve Stem Assembly All Dry Chemical
10	18672B	Valve Stem Assembly All Halon

FIG.	P/N	ACCESSORY PART DESCRIPTION
N/S	AD21	Recharge Adapter P275RA, P250MA, P2.5-1211A
N/S	HTA45	Hydrostatic Test Adapter

DRY CHEMICAL

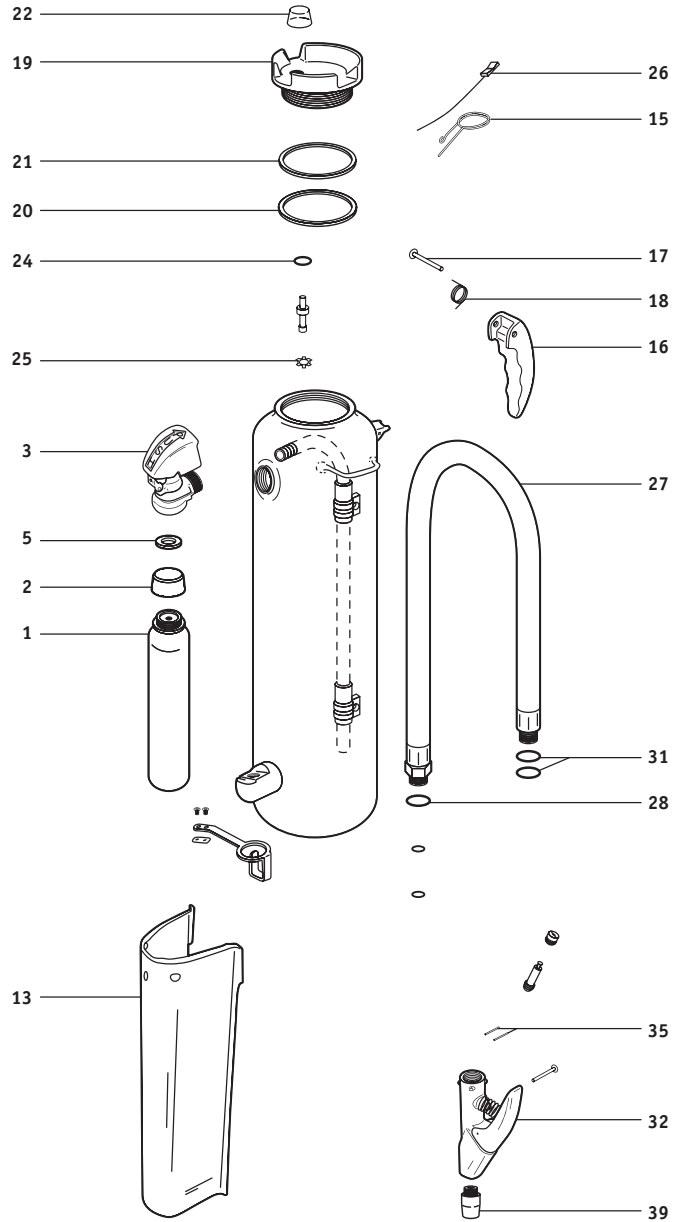
B-10-RG, B-10-RG-LT, B-10-PK, B-10-PK-LT, B-10-PK-HF, B-10-A, B-10-A-LT, B-10-A-HF, B-20-RG, B-20-RG-LT, B-20-PK, B-20-PK-LT, B-20-PK-HF, B-20-PK-HF-LT, B-20-A, B-20-A-LT, B-20-A-HF, B-20-A-HF-LT, B-30-RG, B-30-RG-LT, B-30-PK, B-30-PK-LT, B-30-PK-HF, B-30-PK-HF-LT, B-30-A, B-30-A-LT, B-30-A-HF, B-30-A-HF-LT

FIG P/N SERVICE & MAINTENANCE PART DESCRIPTION

1	21009612BC	Cartridge All 10 lb, Except LT
1	21009613BC	Cartridge All 20 lb, Except LT
1	21009614BC	Cartridge All 30 lb, Except LT
3	440384BC	Cartridge Receiver Assembly
5	320934BC	Cartridge Receiver Gasket
13	21009967BC	Cartridge Guard Assembly All 10 lb
13	440324BC	Cartridge Guard Assembly All 20, 30 lb
15	320911BC	Ring Pin
16	23678BC	Carrying Handle
17	320837BC	Carrying Handle Rivet
18	320838BC	Carrying Handle Spring
19	440314BC	Fill Cap Assembly w/ Indicator
20	320779BC	Fill Cap Gasket
21	320780BC	Fill Cap Quad Ring
22	340744BC	Cap, Plastic
24	320769BC	Quad Ring
25	320778BC	Retaining Ring
27	440332BC	10 lb Hose Assembly
27	440333BC	20 lb Hose Assembly
27	440334BC	30 lb Hose Assembly
28	320914K	Hose O-Ring
31	320905BC	Nozzle O-Ring
32	440360BC	Nozzle Assembly (Less Tip)
35	320958BC	Nozzle Pin
39	341010BC	Nozzle Tip 20 lb ABC
39	341016BC	Nozzle Tip 30 lb ABC
39	341017BC	Nozzle Tip 30 lb Regular Dry Chemical All 20, 30 lb

FIG P/N ACCESSORY PART DESCRIPTION

26	VIS10	Visual Inspection Seal
2	LHSC	Cartridge Shipping Cap
N/S	ACWH1	Hanger Hook
N/S	DCA	Discharge Adapter



11 BADGER - FIRE EXTINGUISHER PARTS

CARBON DIOXIDE

B5H-1, B5H-1A, B10H-2, B10HA, B15H-2, B15HA, B20H-2, B20HA

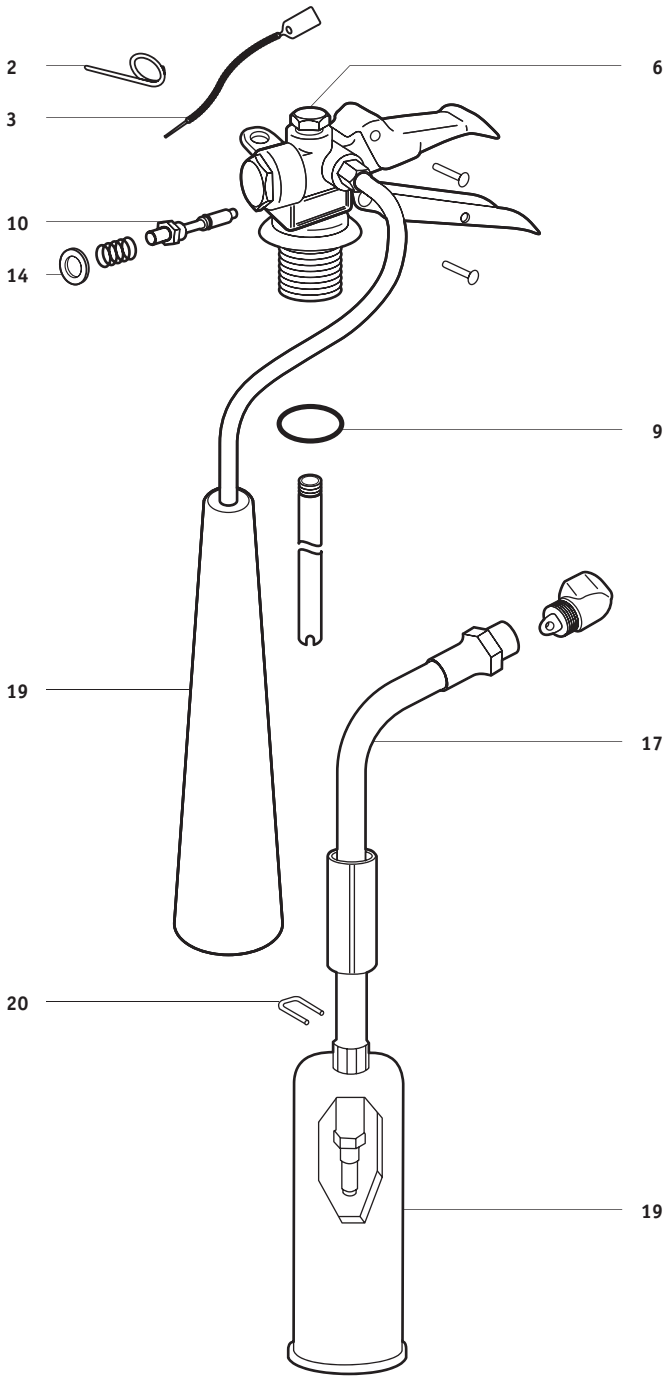
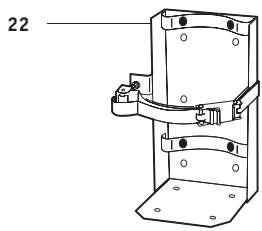


FIG.	P/N	SERVICE & MAINTENANCE PART DESCRIPTION
2		Pull Pin, Stainless Steel (See Page 248)
3		Tamper Seal (See Page 246)
6	24643B	Safety Disc, Gasket, & Nut Assembly
9	16464B	Collar O-Ring B5H-1A, B10HA, B15HA, B20HA
10	5558B	Valve Stem Assembly
14	3524B	Retainer Washer
17	23005B	Hose & Nozzle Assembly (.110) 10 lb
17	23010B	Hose & Nozzle Assembly (.099) 15-20 lb
19	1840B	Horn w/ Handle All 10 lb
19	1841B	Horn w/ Handle All 15-20 lb
20	1838B	U-Pin All 10, 15, 20 lb

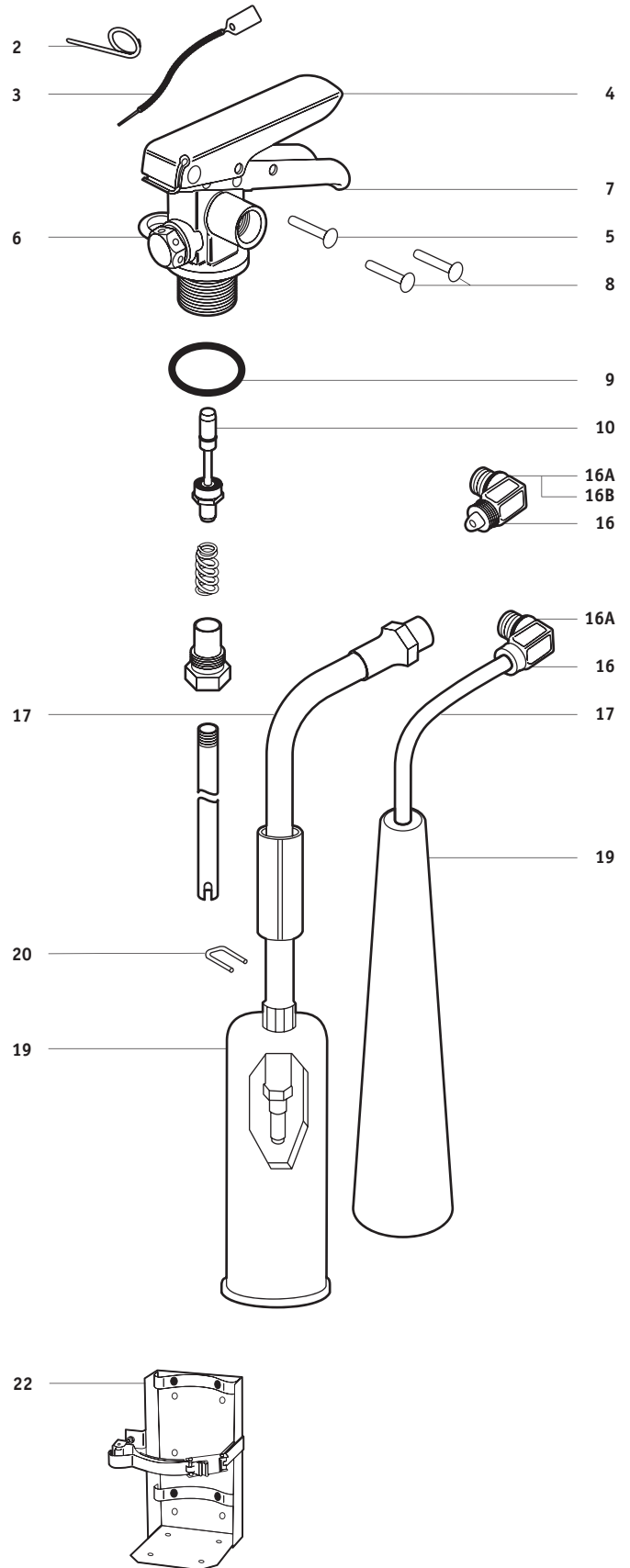
FIG.	P/N	ACCESSORY PART DESCRIPTION
N/S	RDBACLIP	Horn Clip All 10, 15, 20 lb
N/S	RDS15	Strap B10HA, B15HA
N/S	RDS20	Strap B20HA
N/S	SET6	Hardware Set 10-20 lb Aluminum Cylinder
N/S	BL209	Replacement Nameplate (Non-UL) All 5 lb
N/S	BL210	Replacement Nameplate (Non-UL) All 10, 15, 20 lb
N/S	WH5	Wall Hanger All 5 lb
N/S	WH15	Wall Hanger All 10, 15 lb
N/S	WH20	Wall Hanger All 20 lb
22	5HB	Heavy-Duty Vehicle Bracket All 5 lb
22	15HB	Heavy-Duty Vehicle Bracket All 10, 15 lb
22	20HB	Heavy-Duty Vehicle Bracket All 20 lb



CARBON DIOXIDE

B5V, B5V-1, B5V-2, B10V, B10-2, B15V, B15V-1, B20V, B20V-1

FIG.	P/N	SERVICE & MAINTENANCE PART DESCRIPTION
2		Pull Pin, Stainless Steel (See Page 248)
3		Tamper Seal (See Page 246)
4	16438B	Lever
5	16633B	Lever Rivet
6	24643B	Safety Disc, Gasket, & Nut Assembly
7	16437B	Handle
8	23354B	Handle Rivet
9	16464B	Collar O-Ring
10	20981B	Valve Stem Assembly
16	20991B	Elbow Assembly B10V, B15V, B20V
16A	21101B	O-Ring for Elbow
16B	3524B	Washer for Elbow
→ 17	21009781B	Discharge Tube Assembly B5V
→ 17	21009783B	Insulated Discharge Tube B5V-2
17	23005B	Hose & Nozzle Assembly (.110) B10V
→ 17	2008966B	Hose & Nozzle Assembly (.110) B10V-1
17	23010B	Hose & Nozzle Assembly (.099) B15V, B20V
→ 17	2008965B	Hose & Nozzle Assembly (.099) B15V-1, B20V-1
19	8886B	Horn B5V, B5V-1
→ 19	21009782B	Insulated Horn B5V-2 (Requires 21009783B Ins. Discharge Tube)
19	1840B	Horn w/ Handle 10 lb Models
19	1841B	Horn w/ Handle 15 & 20 lb Models
20	1838B	U-Pin B10V, B15V, B20V
FIG.	P/N	ACCESSORY PART DESCRIPTION
N/S	RDS15	Strap B10V, B15V
N/S	RDS20	Strap B20V
N/S	RDBACLIP	Horn Clip B10V, B15V, B20V
N/S	SET6	Hardware Set B10V, B15V, B20V
N/S	BL209	Replacement Nameplate (Non-UL) B5V
N/S	BL210	Replacement Nameplate (Non-UL) B10V, B15V, B20V
N/S	WH5	Wall Hanger B5V
N/S	WH15	Wall Hanger B10V, B15V
N/S	WH20	Wall Hanger B20V
22	5HB	Heavy-Duty Vehicle Bracket B5V
22	15HB	Heavy-Duty Vehicle Bracket B10V, B15V
22	20HB	Heavy-Duty Vehicle Bracket B20V



11 BADGER - FIRE EXTINGUISHER PARTS

WATER/LOADED STREAM

WP61, PWA-61

WET CHEMICAL

WC-10, WC-25, WC-100, WC-250

AR-AFFF FOAM

F-100, F-250

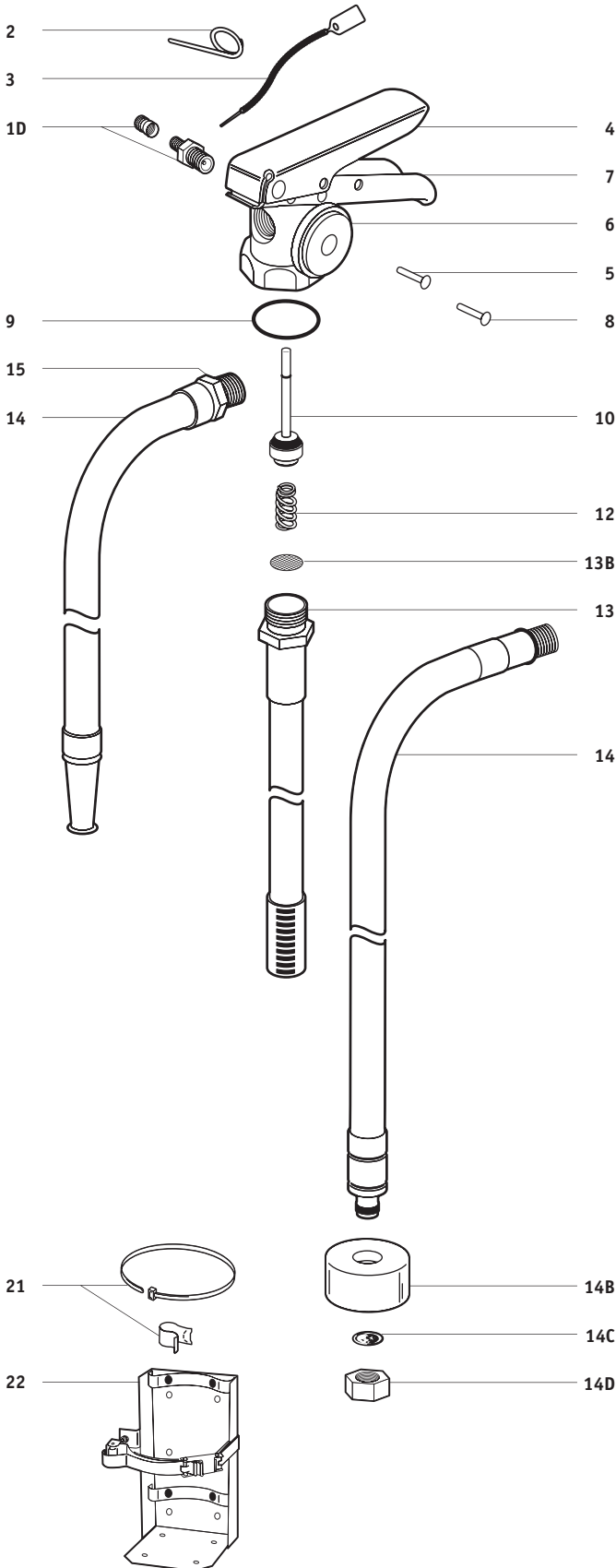


FIG.	P/N	SERVICE & MAINTENANCE PART DESCRIPTION
2		Pull Pin, Stainless Steel (See Page 248)
3		Tamper Seal (See Page 246)
4	16438B	Lever
5	16633B	Lever Rivet
6	G100WS	Gauge - 100
7	16437B	Handle
8	23354B	Handle Rivet
9	20746B	Collar O-Ring
10	12426B	Valve Stem Assembly
12	7630B	Spring
13	14992B	Siphon Tube Assembly WP61, PWA-61, WC-25, WC-250
13	21539B	Siphon Tube Assembly WC-10, WC-100
13B	22445B	Screen Disk For Siphon Tube (WC-10, WC-25, WC-100, WC-250)
14	8844B	Hose & Nozzle Assembly WP61, PWA-61
14	23161B	Hose Assembly w/ Tip (Replaces 22338) WC-10, WC-25, WC-100, WC-250
14B	23162B	Finger Guard WC-10, WC-25, WC-100, WC-250
14C	KR97054	Foil Inspection Disc, Pkg/10 WC-10, WC-25, WC-100, WC-250
14D	KR97290	Nozzle Tip Cap, Pkg/10 WC-10, WC-25, WC-100, WC-250
N/S	AC100	Wet Chemical Recharge, 6 L WC-100
N/S	AC250	Wet Chemical Recharge, 2.5 gal WC-250

FIG.	P/N	ACCESSORY PART DESCRIPTION
1D	AV1*	Pressure Valve & Cap Assembly
N/S	CORE*	Pressure Valve Core, Pkg/50
N/S	AVC*	Pressure Cap, Pkg/50
21		Universal Hose Strap/Clip (See Page 254) WC-10, WC-25, WC-100, WC-250, F-100, F-250
N/S	792B	Loaded Stream Anti-Freeze Charge PWA-61
N/S	WH2	Wall Hanger
N/S	15HB	Heavy-Duty Vehicle Bracket
N/S	AD24	Recharge Adapter WP61, PWA-61, WC-100, WC-250, F-100, F-250
N/S	HTA10	Hydrostatic Test Adapter

*WP61 & PWA-61 (UP TO 2002)

STORED PRESSURE DRY CHEMICAL WHEELED

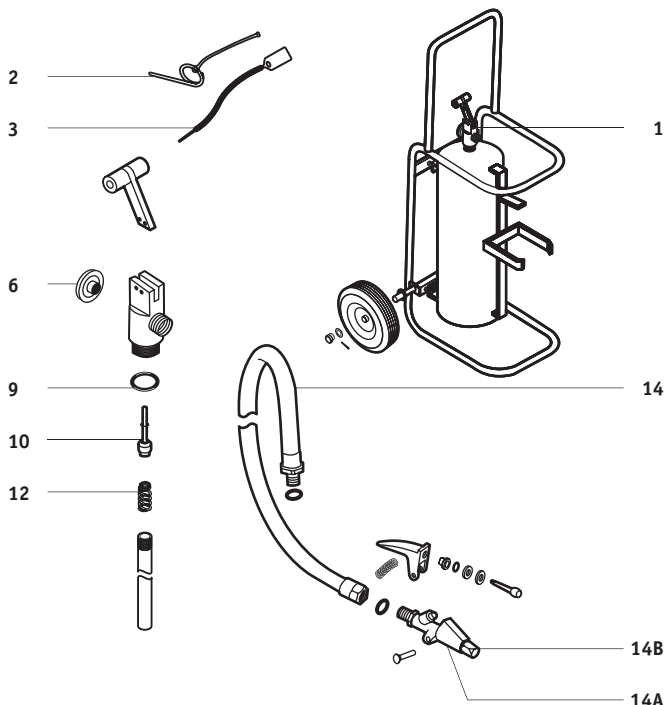
50RB, 50MB, 50PB

HALON WHEELED

50-1211B

FIG.	P/N	SERVICE & MAINTENANCE PART DESCRIPTION
1	Z20135BD	Valve Assembly (Special Order) Dry Chemical
2		Pull Pin, Stainless Steel (See Page 248)
3		Tamper Seal (See Page 246)
6	G240	Gauge - 240 Dry Chemical
9	20746B	Collar O-Ring
10	12426B	Valve Stem Assembly Dry Chemical
12	7630B	Spring
14	Z20131BD	Hose, 1/2" x 25' (Special Order)
14A	Z440360BD	Nozzle Assembly (Less Tip) (Special Order)
14B	Z20133BD	Nozzle Tip (Special Order) 50MB

FIG.	P/N	ACCESSORY PART DESCRIPTION
N/S	6160A	Recharge Adapter
N/S	HTA44	Hydrostatic Test Adapter



STORED PRESSURE DRY CHEMICAL WHEELED

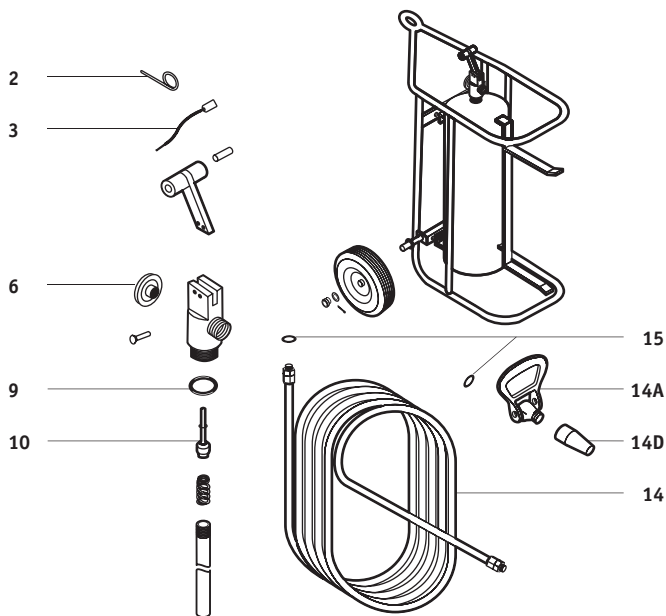
150RB, 150MB, 150PB

HALON WHEELED

150-1211B

FIG.	P/N	SERVICE & MAINTENANCE PART DESCRIPTION
2		Pull Pin, Stainless Steel (See Page 248)
3		Tamper Seal (See Page 246)
6	G240	Gauge - 240 Dry Chemical
9	20510B	Collar O-Ring
10	23658BD	Valve Stem Assembly (Special Order)
14	20079BD	Hose, 3/4" x 50' (Special Order)
14A	Z23123BD	Nozzle Assembly (Less Orifice) (Special Order) Dry Chemical
14D	Z23446BD	Nozzle Orifice (Special Order) 150RB
14D	Z23447BD	Nozzle Orifice (Special Order) 150MB
N/S	Z20556BD	Swivel (Special Order)
15	4045B	Washer

FIG.	P/N	ACCESSORY PART DESCRIPTION
N/S	5720A	Recharge/Hose Hydrotest Adapter
N/S	HTA24	Hydrostatic Test Adapter

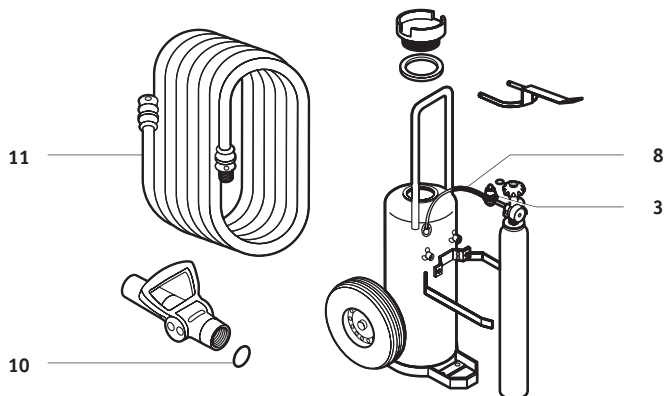


CYLINDER OPERATED DRY CHEMICAL WHEELED

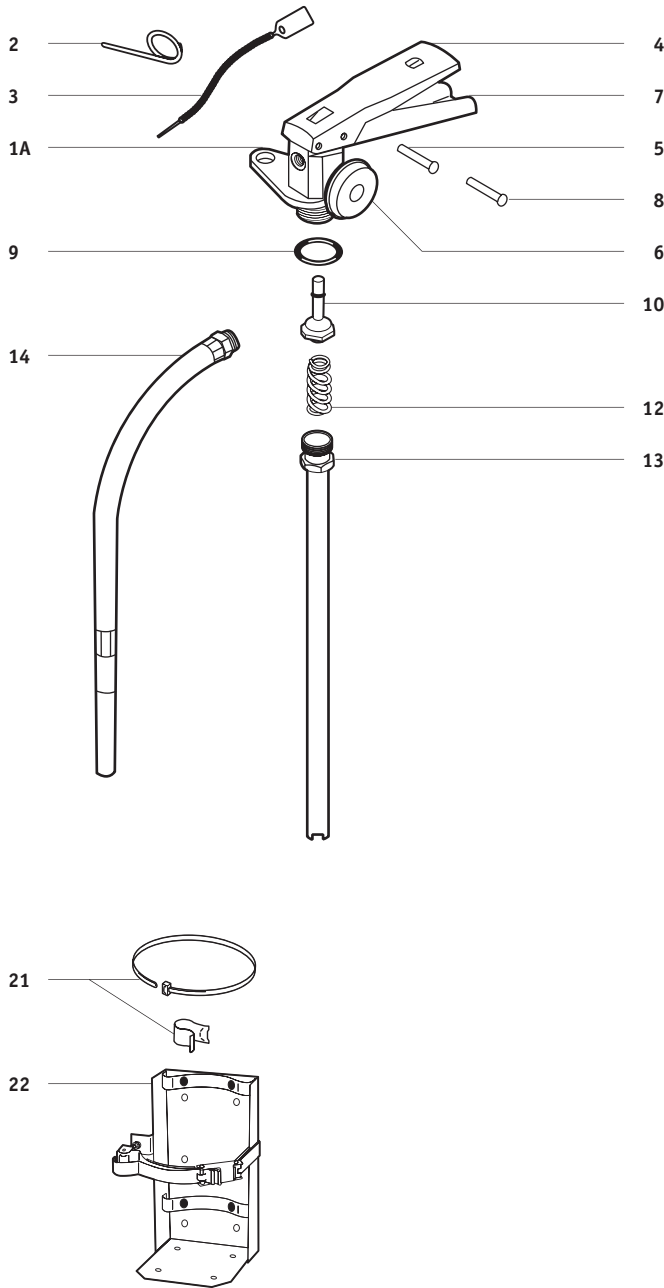
B150A, B150AL, B125K, B125KL, B150R, B150RL, B150-A1, B150AL-1, B125K-1, B125KL-1, B150R-1, B150RL-1

FIG.	P/N	SERVICE & MAINTENANCE PART DESCRIPTION
3	3031BD	Pressure Regulator
8	3034B	Nitrogen Hose
10	4045B	Chemical Hose & Nozzle Gasket
11	20079BD	Chemical Hose Assembly (Special Order)

FIG.	P/N	ACCESSORY PART DESCRIPTION
N/S	CS10	Nitrogen Valve Lock Wire



11 BUCKEYE - FIRE EXTINGUISHER PARTS



DRY CHEMICAL

5HI-SA40-ABC, 5HI-SB40-ABC, 5HI-SA-PK, 5.5HI-SA40-STD, 10HI-SA80-ABC, 10HI-SB80-ABC, 10S HI-SA-ABC, 10S HI-SA-STD, 10S HI-SA-PK, 10T HI-SA80-ABC, 10T HI-SB80-ABC, 10T HI-SA-STD, 10T HI-SB-STD, 10T HI-SA-PK, 10T HI-SB-PK, 20S HI-SA-ABC, 20S HI-SB-ABC, 20S HI-SA-STD, 20S HI-SA-PK, 20S HI-SB-PK, 30S HI-SB-ABC, 30S HI-SB-PK

HALON 1211

5HI-SA-1211-A, 5HI-SB-1211-A, 9HI-SA-1211, 9HI-SB-1211, 9S HI-SA-1211, 13HI-SA-1211, 13HI-SB-1211, 13S HI-SA-1211, 17S-SA-1211, 20S-SA-1211, 20S-SB-1211

HALOTRON I

5-24 lb, 5 FSA, 5HSA, 11SA, 11SB, 15SA, 15SB

FIG. P/N SERVICE & MAINTENANCE PART DESCRIPTION

1A	700201W	Hanger Loop (SA)
2		Pull Pin (See Page 248)
3		Tamper Seal (See Page 246)
4	900210W	Lever (SA)
4	900214W	Lever (SB)
5	900050W	Lever Rivet (SA)
5	900053W	Lever Rivet (SB)
6	G195	Gauge - 195 All Dry Chemical
6	G100H	Gauge - 100 (Halon) All 5 lb Halon
6	G195H	Gauge - 195 (Halon) All 9, 13, 17, 20 lb Halon
6	G100T	Gauge - 100 (Halotron I) All 5-11 lb Halotron I
6	G125T	Gauge - 125 (Halotron I) All 12, 14, 15 lb Halotron I
7	900228W	Handle (SA)
7	900232W	Handle (SB)
8	900049W	Handle Rivet (SA)
8	900052W	Handle Rivet (SB)
9	900001W	Collar O-Ring
9	900004W	Collar O-Ring All Halon
9	900013W	Collar O-Ring All Steel Cylinder Halotron I
10	103215W	Valve Stem All Dry Chemical
10	103214W	Valve Stem All Halon
10	103216W	Valve Stem All Halotron I
12	900105W	Spring (Replaces 900101)
13	900960W	Siphon Tube All 5 HI, 5.5 HI
13	900962W	Siphon Tube All 10S HI
13	900963W	Siphon Tube All 10T HI
13	900971W	Siphon Tube All 10 HI, 20 HI
14	109267W	Hose & Nozzle Assembly (.128) 5 HI SA40 ABC
14	113277W	Hose & Nozzle Assembly (.144) 10 HI SA80 ABC, 10T HI SA80 ABC
14	126216W	Hose & Nozzle Assembly (.180) 20S HI SA ABC

FIG. P/N ACCESSORY PART DESCRIPTION

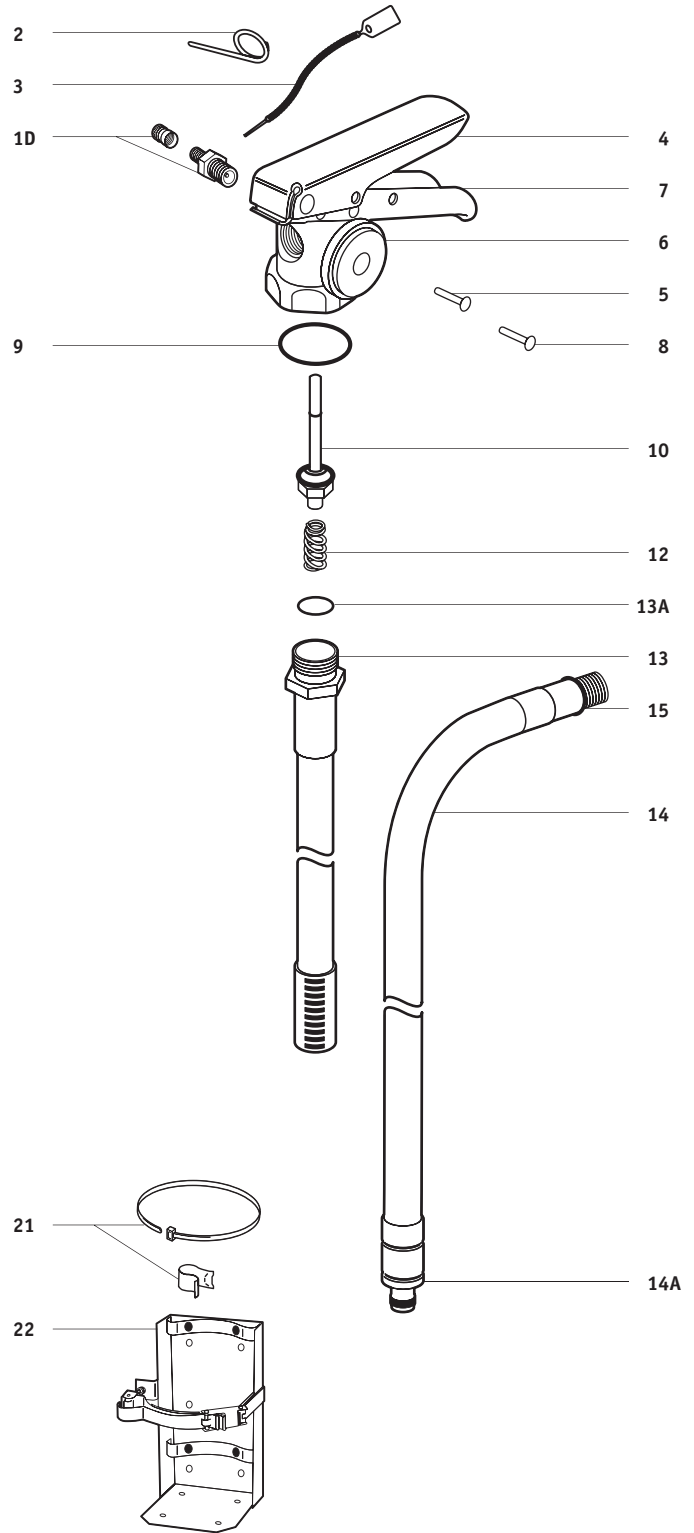
21		Universal Hose Strap/Clip (See Page 254)
N/S	WH5	Wall Hanger All 5-5.5 lb
N/S	WH15	Wall Hanger All 10 lb
N/S	WH20	Wall Hanger ALL 20S, 30S
N/S	700270W	Vehicle Bracket All 5 lb
22	5DC	Heavy-Duty Vehicle Bracket All 5 lb
22	5HB	Heavy-Duty Vehicle Bracket All 9-17 lb, Except 9S, 10S, 13, 17S
22	10HB	Heavy-Duty Vehicle Bracket All 9S, 10S, 13S, 17S
22	15HB	Heavy-Duty Vehicle Bracket All 20-30 lb
N/S	AD23	Recharge Adapter
N/S	HTA7	Hydrostatic Test Adapter

WET CHEMICAL

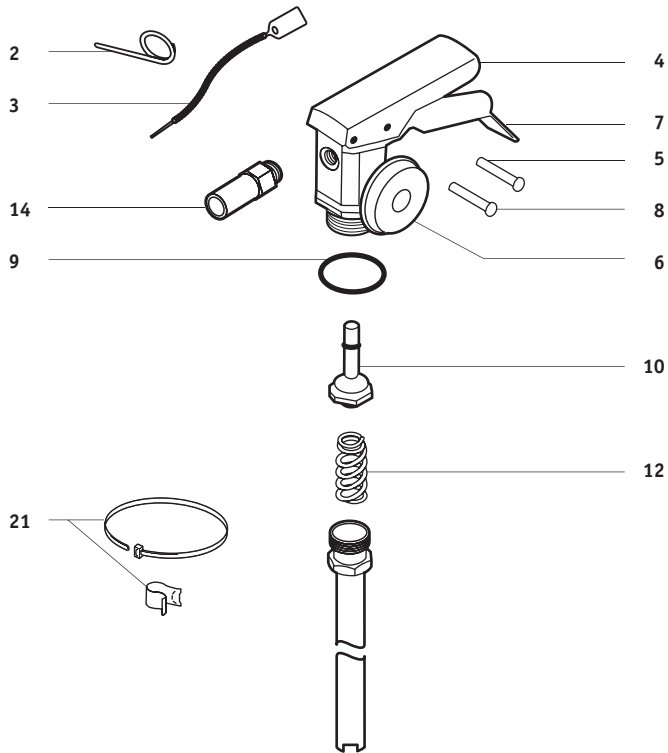
6 L, 2.5 gal

FIG.	P/N	SERVICE & MAINTENANCE PART DESCRIPTION
2		Pull Pin, Stainless Steel (See Page 248)
3		Tamper Seal (See Page 246)
4	900322W	Lever
5	900053W	Lever Rivet
6	G100K	Gauge - 100 psi
7	900919W	Handle
8	900052W	Handle Rivet
9	900916W	Collar O-Ring
10	900921W	Valve Stem Assembly
12	900928W	Spring
13	300465W	Siphon Tube, 6 L
13	300464W	Siphon Tube, 2.5 gal
13A	900930W	Siphon Tube O-Ring
14	WC6LDA	Hose & Wand Assembly w/ Nozzle, 6 L
14	900637W	Hose & Wand Assembly w/ Nozzle, 2.5 gal
14A	NOZ001WCA	Nozzle Assembly, 6 L
15	900941W	Hose O-Ring
N/S	BK600872	Wet Chemical Charge, 6 L

FIG.	P/N	ACCESSORY PART DESCRIPTION
1D	AV1	Pressure Valve & Cap Assembly
N/S	AVC	Pressure Cap, Pkg/50
N/S	CORE	Pressure Valve Core, Pkg/50
21		Universal Hose Strap/Clip (See Page 254)
22	15HB	Heavy-Duty Vehicle Bracket
N/S	HTA10	Hydrostatic Test Adapter



11 BUCKEYE - FIRE EXTINGUISHER PARTS



DRY CHEMICAL

2 STD-100, 2 PK-100, 2.5 STD-100, 2.5 ABC-100, 2.5 PK-100, M-5 ABC-II-100,
2.5 SA ABC, 2.5 SA STD, 2.5 SA PK

HALON 1211

1-1211, 2.2-1211, 2.5-1211

HALOTRON I

2.5 lb & 3 lb Models, 2.5 F SA, 2.5 H SA

FIG. P/N SERVICE & MAINTENANCE PART DESCRIPTION

2		Pull Pin (See Page 248)
3		Tamper Seal (See Page 246)
4	900217W	Lever
5	900050W	Lever Rivet
6	G100	Gauge - 100 All Dry Chemical
6	G100H	Gauge - 100 (Halon) All Halon
6	G100T	Gauge - 100 (Halotron I) All Halotron I
7	900218W	Handle (Steel Cylinders)
8	900049W	Handle Rivet
9	900004W	Collar O-Ring (Aluminum Cylinders) Dry Chemical, Halon 1211
9	900001W	Collar O-Ring (Steel Cylinders) Dry Chemical, Halon 1211
9	900013W	Collar O-Ring (Steel Cylinders) Halotron I
10	103215W	Valve Stem All Dry Chemical
10	103214W	Valve Stem All Halon
10	103216W	Valve Stem All Halotron I
12	900105W	Spring
14	101145W	Nozzle 2.5 ABC-100, 2.5 STD-100

FIG. P/N ACCESSORY PART DESCRIPTION

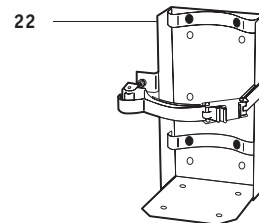
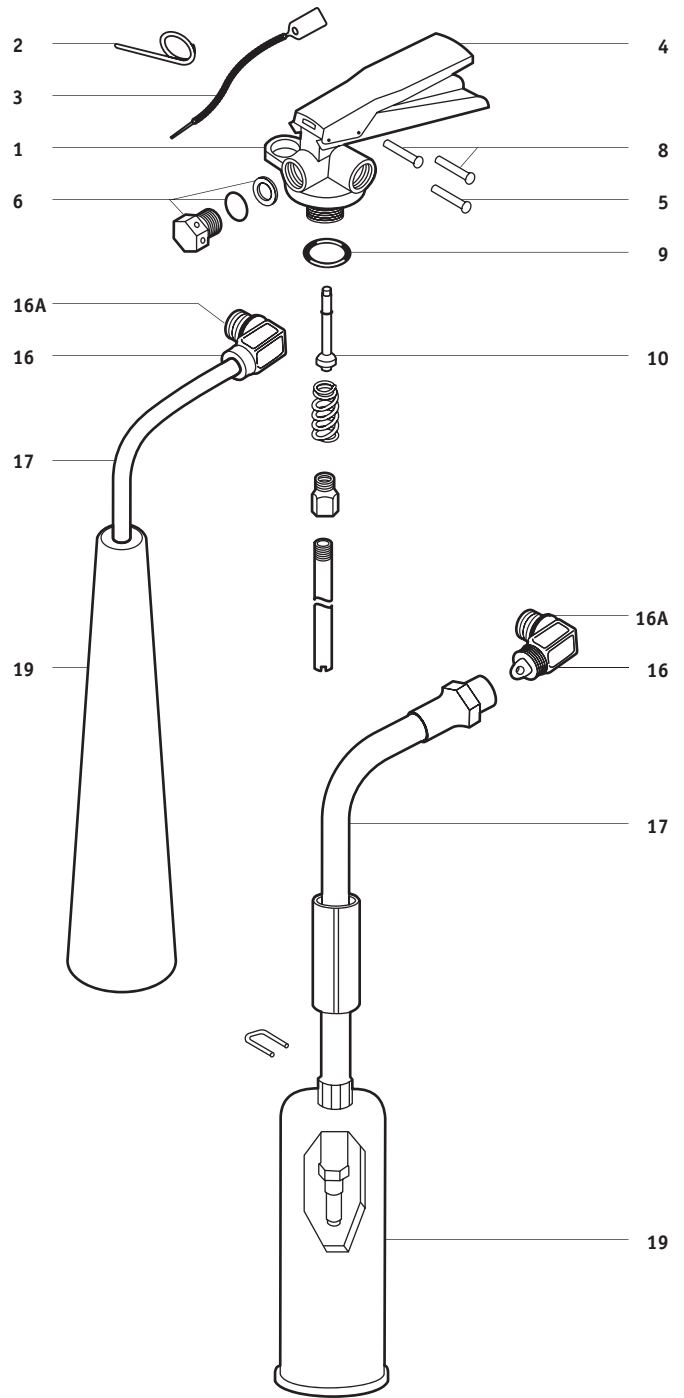
21		Universal Hose Strap/Clip (See Page 254) M5 ABC-II-100
N/S	AD23	Recharge Adapter
N/S	HTA7	Hydrostatic Test Adapter

CARBON DIOXIDE

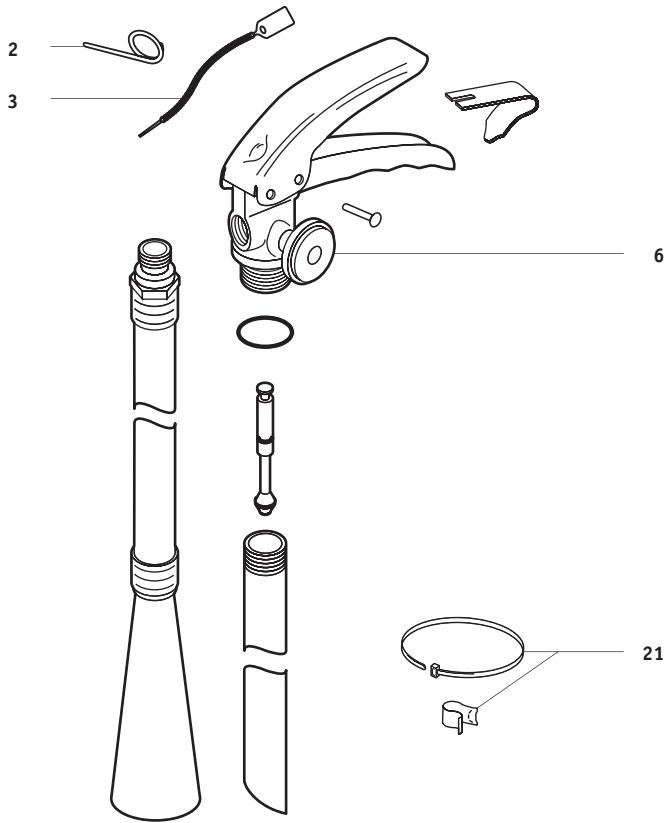
451, 456, 461, 466

FIG.	P/N	SERVICE & MAINTENANCE PART DESCRIPTION
1	149250WD	Valve Assembly
2		Pull Pin, Stainless Steel (See Page 248)
3		Tamper Seal (See Page 246)
4	900322W	Lever (200083)
5	900053W	Lever Rivet
6	200081W	Safety Disc, Gasket, & Nut Assembly
8	900052W	Handle Rivet
9	900329W	Collar O-Ring
10	900321W	Valve Stem Assembly
16	450202W	Elbow w/ O-Ring 5 lb
16A	900331W	Elbow O-Ring
17	453231W	Hose & Nozzle Assembly 10, 15, 20 lb
17	900310W	Swivel - Discharge Tube 5 lb
19	900313W	Horn 5 lb
19	900314W	Horn w/ Handle 10, 15, 20 lb

FIG.	P/N	ACCESSORY PART DESCRIPTION
N/S	RDS15	Hose Strap 10-15 lb
N/S	RDS20	Hose Strap 20 lb
N/S	RDBACLIP	Horn Clip 10, 15, 20 lb
N/S	SET6	Hardware Set 10, 15, 20 lb
N/S	BL209	Replacement Nameplate (Non-UL) 5 lb
N/S	BL210	Replacement Nameplate (Non-UL) 10-20 lb
N/S	WH5	Wall Hanger 5 lb
N/S	WH15	Wall Hanger 10, 15 lb
N/S	WH20	Wall Hanger 20 lb
22	5HB	Heavy-Duty Vehicle Bracket 5 lb
22	15HB	Heavy-Duty Vehicle Bracket 10, 15 lb
22	20HB	Heavy-Duty Vehicle Bracket 20 lb



11 FLAG - FIRE EXTINGUISHER PARTS

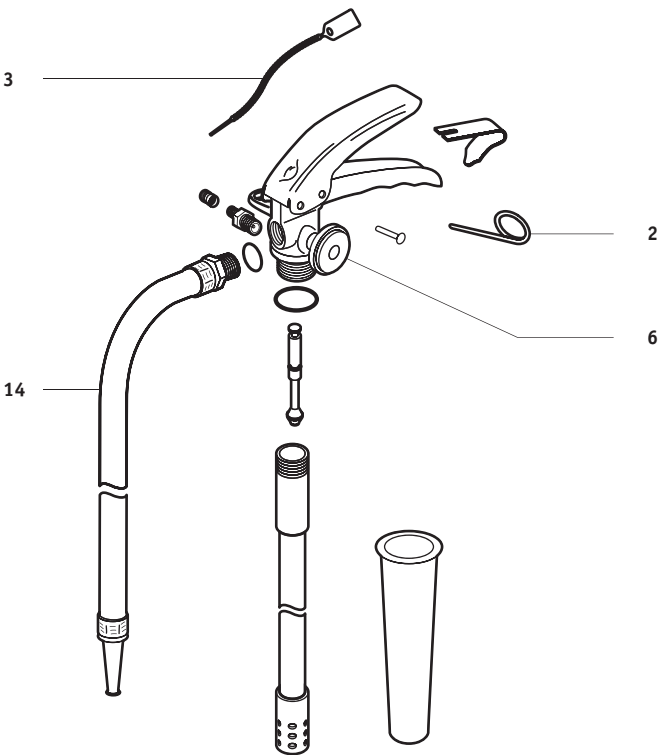


DRY CHEMICAL

10-30 lb G, H

FIG.	P/N	SERVICE & MAINTENANCE PART DESCRIPTION
2		Pull Pin (See Page 248)
3		Tamper Seal (See Page 246)
6	G175	Gauge - 175

FIG.	P/N	ACCESSORY PART DESCRIPTION
21		Universal Hose Strap/Clip (See Page 254)
N/S	AD24	Recharge Adapter
N/S	HTA7	Hydrostatic Test Adapter



WATER

W02

WET CHEMICAL

K01

FIG.	P/N	SERVICE & MAINTENANCE PART DESCRIPTION
2		Pull Pin (See Page 248)
3		Tamper Seal (See Page 246)
6	G100WS	Gauge - 100
14	439495AS	Hose & Nozzle Assembly K01

FIG.	P/N	ACCESSORY PART DESCRIPTION
N/S		Universal Hose Strap/Clip (See Page 254)
N/S	15HB	Heavy-Duty Vehicle Bracket
N/S	WH20	Wall Hanger

DRY CHEMICAL

ProPlus 2.5MP, 5MP

HALOTRON I

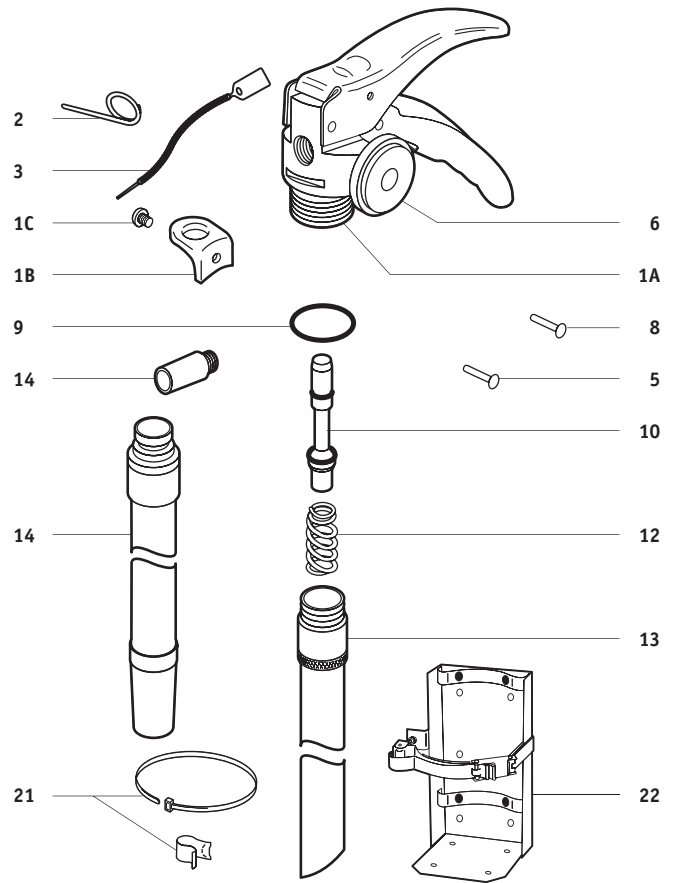
ProPlus 2.5HM, 5HM

FIG. P/N SERVICE & MAINTENANCE PART DESCRIPTION

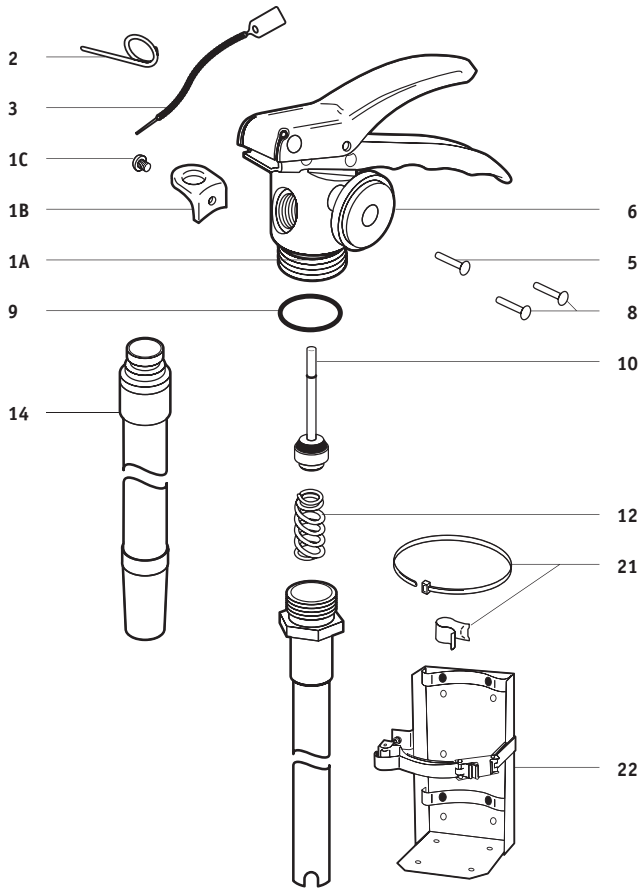
1A	19520B	Valve Body
1B	8516B	Hanger Loop
1C	19622B	Hanger Loop Screw
2		Pull Pin (See Page 248)
3		Tamper Seal (See Page 246)
5	18404B	Lever Rivet
6	G195	Gauge - 195 All Dry Chemical
6	G100T	Gauge - 100 (Halotron I) All Halotron I
8	16517B	Handle Rivet
9	20745B	Collar O-Ring All Dry Chemical
9	23074B	Collar O-Ring All Halotron I
10	19010B	Valve Stem All Dry Chemical
10	23068B	Valve Stem All Halotron I
12	19393B	Spring
13	19825B	Siphon Tube
14	14816B	Nozzle 2.5MP
14	19548B	Hose & Nozzle Assembly 5MP

FIG. P/N ACCESSORY PART DESCRIPTION

21		Universal Hose Strap (See Page 254)
N/S	WH5	Wall Hanger
N/S	MB250	Vehicle Bracket 2.5MP
N/S	MB5	Vehicle Bracket 5MP
22	5DC	Heavy-Duty Vehicle Bracket 5MP
N/S	AD21	Recharge Adapter
N/S	HTA45	Hydrostatic Test Adapter



11 KIDDE - FIRE EXTINGUISHER PARTS



DRY CHEMICAL

ProPlus 10MP, 20MP

FIG.	P/N	SERVICE & MAINTENANCE PART DESCRIPTION
1A	16459B	Valve Body
1B	8516B	Hanger Loop
1C	19622B	Hanger Loop Screw
2		Pull Pin (See Page 248)
3		Tamper Seal (See Page 246)
5	16633B	Lever Rivet
6	G195	Gauge - 195
8	23354B	Handle Rivet
9	20746B	Collar O-Ring
10	12426B	Valve Stem
12	7630B	Spring
14	22601B	Hose & Nozzle Assembly 10MP

FIG.	P/N	ACCESSORY PART DESCRIPTION
21		Universal Hose Strap (See Page 254)
N/S	WH5	Wall Hanger 10MP
N/S	WH15	Wall Hanger 20MP
22	5HB	Heavy-Duty Vehicle Bracket 10MP
22	15HB	Heavy-Duty Vehicle Bracket 20MP
N/S	AD24	Recharge Adapter
N/S	HTA44	Hydrostatic Test Adapter

HALOTRON I

ProPlus 11HM, 15.5HM

FIG.	P/N	SERVICE & MAINTENANCE PART DESCRIPTION
1B	23358B	Hanger Loop
1C	21390B	Hanger Loop Screw
2		Pull Pin (See Page 248)
3		Tamper Seal (See Page 246)
5	16633B	Lever Rivet
6	G125T	Gauge-125 (Halotron I) All Halotron I
8	23354B	Handle Rivet
9	23089B	Collar O-Ring
10	23086B	Valve Stem
12	7630B	Spring

FIG.	P/N	ACCESSORY PART DESCRIPTION
21		Universal Hose Strap (See Page 254)
N/S	WH5	Wall Hanger 11HM
N/S	WH15	Wall Hanger 15.5HM
22	5HB	Heavy-Duty Vehicle Bracket 11HM
22	15HB	Heavy-Duty Vehicle Bracket 15.5HM
N/S	AD24	Recharge Adapter
N/S	HTA44	Hydrostatic Test Adapter

DRY CHEMICAL

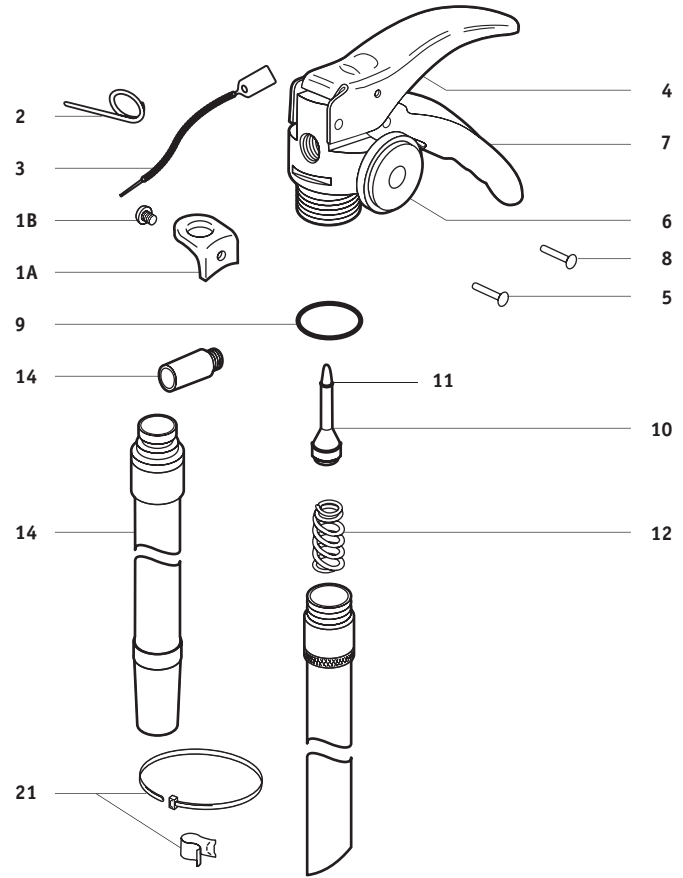
PRO2.5TCM-8, PRO4TCM-8, PRO5TCM-8, PRO10TCM-9, PRO10TCM-8, PRO20TCM-9, PRO20TCM-8

FIG. P/N SERVICE & MAINTENANCE PART DESCRIPTION

1A	8516B	Hanger Loop
1B	19622B	Hanger Loop Screw
2		Pull Pin (See Page 248)
3		Tamper Seal (See Page 246)
4	21007875B	Lever
5	320750B	Lever Rivet
6	G100	Gauge - 100
6	G195	Gauge - 195
7	300558K	Handle
7	21007874B	Handle
		1.5-10 lb
		20 lb
8	320751B	Handle Rivet
9	340035K	Collar Seal
10	440068K	Valve Stem
11	259772K	Valve Stem O-Ring
12	322063B	Spring
N/S	320167K	Siphon Tube O-Ring
14	21006335B	Hose & Nozzle Assembly
		5 lb
14	21007908B	Hose & Nozzle Assembly
		10 lb

FIG. P/N ACCESSORY PART DESCRIPTION

21		Universal Hose Strap/Clip (See Page 254)
N/S	1141K	Wall Hanger
		2.5 lb
N/S	23704B	Wall Hanger
		4-10 lb
N/S	14260K	Wall Hanger
		20 lb
N/S	AD23	Recharge Adapter
N/S	HTA18	Hydrostatic Test Adapter



11 KIDDE - FIRE EXTINGUISHER PARTS

DRY CHEMICAL

PRO2.5TCM-6, PRO2.62TCM-5, PRO2.5MP, PRO2.75RM-6, PRO2.75RM-5, PRO2.75R, PRO4TCM-6, PRO4TCM-4, PRO4MP, PRO5TCM-6, PRO5TCM-4, PRO5MP, PRO6RM-4, PRO6R, PRO10TCM-6, PRO10TCM-5, PRO10TCM-4, PRO10MP, PRO10RM-5, PRO10RM-4, PRO10R, PRO10PKM-3, PRO10PK, PRO20TCM-6, PRO20TCM-5, PRO20TCM-4, PRO20MP, PRO20RM-5, PRO20RM-4, PRO20R, PRO20PKM-5, PRO20PKM-3, PRO20PK

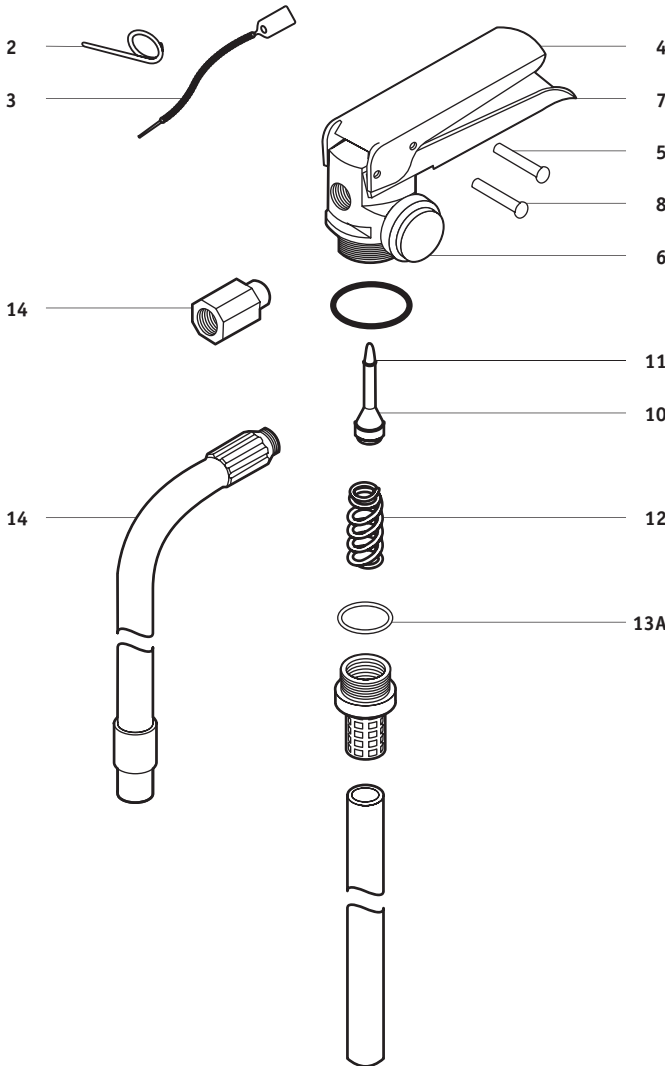
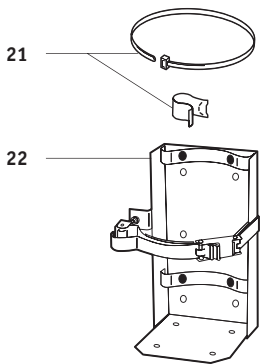


FIG. P/N SERVICE & MAINTENANCE PART DESCRIPTION

2		Pull Pin (See Page 248)
3		Tamper Seal (See Page 246)
4	18363B	Lever
5	18404B	Lever Rivet
8		Gauge - 100 2.5-4 lb
6	G100	Gauge - 195 5-20 lb
6	G195	
7	18361B	Handle
8	16517B	Handle Rivet
10	440068K	Valve Stem
11	259772K	Valve Stem O-Ring
12	320732K	Spring
13A	320167K	Siphon Tube O-Ring
14	440089K	Hose & Nozzle Assembly PRO5TCM-4, PRO5MP
14	440330K	Hose & Nozzle Assembly PRO20TCM-5, PRO20MP

FIG. P/N ACCESSORY PART DESCRIPTION

21		Universal Hose Strap/Clip (See Page 254)
N/S	340357K	Wall Hanger All 2.5-2.75 lb
N/S	340358K	Wall Hanger All 4-6 lb
N/S	340791K	Wall Hanger All 10 lb
22	5DC	Heavy-Duty Vehicle Bracket All 4-6 lb
22	5HB	Heavy-Duty Vehicle Bracket All 10 lb
22	15HBL	Heavy-Duty Vehicle Bracket All 20 lb
N/S	AD23	Recharge Adapter
N/S	HTA45	Hydrostatic Test Adapter
N/S	HTA18	Hydrostatic Test Adapter



DRY CHEMICAL (To 1991)

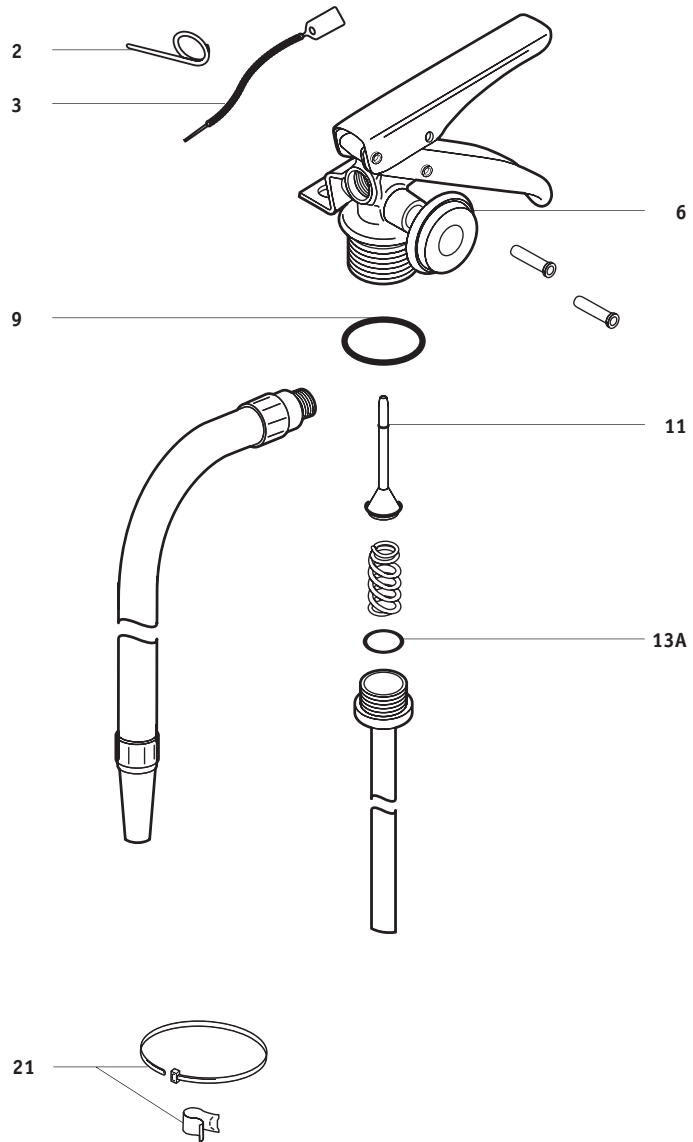
2 3/4RM, 2 5/8TCM, 5TCM, 6RM, 6TCM, 10RM, 10RM-1, 10TCM, 10TCM-1, 20RM, 20RM-1, 20TCM, 20TCM-1

HALON 1211 (To 1991)

2.5HM, 5HM, 9HM, 13HM-1, 17HM-1, 20HM-1

FIG.	P/N	SERVICE & MAINTENANCE PART DESCRIPTION
2		Pull Pin (See Page 248)
3		Tamper Seal (See Page 246)
6	G100	Gauge - 100 All 2.6-4 lb Dry Chemical
6	G195	Gauge - 195 All 5-20 lb Dry Chemical
6	G100H	Gauge - 100 (Halon) All 2.5-6 lb Halon
6	G195H	Gauge - 195 (Halon) All 9-20 lb Halon
9	340035K	Collar Seal All Dry Chemical, Except 20 lb RM, RM-1, TCM, TCM-1
9	340037K	Collar Seal 10-20 lb RM, RM-1, TCM, TCM-1
11	259772K	Valve Stem O-Ring All Dry Chemical
13A	320167K	Siphon Tube O-Ring

FIG.	P/N	ACCESSORY PART DESCRIPTION
21		Universal Hose Strap/Clip (See Page 254)
N/S	1141K	Wall Hanger (Replaces 320075 & 320688K) 2-10 lb RM, TCM, 5-13 lb Halon
N/S	466400K	Vehicle Bracket (Replaces 896697) 6RM, 6TCM, 5TCM, 5HM, 9HM
N/S	466401K	Vehicle Bracket (Replaces 896698) 2 3/4RM, 2 5/8TCM, 2.5HM
N/S	AD35	Recharge Adapter
N/S	AD23	Recharge Adapter
N/S	HTA18	Hydrostatic Test Adapter
N/S	HTA5	Hydrostatic Test Adapter



11 KIDDE - FIRE EXTINGUISHER PARTS

DRY CHEMICAL (From 1991)

2 3/4RM-2, -3, -4, 2 5/8TCM-2, -3, -4, 4TCM-3, 5TCM-2, -3, 6RM-2, -3, 10RM-2, 10TCM-2, 20RM-2, -3, 20TCM-2, -3

HALON 1211 (From 1991)

2.5HM-2, -3, 5HM-2, -3, 9HM-2, -3, 13HM-3, 17HM-2, 20HM-2

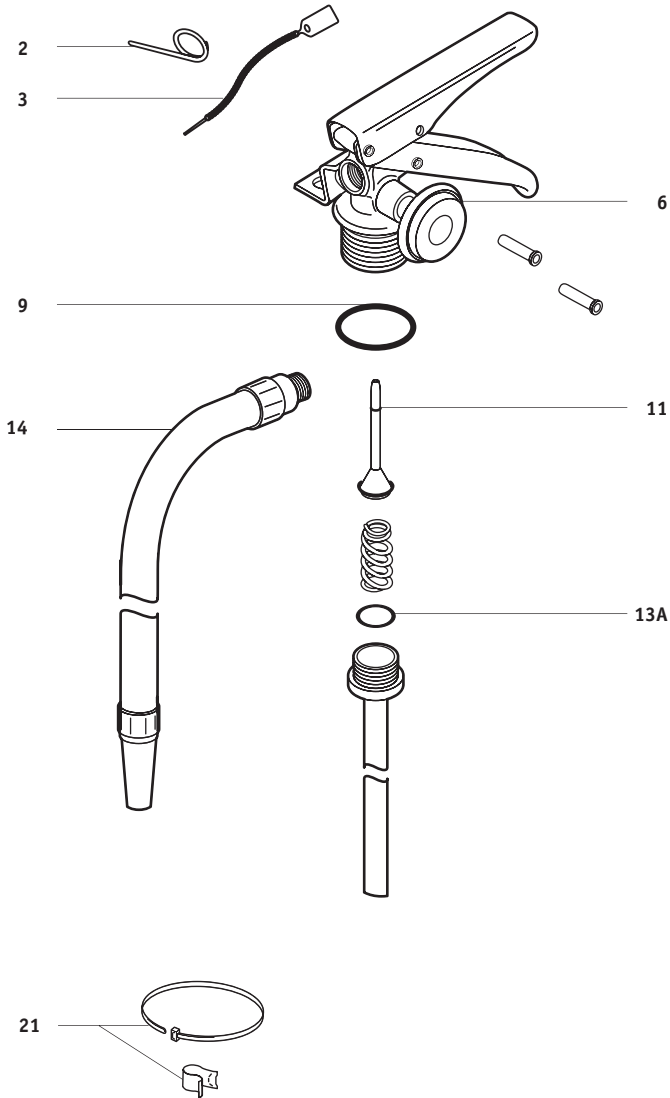


FIG. P/N SERVICE & MAINTENANCE PART DESCRIPTION

2		Pull Pin (See Page 248)
3		Tamper Seal (See Page 246)
6	G100	Gauge - 100 All 2.6-4 lb Dry Chemical
6	G195	Gauge - 195 All 5-20 lb Dry Chemical
6	G100H	Gauge - 100 (Halon) All 2.5-6 lb Halon
6	G195H	Gauge - 195 (Halon) All 9-20 lb Halon
9	340035K	Collar Seal All Dry Chemical
11	259772K	Valve Stem O-Ring All Dry Chemical
13A	320167K	Siphon Tube O-Ring
14	440089K	Hose & Nozzle Assembly 5TCM-2, 5TCM-3

FIG. P/N ACCESSORY PART DESCRIPTION

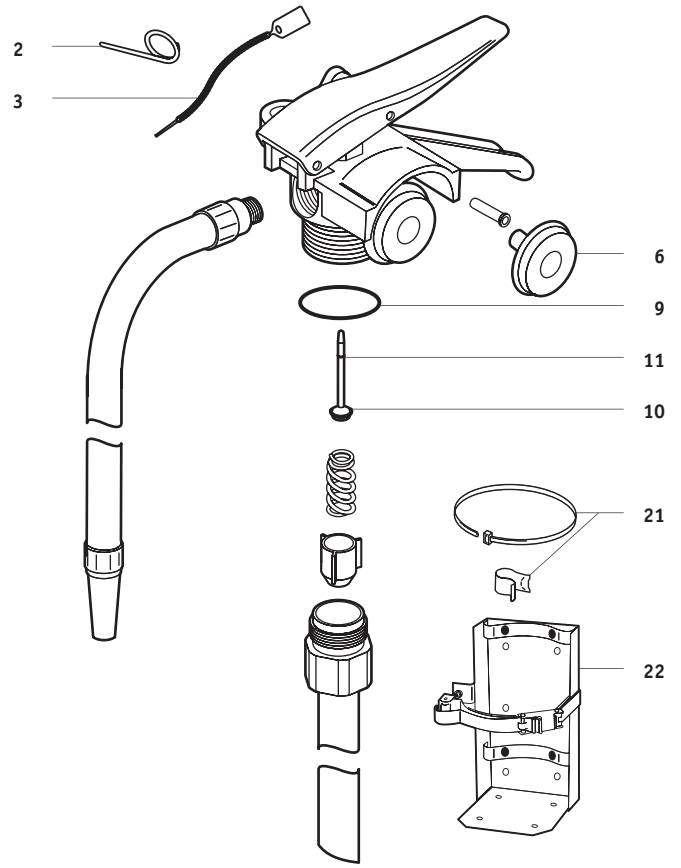
21		Universal Hose Strap/Clip (See Page 254)
N/S	1141K	Wall Hanger (Replaces 320075 & 320688K) 5TCM-2, 6RM-2, 10RM-2, -3, 10TCM-2, -3, 5-13 lb Halon
N/S	466400K	Vehicle Bracket (Replaces 896697) 5TCM-2, 6RM-2, 5HM-2, 9HM-2
N/S	466401K	Vehicle Bracket (Replaces 896698) 2 3/4RM-2, -3, 2 5/8TCM-2, -3, 2.5HM-2
N/S	AD23	Recharge Adapter
N/S	HTA18	Hydrostatic Test Adapter

DRY CHEMICAL

10RAS-3, -4, -5, -6, 10TAS-3, -4, -5, -6, 20RAS-3, -4, -5, -6, -7, 20TAS-3, -4, -5, -6, -7, 30RAS-3

FIG.	P/N	SERVICE & MAINTENANCE PART DESCRIPTION
2		Pull Pin (See Page 248)
3		Tamper Seal (See Page 246)
6	G195	Gauge - 195 All 10 lb, 20RAS-7, 20TAS-7
6	G235	Gauge - 235 All 20 lb, 30RAS-3, Except 20RAS-7, 20TAS-7
9	340037K	Collar Seal 1985 & After
9	64350218K	Collar O-Ring 1985 & Before
10	877546K	Valve Stem Assembly
11	259772K	Valve Stem O-Ring

FIG.	P/N	ACCESSORY PART DESCRIPTION
21		Universal Hose Strap/Clip (See Page 254)
N/S	WH5	Wall Hanger 10 lb
22	5HB	Heavy-Duty Vehicle Bracket 10 lb
22	15HB	Heavy-Duty Vehicle Bracket 20-30 lb
N/S	AD34	Recharge Adapter
N/S	HTA5	Hydrostatic Test Adapter

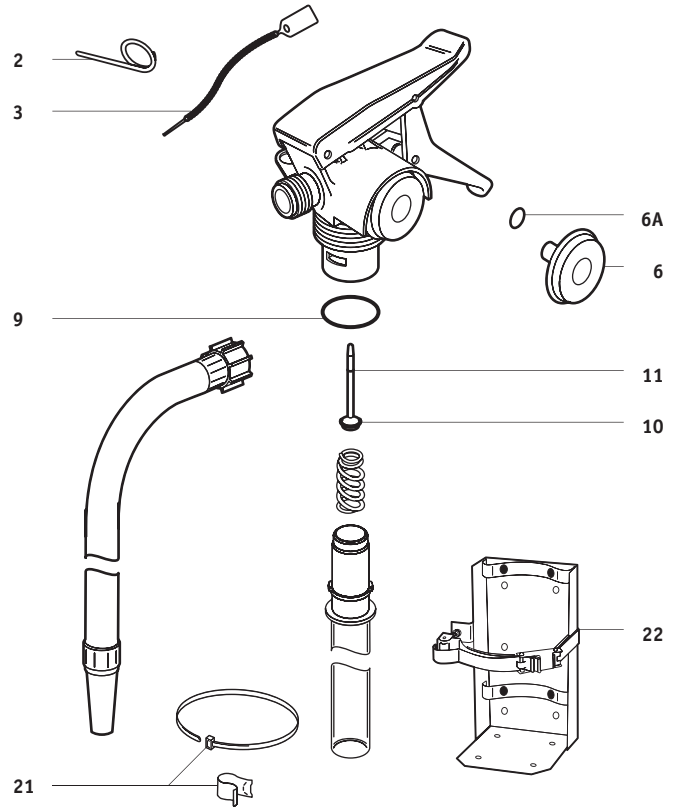


DRY CHEMICAL

10TAP, 10RAP, XL10TCZ, XL10RZ, FA460

FIG.	P/N	SERVICE & MAINTENANCE PART DESCRIPTION
2		Pull Pin (See Page 248)
3		Tamper Seal (See Page 246)
6	293266K	Gauge - 195
6A	259535K	Gauge O-Ring
9	340037K	Collar Seal Newer w/ Molded Seal
10	877546K	Valve Stem
11	259772K	Valve Stem O-Ring

FIG.	P/N	ACCESSORY PART DESCRIPTION
21		Universal Hose Strap/Clip (See Page 254)
N/S	WH5	Wall Hanger
22	5HB	Vehicle Bracket
N/S	AD32	Recharge Adapter
N/S	HTA39	Hydrostatic Test Adapter



11 KIDDE - FIRE EXTINGUISHER PARTS

CARBON DIOXIDE

5CDM, 5KS-3, 10CDM, 10KS-3, 15CDM, 15KS-3, 15KS-4, 20CDM, 20KS-4

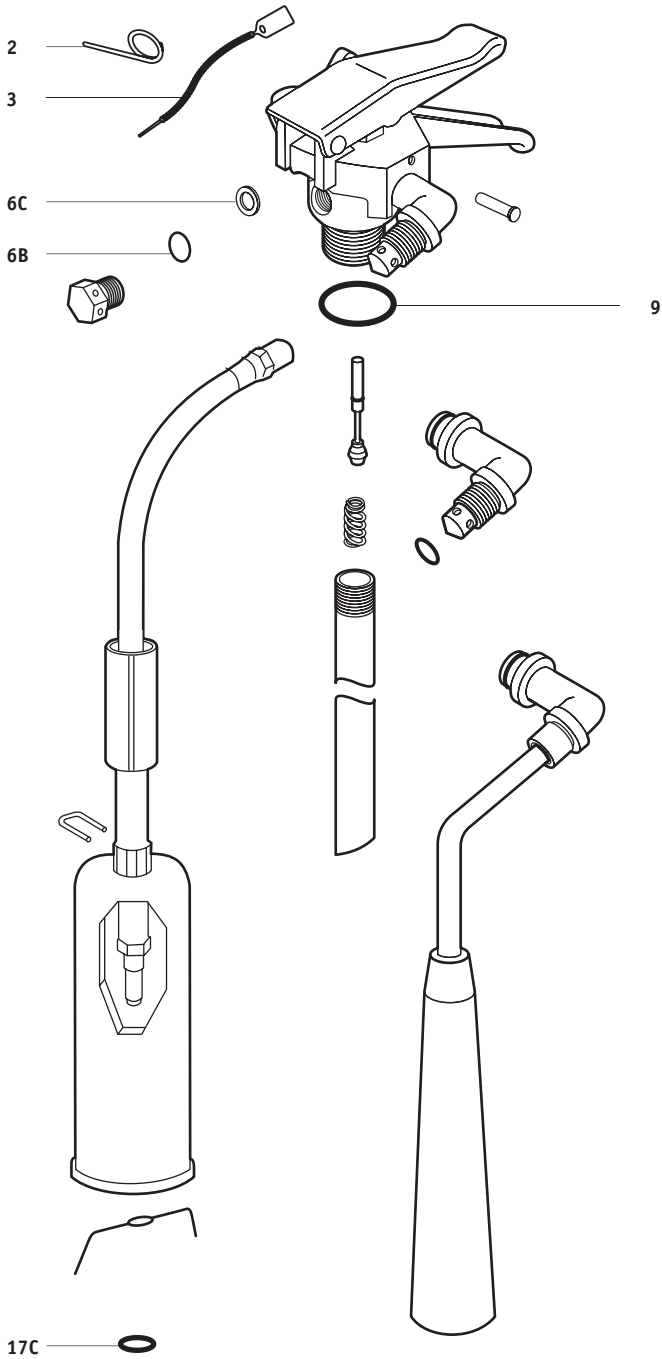
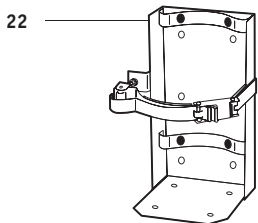


FIG.	P/N	SERVICE & MAINTENANCE PART DESCRIPTION
2		Pull Pin (See Page 248)
3		Tamper Seal (See Page 246)
6B	260299K	Safety Disc
6C	258443K	Safety Disc Gasket
9	320130K	Collar O-Ring
17C	213885K	Push Nut

FIG.	P/N	ACCESSORY PART DESCRIPTION
N/S	RDS15	Strap 10, 15 lb
N/S	RDS20	Strap 20 lb
N/S	RDBACLIP	Horn Clip 10-20 lb
N/S	SET6	Hardware Set 10-20 lb
N/S	BL209	Replacement Nameplate (Non-UL) 5 lb
N/S	BL210	Replacement Nameplate (Non-UL) 10-20 lb
N/S	WH5	Wall Hanger 5 lb
N/S	WH15	Wall Hanger 10, 15 lb
N/S	WH20	Wall Hanger 20 lb
22	5HB	Heavy-Duty Vehicle Bracket 5 lb
22	15HB	Heavy-Duty Vehicle Bracket 10, 15 lb
22	20HB	Heavy-Duty Vehicle Bracket 20 lb

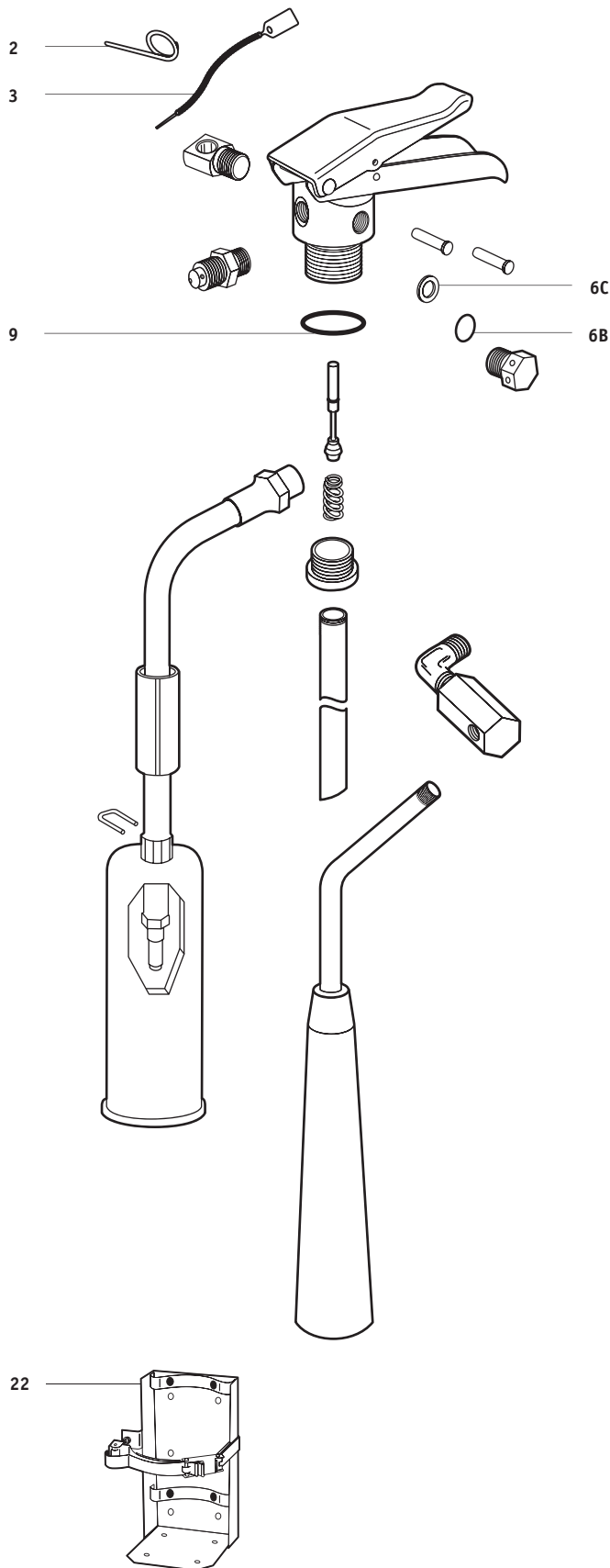


CARBON DIOXIDE

5CDM-1, 5CDM-2, 10CDM-1, 10CDM-2, 15CDM-1, 15CDM-2, 20CDM-1, 20CDM-2

FIG.	P/N	SERVICE & MAINTENANCE PART DESCRIPTION
2		Pull Pin (See Page 248)
3		Tamper Seal (See Page 246)
6B	260299K	Safety Disc
6C	258443K	Safety Disc Gasket
9	320130K	Collar O-Ring

FIG.	P/N	ACCESSORY PART DESCRIPTION
N/S	RDS15	Strap All 10, 15 lb
N/S	RDS20	Strap 20 lb
N/S	RDBACLIP	Horn Clip 10-20 lb
N/S	SET6	Hardware Set 10-20 lb
N/S	BL209	Replacement Nameplate (Non-UL) 5 lb
N/S	BL210	Replacement Nameplate (Non-UL) 10, 15, 20 lb
N/S	WH5	Wall Hanger 5 lb
N/S	WH15	Wall Hanger 10, 15 lb
N/S	WH20	Wall Hanger 20 lb
22	5HB	Heavy-Duty Vehicle Bracket 5 lb
22	15HB	Heavy-Duty Vehicle Bracket 10, 15 lb
22	20HB	Heavy-Duty Vehicle Bracket 20 lb



Carbon Dioxide Pro CDM-3 Models with "Model B-9" Valves manufactured by Badger, see page 287.

11 STRIKE FIRST - FIRE EXTINGUISHER PARTS

DRY CHEMICAL (Large Valve) SF-5, SF-5HP, SF-10, SF-20

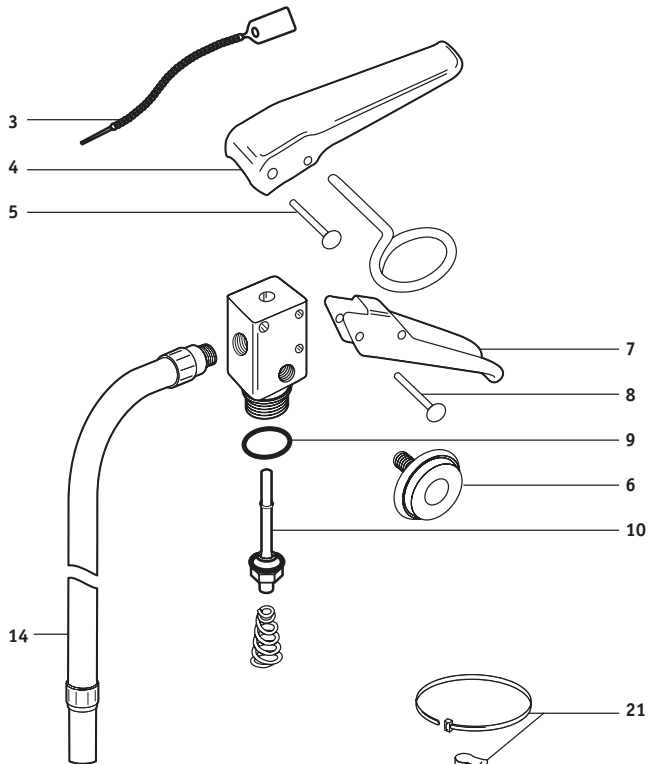
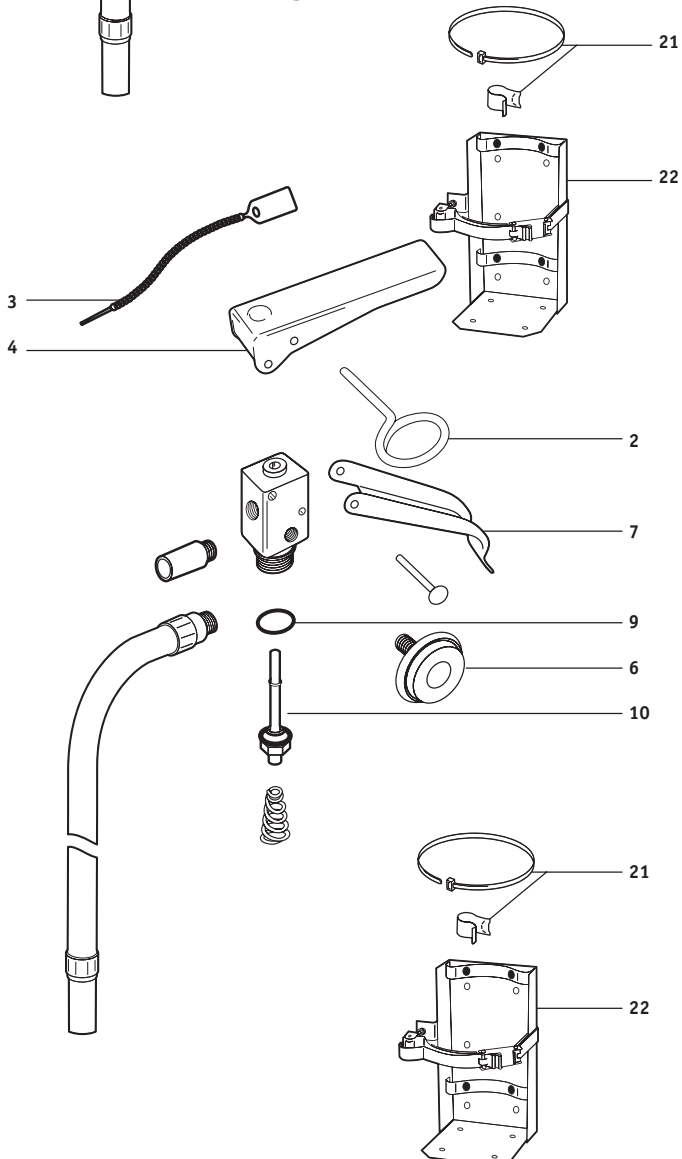


FIG	P/N	SERVICE & MAINTENANCE PART DESCRIPTION
3		Tamper Seal (See Page 246)
4	160414SF	Lever 5-20 lb
5	162803SF	Lever Rivet
6	G195	Gauge - 195 5 lb
6	G235	Gauge - 235 10-20 lb
7	160395SF	Handle 5-20 lb
8	162803SF	Handle Rivet
9	161345SF	Collar O-Ring
10	161428SF	Valve Stem
14	161605SF	Hose & Nozzle Assembly SF - 5

FIG.	P/N	ACCESSORY PART DESCRIPTION
21		Universal Hose Strap (See Page 254)
22	5DC	Heavy-Duty Vehicle Bracket 5 lb
N/S	AD24	Recharge Adapter
N/S	HTA7	Hydrostatic Test Adapter



DRY CHEMICAL (Small Valve) SF-2.5, SF-5 & SF-5HP

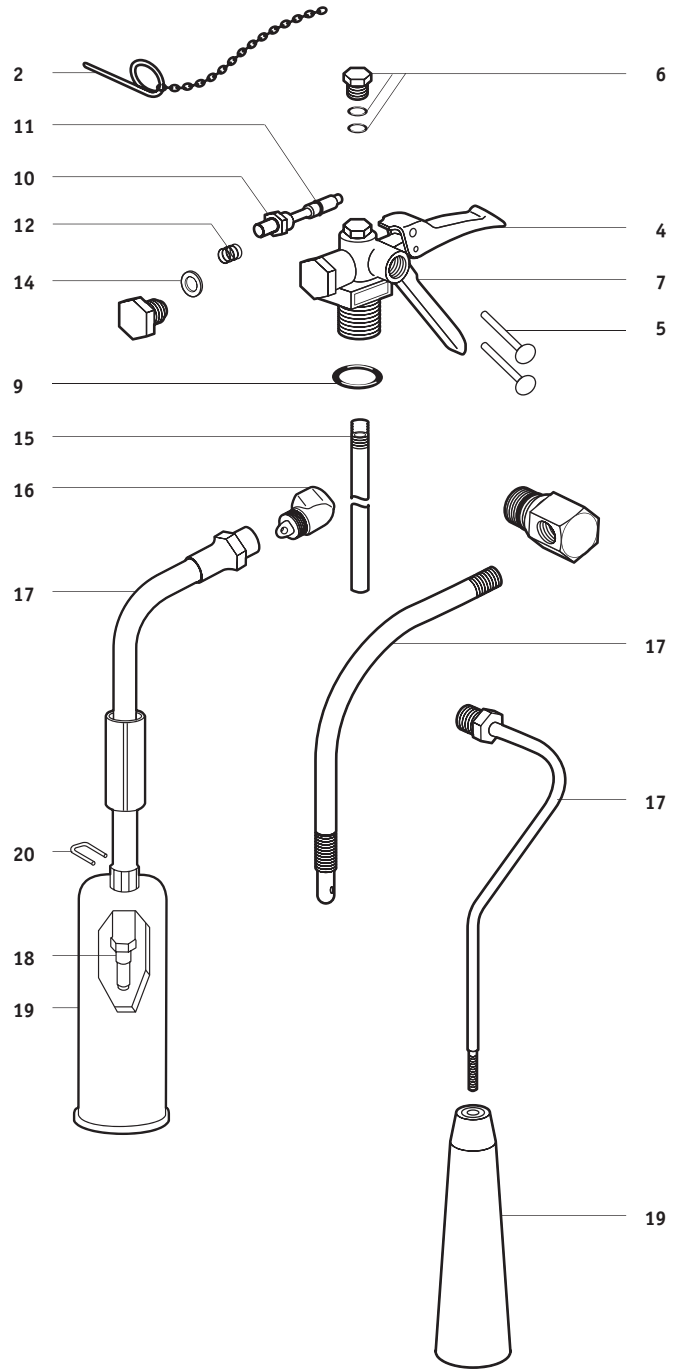
FIG	P/N	SERVICE & MAINTENANCE PART DESCRIPTION
2		Pull Pin (See Page 248)
3		Tamper Seal (See Page 246)
4	110414SF	Lever 2.5 lb
6	G150	Gauge - 150 2.5 lb
6	G195	Gauge - 195 5 lb
7	110396SF	Handle
9	110345SF	Collar O-Ring
10	110427SF	Valve Stem

FIG.	P/N	ACCESSORY PART DESCRIPTION
21		Universal Hose Strap (See Page 254)
N/S	AD23	Recharge Adapter
22	5DC	Heavy-Duty Vehicle Bracket 5 lb

CARBON DIOXIDE FIRE EXTINGUISHER VALVES

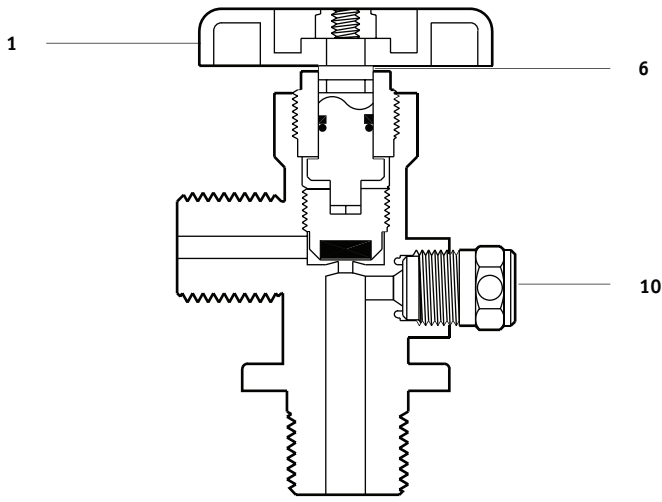
5 - 20 lb, Fyr-Fyter, C-0-TWO, RS, Superior, BHV50, BHV100

FIG	P/N	SERVICE & MAINTENANCE PART DESCRIPTION
2	NPPS	Pull Pin, Stainless Steel <i>RS, Superior</i>
4	RS0102	Lever (P5970-8S) <i>RS, Superior</i>
4	4BHV	Lever <i>BHV50, BHV100</i>
5	RV10	Lever Rivet <i>RS</i>
5	RS0103	Lever Roll Pin (P5970-6S) <i>RS, Superior</i>
5	5BHV	Lever & Handle Rivet Set <i>BHV50, BHV100</i>
6	RS5	Safety Disc, Washer & Nut Assembly <i>RS</i>
6	16ASV	Safety Disc (PI200-16AS) <i>Superior Military-Style Extinguisher</i>
6	C16SV	Safety Disc (P5970-16S) <i>Superior 5-20 lb</i>
6	C15SV	Washer (P6038A-15SB) <i>Superior 5-20 lb</i>
6	50116F	Washer <i>Fyr-Fyter, C-0-Two</i>
6	50115F	Safety Disc <i>Fyr-Fyter, C-0-Two</i>
6	6BHV	Safety Disc, Washer & Nut Assembly <i>BHV50, BHV100</i>
7	RS0104	Handle (P6037-12SS) <i>RS, Superior</i>
9	OR295	Collar O-Ring <i>RS PSH-A, PSH-5AL</i>
10	418682AS	Valve Stem (P5970-21SB, RS-0108) <i>RS, Superior</i>
10	10BHV	Valve Stem <i>BHV50, BHV100</i>
11	OR4	Valve Stem O-Ring <i>RS, Superior</i>
12	12BHV	Spring <i>BHV50, BHV100</i>
14	RS0110	Copper Seal, Lead Coated, Pkg/10 <i>RS</i>
14	14BHV	Copper Seal <i>BHV50, BHV100</i>
15		Siphon Tube
16	EL250	1/4" Elbow & Diffuser <i>All 10-20 lb</i>
16	EL375	3/8" Elbow & Diffuser <i>All 10-20 lb</i>
N/S	DCT	Discharge Tube <i>Fyr-Fyter, C-0-Two 2.5-5 lb</i>
17	SW50	Swivel Discharge Assembly <i>RS, Superior, BHV50 2.5-5 lb</i>
17		Hose Assembly (See Page 253) <i>All 10-20 lb</i>
18	RDN	Diffuser <i>All 10-20 lb</i>
19	STB114	Horn <i>5 lb w/ Diffuser in Discharge Tube</i>
19	RDH10	Horn w/ Handle <i>10 lb</i>
19	RDH15	Horn w/ Handle <i>15-20 lb</i>
20	RDC	Diffuser Clip <i>10-20 lb</i>



11 SHERWOOD - FIRE EXTINGUISHER PARTS

"GLOBAL" SERIES



CARBON DIOXIDE & NITROGEN COMMERCIAL VALVES

GV Series "Global" Industrial Valves (CV50, CV75, CV100, CV100A, NV75, NV100)

FIG.	P/N	SERVICE & MAINTENANCE PART DESCRIPTION
1	A1919GV	Handwheel, Aluminum
1	L1919GV	Handwheel, Plastic
6	30101GV	Bonnet & Operating Stem Assembly
10	N928GV	Safety Plug, Disc & Gasket Carbon Dioxide (For DOT 1800 Cylinders)
10	N932GV	Safety Plug, Disc & Gasket Nitrogen (For DOT 2015 Cylinders)
N/S	OR39	Collar O-Ring GV Valves w/ Straight Threads (For Aluminum Cylinders)

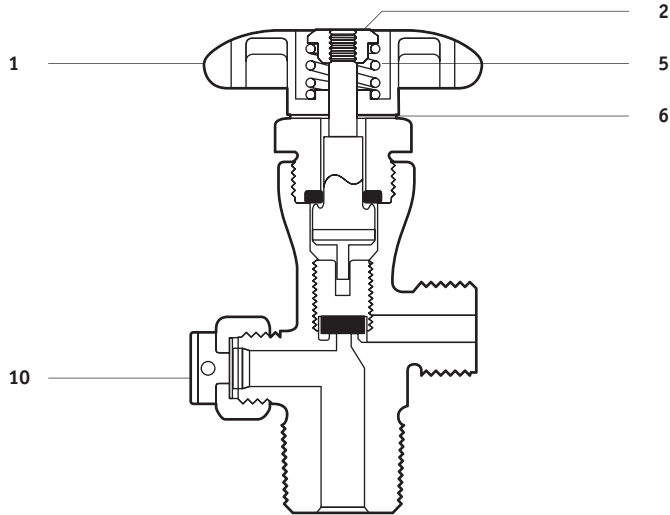
CARBON DIOXIDE & NITROGEN COMMERCIAL VALVES

TV Series Industrial Valves

FIG.	P/N	SERVICE & MAINTENANCE PART DESCRIPTION
1	1401TV	Handwheel, Metal
1	L1401TV	Handwheel, Plastic
2	1003TV*	Handwheel Nut, Pkg/10
5	1012TV	Handwheel Spring
6	5030TV*	Operating Stem
10	928TV	Safety Cap, Disc & Gasket Carbon Dioxide (For DOT 1800 Cylinders)
N/S	OR39	Collar O-Ring TV Valves w/ Straight Threads (For Aluminum Cylinders)

*WHILE QUANTITIES LAST!

TV SERIES

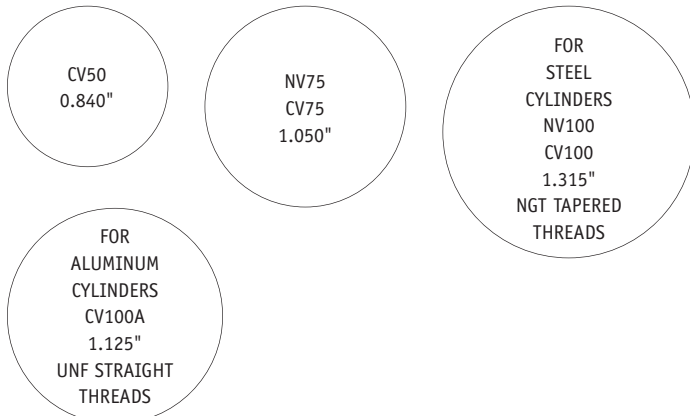


CARBON DIOXIDE & NITROGEN COMMERCIAL VALVES

All Sherwood Carbon Dioxide & Nitrogen Commercial Valves

FIG.	P/N	SERVICE & MAINTENANCE PART DESCRIPTION
N/S	PC1	Plastic Thread Protector Fits CGA-320 Outlet on Carbon Dioxide Valves
N/S	NITA	Adapter (Valve to Regulator) CGA-580 (For Nitrogen Valves)
N/S	C017	Nut (Valve to Regulator) CGA-320 (For Carbon Dioxide Valves)
N/S	C013	Nipple (Valve to Regulator) CGA-320 (For Carbon Dioxide Valves)
N/S	COMB	Adapter for Siphon Tube Will Not Work w/ 1/2" Valves or 50ST Siphon Tubes
N/S	15ST	Siphon Tube (21 1/8") Must Be Cut to Correct Length

ASSEMBLY TORQUES Packing Nut 70-80 ft-lb
Safety Assembly 30-40 ft-lb



CV50
0.840"

NV75
CV75
1.050"

FOR
STEEL
CYLINDERS
NV100
CV100
1.315"
NGT TAPERED
THREADS

FOR
ALUMINUM
CYLINDERS
CV100A
1.125"
UNF STRAIGHT
THREADS

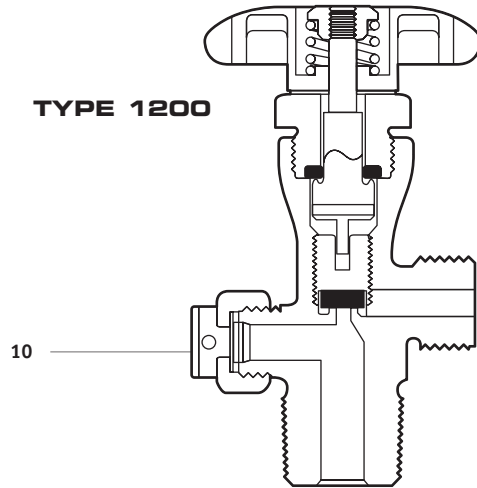
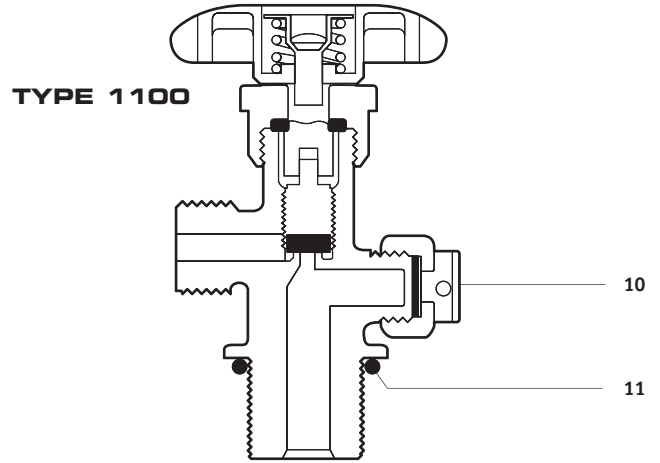
CARBON DIOXIDE & NITROGEN COMMERCIAL VALVES

Type 1100 (COM50, COM75, COM100, COM100A, NIT75, NIT100)
 Type 1200 (Older Style)

FIG.	P/N	SERVICE & MAINTENANCE PART DESCRIPTION
10	16ASV	Safety Disc Only Carbon Dioxide (For DOT 1800 Cylinders)
10	15SV	Safety Gasket
11	OR39	Collar O-Ring Type 1100 w/ Straight Threads (For Aluminum Cylinders)

FIG.	P/N	ACCESSORY PART DESCRIPTION
N/S	PC1	Plastic Thread Protector Fits CGA-320 Outlet on Carbon Dioxide Valves
N/S	NITA	Adapter (Valve to Regulator) CGA-580 (For Nitrogen Valves)
N/S	C017	Nut (Valve to Regulator) CGA-320 (For Carbon Dioxide Valves)
N/S	C013	Nipple (Valve to Regulator) CGA-320 (For Carbon Dioxide Valves)
N/S	COMB	Adapter for Siphon Tube Will Not Work w/ 1/2" Valves or 50ST Siphon Tubes
N/S	15ST	Siphon Tube (21 1/8") Must Be Cut to Correct Length

ASSEMBLY TORQUES Packing Nut 50 ft-lb
 Safety Assembly 35-40 ft-lb



COM50
0.840"

NIT75
COM75
1.050"

FOR
STEEL
CYLINDERS
NIT100
COM100
1.315"
NGT TAPERED
THREADS

FOR
ALUMINUM
CYLINDERS
COM100A
1.125"
UNF STRAIGHT
THREADS

11 FIRE EXTINGUISHER PARTS

BUCKEYE - DRY CHEMICAL

1 1/8" Valves 1975 to 1984 & 1 1/4" Valves Prior to 1975

P/N	DESCRIPTION
WVS13	Valve Stem Dry Chemical 1 1/8" Valve
WVS15	Valve Stem Dry Chemical 1 1/4" Valve
AD23	Recharge Adapter
HTA7	Hydrostatic Test Adapter

FYR-FYTER, BUFFALO, PYRENE, C-O-TWO - DRY CHEMICAL, & WATER

P/N	DESCRIPTION
OR24	Collar O-Ring Water
OR28	Collar O-Ring 5-20 lb
OR34*	Collar O-Ring 20-30 lb Heavy Duty
FVS21	Valve Stem D/C & Newer Models 20S, 20M, 20H
OR30	Siphon Tube O-ring Heavy Duty
AV1	Air Valve Assembly 2.5 Gal Water
109942F	Wall Hanger 5-6 lb Dry Chemical
AD29	Recharge Adapter

GENERAL

P/N	DESCRIPTION
G100WS	Gauge-100 WS-900, LS-900
39622G*	Nozzle TCP-2 1/2J, KCP-2 1/2J
RV14*	Lever Rivet (Replaces 13145) 10-30 lb GP/TGP "A" & "B" Models
RV48*	Lever Rivet (Replaces 32061) 2.5-5 lb CP/TCP "A" & "B" Models
RV49*	Lever Rivet (Replaces 32058) 2.5-15 lb CO ₂
RV53*	Lever Rivet (Replaces 33699) 2.5-10 lb CP/TCP "G" Models
RV63*	Lever Rivet (Replaces 34076) 10-30 lb GP/TGP "D" & "E" Models
RV71*	Lever Rivet (Replaces 34991) 2.5-5 lb CP/TCP "J" Models
RV46*	Handle Rivet (Replaces 32075) 2.5-5 lb CP/TCP "A" & "B" Models
RV64*	Handle Rivet (Replaces 35774) 10-20 lb GP/TGP "F" & "G" Models
RV67*	Handle Rivet (Replaces 32062) 10-30 lb GP/TGP "A" & "B" Models
AD24	Recharge Adapter TCP-2 1/2J, KCP-2 1/2J
HTA20	Hydrostatic Test Adapter TCP-2 1/2J, KCP-2 1/2J
HTA10	Hydrostatic Test Adapter WS-900, LS-900

*WHILE QUANTITIES LAST!

KIDDE - DRY CHEMICAL

10-30 lb Brass Valve

P/N	DESCRIPTION
OR315	Collar O-Ring
KVS46*	Valve Stem Assembly
AD25	Recharge Adapter

KIDDE - CARBON DIOXIDE

5-20 lb Brass Valve

P/N	DESCRIPTION
KDP	Double Point Pin
260299K	Safety Disc
202208K	Wall Hanger

PEM ALL

Small Valve 2.5-14 lb D/C & Halon 1211

P/N	DESCRIPTION
S4PA	Valve Stem Assembly (PA100-10)
WB1PA*	Wall Hanger
AD21	Recharge Adapter
HTA21	Hydrostatic Test Adapter

POWER-PACK - DRY CHEMICAL

P/N	DESCRIPTION
RV33	Lever & Handle Rivet
OR37	Collar O-Ring
5502P*	Wall Hanger 5 lb
1010P	Wall Hanger 10 lb
AD24	Recharge Adapter
HTA7	Hydrostatic Test Adapter

PYRONAUTS - DRY CHEMICAL

P/N	DESCRIPTION
RV59	Lever & Handle Rivet
OR20	Collar O-Ring
PNV551	Valve Stem
AD23	Recharge Adapter
HTA7	Hydrostatic Test Adapter

STOP-FIRE - DRY CHEMICAL

P/N	DESCRIPTION
OR21	Collar O-Ring HV1
OR27	Collar O-Ring HV6
OR295	Collar O-Ring HV2, HV3
OR333*	Cylinder O-Ring HV2, HV3

STRIKE FIRST - DRY CHEMICAL

P/N	DESCRIPTION
SFPP	Pull Pin
RV80	Lever & Handle Rivet
OR20	Collar O-Ring (161345 Obsolete)
AD24	Recharge Adapter
HTA7	Hydrostatic Test Adapter

*WHILE QUANTITIES LAST!