

StreamLine® Low Profile Strobe Light

Models LP3P, LP3S, LP3T



PERFECT SIZE MEETS SUPERIOR PERFORMANCE

- Available in 12-48VDC, 120VAC and 240VAC
- Surface mount, T-mount, or integrated 1/2-inch NPT pipe mount
- Five dome colors
- Screw-on lens
- Low profile — Model LP3S is only 5" high
- Type 4X, IP66 enclosure
- PLC and triac compatible
- Optional dome guard for LP3S and LP3T
- UL and cUL Listed, and CSA Certified

Model LP3 low profile strobe light is a Type 4X strobe that is available in five colors: Amber, Blue, Clear, Green and Red. An optional dome wire guard is available for the LP3S and LP3T.

The LP3 is offered in three mounting configurations. LP3P features an integrated 1/2-inch NPT pipe mount. LP3S features a three-hole surface mount — ideal for control panels and other flat or flush surfaces. The “T-mount” LP3T has a popular 2-hole design for wall or flush mounting.

Both the LP3S and LP3T include a surface gasket to complete the Type 4X installation. An optional dome guard is available for use with the LP3S and LP3T. All LP3 units feature a threaded screw-on lens that allows tool-free wiring and strobe tube replacement. The strobe tube is rated for 7,000 hours.

The LP3 comes in three voltage variations: 12-48VDC, 120VAC and 240VAC. The state-of-the-art strobe mechanism produces 2.2 joules of energy, while drawing relatively low level amperage.

StreamLine® strobes feature high-quality, long-life strobe lamps which are designed to reduce tungsten build-up for longer lamp maintenance cycles. Careful consideration is given to the relationship between lamp shape and lens design for maximum light output. StreamLine products make use of surface mount technology, which provides a more powerful light in a much smaller package. The dry-electrolyte capacitor used in StreamLine products runs cooler than those used in many competitive strobes, resulting in a more reliable product that won't fail due to overheating.

Model	Voltage	Operating Current	Flash Rate/ Minute	Candela Peak ¹	ECP ²
LP3*-012/048**	12-48VDC	0.44-0.10 amps	65-95	175,000	51.5
LP3*-120**	120VAC	0.10 amps	65-95	175,000	51.5
LP3*-240**	240VAC	0.07 amps	65-95	175,000	51.5

*Indicates Mounting Style: (S) Surface Mount, (P) Pipe Mount (T) T-Mount,

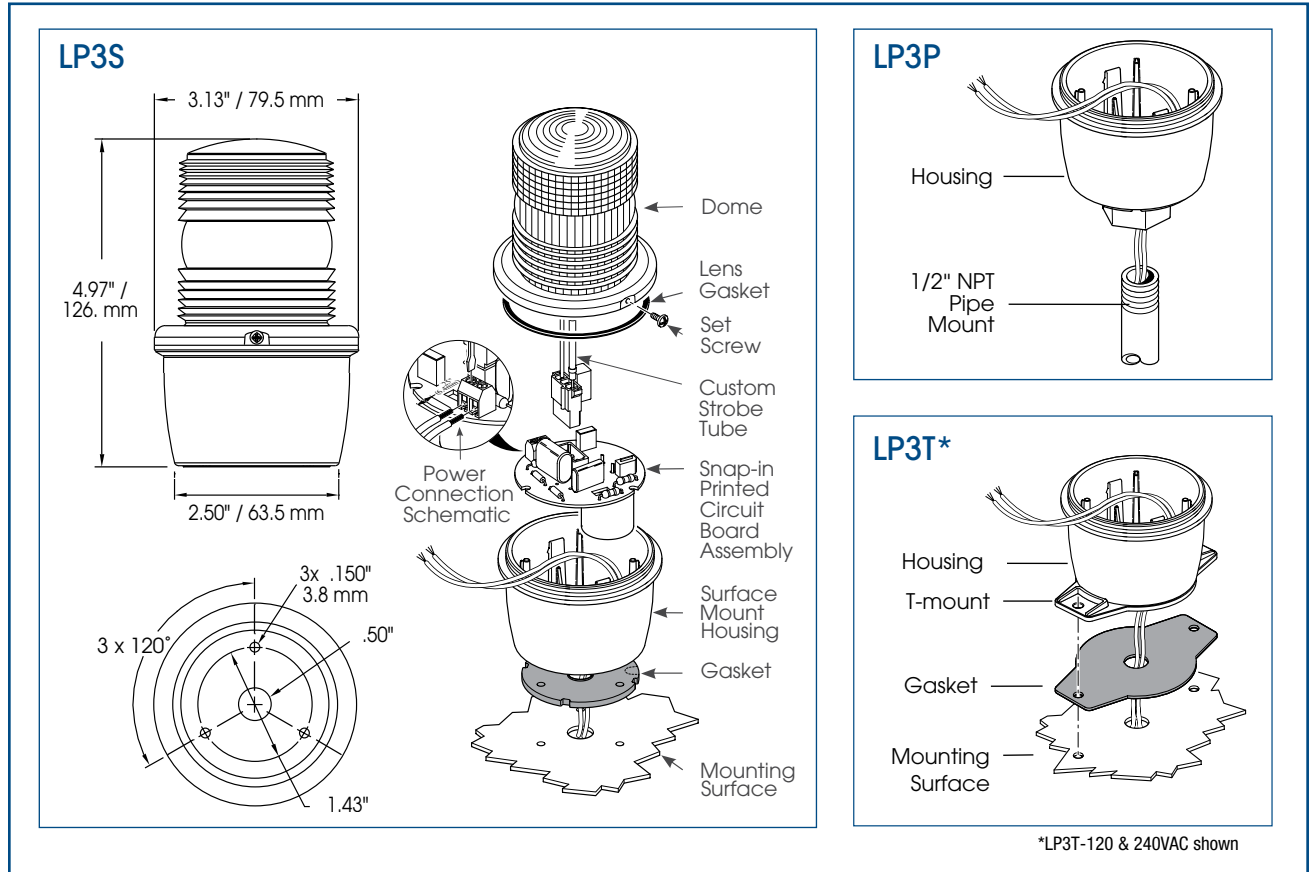
** Indicates color: (A) Amber, (B) Blue, (C) Clear, (G) Green or (R) Red

¹ Peak candela is the maximum light intensity generated by a flashing light during its light pulse

² ECP (Effective Candela) is the intensity that would appear to an observer if the light were burning steadily



STREAMLINE® LOW PROFILE STROBE LIGHT (LP3S/LP3P/LP3T)



SPECIFICATIONS

Lamp Life:	7,000 Hours	7,000 Hours
Light Source:	Strobe tube	Strobe tube
Operating Temperature:	-31°F to 150°F	-35°C to 66°C
Net Weight:	7.3 oz.	206.96 g
Shipping Weight:	8.5 oz.	240.98 g
Diameter:	3.125"	79.4 mm
Height (from bottom):		
LP3P	5.7"	144.8 mm
LP3S	4.97"	126.2 mm
LP3T	5.1"	129.5 mm

HOW TO ORDER

- Specify model, voltage and color
- Optional Accessories: Wire/Dome Guard (LP3G) for LP3S, LP3T



REPLACEMENT PARTS

Description	Part Number
Dome, Amber	K8589063A
Dome, Blue	K8589063A-01
Dome, Clear	K8589063A-02
Dome, Green	K8589063A-03
Strobe Tube	K149130A
Gasket Kit ¹	K8589013A

¹ Includes gasket for LP3P, LP3S, and LP3T