

# SIEMENS

## Installation Instructions

### Models RLC-11 and RLW-11

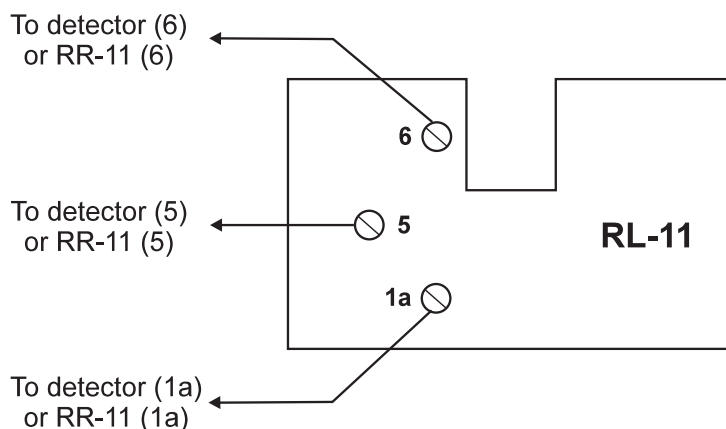
### Remote Lamps

The Models RLC-11 (round plate) and RLW-11 (rectangular plate) remote lamps work with a PE-11, OP121, OH121 or HI121 detector. The red LED on the RLC-11 or RLW-11 lights when its associated detector goes into alarm.

## INSTALLATION

The remote lamp may be placed up to 25 feet away from the detector using 14-18 gauge wire.

1. Use a single-gang switch box (user supplied) for mounting the RLW-11; Use a 4 inch octagonal conduit box (user supplied) for mounting the RLC-11. Make connections to RL-11 as shown in Figure 1.
2. a. *When connecting to the RR-11 Remote relay, make the connections to relay base TB2. Refer to the RR-11 Installation Instructions, P/N 315-094924, for further information.*  
b. *When **no** connection to the RR-11 Remote relay is made, route the wires through the hole in the detector base and make the connection to the screw terminals on the RL-11 as shown in Figure 1.*



**Figure 1**  
**RLC-11 or RLW-11 Connection Diagram**