

Notification Appliances

SEH – High-Fidelity Speakers and Speaker Strobes

Application: Indoor



SEH-HMC-W
Speaker Strobe



SECH-R
Speaker



SEH-HMC-CW
Speaker Strobe



SEH-R
Speaker

Product Overview

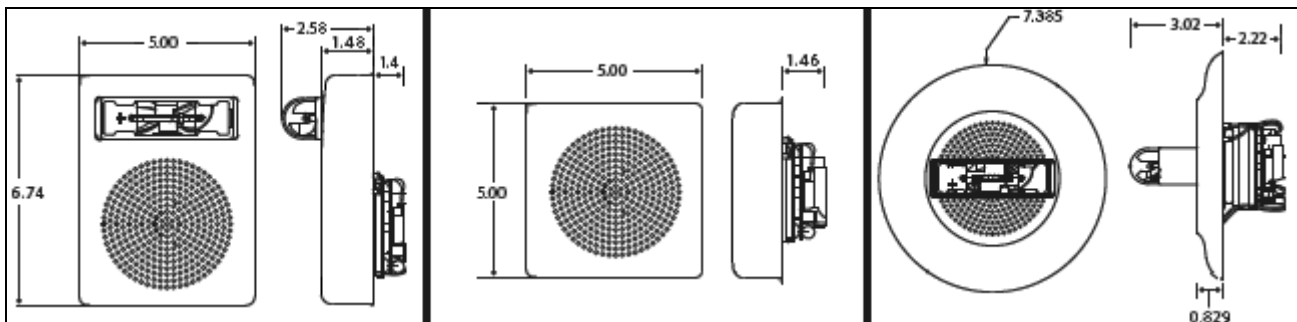
- Siemens Series 'SEH' of High-Fidelity (HiFi) speakers / speaker-strobes are comprised of high-efficient design for maximum output (at minimum wattage) across a sizeable frequency range, 300 to 8000 Hz
- Current Siemens Series 'SE' of speakers / speaker-strobes can easily be upgraded into the Siemens Series 'SEH'
- Siemens Series 'SEH' appliances have a plastic finish in which each model has a built-in level-adjustment feature
 - Snap-on grille cover with non-visible mounting screws for a level finish
- Series 'SEH' appliances mounts to a 10.2 cm. [4-inch] square by 5.4 cm. [2-1/8"]-deep back box:
 - Compatible with the SPECT extension ring, which prevents wire damage
 - Model SPECT is an optional extender used for mounting to 10.2 cm. [4-inch] back boxes without an extension ring
- The strobes portion of the Series 'SEH' appliances can be synchronized when used with any of the following:
 - 252 / 504-point addressable fire-safety systems
 - Siemens Modular and FireFinder® XLS control panels
 - Siemens Dual-Sync Control Modules -> Model DSC-series with built-in sync protocol
 - Siemens PAD-series of NAC Extenders
- Siemens Series 'SEH' meets the requirement for low-frequency signal tone when used with:
 - One (1) Amplifier Card {Model VCI2001-U1} with Siemens 252-point / 504-point addressable FACPs
 - One (1) Booster Amplifier {Model EBA200x Series} with Siemens 252-point / 504-point addressable FACPs
 - One (1) 40W Zone Amplifier Card {Model ZAC-40} with Siemens Modular and FireFinder XLSV
- Fast installation with In / Out screw terminals using #12 to #18 AWG wires
- Field-selectable taps for 25 or 70 VRMS operation from 1/8 Watt up to 2 Watts
- HiFi speaker-strobes produce one (1) flash per second
- Ceiling-mount HiFi signaling devices are available with six (6) field-selectable settings:
 - 15/30/75/95cd for single-Candela strobes
 - 15/30/75/95cd or 115/177cd multi-Candela strobes
- Wall-mount HiFi signaling devices are available with six (6) field-selectable settings:
 - 15/30/75/110cd or 135/185cd for multi-Candela strobes
- Wall-mount, standalone speaker available
 - Red and white
- ©UL 1480 and 1971 Listed, ©ULC-S526, -S541 Listed;
CSFM (#7320-0067:0275) Approved
- ADA, NFPA and ANSI Compliant;
Complies with OSHA 29 Part 1910.165

'SEH' Series Notification Appliances **2589C**

Specifications

- High-fidelity speaker appliances are Siemens Series 'SEH' HiFi Speakers, and the speaker-strobe appliances are Siemens Series 'SEH' HiFi Speaker Strobes or approved equals
 - HiFi speakers are designed for a field-selectable input of either 25 or 70 VRMS, and with selectable power taps from 1/8 Watt to 2 Watts
 - Both HiFi ceiling and wall-mount models have listed sound outputs of up to 87 dBA at 3.3 meters (10 feet), and a listed frequency response of 300 to 8000 Hz
 - Speaker appliances feature sealed-back construction for optimum audibility
 - All inputs use terminals that accept #12 to #18 AWG wire sizes
 - Strobe intensity, where multi-Candela appliances are specified, have six (6) field-selectable settings, and are rated for:
 - 15/30/75/110cd (wall mount)
 - 135/185cd (wall mount, high Candela)
 - 15/30/75/95cd (ceiling mount)
 - 115/177cd (ceiling mount, high Candela)
 - Selector switch, which used for selecting the candela, is tamper-resistant by design
 - The strobe portion, when synchronization is required, is compatible when used with any of the following:
 - 252 / 504-point addressable control panels
 - Siemens Modular and FireFinder® XLS control panels
 - Siemens Dual-Sync Control Modules -> Model DSC-series with built-in sync protocol
 - Siemens PAD-series of NAC Extenders
 - Siemens Series 'SEH' meets the requirement for low-frequency signal tone, when used with:
 - One (1) Amplifier Card {Model VCI2001-U1} with Siemens 252-point / 504-point addressable FACPs
 - One (1) Booster Amplifier {Model EBA200x Series} with Siemens 252-point / 504-point addressable FACPs
 - One (1) 40W Zone Amplifier Card {Model ZAC-40} with Siemens Modular and FireFinder XLSV
 - The strobes do not drift out of synchronization at any time during operation
- Note:** ADA Guidelines specify a flash rate of 1-to-3 flashes per second
- 'SEH'-series strobes revert to a non-synchronized flash-rate, if the dual-sync module or the Siemens PAD-series NAC Extenders should fail to operate (i.e. – contacts remain closed)
 - HiFi ceiling speaker and speaker-strobe appliances are designed for indoor, flush mounting
 - Wall-mount speaker and speaker-strobe appliances are designed for indoor flush mounting to 10.2 cm. —x— 5.4 cm. (4" —x— 2-1/8") electrical boxes without the need for an extension ring or surface mounting
 - Model SPEXT is an optional extender used for mounting to 10.2 cm. [4"] back boxes without a ring
 - HiFi speakers and speaker-strobe incorporate a speaker-mounting plate with a snap-on grille cover:
 - Low-profile design allows for faster and easier installation speaker mounting plate
 - Series 'SEH' HiFi speakers and speakers strobes is available for ordering in either white or red

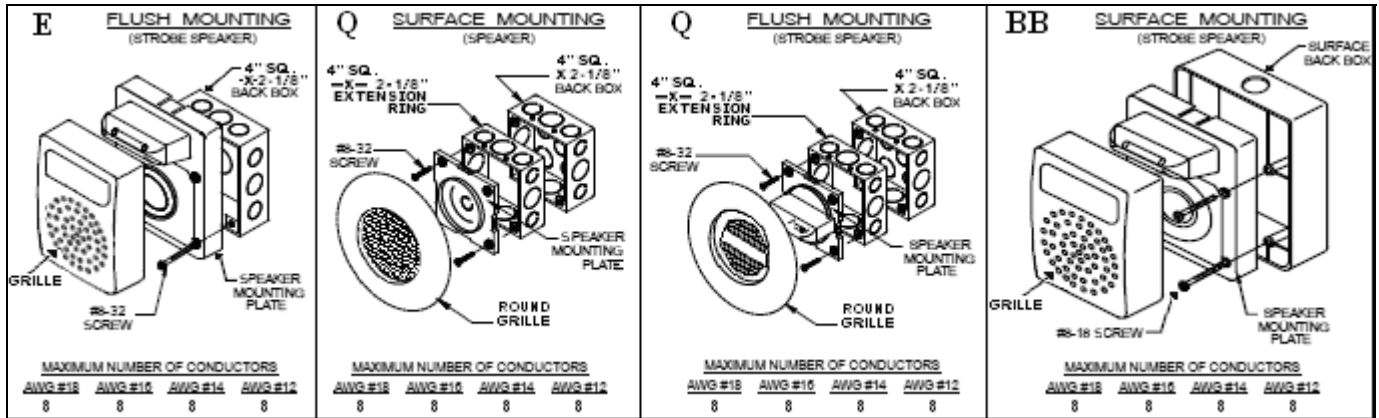
Wiring Diagram



(Shown In Inches)

Wiring Diagram – (continued)

Mounting Options



Technical Data

SEH-MC Series: Wall-Mount Strobe Only

Current Ratings (AMPs)						
MAXIMUM RMS Current - Per \odot UL and \odot ULC						
Input Voltage Range		Operating Voltage (Special Application)	15cd	30cd	75cd	110cd
DC	16.0 - 33.0VRMS	@ 24 VDC	0.064	0.098	0.175	0.233
FWR	16.0 - 33.0VRMS	@ 24 VDC	0.108	0.164	0.268	0.368

SE HiFi Series: Ceiling-Mount Strobe Only

Current Ratings (AMPs)						
MAXIMUM RMS Current - Per \odot UL and \odot ULC						
Input Voltage Range		Operating Voltage (Special Application)	15cd	30cd	75cd	95cd
DC	16.0 - 33.0VRMS	@ 24 VDC	0.069	0.111	0.200	0.264
FWR	16.0 - 33.0VRMS	@ 24 VDC	0.117	0.180	0.297	0.398

SEH-HMC Series: Wall-Mount Strobe Only

Current Ratings (AMPs)				
MAXIMUM RMS Current - Per \odot UL and \odot ULC				
Input Voltage Range		Operating Voltage (Special Application)	135cd	185cd
DC	16.0 - 33.0VRMS	@ 24 VDC	0.318	0.445
FWR	16.0 - 33.0VRMS	@ 24 VDC	0.482	0.684

SE HiFi Series: Ceiling-Mount Strobe Only

Current Ratings (AMPs)				
MAXIMUM RMS Current - Per \odot UL and \odot ULC				
Input Voltage Range		Operating Voltage (Special Application)	115cd	177cd
DC	16.0 - 33.0VRMS	@ 24 VDC	0.318	0.445
FWR	16.0 - 33.0VRMS	@ 24 VDC	0.482	0.684

SEH Series: Wall-Mount Speakers Only

\odot UL and \odot ULC Listed Models and Ratings											
Model*	Operating Voltage (VRMS)	dBA at 10 Feet (Rated Watts)					Anechoic dBA (Per CAN / \odot ULC-S541-07)				
		1/8	1/4	1/2	1	2	1/8	1/4	1/2	1	2
SEH	25/70	73	76	79	82	84	74	76	80	83	86
SEH-MC	25/70	73	76	79	82	84	74	76	80	83	86
SEH-HMC	25/70	73	76	79	82	84	74	76	80	83	86

* All models available in red or white.

\odot ULC Directional Characteristics		
25V / 70V	-3dBA	+/- 19 degrees horizontal; +/- 18 degrees vertical
	-6dBA	+/- 37 degrees horizontal; +/- 39 degrees vertical

SE HiFi Series: Ceiling-Mount Speakers Only

\odot UL and \odot ULC Listed Models and Ratings											
Model*	Operating Voltage (VRMS)	dBA at 10 Feet (Rated Watts)					Anechoic dBA (Per CAN / \odot ULC-S541-07)				
		1/8	1/4	1/2	1	2	1/8	1/4	1/2	1	2
SECH	25/70	74	77	80	83	85	74	78	80	83	86
SEH-MC-C	25/70	74	77	80	82	85	73	76	79	82	85
SEH-HMC-C	25/70	74	77	80	82	85	73	76	79	82	85

* All models available in red or white.

\odot ULC Directional Characteristics		
25V / 70V	-3dBA	+/- 34 degrees horizontal; +/- 17 degrees vertical
	-6dBA	+/- 40 degrees horizontal; +/- 32 degrees vertical

Technical Data – (continued)

Position	25V	70V
A	2	---
B	1	---
C	1/2	---
D	1/4	2
E	1/8	1
F	-----	1/2
G	-----	1/4
H	-----	1/8

- Notes:**
1. Strobe will produce 1 flash per second over the Input Voltage Range
 2. Frequency range of speakers is 300 – 8000Hz

Details for Ordering – (Including Mounting Options & Agency Approvals)

Agency
Approval

Model	Part Number	Description	Wall Mount	Ceiling Mount	Mounting Options*	ULC
SECH-R	S54360-F1-A1	SEH HiFi Speaker: Round/Ceiling, Red	—	YES	Q,U	✓
SECH-W	S54360-F1-A2	SEH HiFi Speaker: Round/Ceiling, White	—	YES	Q,U	✓
SEH-HMC-CR-B	UDI:SEH-HMC-CR-B	SEH HiFi Speaker-Strobe: Hi Multi-Candela Ceiling, Red	—	YES	Q,U,V	✓
SEH-HMC-CW-B	UDI:SEH-HMC-CW-B	SEH HiFi Speaker-Strobe: Hi Multi-Candela Ceiling, White	—	YES	Q,U,V	✓
SEH-HMC-R-B	UDI:SEH-HMC-R-B	SEH HiFi Speaker-Strobe: Hi Multi-Candela, Red	YES	—	E,Q,U,BB	✓
SEH-HMC-W-B	UDI:SEH-HMC-W-B	SEH HiFi Speaker-Strobe: Hi Multi-Candela, White	YES	—	E,Q,U,BB	✓
SEH-MC-CR-B	UDI:SEH-MC-CR-B	SEH HiFi Speaker-Strobe: Multi-Candela Ceiling, Red	—	YES	Q,U,V	✓
SEH-MC-CW-B	UDI:SEH-MC-CW-B	SEH HiFi Speaker-Strobe: Multi-Candela Ceiling, White	—	YES	Q,U,V	✓
SEH-MC-R-B	UDI:SEH-MC-R-B	SEH HiFi Speaker-Strobe: Multi-Candela, Red	YES	—	E,Q,U,BB	✓
SEH-MC-W-B	UDI:SEH-MC-W-B	SEH HiFi Speaker-Strobe: Multi-Candela, White	YES	—	E,Q,U,BB	✓
SEH-R	S54360-F11-A1	SEH HiFi Speaker: Square, Red	YES	—	E,O,P,Q,R,U,Y,AA	✓
SEH-W	S54360-F11-A2	SEH HiFi Speaker: Square, White	YES	—	E,O,P,Q,R,U,Y,AA	✓
SPEXT-R**	500-636116	** SPEXT is an extender ring that mounts behind the speaker to permit mounting to a 4" square –x– 2-1/8" deep electrical box – without the need for an extension ring on the box.				✓
SPEXT-W**	500-636117					✓

NOTE: There are no regulatory restrictions in mounting Siemens Series 'SEH' Speaker-only appliances to either wall or ceiling applications.

✓ = listed / approved

* = Refer to data sheet # 2585 for detailed mounting options

Notice: This marketing data sheet is not intended to be used for system design or installation purposes. For the most up-to-date information, refer to each product's installation instructions.