



► Model VALS

Visalert® Strobe Light

Federal Signal's Visalert® is a three dimensional, triangular warning light designed to be mated with Federal Signal's Model 350 Vibratone® horn and Model 50GC SelectTone® amplified speaker. The Visalert can also be used as a stand alone device. Knockouts on the 50GC and 350 audible devices (sold separately) ensure easy installation. The units can be either independently or simultaneously wired with the audible device. The Visalert uses a linear strobe tube and all the circuitry is contained within the lens.

Visalert units are recommended for use in industrial applications and situations where effective visual warning is needed. Federal Signal's Visalert strobe light is a low-maintenance strobe light in a compact size that is perfect for control panel applications.

FEATURES

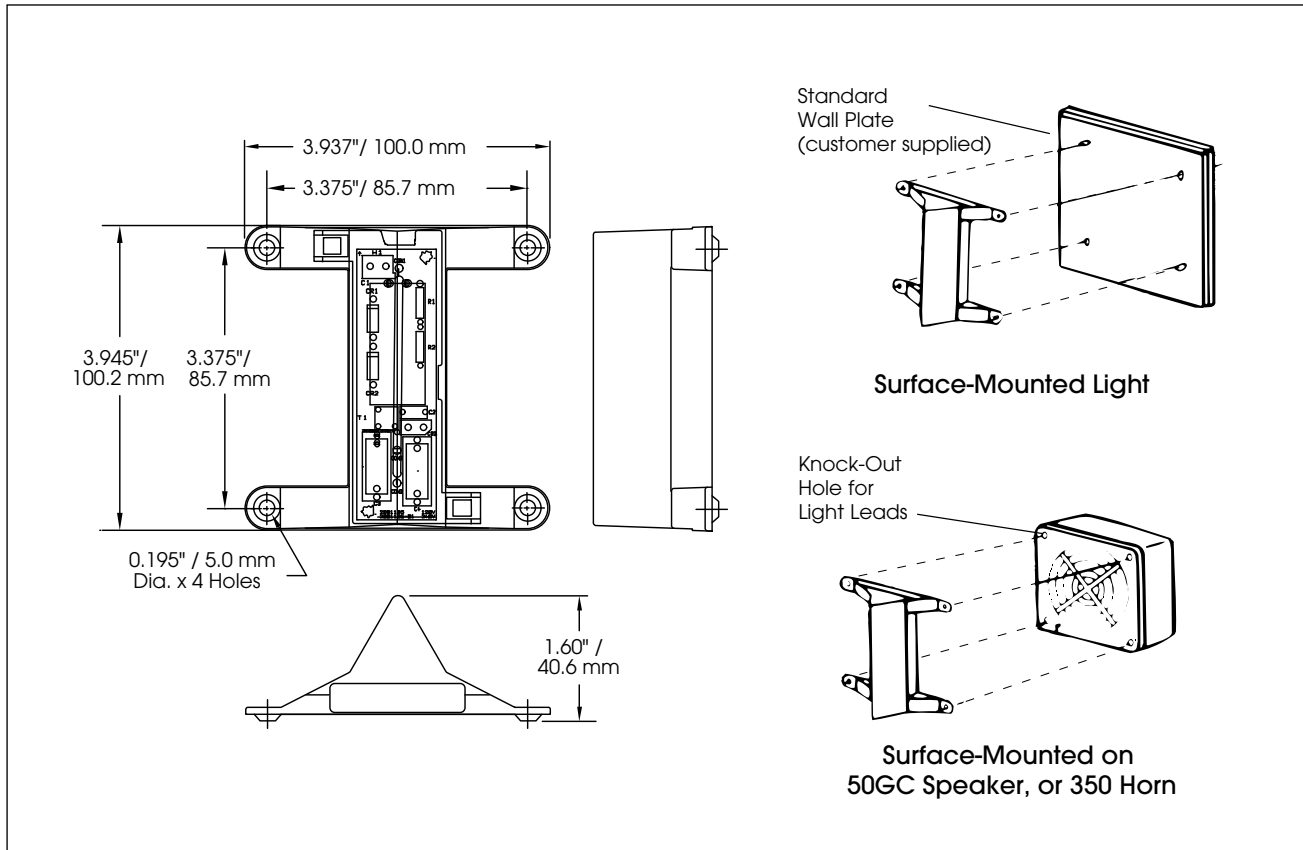
- Available in 24VDC, 120VAC and 240VAC
- Five lens colors: Amber, Blue, Clear, Green and Red
- 4,000 hour strobe tube
- Easy surface mount installation onto Federal Signal's 350 Vibratone® horn and Model 50GC SelectTone® amplified speaker (sold separately)
- Indoor/outdoor use
- Conformal coated PCB
- Type 3R enclosure
- CSA Certified
- UL Listed

| MODEL | VOLTAGE | OPERATING CURRENT | FLASH RATE/ MINUTE | LIGHT OUTPUT PEAK ¹ | MOUNT |
|-------------------|----------------|-------------------|--------------------|--------------------------------|---------|
| VALS-024 * | 24VDC | 0.08 amps | 80 | 108,000 cd | Surface |
| VALS-120 * | 120VAC 50/60HZ | 0.06 amps | 80 | 108,000 cd | Surface |
| VALS-240 * | 240VAC 50/60HZ | 0.03 amps | 80 | 108,000 cd | Surface |

* Indicates color: (A) Amber, (B) Blue, (C) Clear, (G) Green or (R) Red

¹ Peak candela is the maximum light intensity generated by a flashing light during its light pulse

Visalert® Strobe Light (VALS)



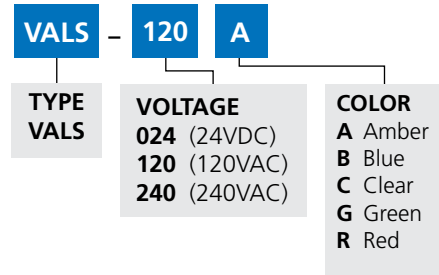
SPECIFICATIONS

| | | |
|------------------------|----------------|---------------|
| Lamp Life: | 4,000 Hours | |
| Light Source: | Strobe tube | |
| Operating Temperature: | -31°F to 150°F | -35°C to 66°C |
| Net Weight: | 0.10 lbs | 0.045 kg |
| Shipping Weight: | 0.25 lbs | 0.113 kg |
| Height: | 3.945" | 100.2 mm |
| Width: | 3.937" | 100.0 mm |
| Depth: | 1.60" | 40.6 mm |

REPLACEMENT PARTS

| Description | Part Number |
|-------------|-------------|
| Strobe Tube | K149128A |

HOW TO ORDER



RELATED PRODUCTS

| Description | Model Number |
|------------------------------|--------------|
| SelecTone® Amplified Speaker | 50GC |
| Vibratone® Horns | 350 |

For additional product information, reference page 222 for Model 50GC and page 164 for Model 350.