

Kidde Fire Systems Component Datasheet



Effective: January 2019
K-85-3001 Rev AC

Electric Control Head Kit with Control Head Monitor

FEATURES

- UL Listed, ULC Listed, and FM Approved for use with systems listed below in the Table, "COMPATIBILITY", on page 2.

P/N: 85-890181-000

ORDER INFORMATION

Part Number	Description
85-890181-000	Kit, Includes: <ul style="list-style-type: none"> • Electrical Control Head, 24 VDC, P/N WK-890181-000 • Control Head Monitor, P/N 85-100000-100 (for more information, see data sheet K-85-3000)

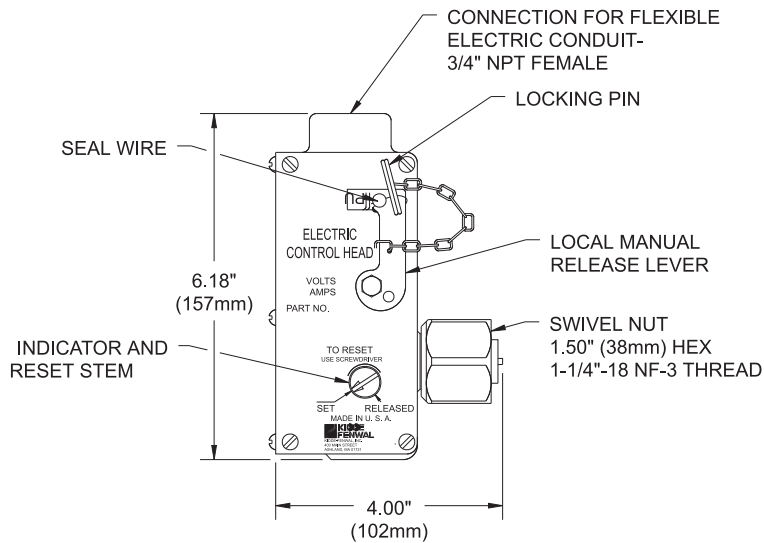


Figure 1. Electric Control Head

MATERIAL

Body: Brass

SPECIFICATIONS

Voltage: 24 VDC

Current: 2.0A

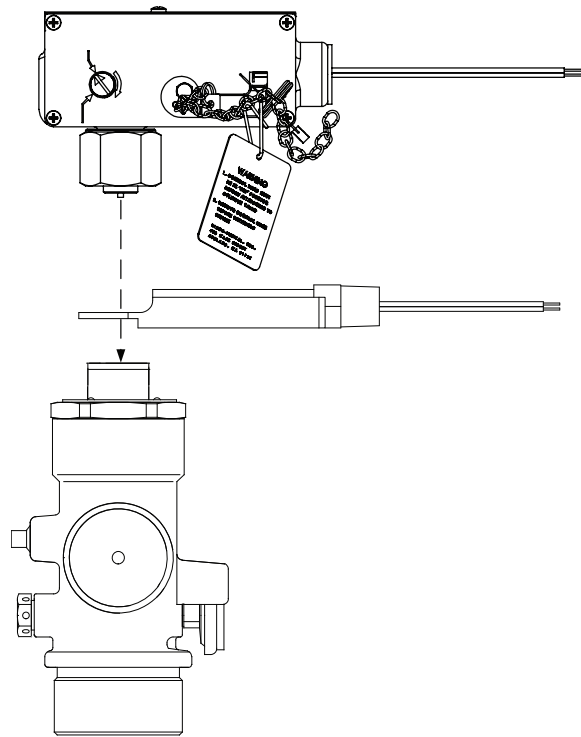


Figure 2. Electric Control Head and Control Head Monitor

COMPATIBILITY

Series	DIOM P/N	Supplement P/N
ECS-500™ System with 3M™ Novec™ 1230 Fire Protection Fluid	06-237585-001	N/A
ECS™ 360 System with 3M™ Novec™ 1230 Fire Protection Fluid	06-236553-001	N/A
ADS™ System with 3M™ Novec™ 1230 Fire Protection Fluid	06-237256-001	N/A
ECS™ 360 System with HFC-227ea Agent	06-236115-001	06-236115-003
ECS™ 360 Modular System with HFC-227ea Agent	06-236116-001	06-236116-002
ADS™ System with HFC-227ea Agent	06-236068-001	06-236068-003
FE-13™ System	06-236169-002	06-236169-003
FE-13™ Modular System	06-236193-001	06-236193-002
ECS™ 360 with 3M™ Novec™ 1230 Fire Protection Fluid (India)	06-237127-600	06-237127-601
ECS™ 360 with FM-200™ Agent (India)	06-237298-001	06-237298-002

Note: Agency listings also apply to Fenwal Protection Systems when the Control Head Monitor is used on these legacy product lines.

All trademarks are property of their respective owners.
 3M and Novec are trademarks of 3M Company.
 FE-13 and FM-200 are trademarks of The Chemours Company.

EXPORT INFORMATION (USA)

Jurisdiction: EAR
 Classification: EAR99
 This document contains technical data subject to the EAR.

This literature is provided for informational purposes only. KIDDE-FENWAL, INC. believes this data to be accurate, but it is published and presented without any guarantee or warranty whatsoever. KIDDE-FENWAL, INC. assumes no responsibility for the product's suitability for a particular application. Product features specified are only applicable when the fire suppression system is correctly designed, installed, maintained and serviced by trained, authorized Kidde Fire Systems distributors as per the applicable design, installation, operation, and maintenance manuals. If you need more information on this product, or if you have a particular problem or question, contact: KIDDE-FENWAL, INC., Ashland, MA 01721 USA, Telephone: (508) 881-2000.