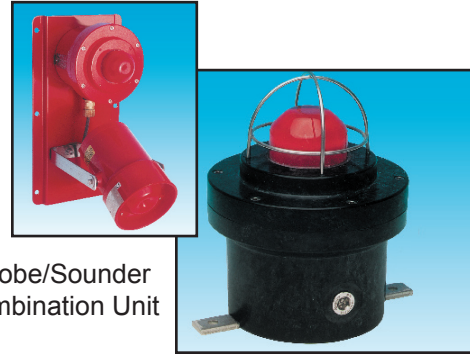


Strobe - 29 Candela, Hazardous Location XB11



Strobe/Sounder
Combination Unit

Description:

These certified strobes have been designed for use in potentially explosive gas and dust atmospheres and harsh environmental conditions. The glass reinforced polyester enclosures are suitable for use offshore or onshore, where light weight combined with corrosion resistance is required.

The strobe housing is manufactured completely from a U.V. stable, glass reinforced polyester. Stainless steel screws and mounting bracket are incorporated ensuring a totally corrosion free product.

Units can be painted to customer specification and supplied with identification labels.

Features*:

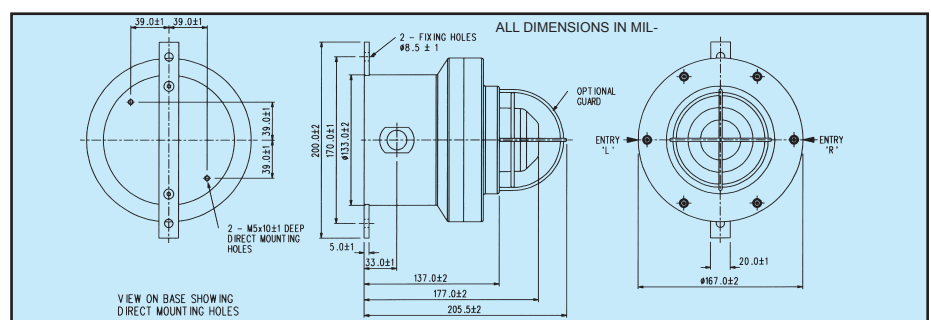
- UL Listed for USA and Canada
 - Hazardous locations:
 - Class I, Div 2, Groups C & D
 - Class I, Zones 1 & 2, AExd IIB T5
 - Ordinary locations: Visual-Signal Device
 - California State Fire Marshal (CSFM) Listed
 - ATEX approved
 - NEMA 4x & 6, IP66 and IP67
 - Certified temperature -67°F to $+158^{\circ}\text{F}$ (-55°C to $+70^{\circ}\text{C}$)
 - Corrosion resistant GRP
 - Optional stainless steel backstrap
 - Various lens colors
 - Optional lens guard
 - 29 candela
 - 4 wire monitored connection
 - Available as a status light
 - Xenon
 - 24 VDC, 110 and 240 VAC
- *Depending on version

Architects and Engineers Specifications

Strobes for hazardous locations and harsh environments shall be UL and cUL listed for Class I, Division 2, Groups C&D, and Class I, Zones 1&2, AExd IIB T5 applications and shall be listed under UL Standard 1638 for Indoor/Outdoor use. The strobe appliances shall be constructed of lightweight, UV stable glass reinforced polyester, shall be corrosion resistant, and shall meet NEMA 4x, NEMA 6, IP 66 & IP 67 environmental requirements over a temperature range of -67°F to 158°F (-55°C to 70°C).

The strobe shall be rated to flash at 1 Hz with 29 candela per flash. Rated current draw shall not exceed 320 mA at 24 vdc. The strobe shall be capable of direct surface mounting in any direction.

Note: Due to continuous development of our products, specifications and offerings are subject to change without notice in accordance with Cooper Wheelock standard terms and conditions.



Specification

Certification: UL Listed for USA and Canada to:
 – Hazardous locations:
 Class I, Div 2 Groups C & D.
 Class I, Zones 1 & 2 AExd IIB T5.
 UL Listing No: E187894.
 – Ordinary locations: Visual-Signal Device.
 California State Fire Marshal (CSFM) Listed
 UL listing No. S8128.
 ATEX approved: EExd IIB T5/T6
 Cert. No. 99 ATEX 2195X
 GENELEC EN50014 and EN50018

Material: Body: – Glass reinforced polyester (GRP).
 Lens: – Glass.
 Cover Screws + Backstrap: – Stainless steel 316.

Finish: Natural black or painted to customer specification.

Weight: 5.5 lb./2.5Kg.

Certified Temperature: –67°F to +158°F (–55°C to +70°C) hazardous locations
 –67°F to +131°F (–55°C to +55°C) ordinary locations

Ingress Protection: NEMA 4x & 6, IP66 & IP67.

Terminals: 6 x 14AWG

Labels: Duty/Tag Label optional.

Entries: 2 x 1/2" NPT

Strobe/Sounder Unit: The strobe may be combined with a sounder to create a visual/audible alarm.

	DC	AC50/60 Hz	
Voltage	24	110	240
Tube Energy(Joules)	5	5	5
Peak Current Consumption (mA)	320	100	60
Effective Intensity (Cd)	29	29	29
Peak Intensity (Cd)	22213	22213	22213
Power Consumption Watts)	8	11	18

NOTE: The Cd figures are for a clear lens @ 1Hz flash rate.

FOR COLORED LENSES

Color	Red	Blue	Amber	Green	Yellow
Multiplying Factor	0.15	0.12	0.51	0.49	0.86

The photometric data has been verified by BSI.
 A report is available if required.

Configuration Options:

The following code is designed to help in the selection of the correct unit. Build up the reference number by inserting the code for each component into the appropriate box.

Certification	Voltage	Flash Rate	Lens Color	Lens Guard	Unit Fixing	Earth Continuity	Tag/Duty Label	Other Options	Unit Finish
XB11						N			

Certification	Code
UL	UL
UL (Ordinary location)	UW

Voltage	Code
24V d.c.	024
110V a.c.	110
240V a.c.	240

Color	Code
Red	R
Blue	B
Green	G
Amber	A
Yellow	Y
Clear	C

Flash Rate	Code
60/min	06
Other flash rates available, please specify.	

Guard	Code
None	N
Yes	Y

Unit Fixing	Code
Direct Mounting	D
Backstrap	B

Continuity	Code
None	N

Label	Code
None	N
Yes*	Y
*(Please specify)	

Option	Code
Blanking Plug	P
None	N

Finish	Code
Natural Black	N
Red	R
Blue	B
Yellow	Y
Grey	G
White	W
Special Finish*	S
*(Please specify)	

Note: When placing your order, please include Supervision Diode on products



WE ENCOURAGE AND SUPPORT NICET CERTIFICATION
 3 YEAR WARRANTY

XB11 08/11



NJ Location
 273 Branchport Ave.
 Long Branch, NJ 07740
 P: 800-631-2148
 F: 732-222-8707
 www.coopernotification.com

