

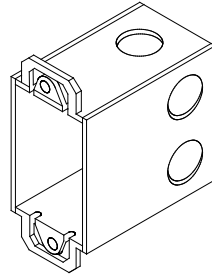
Wheelock Mounting Accessories

Effective September 2022
Supersedes June 2022

(B) Single-Gang, Flush (B0)

Used with Series MIZ, RSS

See Notes 1 & 8

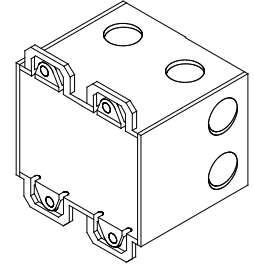


Maximum Number of Conductors

| AWG. #18 | AWG. #16 | AWG. #14 | AWG. #12 |
|----------|----------|----------|----------|
| 4 | 4 | 4 | 4 |

(F) Double-Gang, Flush (B0)

See Note 4

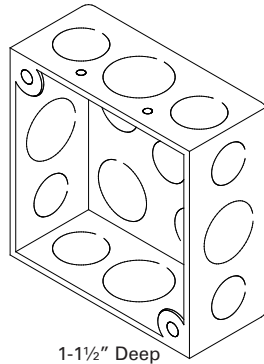


Maximum Number of Conductors

| AWG. #18 | AWG. #16 | AWG. #14 | AWG. #12 |
|----------|----------|----------|----------|
| 4 | 4 | 4 | 4 |

(D) 4" Square, Flush (B0)

See Note 2



1-1/2" Deep

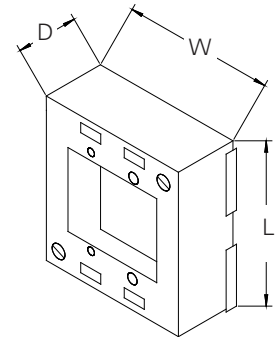
Maximum Number of Conductors

| AWG. #18 | AWG. #16 | AWG. #14 | AWG. #12 |
|----------|----------|----------|----------|
| 4 | 4 | 4 | 4 |

(G) Double-Gang, Surface (B0)

Used with Series RSS

See Note 5



| Length | Width | Depth | Gang # |
|--------|--------|--------|--------|
| 4-3/4" | 4-3/4" | 1-3/4" | 2 |

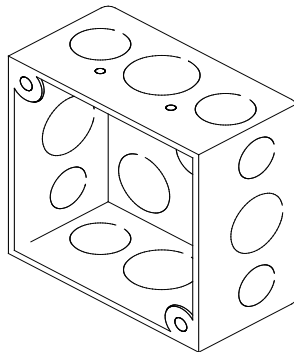
Maximum Number of Conductors

| AWG. #18 | AWG. #16 | AWG. #14 | AWG. #12 |
|----------|----------|----------|----------|
| 4 | 4 | 4 | 4 |

(E) 4" Square, Deep, Flush (B0)

Used with Series 31T, 43T, AMT, ET-1010, HS4, HS, MB, MT, MT4, RSS, RSSP

See Note 3



2-1/8" Deep

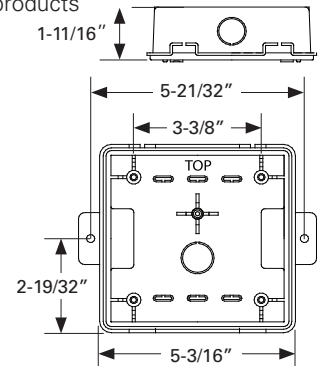
Maximum Number of Conductors

| AWG. #18 | AWG. #16 | AWG. #14 | AWG. #12 |
|----------|----------|----------|----------|
| 8 | 8 | 8 | 8 |

(I) WPBB (Order Code: 9014)

For surface mounting AS outdoor products

Used with Series ASWP Weatherproof



Maximum Number of Conductors

| AWG. #18 | AWG. #16 | AWG. #14 | AWG. #12 |
|----------|----------|----------|----------|
| 8 | 8 | 8 | 8 |



Powering Business Worldwide

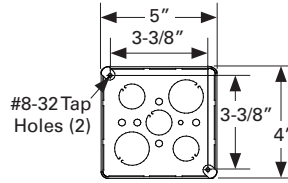
Mounting Accessories

(J) BB Backbox (Order Codes: Red 2830, Gray 2349)

Standard steel backbox with knockouts for interior surface mounting, concealed conduit mounting or semi-flush applications. It is painted to match the signal.

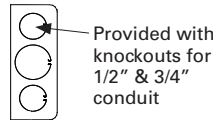
Used with Series 31T, 43T, AH, MB, MT4, RSS

See Note 9



Maximum Number of Conductors

| AWG. #18 | AWG. #16 | AWG. #14 | AWG. #12 |
|----------|----------|----------|----------|
| 4 | 4 | 4 | 4 |



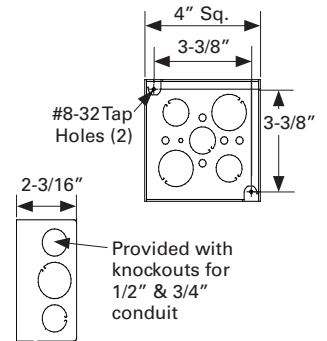
(N) DBB Backbox (Order Code: 2955)

Standard steel backbox provided with knockouts for interior surface mounting, concealed conduit mounting or semi-flush applications. It is painted to match the signal.

Used with Series 31T, 43T, AMT, ET-1010, HS4, HS, MB, MT, MT4, RSS

Maximum Number of Conductors

| AWG. #18 | AWG. #16 | AWG. #14 | AWG. #12 |
|----------|----------|----------|----------|
| 8 | 8 | 8 | 8 |

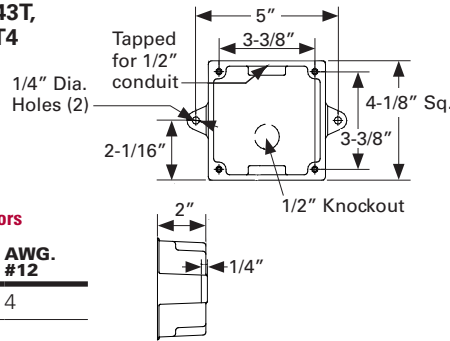


(K) WBB Weather Resistant Backbox (Order Codes: Red 2959, White 2411)

Sturdy die-cast housing, threaded conduit hole and knockout for outdoor applications. It is painted to match the signal.

Used with Series 31T, 43T, AHWP, ET-1010, MB, MT4

See Note 2

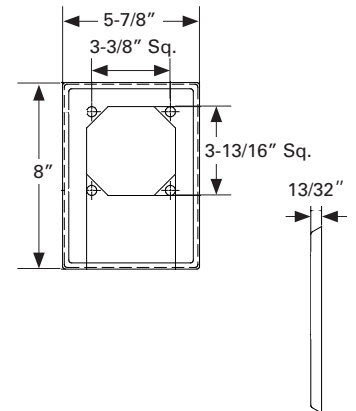


Maximum Number of Conductors

| AWG. #18 | AWG. #16 | AWG. #14 | AWG. #12 |
|----------|----------|----------|----------|
| 4 | 4 | 4 | 4 |

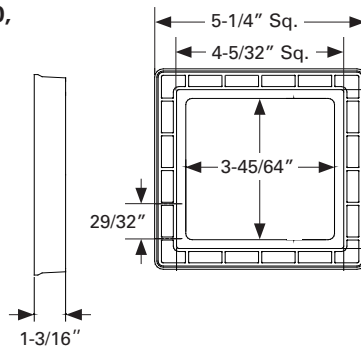
(O) RP-R Retrofit Plate (Order Code: 5042)

Used with Series 31T, 43T, AMT, CH70, E70, ET70, ET-1010, ET-1080, HS4, HS, MB, MT, MT4, RSS



(L) ISP2 Surface Adapter (Order Code: Red 3194, White 3195)

Used with Series AMT, CH70, E70, ET70, HS4, HS, MT

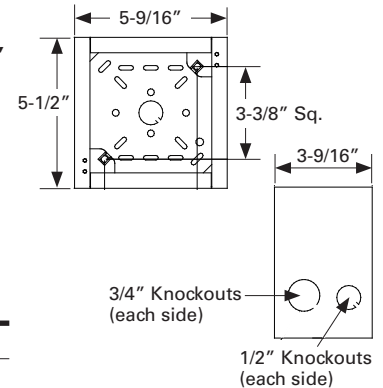


(P) SBB Backbox (Order Codes: Red 3204, White 3193)

For surface mounting speakers, chimes, and electronic applications

Used with Series 43T, AMT, CH70, E70, ET70, ET-1080, HS4, HS, MB, MT, RSS

See Note 11



Maximum Number of Conductors

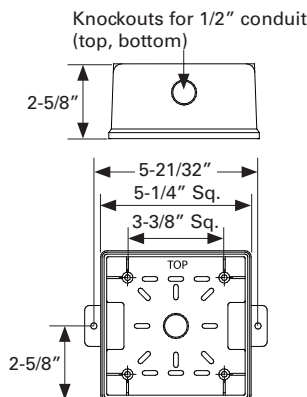
| AWG. #18 | AWG. #16 | AWG. #14 | AWG. #12 |
|----------|----------|----------|----------|
| 8 | 8 | 8 | 8 |

(M) IOB Backbox (Order Codes: Red 5046, White 5047)

For surface mounting MT products

Used with Series AMT, ET70WP, HS4, HS, MT, MTWP

See Note 10



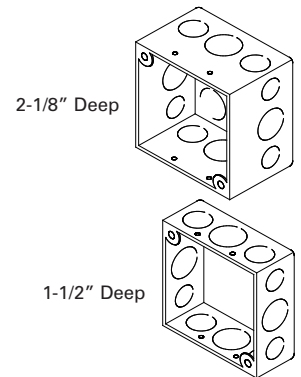
Maximum Number of Conductors

| AWG. #18 | AWG. #16 | AWG. #14 | AWG. #12 |
|----------|----------|----------|----------|
| 8 | 8 | 8 | 8 |

(Q) 4" Square Deep w/ Extension Ring, Flush (B0)

Used with Series CH70, CH90, E70, ET70, E90, ET90, ET-1080

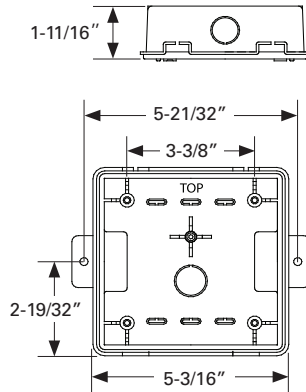
See Note 6



| Exterior Ring Depth | 1-1/2" | 2-1/8" |
|---------------------|--------|--------|
| AWG. #18 | 8 | 8 |
| AWG. #16 | 8 | 8 |
| AWG. #14 | 8 | 8 |
| AWG. #12 | 4 | 8 |

(T) WPSBB-R (Order Codes: Red 9751, White 3033)

Used with Series RSSWP
Weatherproof



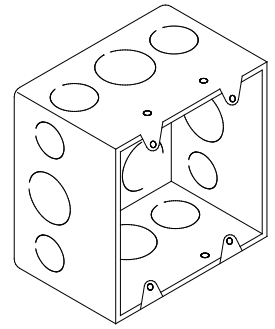
Maximum Number of Conductors

| AWG. #18 | AWG. #16 | AWG. #14 | AWG. #12 |
|----------|----------|----------|----------|
| 8 | 8 | 8 | 8 |

(W) 4-11/16" Square, Deep Surface (B0)

Used with Series DSM

See Note 7

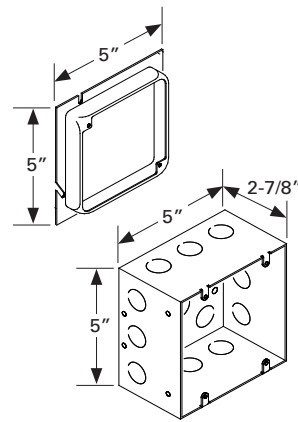


Maximum Number of Conductors

| AWG. #18 | AWG. #16 | AWG. #14 | AWG. #12 |
|----------|----------|----------|----------|
| 10 | 10 | 10 | 10 |

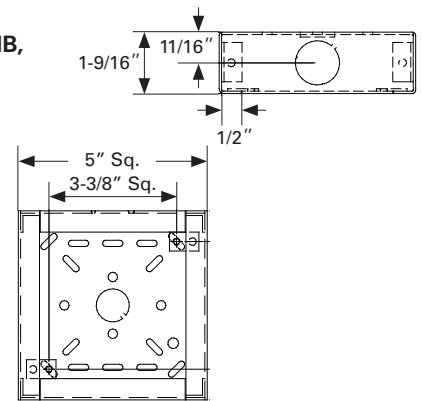
(U) 5" Square Backbox w/ Extension Ring, Flush (B0)

Used with Series CH70, CH90,
E70, ET70, E90, ET90, ET-1080



(X) SHBB Square, Surface Backbox (Order Codes: Red 7254, White 7255)

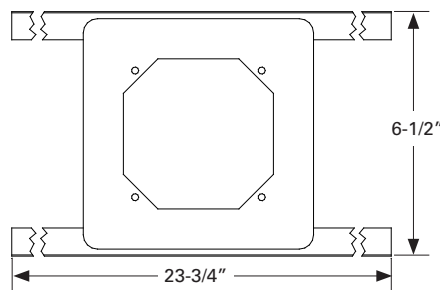
Used with Series 43T, MB,
RSS



(V) SSB-4 Ceiling Support Bridge (Order Code: 3380)

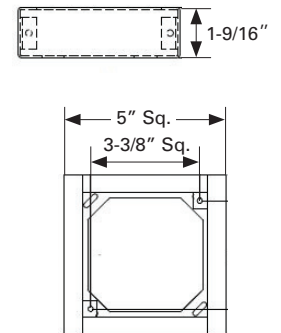
Provisions for (4) J-nuts #8-32 in 3-3/8" square. Material: Steel

Used with Series CH70, CH90, E70, ET70, E90, ET90, ET-1080,
and Eluxa ELFHNC, ELFHSC, ELHNC, ELHSC, ELSPKC,
ELSPSTC, ELSTC



(Y) SER-R Square Semi-Flush Extension Ring (Order Codes: Red 3045, White 3049)

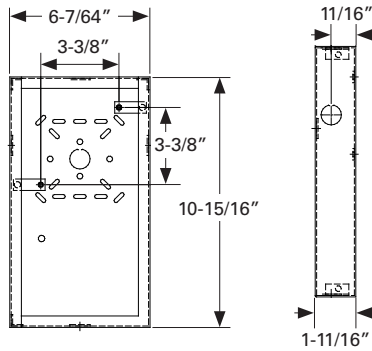
Used with Series CH70, E70,
ET70



Mounting Accessories

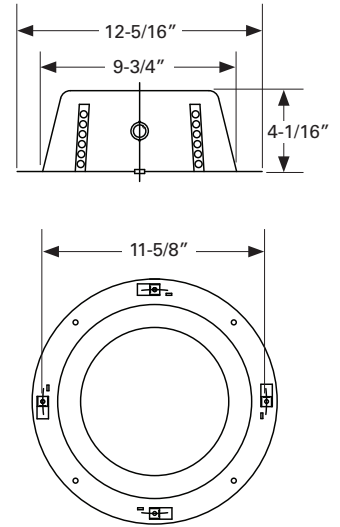
(Z) SBL-2 Backbox (Order Codes: Red 6988, White 6989)

Used with Series RSSP



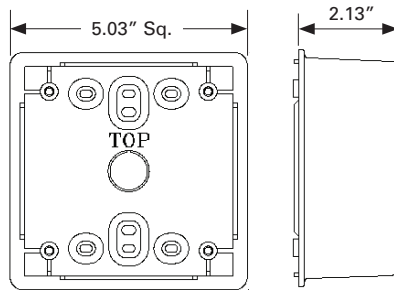
(DD) CBB-8 8" Ceiling Speaker Backbox (Order Code: 3314)

Used with Series S8" Ceiling Speakers

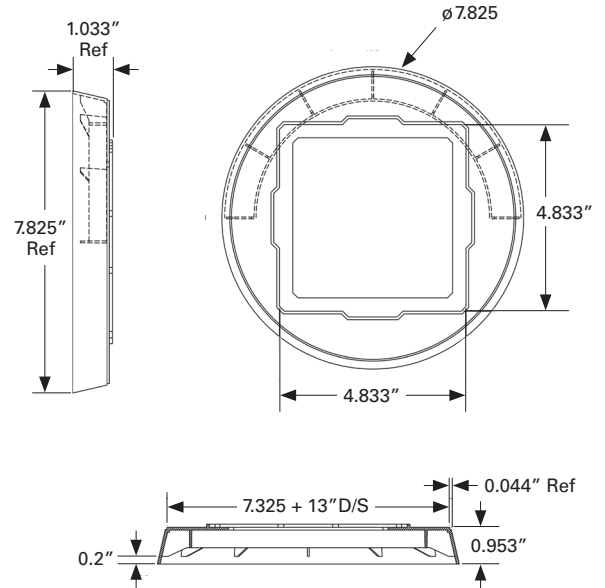


(AA) E50SB-R (Order Codes: Red 0230, White 0231)

Used with Series E50

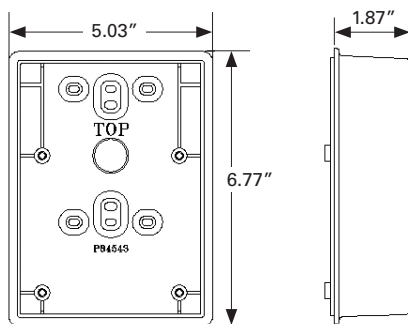


(EE) E60 Extension Ring (Order Code: Red 3758, White 3757)



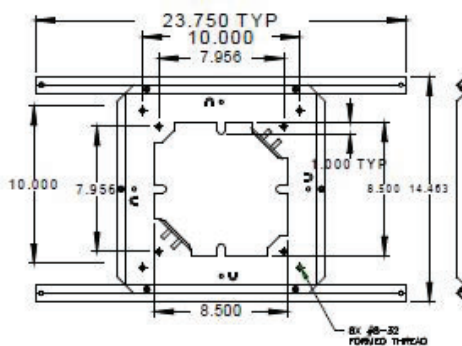
(BB) E50SSB-R (Order Codes: Red 0232, White 0233)

Used with Series E50

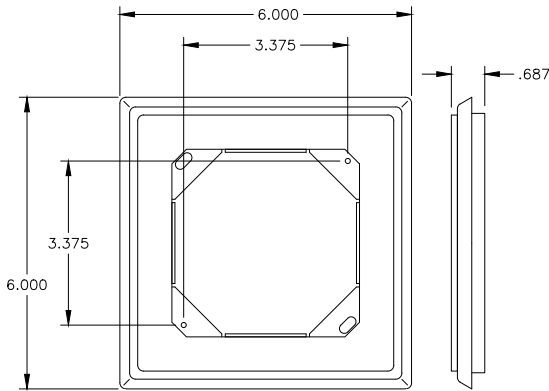


(CC) SSB-8 8" Ceiling Support Bridge (Order Code: 3573)

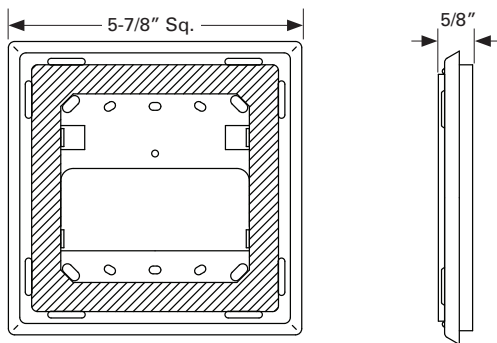
Used with Series S 8" Ceiling Speakers



(GG) WFP Plate (Order Codes: Red 4696, White 4697)



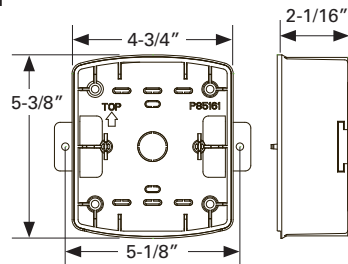
(HH) WFPA Plate (Order Codes: Red 4696, White 4697)



(II) ESB Backbox (Order Codes: Red 2749, White 2750)

For indoor surface mounting of Exceder products

Used with Exceder ST, HS, HN



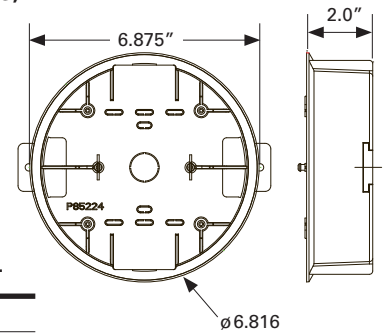
Maximum Number of Conductors

| AWG. #18 | AWG. #16 | AWG. #14 | AWG. #12 |
|----------|----------|----------|----------|
| 4 | 4 | 4 | 4 |

(JJ) ESBC Backbox (Order Codes: Red 2751, White 2752)

For indoor surface mounting of Exceder products

Used with Exceder STC, HSC, HNC



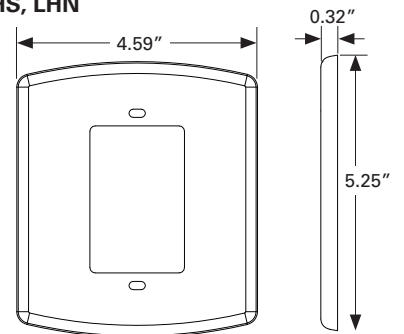
Maximum Number of Conductors

| AWG. #18 | AWG. #16 | AWG. #14 | AWG. #12 |
|----------|----------|----------|----------|
| 4 | 4 | 4 | 4 |

(KK) ESB-KIT (Order Codes: Red 0533, White 0534)

Trim Plate Kit for Exceder LED

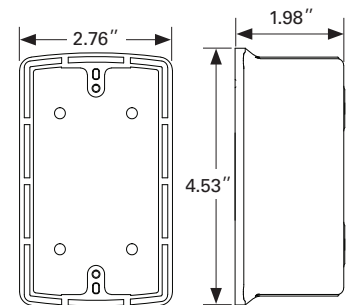
Used with Exceder LST, LHS, LHN



Note: For the 4" square backbox, installer must provide a standard metal 4" square one gang device ring to the single gang trim plate.

(LL) LSBB Backbox (Order Codes: Red 2402, White 2403)

Used with Exceder LST, LHS, LHN



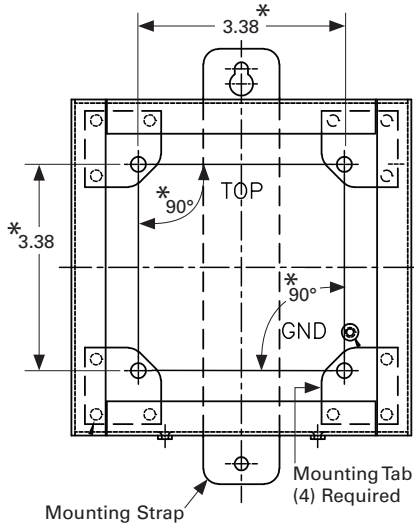
Maximum Number of Conductors

| AWG. #18 | AWG. #16 | AWG. #14 | AWG. #12 |
|----------|----------|----------|----------|
| 4 | 4 | 4 | 4 |

Mounting Accessories

(MM) OSB

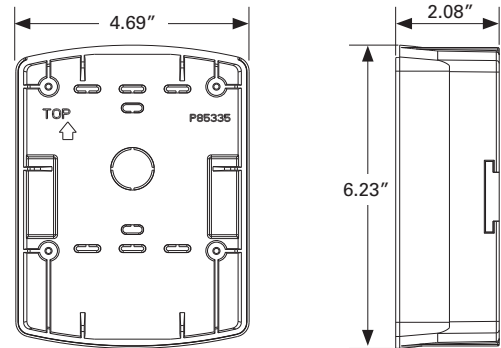
Used with ET1080



*Refer to specification sheet S7000 for mounting option details.

(NN) LSPKBB Backbox (Order Codes: Red 0756, White 0757)
For indoor surface mounting of Exceder LED Speaker products

Used with Exceder LSPK, LSPST

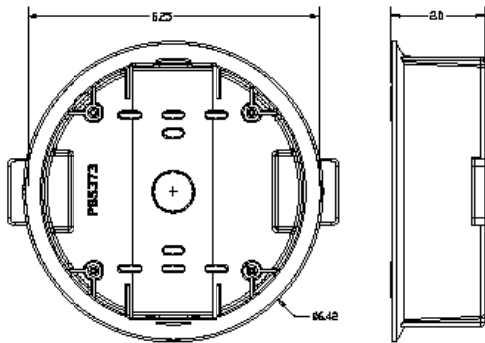


Maximum Number of Conductors

| AWG. #18 | AWG. #16 | AWG. #14 | AWG. #12 |
|----------|----------|----------|----------|
| 4 | 4 | 4 | 4 |

(OO) LSPKBB-C Backbox (Order Codes: Red 0927, White 1003)

Used with Exceder LED Ceiling LSTC, LHSC, LHNC, LSPKC, LSPSTC and Eluxa Ceiling - ELSTC, ELHSC, ELHNC, ELSPKC, ELSPSTC, ELFHNC, ELFHSC

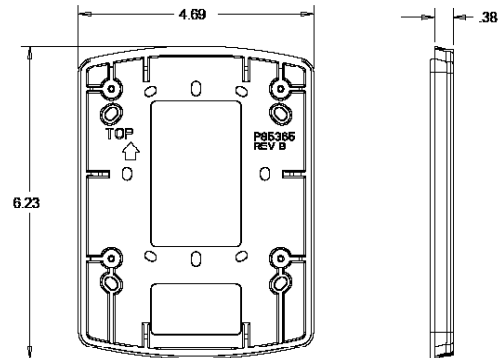


Maximum Number of Conductors

| AWG. #18 | AWG. #16 | AWG. #14 | AWG. #12 |
|----------|----------|----------|----------|
| 4 | 4 | 4 | 4 |

(PP) LFTP Trim Plate Kit (Order Codes: Red 1112, White 2113)

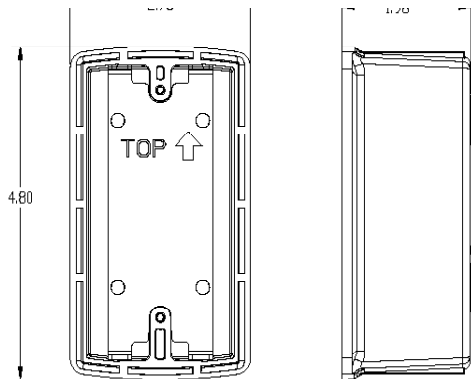
Included with Exceder LED Low Frequency Sounders (LFHNC, LFHSC)



Mounting Accessories

(QQ) ELSBB Backbox (Order Codes: Red 110752, White 110753)
For indoor surface mounting of Eluxa horns, horn strobes and strobes (wall models)

Used with Eluxa ELHN, ELHS, ELST

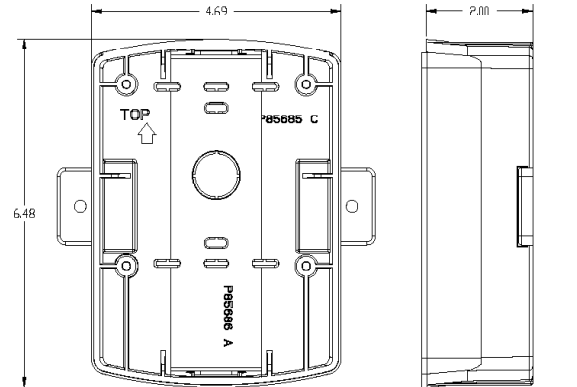


Maximum Number of Conductors

| AWG. #18 | AWG. #16 | AWG. #14 | AWG. #12 |
|-------------|-------------|-------------|-------------|
| 4 | 4 | 4 | 4 |

(RR) ELSPKBB Backbox (Order Codes: Red 110754, White 110755)
For indoor surface mounting of Eluxa speaker and low frequency sounder wall products

Used with Eluxa ELSPK, ELSPST, ELFHN, ELFHS



Maximum Number of Conductors

| AWG. #18 | AWG. #16 | AWG. #14 | AWG. #12 |
|-------------|-------------|-------------|-------------|
| 4 | 4 | 4 | 4 |

- Figure B is typical of a Steel City LXM-WOW box or equal. Figure B should be a 3.5" deep backbox for conduit installations and is typical of a Steel City CY-1/2 box or equal.
- Figure D is typical of a Steel City 52151 box or equal.
- Figure E is typical of a Steel City 52171 box or equal.
- Figure F is typical of two Steel City LXM-WOW boxes or equal.
- Figure G is typical of a Wiremold 5748-2 box or equal.
- Figure Q is typical of a Steel City 52171 box with a Steel City 53151 extension ring or equal.
- Figure W is typical of a Steel City 72171-1 box or equal.
- Use 3.5" deep backbox on all MIZ products when EMT conduit is used.
- When used with AC Horn (J), "BB" must be used for surface mount.
- HS4, HS, MT or MTWP Strobe are for outdoor mounting.
- Use with Series RSSP.
- Figure U is typical of a RANDL Industries backbox. ("Total Number of conductors shall be in accordance with NEC table 314.16 (B)").

Effective June 2022

Mounting Notes

▲ Caution: The mounting options figures show the maximum number of field wires (conductors) that can enter the backbox used with each mounting option. If these limits are exceeded, there may be insufficient space in the backbox to accommodate the field wires and stresses from the wires could damage the product. Although the limits shown for each mounting option comply with the National Electrical code (NEC), Wheelock recommends use of the largest backbox option and the use of approved stranded field wires whenever possible, to provide additional wiring room for easy installation and minimum stress on the product from wiring.

▲ Caution: Check that the installed product will have sufficient clearance and wiring room prior to installing backboxes and conduit, especially if sheathed multi-conductor cable or 3/4" conduit fittings are used.

1. Mounting hardware for each mounting option is supplied.
2. Conduit entrances to the backbox should be selected to provide sufficient wiring clearance for the installed product. When extension rings are required, conduit should enter through the backbox, not the extension ring. Use Steel City #53151 (1-1/2" deep) or #53171 (2-1/8" deep) extension rings (as noted in the mounting options) or equal with the same cut-out area.
3. When terminating field wires, do not use more lead length than required. Excess lead length could result in insufficient wiring space for the appliance.
4. Use care and proper techniques to position the field wires in the backbox so that they use minimum space and produce minimum stress on the product. This is especially important for stiff, heavy gauge wires and wires with thick insulation or sheathing.
5. Do not pass additional wires (used for other than the appliance) through the backbox "unless the backbox is of a sufficient size to permit additional wiring as described in NEC 314.16 (B)". Such additional wires could result in insufficient wiring space for the appliance.

Note: Due to continuous development of our products, specifications and offerings are subject to change without notice in accordance with Eaton standard terms and conditions.

Backbox Mounting Heights for Wheelock Wall-Mounted Horizontal Strobe Appliances

NFPA-72 (2002)

75.4* Appliance Location. Wall-mounted appliances shall be mounted such that the entire lens is not less than 2.0 m (80 in.) and not greater than 2.4 m (96 in.) above the finished floor.

| Backbox Mounting Options* | RSSP Flush Surface Retrofit | | Exceder ST, HS, HN | | RSS Strobe | | MT and AMT Multitone Strobe | | Eluxa ELHN, ELHS, ELST | | Eluxa ELSPK, ELSPST, ELFHN, ELFHS | | |
|---|-----------------------------|---------|--------------------|--------|------------|--------|-----------------------------|--------|------------------------|---------|-----------------------------------|--------|-------|
| | 80 In. | 80 In. | 6 In. | 80 In. | 6 In. | 80 In. | 6 In. | 80 In. | 6 In. | 80 In. | 6 In. | | |
| (B) 1-Gang x 2" Deep- Flush (BO) | | 80 3/4 | 5 1/4 | 79 1/8 | 6 7/8 | | | | | 80 5/16 | 5 11/16 | | |
| (D) 4" x 4" x 1.5" Deep- Flush (BO) | 83 15/16 | 80 1/4 | 5 3/4 | 78 5/8 | 7 3/8 | 77 1/8 | 8 1/8 | | | | | 81 1/8 | 4 7/8 |
| (E) 4" x 4" x 2.125" Deep- Flush (BO) | 83 15/16 | 80 1/4 | 5 3/4 | 78 5/8 | 7 3/8 | 77 7/8 | 8 1/8 | | | | | 81 1/8 | 4 7/8 |
| (F) 2-Gang x 3.5" Deep- Flush (BO) | | 80 3/4 | 5 3/4 | 79 1/8 | 6 7/8 | 78 3/8 | 7 5/8 | | | | | | |
| (G) 2-Gang x 1.75" Deep- Surface (BO) | | 79 7/8 | 6 1/8 | 78 1/4 | 7 3/4 | 77 1/2 | 8 1/2 | | | | | | |
| (M) IOB Surface & Weatherproof (WSI) | | | | | | 77 1/4 | 8 3/4 | | | | | | |
| (P) SBB Surface (WSI) | | | | | | 77 1/8 | 8 7/8 | | | | | | |
| (Q) 4" x 4" x 2.125" Box w/ 1.5" Extension Ring- Flush (BO) | 83 15/16 | 80 1/4 | 5 3/4 | 78 5/8 | 7 3/8 | 77 7/8 | 8 1/8 | | | | | | |
| (U) 5" Square Backbox w/ Extension Ring, Flush (BO) | 83 7/16 | | | 78 1/8 | 7 7/8 | 77 3/8 | 8 5/8 | | | | | | |
| (X) SHBB (WSI) Shallow Surface | | | | 78 1/8 | 7 7/8 | | | | | | | | |
| (Y) 4" x 4" x 1.5" Box w/ 1.5" Extension Ring Plate (BO) | | | | | | | | | | | | | |
| (Z) SBL2 Surface (WSI) | 80 1/2 | | | | | | | | | | | | |
| (II) ESB Backbox 5.375" x 4.75" x 2.0625" | | 79 9/16 | 6 7/16 | | | | | | | | | | |
| (QQ) ELSBB Backbox 4.8" x 2.76" x 1.98" | | | | | | | | 79 3/8 | 6 5/8 | | | | |
| (RR) ELSPKBB Backbox 6.48" x 4.69" x 2.0" | | | | | | | | | | | | 79 1/4 | 6 3/4 |

| Backbox Mounting Options* | Series CH70 Chime Strobe | | Series ET80 Speaker Strobe | | Series E70 Speaker Strobe | | Series ET70 Speaker Strobe | | Series SA-70S Self Amplified Speaker Strobe | |
|---|--------------------------|-------|----------------------------|---------|---------------------------|-------|----------------------------|-------|---|---------|
| | 80 In. | 6 In. | 80 In. | 6 In. | 80 In. | 6 In. | 80 In. | 6 In. | 80 In. | 6 In. |
| (P) SBB Surface (WSI) | 77 3/4 | 8 1/4 | 79 3/16 | 6 13/16 | 77 3/4 | 8 1/4 | 77 3/4 | 8 1/4 | 79 3/16 | 6 13/16 |
| (Q) 4" x 4" x 2.125" Box w/ 1.5" Extension Ring- Flush (BO) | 77 1/2 | 7 1/2 | 80 | 6 | 78 1/2 | 7 1/2 | 78 1/2 | 7 1/2 | 80 | 6 |
| (U) 5" Square Backbox w/ Extension Ring- Flush (BO) | 78 | 7 | 79 1/2 | 5 1/2 | 78 | 7 | 78 | 7 | 79 1/2 | 5 1/2 |
| (X) SHBB (WSI) Shallow Surface | | | | | | | | | | |
| (Y) 4" x 4" x 1.5" Box w/ 1.5" Extension Ring Plate- Flush (BO) | 78 1/2 | 7 1/2 | 80 | 6 | | | | | | |

* Measured from bottom of backbox (inches)
Note: (BO) = By Others; (WSI) = Wheelock Product

Eaton
 1000 Eaton Boulevard
 Cleveland, OH 44122
 United States
 Eaton.com

© 2022 Eaton
 All Rights Reserved
 Printed in USA
 Publication No. TD450028EN
 September 2022



Life safety & mss notification solutions
 273 Branchport Ave.
 Long Branch, NJ 07740
 Eaton.com/Lifesafetynotification

Eaton is a registered trademark.
 All other trademarks are property of their respective owners.