



KILLARK®

INSTALLATION, OPERATION & MAINTENANCE DATA SHEET

“XAS” SERIES FIRE ALARM STATIONS
FOR CLASS I GROUPS C & D, CLASS II, GROUPS E & F
AND CLASS III DIV . 1 HAZARDOUS LOCATIONS.



“XAS” SERIES FIRE ALARM STATIONS

CAUTION:

Before installing, make sure you are compliant with area classifications, failure to do so may result in bodily injury, death and property damage. Do not attempt installation until you are familiar with the following procedures. All installation must comply with the applicable Electrical Code.

Make sure that the circuit is de-energized before starting installation or maintenance.

Verify that the installation is grounded. Failure to ground will create electrical shock hazards, which can cause serious injury and or death.

Technical information, advice and recommendations contained in these documents is based upon information that Killark believes to be reliable. All the information and advice contained in these documents is intended for use only by persons having been trained and possessing the requisite skill and know-how and to be used by such persons only at their own discretion and risk. The nature of these instructions is informative only and does not cover all of the details, variations or combinations in which this equipment may be used, its storage, delivery, installation, check out, safe operation and maintenance. Since conditions of use of the product are outside of the care, custody and control of Killark, the purchaser should determine the suitability of the product for his intended use, and assumes all risk and liability whatsoever in connection therewith.



3940 Dr. Martin Luther King Drive
St. Louis, MO 63113

P/N 00911954 FORM NO. K0542 R08/08 ECO-3-034-08

1. DIRECTIONS FOR INSTALLATION

CAUTION: Before beginning installation, make sure that the supplying circuit is turned **OFF**.

NOTE: Connect Only copper wire to this device.

Be sure to check the catalog number on the box or cover with the number on the carton(s) to be certain you have the correct components.

1. Using the Installation Drawing on the reverse as a guide, install the SWB splice box, using the cast on mounting lugs. (1/4" dia. bolts are recommended for secure mounting).
2. Attach the conduit to the box.
3. Pull the wires through the conduit and into the splice box.
4. Make all wiring connections as system requires.
5. Connect the ground wire to the ground screw in the splice box.
6. Push the connected wires into the splice box.
7. To complete the installation. Install the cover assembly. The four cover bolts should be tightened so that a .0015" feeler gauge will not enter more than 1/8" at any point around the flange joint.
8. When the entire system has been wired and secured, turn **ON** the supplying circuit to test the device with an approved instrument for the area.

NOTE: All installations must comply with applicable local and / or National Electrical Code.

2. OPERATIONAL DATA

Since the device utilizes a contact block which is an arcing device, the conduit entries and exits must be sealed off by fittings such as Killark EY, EYS or ENY Sealing Fittings. The enclosure features ground flange, bolted joint construction, utilizing copper-free, cast aluminium alloy for the box and cover castings. The operation of the device is such that an operator assembly is held in a depressed position by a single strength, glass window which is to be broken with the hammer provided, thus signalling an alarm. Breaking the glass causes the compression spring to relax, allowing the internal contact to return to its normal position, which activates the alarm circuit. A warning label is provided, A cast aluminium hammer is supplied for breaking the glass, attached to the device by means of a 12" long piece of bead chain. The cover and box are painted a crinkle red enamel, for ease of identification by the user, as well as additional corrosion protection.



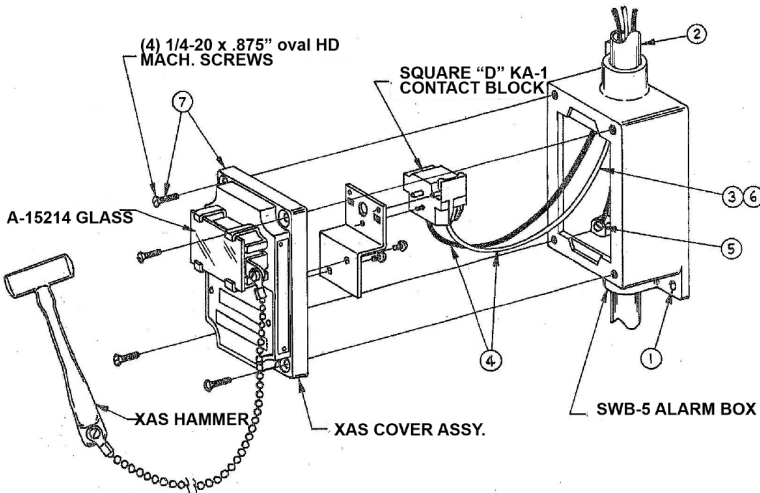
3. MAINTENANCE DATA

CAUTION: Disconnect this device from the supplying circuit before removing the cover. To prevent corrosion, lubricant should be occasionally applied, as follows: Killark "LUBG" lubricant to box/ cover flanges; and Dow Corning Molykote 33 Grease, light consistency, to operator shaft. Keep all flanges clean and free of scratches. Some internal service parts are available. Consult the Killark factory for parts breakdowns.

4. GLASS REPLACEMENT

In the event of glass breakage, replacement glass can be obtained from Killark by specifying "SPA-15214 Replacement Glass for XAS Fire Alarm Station". To replace glass, first unscrew the chain and hammer from the glass bracket. Then, depress the operator shaft from the outside end with the thumb, and while depressed, grasp the inside end, containing the retaining ring, keeping the shaft depressed just enough to be able to slide the new glass into place from the right side of the bracket. Reinstall the chain and hammer.

INSTALLATION / ASSEMBLY DRAWING



REMEMBER TO SAVE ONE OF THESE SHEETS FOR MAINTENANCE PERSONNEL



3940 Dr. Martin Luther King Drive
St. Louis, MO 63113

P/N 00911954 FORM NO. K0542 R08/08 ECO-3-034-08

Page 3 of 3