



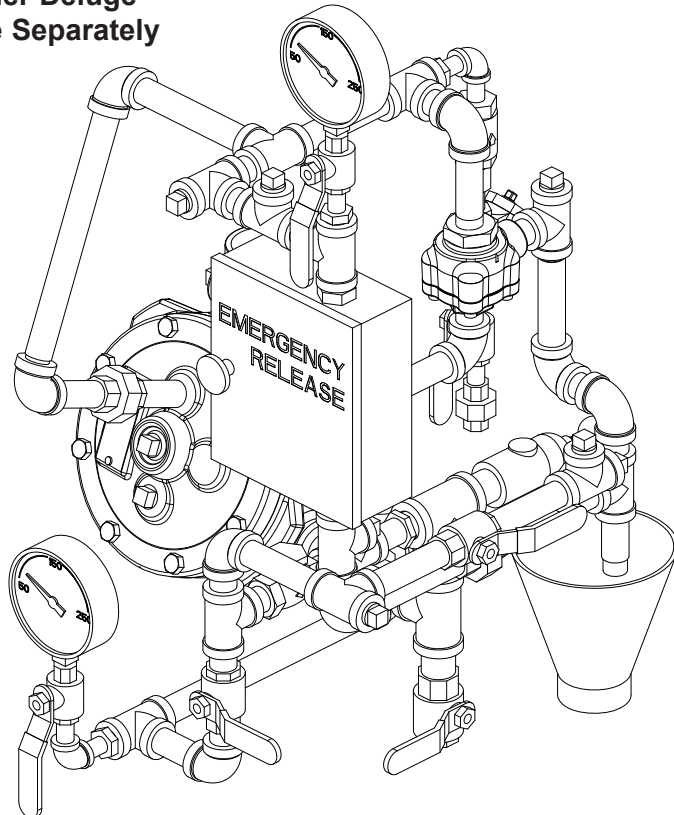
**TECHNICAL DATA**

**1-1/2" & 2" (DN40 & DN50) MODEL F  
DELUGE VALVE CONVENTIONAL  
STAINLESS STEEL VERTICAL  
TRIM CHART**

The Viking Corporation, 210 N Industrial Park Drive, Hastings MI 49058

Telephone: 269-945-9501 Technical Services: 877-384-5464 Fax: 269-818-1680 Email: techsvcs@vikingcorp.com

**Order Deluge  
Valve Separately**



**Figure 1**

<b>This Trim Chart is for use with the following Viking Trim Sets</b>	
<b>Valve Size</b>	<b>Stainless Steel Trim Part No.</b>
1-1/2" & 2" (DN40 & DN50)	14649

**Notes: For use with Trim Charts on Page 235j**

**General Notes:**

- Valve must be trimmed as shown. Any deviation from trim size or arrangement may affect the proper operation of the valve.
- Dimensions in parentheses are millimeter and may be approximations.

**Note 1:** Release System connection. Viking Deluge and Flow Control Valves are compatible with hydraulic, pneumatic, and electric release systems. A Pneumatic Actuator is required on all Viking Deluge Valves and Flow Control Valves equipped with Pneumatic Release Systems.

**Note 2:** Alarm Connections: Connect alarm line piping to 3/4" (20 mm) NPT outlet. When using a Water Motor Alarm, a strainer is required. 1/2" (15 mm) NPT outlet is for electric Alarm Pressure Switch.

**Note 3:** Optional non-interruptible connection for Alarm Pressure Switch to activate electric alarm panel. Note: After the Deluge Valve trips, this location cannot be shut off. Alarms may operate until the outlet chamber of the deluge valve is de-pressurized below the set point of the Alarm Pressure Switch.

**Note 4:** Viking Drain Check Valve is manufactured with a 0.067" (1.7 mm) orifice to allow alarm line to drain. Do not substitute. Check label for proper orientation.

**Note 5:** Inlet side of PORV is connected to the top chamber of the deluge valve. Inlet of PORV should be facing up. Outlet goes to open drain.



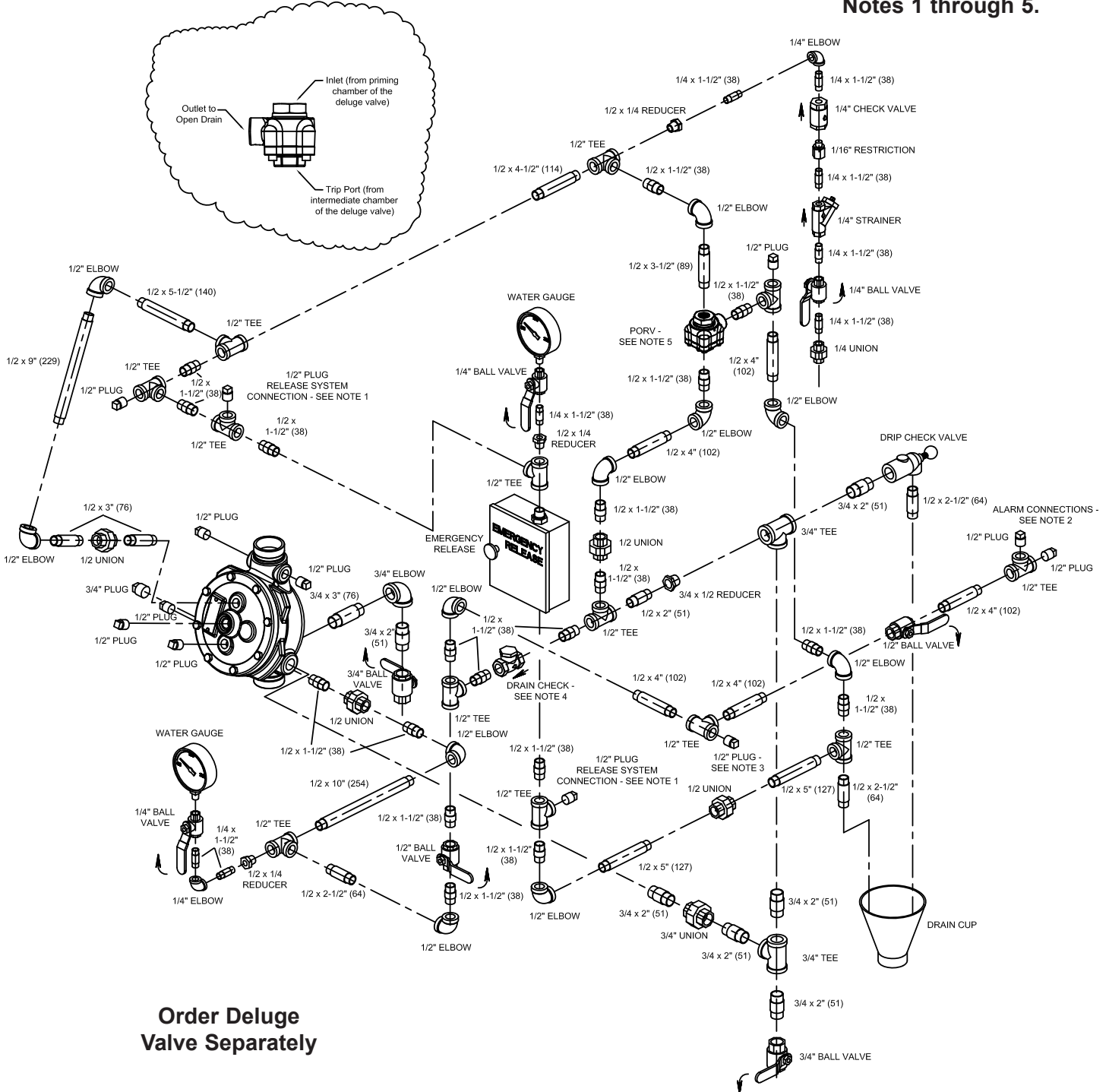
# TECHNICAL DATA

## 1-1/2" & 2" (DN40 & DN50) MODEL F DELUGE VALVE CONVENTIONAL STAINLESS STEEL VERTICAL TRIM CHART

The Viking Corporation, 210 N Industrial Park Drive, Hastings MI 49058

Telephone: 269-945-9501 Technical Services: 877-384-5464 Fax: 269-818-1680 Email: techsvcs@vikingcorp.com

Refer to page 235i for General Notes and Notes 1 through 5.



**Order Deluge Valve Separately**

**Figure 2**  
**3" Deluge Valve Trim**



# TECHNICAL DATA

## 1-1/2" & 2" (DN40 & DN50) MODEL F DELUGE VALVE CONVENTIONAL STAINLESS STEEL VERTICAL TRIM CHART

The Viking Corporation, 210 N Industrial Park Drive, Hastings MI 49058

Telephone: 269-945-9501 Technical Services: 877-384-5464 Fax: 269-818-1680 Email: techsvcs@vikingcorp.com

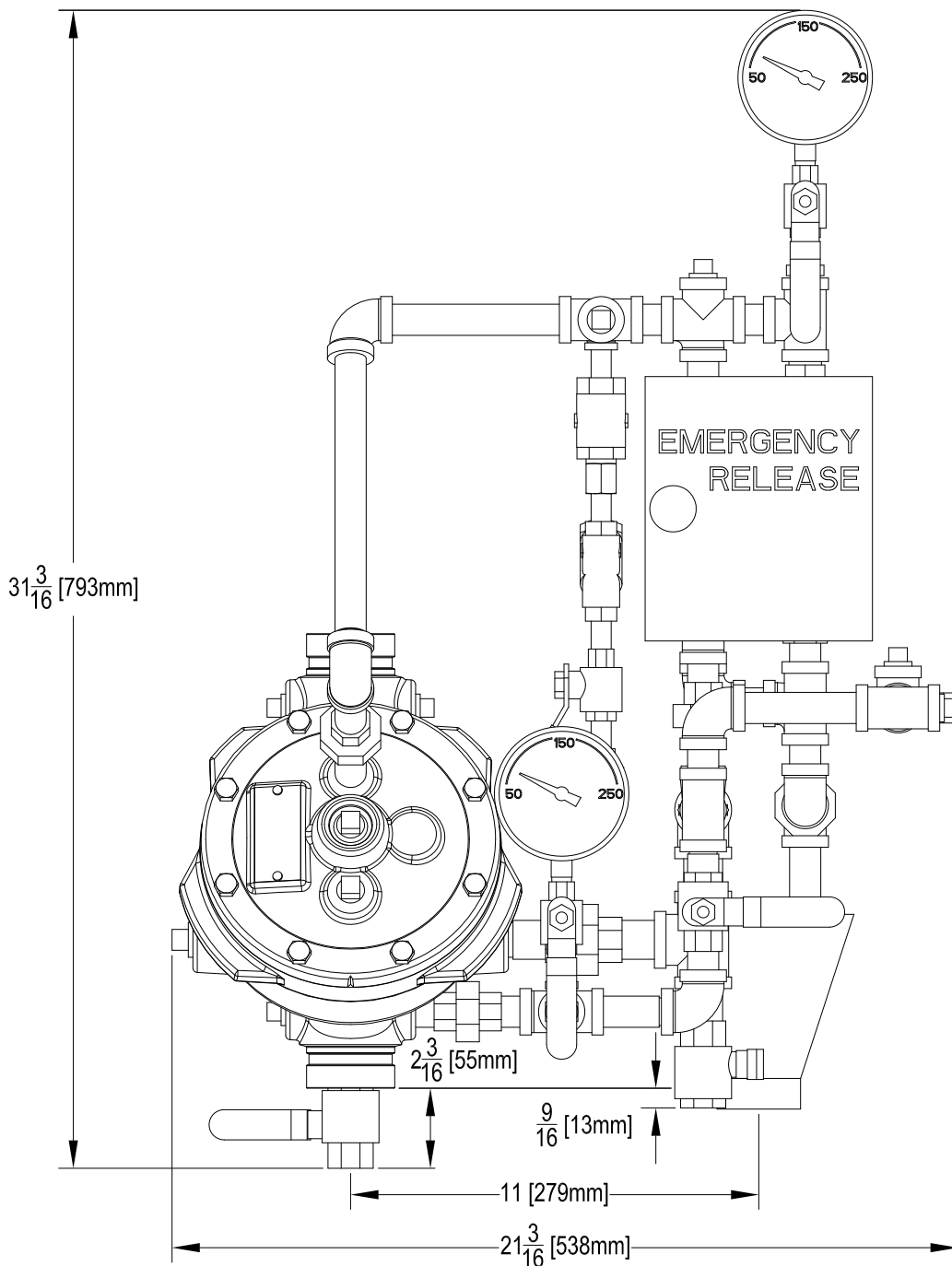


Figure 3a: Installation Dimensions



# TECHNICAL DATA

1-1/2" & 2" (DN40 & DN50) MODEL F  
DELUGE VALVE CONVENTIONAL  
STAINLESS STEEL VERTICAL  
TRIM CHART

The Viking Corporation, 210 N Industrial Park Drive, Hastings MI 49058

Telephone: 269-945-9501 Technical Services: 877-384-5464 Fax: 269-818-1680 Email: techsvcs@vikingcorp.com

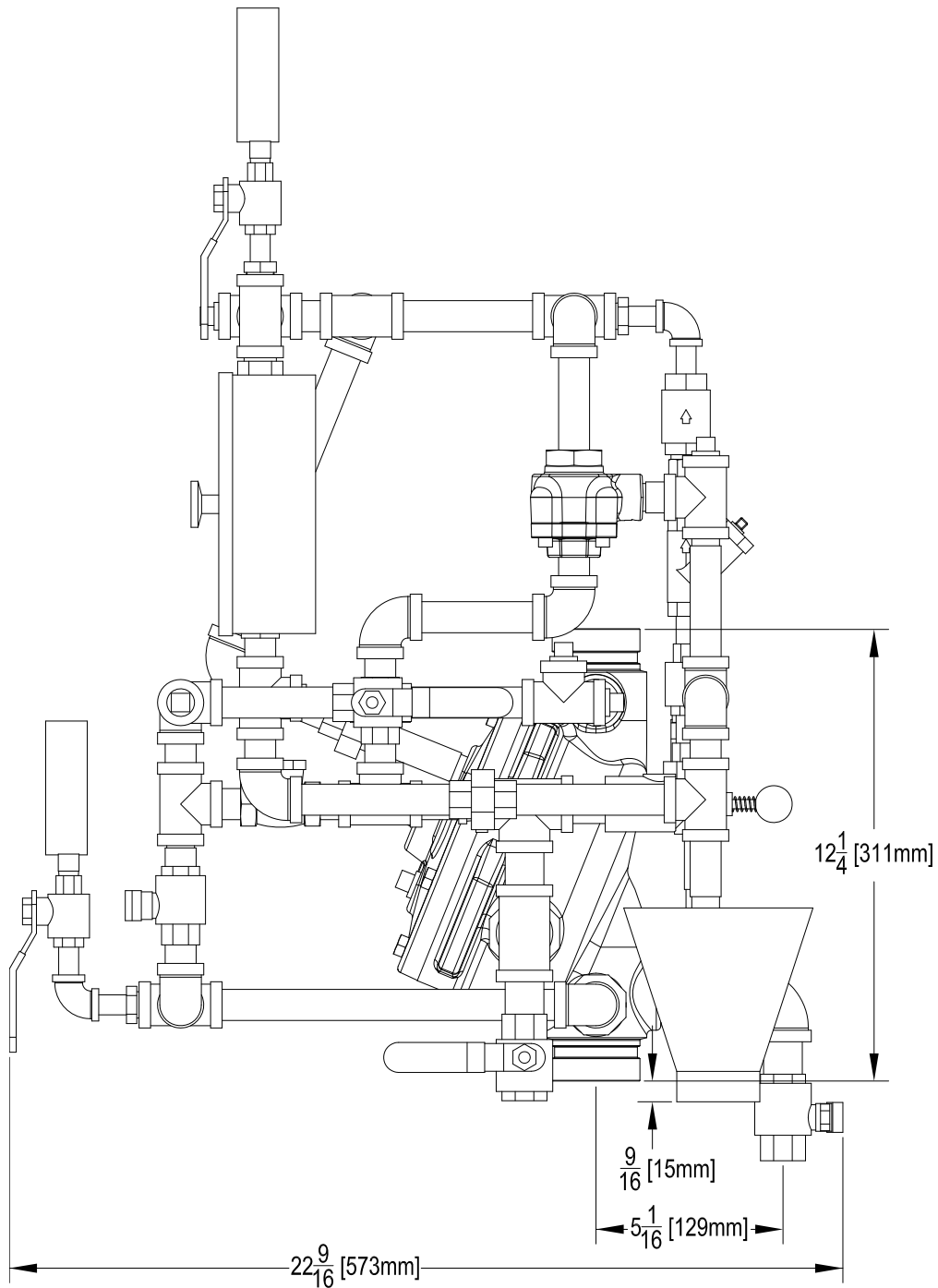


Figure 3b: Installation Dimensions