



TECHNICAL DATA

TRIMPAC® MODELS B-1 & B-1B DELUGE SYSTEM WITH ELECTRIC RELEASE

The Viking Corporation, 210 N Industrial Park Drive, Hastings MI 49058

Telephone: 269-945-9501 Technical Services: 877-384-5464 Fax: 269-818-1680 Email: techsvcs@vikingcorp.com

1. DESCRIPTION

TRIMPAC® Model B-1 and B-1B is a factory-assembled trim package with an electric release module in a metal enclosure. The standard trim normally required on a deluge valve has been moved to a single cabinet. TRIMPAC® Model B-1 and B-1B provides access doors for the emergency release (B.1) and alarm test valve (B.7) for manual operation of these trim valves. TRIMPAC® Model B-1 and B-1B is equipped with priming water pressure and water supply gauge view-ports for easy monitoring of water pressures. TRIMPAC® Model B-1 and B-1B eliminates the installation of alarm trim piping and release trim piping at the deluge valve. The enclosure protects trim valves from inadvertent operation. Piping (or the included stainless steel hose package) from the valve body to the enclosure assembly allows the assembly to be installed remote of the sprinkler system riser. TRIMPAC® Model B-1 and B-1B can be utilized for electric release deluge systems regardless of valve size. A valve drain package for the deluge valve is required and is ordered based on the deluge valve size. See Figures 14-16 for drain trim charts.



2. LISTINGS AND APPROVALS

cULus Listed - VLTR & VLTR7

FM Approved - Deluge Sprinkler Systems

NYC Department of Buildings - MEA 89-92-E, Vol. XXXIII

3. TECHNICAL DATA

Specifications:

Rated Water Working Pressure: 250 psi (17.2 bar)

Gauges: 0-300 PSI (0-20.7 bar)

Weight: 34 lbs. (15.4 kg.)

Dimensions: 16-1/8" (409 mm) high x 29-1/8" (748 mm) wide x 8-25/32" (223 mm) deep

U.S. Patent Number: 6,848,513

Material Standards:

Enclosure: 16 gauge steel

Painted red: Epoxy Powder Coat

PORV: Brass Body, 250 PSI (17.2 bar), 1/2" NPT inlet, 1/2" NPT drain, 1/2" NPT sensing side

Solenoid Valve: Normally Closed, Brass Body 1/2" (1.27 cm), 24 Volt DC, 250 psi (17.2 bar), NEMA Rated 1, 2, 3, 3S, 4 or 4X, 9 Watt

Ball valves: Brass, 1/2" NPT female ends

Strainer: Brass Body, 1/2" NPT inlet and outlet, 50 mesh stainless steel screen

Restricted orifice: Brass Body, 1/2" NPT male inlet and outlet, 0.0625" orifice

Spring Loaded Check Valve: Brass Body, 1/2" NPT female inlet and outlet

Drain Check Valve: Brass Body, 1/2" NPT female inlet and outlet, EPDM clapper rubber

Hoses (4): Flexible braided stainless steel hoses with steel fittings and connectors, PTFE lined

Drain Hose (1): PVC Hose 60" long with brass hose connector x 1/2" NPT

Trim Piping: 1/2" Galvanized or 1/2" brass

Fittings: 1/2" Galvanized

Ordering Information:

Part No. - Galvanized 13787B-1

Part No. - Brass 13787B-1B (Brass available by special order only.)

1. Accessories:

a. Vertical Mounting Plate Kit - Part No. 11900

b. Horizontal Mounting Plate Kit - Part No. 11901

c. Hose Assembly Kit (Includes (4) Stainless Steel Hoses and (1) PVC Drain Hose) - Part No. 12072

d. Individual 5'-0" Stainless Steel & PTFE Hose: Part No. 16558 (4) (included with Part No. 13787B-1 and 13787B-1B)

e. Individual PVC Hose: Part No. 12071 (1) (included with Part No. 13787B-1 and 13787B-1B)

f. Drain Package

i. Galvanized - 1-1/2" - 11894-1

Brass - 1-1/2" - 11894-5

ii. Galvanized - 2" - 11894-2

Brass - 2" - 11894-6

iii. Galvanized - 2-1/2" & 3" - 11894-3

Brass - 2-1/2" & 3" - 11894-7

Viking Technical Data may be found on
The Viking Corporation's Web site at
<http://www.vikinggroupinc.com>.
The Web site may include a more recent
edition of this Technical Data Page.



TECHNICAL DATA

TRIMPAC® MODELS B-1 & B-1B DELUGE SYSTEM WITH ELECTRIC RELEASE

The Viking Corporation, 210 N Industrial Park Drive, Hastings MI 49058

Telephone: 269-945-9501 Technical Services: 877-384-5464 Fax: 269-818-1680 Email: techsvcs@vikingcorp.com

iv. Galvanized - 4", 6" & 8" - 11894-4

Brass - 4", 6" & 8" - 11894-8

4. INSTALLATION (Refer to Figures 3 - 12 for identification of trim components. Refer to Figure 13 for wall mounting.)

1. Trimpac® Model B-1 and B-1B trim assemblies may be installed with angle style Model E Deluge Valves, sizes 1-1/2", 2", 3", 4" and 6", as well as straight through style Model F Deluge Valves, sizes 1-1/2", 2", 2-1/2", 3", 4", 6", and 8". TRIMPAC® Deluge Trim Assemblies may also be installed with angle style Model H Flow Control Valves, sizes 1-1/2", 2", 2-1/2", 3", 4", and 6", as well as straight through style Model J Flow Control Valves, sizes 1-1/2", 2", 2-1/2", 3", 4", 6", and 8".
2. **Trimpac® Model B-1 and B-1B trim assembly and valve must be installed in an area not subject to freezing.**
3. **Trimpac® Model B-1 and B-1B trim assembly must be installed to facilitate drainage.**
4. **Trimpac® Model B-1 and B-1B trim assembly must be installed above the elevation of the drip check valve (C.2).**
5. Trimpac® Model B-1 and B-1B Trim Assembly can be installed with the furnished hose package or 1/2" non-corrosive metallic piping. The maximum distance the Trimpac® Model B-1 and B-1B may be installed away from the deluge/flow control valve is 5'-0".
6. The deluge valve equipped with Trimpac® Model B-1 and B-1B must be installed in accordance with Viking Technical data. The required drain package must be installed in accordance with Figures 14-16.
 - a. Remove all plastic thread protectors from the openings of the deluge/flow control valve and the Trimpac® Model B-1 and B-1B Trim Assembly.
 - b. Apply a small amount of pipe-joint compound or tape to the external threads of all pipe connections required. Take care not to allow any compound, tape, or other foreign matter inside any of the nipples or openings of the valve or trim components.
 - c. Verify that all system components are rated for the water working pressure of the system.

Hydrostatic Test:

The Viking deluge valve is manufactured and listed for use at a maximum Water Working Pressure of 250 PSI (17.2 bar). The valve is factory tested at 500 psi (34.5 bar). The Viking deluge valve may be hydrostatically tested at 300 PSI (20.7 bar) and/or 50 PSI (3.5 bar) above the normal Water Working Pressure, for limited periods of time (2 hours) for the purpose of acceptance by the Authority Having Jurisdiction. If air testing is required, DO NOT exceed 40 psi (2.8 bar) air pressure.

Trim Note: (Refer also to System Data and/or Trim Chart.)

Discharge piping from the auxiliary drain valve (C.1), the flow test valve (C.4), and all system drains should be kept separate. DO NOT connect the outlet of the drip check (C.2) to any other drain.

7. The priming line must be connected upstream of the system water supply main control valve (E.1).

CAUTION: OPERATION OF VIKING DELUGE VALVE BY PRESSURIZING THE PRIMING CHAMBER WITH AIR PRESSURE OR ANY OTHER PRESSURIZED GAS IS NOT RECOMMENDED OR APPROVED.

8. Placing the System in Service: (Refer to Figures 3 - 12.)

- a. Verify:
 - i. The system Main Water Supply Control Valve (E.1) is closed and that the Trimpac® Model B-1 and B-1B and required drain package is installed according to Viking Trim Charts and schematic drawings for the system used.
 - ii. The system has been properly drained.
 - iii. Auxiliary Drain (C.1) is open.
 - iv. The Emergency Release (B.1) is closed. **Note:** Emergency release (B.1) is closed when the handle is In-Line with the pipe. This allows the door to close when the valve is in the normal position.
 - v. The system water supply piping is pressurized up to the closed Main Water Supply Control Valve (E.1) and the priming line is pressurized up to the closed Priming Valve (B.2).
- b. Open Priming Valve (B.2).
- c. Set the electric release system. (Listed release control panel (F.1) must be in the reset position so the normally closed solenoid valve (B.12) is closed allowing the priming chamber to become pressurized, thereby setting the valve in the closed position.)
- d. Open Flow Test Valve (C.4).
- e. Partially open Main Water Supply Control Valve (E.1).
- f. When full flow develops from the Flow Test Valve (C.4), close the Flow Test Valve. Verify that there is no flow from the open Auxiliary Drain Valve (C.1).
- g. Close Auxiliary Drain (C.1).
- h. Fully open and secure the Main Water Supply Control Valve (E.1).
 - i. Verify that the Alarm Shut-off Valve (B.10) is open and all other valves are in their normal operating position.
 - j. Depress the plunger of Drip Check (C.2). No water should flow from the Drip Check when the plunger is pushed.
 - k. Check for and repair all leaks.
 - l. On new installations, those systems that have been placed out of service or where new equipment has been installed, trip



TECHNICAL DATA

TRIMPAC® MODELS B-1 & B-1B DELUGE SYSTEM WITH ELECTRIC RELEASE

The Viking Corporation, 210 N Industrial Park Drive, Hastings MI 49058

Telephone: 269-945-9501 Technical Services: 877-384-5464 Fax: 269-818-1680 Email: techsvcs@vikingcorp.com

test the system to verify that all equipment functions properly. Refer to the deluge valve/flow control valve data page for Maintenance of the valve.

CAUTION: PERFORMING A TRIP TEST RESULTS IN OPERATION OF THE DELUGE/FLOW CONTROL VALVE. WATER WILL FLOW INTO THE SPRINKLER PIPING. TAKE NECESSARY PRECAUTIONS TO PREVENT DAMAGE.

m. Valve Removed from Service.

NOTE: WHEN A VALVE HAS BEEN REMOVED FROM SERVICE AND IS SUBJECT TO FREEZING OR WILL BE OUT OF SERVICE FOR AN EXTENDED PERIOD OF TIME, ALL WATER MUST BE REMOVED FROM THE PRIMING CHAMBER, TRIM PIPING, WATER SUPPLY PIPING, AND OTHER TRAPPED AREAS.

5. OPERATION (See Figures 3-12.)

TRIMPAC® Model B-1 and B-1B incorporates an electric release solenoid (B.12) that controls the pressurization of the priming chamber of the deluge valve (A.1). Water is supplied to the deluge valve's priming chamber from an outlet upstream of the water supply control valve (E.1). Water follows Point #1 to the TRIMPAC® Model B-1 and B-1B, passes through the normally opened priming valve (B.2), Y strainer (B.3), 1/16" restricted orifice (B.4), and spring loaded check valve (B.5). Water is supplied to the inlet side of the normally closed solenoid valve (B.12) and to the priming side of the PORV (B.11). Priming water exits the TRIMPAC® Model B-1 and B-1B through the outlet side of the 1/2" tee supplying the PORV (B.11) and the NC solenoid valve (B.12) of the TRIMPAC®, passing to the priming chamber of the deluge valve, pressurizing the deluge valve closed. (Priming pressure can be identified at the priming pressure gauge view-port on the TRIMPAC® Model B-1 and B-1B.) Once priming pressure is present in the priming chamber of the deluge valve, the water supply control valve can be opened. Once the water supply control valve (E.1) is opened, water will pressurize the inlet chamber of the deluge valve, water will exit the inlet chamber of the deluge valve and enter Point #5 of the TRIMPAC® Model B-1 and B-1B. After water enters Point #5 of the TRIMPAC® Model B-1 and B-1B it will pressurize the water supply pressure gauge (B.9). Water pressure will now be available on the inlet of the normally closed alarm test valve (B.7). The valve and trim assembly is now in a normal operation mode.

In Fire Conditions:

A compatible electric release device (F.2) (or combination of compatible electric release devices) activates which initiates a power sequence from a listed release control panel (F.1) to open the normally closed solenoid valve (B.12) in the TRIMPAC® Model B-1 and B-1B. The solenoid valve (B.12) opens releasing the water pressure in the deluge valve's priming chamber. Priming water is discharged from the outlet of the solenoid valve to the drain cup (C.3). Once the priming water pressure is relieved in the priming chamber of the deluge valve, water supply pressure will pass from the inlet of the deluge valve to the outlet of the deluge valve to the sprinkler piping. During deluge valve operation, water is discharged through the drain valve package to Point #4 of the TRIMPAC® Model B-1 and B-1B. Water enters Point #4 of the TRIMPAC® Model B-1 and B-1B to activate the water flow alarms and pressurize the sensing line of the PORV (B.11). Once the sensing side of the PORV (B.11) is pressurized, priming water will be vented from the drain end of the PORV (B.11) through Point #3 of TRIMPAC® Model B-1 and B-1B to the drain cup (C.3).

To return the system to "Normal" conditions, drain the system piping and replace any sprinklers that may have operated. Replace any detectors that have been damaged. Re-establish system air pressure by following the steps in section 4. INSTALLATION, Step 8 Placing the System in Service.

6. INSPECTIONS, TESTS, AND MAINTENANCE

It is imperative that the system be inspected and tested on a regular basis. The frequency of the inspections may vary due to contaminated water supplies, corrosive water supplies, or corrosive atmospheres. Also, the alarm devices, detection systems, or other connected trim may require a more frequent schedule. For minimum maintenance and inspection requirements, refer to NFPA 25. In addition, the Authority Having Jurisdiction may have additional maintenance, testing, and inspection requirements that must be followed. Refer to the specific Viking deluge valve data page for periodic testing.

Maintenance:

TRIMPAC® Model B-1 and B-1B should be inspected, tested, and maintained in accordance with the latest edition of NFPA 25, The Standard for Inspection, Testing, and Maintenance of water based fire protection systems, and in accordance with the Authority Having Jurisdiction.

NOTICE: THE OWNER IS RESPONSIBLE FOR MAINTAINING THE FIRE PROTECTION SYSTEM AND DEVICES IN PROPER OPERATING CONDITION. THE DELUGE VALVE MUST BE KEPT FROM FREEZING CONDITIONS AND PHYSICAL DAMAGE THAT COULD IMPAIR ITS OPERATION. WHERE DIFFICULTY IN PERFORMANCE IS EXPERIENCED, THE VALVE MANUFACTURER OR AUTHORIZED REPRESENTATIVE SHALL BE CONTACTED IF ANY FIELD ADJUSTMENT IS TO BE MADE.

WARNING: ANY SYSTEM MAINTENANCE THAT INVOLVES PLACING THE CONTROL VALVE OR DETECTION SYSTEM OUT OF SERVICE MAY ELIMINATE THE FIRE PROTECTION CAPABILITIES OF THAT SYSTEM. PRIOR TO PROCEEDING, NOTIFY THE AUTHORITY HAVING JURISDICTION. CONSIDERATION SHOULD BE GIVEN TO EMPLOYMENT OF A FIRE PATROL IN THE EFFECTED AREA.



TECHNICAL DATA

TRIMPAC® MODELS B-1 & B-1B DELUGE SYSTEM WITH ELECTRIC RELEASE

The Viking Corporation, 210 N Industrial Park Drive, Hastings MI 49058

Telephone: 269-945-9501 Technical Services: 877-384-5464 Fax: 269-818-1680 Email: techsvcs@vikingcorp.com

After Each Operation:

1. Sprinkler systems that have been subjected to a fire must be returned to service as soon as possible. The entire system must be inspected for damage, and repaired or replaced as necessary.
2. Deluge valves and TRIMPAC® Model B-1 and B-1B that have been subjected to brackish water, salt water, foam, foam/water solution, or any other corrosive water supply should be flushed with good quality fresh water before being returned to service. Refer to specific deluge valve for maintenance schedule.

7. AVAILABILITY

The Viking TRIMPAC® Model B-1 and B-1B is available through a network of domestic and international distributors. See the Viking Corp. Web site for closest distributor or contact The Viking Corporation.

8. GUARANTEE

For details of warranty, refer to Viking's current list price schedule or contact Viking directly.

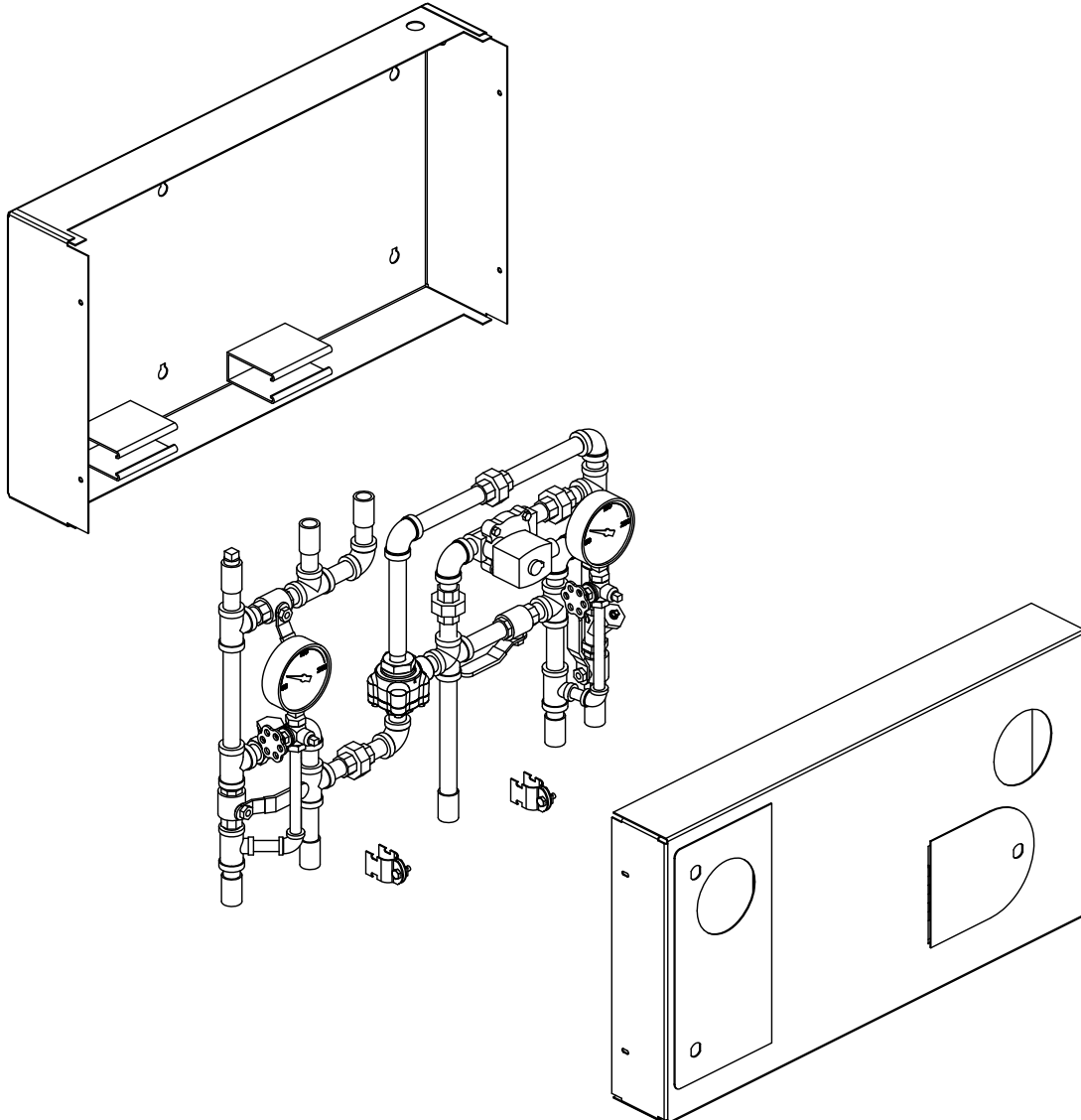


Figure 1 - Isometric View

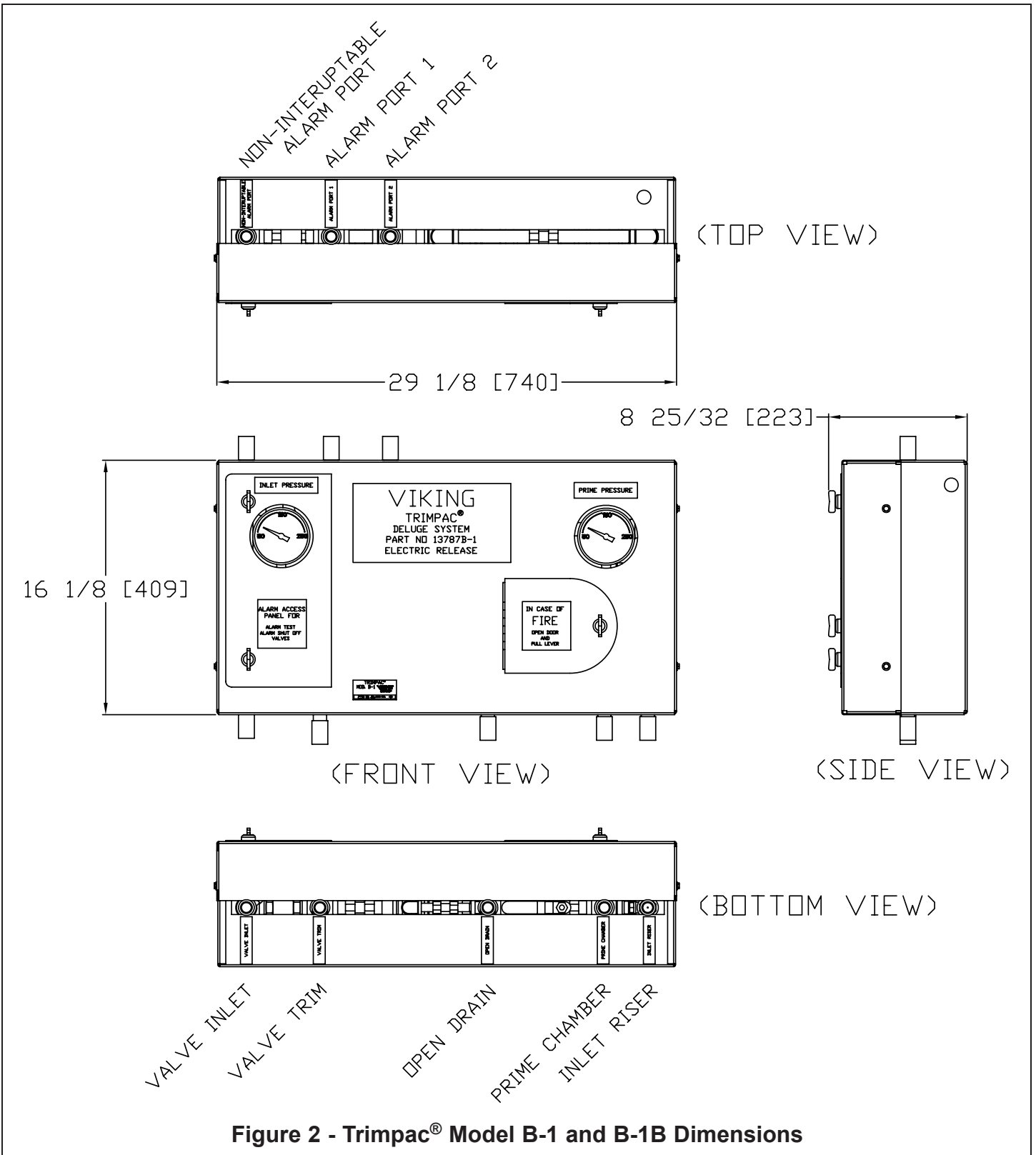


TECHNICAL DATA

TRIMPAC® MODELS B-1 & B-1B DELUGE SYSTEM WITH ELECTRIC RELEASE

The Viking Corporation, 210 N Industrial Park Drive, Hastings MI 49058

Telephone: 269-945-9501 Technical Services: 877-384-5464 Fax: 269-818-1680 Email: techsvcs@vikingcorp.com



	<h1 style="margin: 0;">TECHNICAL DATA</h1>	TRIMPAC® MODELS B-1 & B-1B DELUGE SYSTEM WITH ELECTRIC RELEASE
---	--	---

The Viking Corporation, 210 N Industrial Park Drive, Hastings MI 49058
 Telephone: 269-945-9501 Technical Services: 877-384-5464 Fax: 269-818-1680 Email: techsvcs@vikingcorp.com

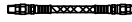
Component	Description	Part Numbers	Corresponding Data Pages											
A	System Valve													
	A.1	Deluge Valve	Various	209 through 219										
B	Trimpac													
	B.1 - B.12	Trimpac Components	Refer to Figure 12.											
C	Trimpac Drain Package													
	C.1	Auxiliary Drain Valve (NC)	<table style="width: 100%; border: none;"> <tr> <td style="text-align: center;">Galv.</td> <td style="text-align: center;">Brass</td> </tr> <tr> <td style="text-align: center;">1-1/2" -</td> <td style="text-align: center;">11894-1 or 11894-5</td> </tr> <tr> <td style="text-align: center;">2" -</td> <td style="text-align: center;">11894-2 or 11894-6</td> </tr> <tr> <td style="text-align: center;">2-1/2" & 3" -</td> <td style="text-align: center;">11894-3 or 11894-7</td> </tr> <tr> <td style="text-align: center;">4", 6" & 8" -</td> <td style="text-align: center;">11894-4 or 11894-8</td> </tr> </table>	Galv.	Brass	1-1/2" -	11894-1 or 11894-5	2" -	11894-2 or 11894-6	2-1/2" & 3" -	11894-3 or 11894-7	4", 6" & 8" -	11894-4 or 11894-8	244a-p
	Galv.	Brass												
	1-1/2" -	11894-1 or 11894-5												
	2" -	11894-2 or 11894-6												
2-1/2" & 3" -	11894-3 or 11894-7													
4", 6" & 8" -	11894-4 or 11894-8													
C.2	Drip Check Valve													
C.3	Drain Cup													
C.4	Flow Test Valve (NC)													
D	Water Flow Alarm Equipment													
	D.1	Alarm Pressure Switch	PS101A	-										
	D.2	Water Motor Alarm (F-2) (Optional)	07862	711a-d										
	D.3	Strainer	01489A	-										
	D.4	Electric Alarm Bell	-	-										
E	Riser													
	E.1	Water Supply Control Valve	-	-										
	E.2	System Drain (Recommended)	Sized according to NFPA 13.											
F	Release System													
	F.1	VFR400 Multi-Hazard Release Control Panel	14152	290a-h										
	F.2	Electrical Detection System (Heat Detector Shown for Clarity)	Various	-										

Table 1 - Trimpac System Components
 Refer to Figures 3 through 12 for component identification.

Note: When viewing this Data Page online, [blue](#) text represents hyperlinks and will open the desired data page when clicked.

Legend for Figures 3 - 10

----- Dashed lines indicate pipe required but not included with TRIMPAC trim packages. Minimum 1/2" nominal piping recommended.

 Smaller diameter hoses are the (4) included flexible braided stainless steel hoses. Also available as a kit (P/N) 12072

 Larger diameter hose is the included PVC Drain Hose. Also available separately (P/N 12071).

** 1/2" (15 mm) NPT for non-interruptible Alarm Pressure Switch (Optional)

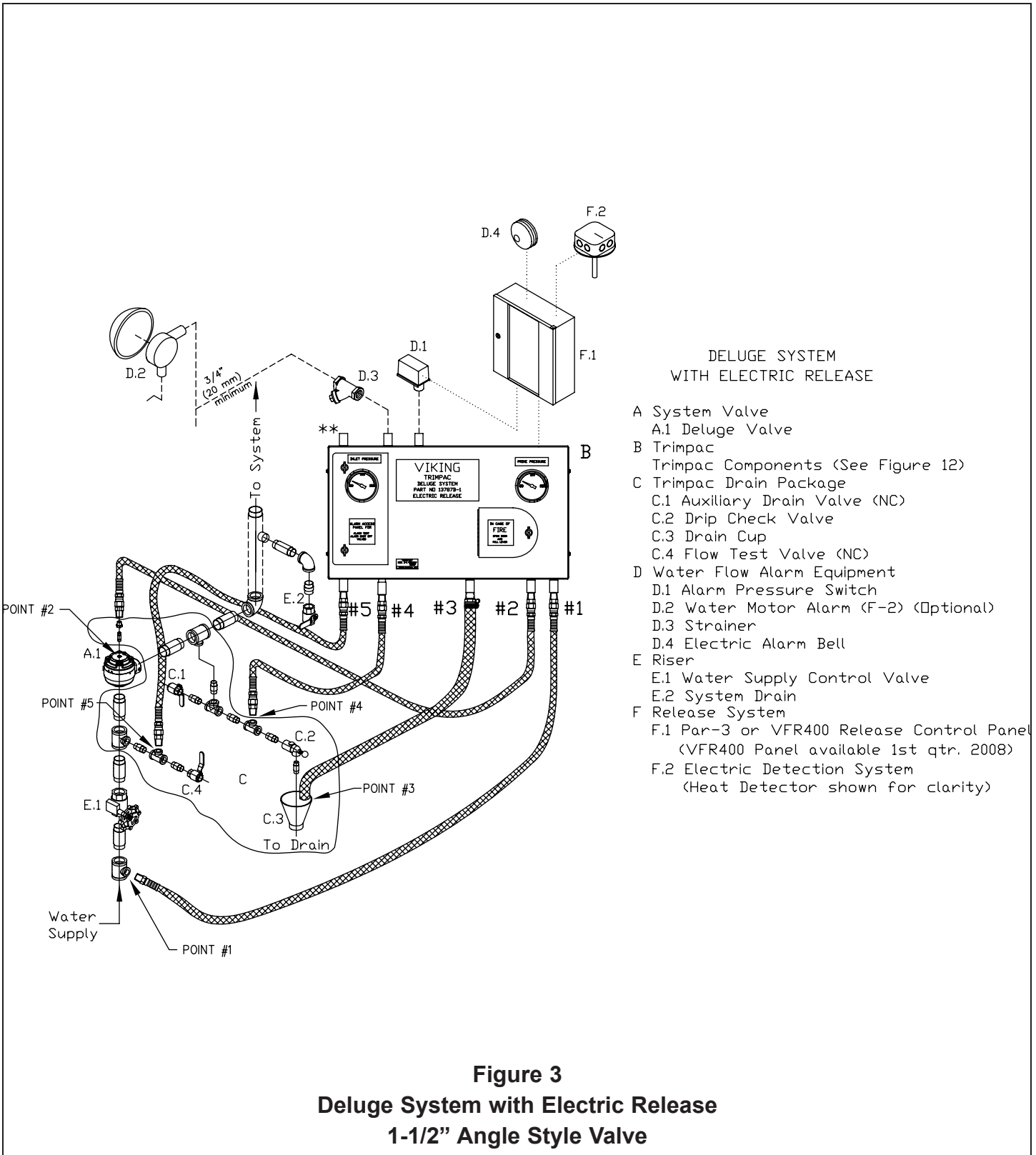


TECHNICAL DATA

**TRIMPAC® MODELS B-1 & B-1B
DELUGE SYSTEM
WITH ELECTRIC RELEASE**

The Viking Corporation, 210 N Industrial Park Drive, Hastings MI 49058

Telephone: 269-945-9501 Technical Services: 877-384-5464 Fax: 269-818-1680 Email: techsvcs@vikingcorp.com



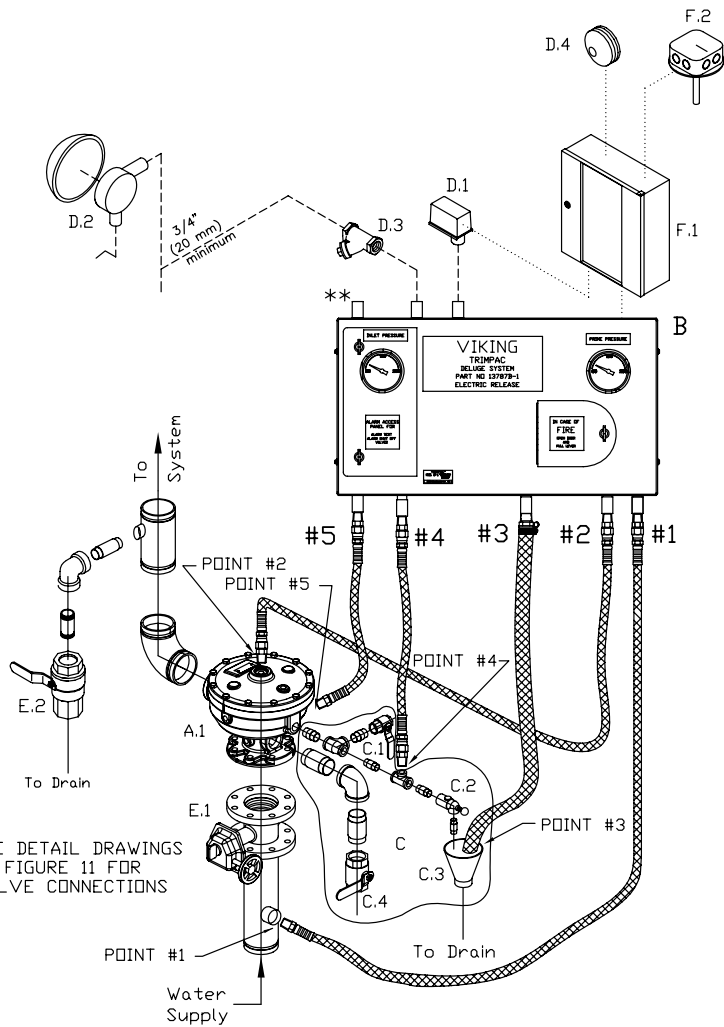


TECHNICAL DATA

**TRIMPAC® MODELS B-1 & B-1B
DELUGE SYSTEM
WITH ELECTRIC RELEASE**

The Viking Corporation, 210 N Industrial Park Drive, Hastings MI 49058

Telephone: 269-945-9501 Technical Services: 877-384-5464 Fax: 269-818-1680 Email: techsvcs@vikingcorp.com



**DELUGE SYSTEM
WITH ELECTRIC RELEASE**

- A System Valve
 - A.1 Deluge Valve
- B Trimpac
- C Trimpac Drain Package
 - C.1 Auxiliary Drain Valve (NC)
 - C.2 Drip Check Valve
 - C.3 Drain Cup
 - C.4 Flow Test Valve (NC)
- D Water Flow Alarm Equipment
 - D.1 Alarm Pressure Switch
 - D.2 Water Motor Alarm (F-2) (Optional)
 - D.3 Strainer
 - D.4 Electric Alarm Bell
- E Riser
 - E.1 Water Supply Control Valve
 - E.2 System Drain
- F Release System
 - F.1 Par-3 or VFR400 Release Control Panel
(VFR400 Panel available 1st qtr. 2008)
 - F.2 Electric Detection System
(Heat Detector shown for clarity)

Figure 4

**Deluge System with Electric Release
2", 3", 4" & 6" Angle Style Valve**

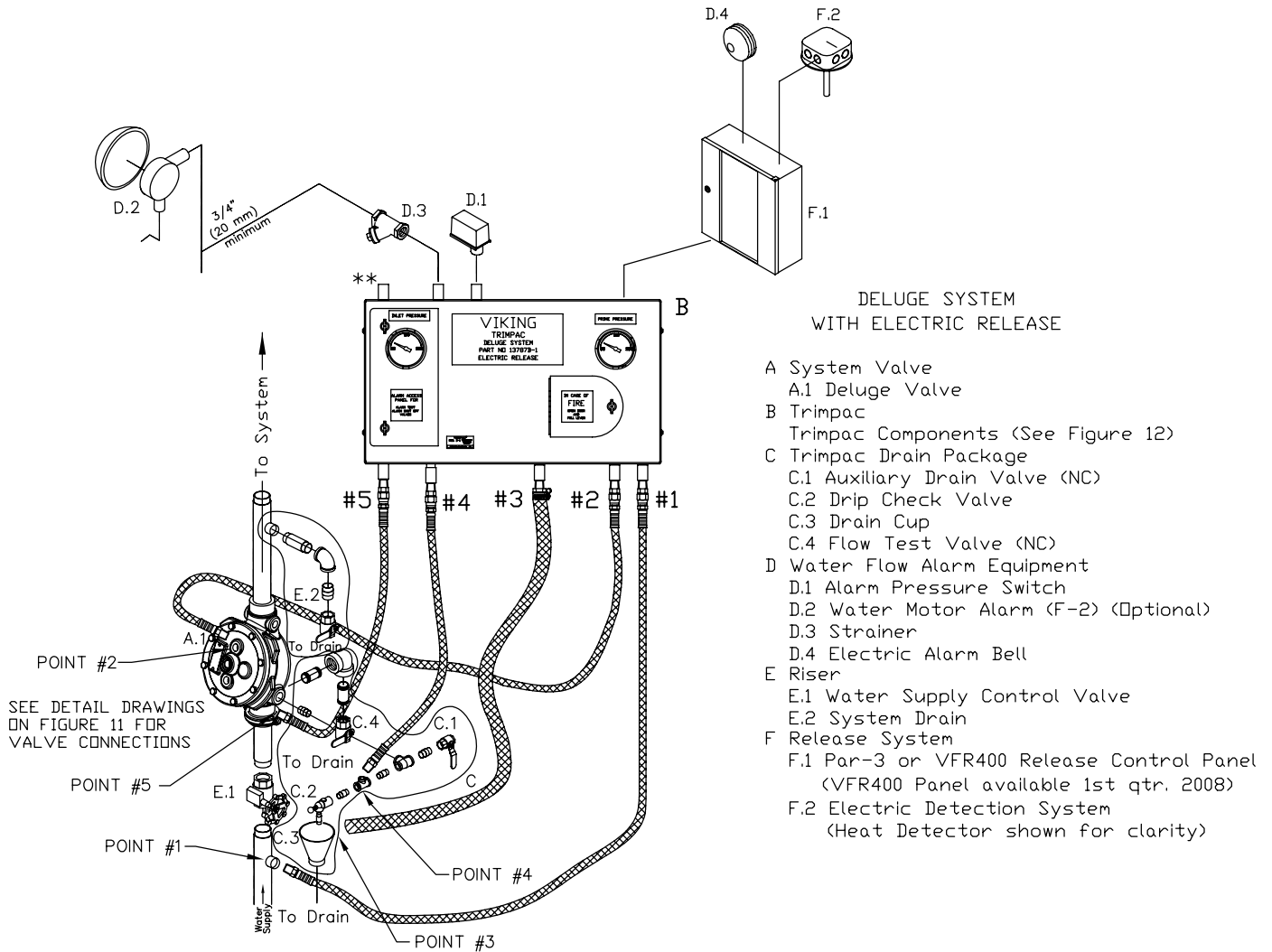


TECHNICAL DATA

**TRIMPAC® MODELS B-1 & B-1B
DELUGE SYSTEM
WITH ELECTRIC RELEASE**

The Viking Corporation, 210 N Industrial Park Drive, Hastings MI 49058

Telephone: 269-945-9501 Technical Services: 877-384-5464 Fax: 269-818-1680 Email: techsvcs@vikingcorp.com



**Figure 5
Deluge System with Electric Release
1-1/2" & 2" Straight Through Vertical Style Valve**

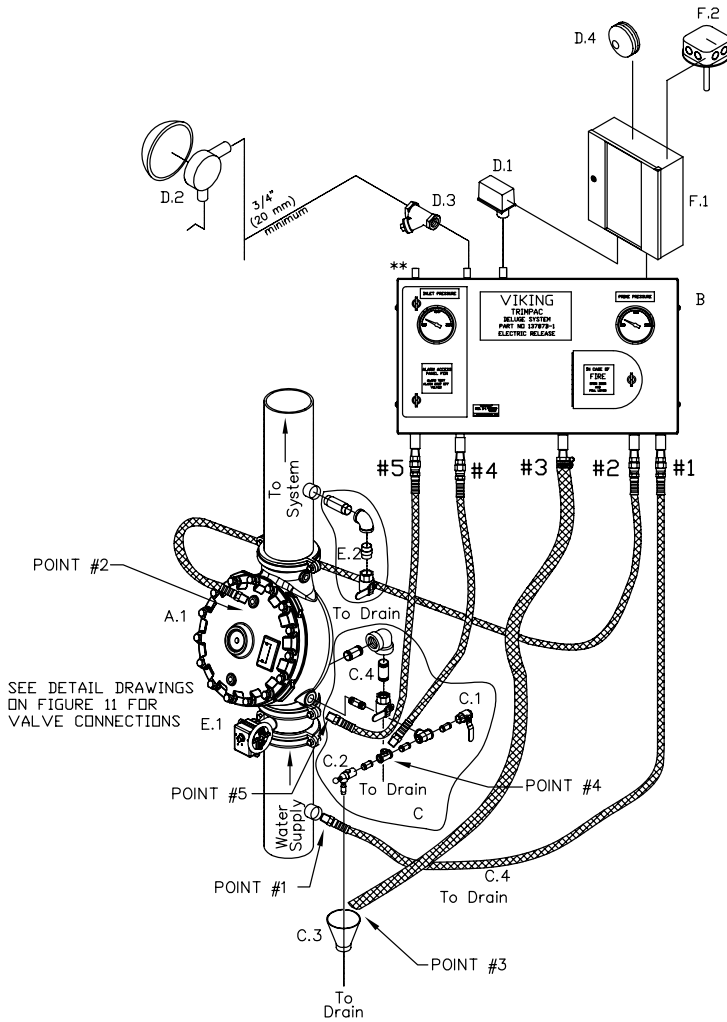


TECHNICAL DATA

**TRIMPAC® MODELS B-1 & B-1B
DELUGE SYSTEM
WITH ELECTRIC RELEASE**

The Viking Corporation, 210 N Industrial Park Drive, Hastings MI 49058

Telephone: 269-945-9501 Technical Services: 877-384-5464 Fax: 269-818-1680 Email: techsvcs@vikingcorp.com



**DELUGE SYSTEM
WITH ELECTRIC RELEASE**

- A System Valve
 - A.1 Deluge Valve
- B Trimpac
 - Trimpac Components (See Figure 12)
- C Trimpac Drain Package
 - C.1 Auxiliary Drain Valve (NC)
 - C.2 Drip Check Valve
 - C.3 Drain Cup
 - C.4 Flow Test Valve (NC)
- D Water Flow Alarm Equipment
 - D.1 Alarm Pressure Switch
 - D.2 Water Motor Alarm (F-2) (Optional)
 - D.3 Strainer
 - D.4 Electric Alarm Bell
- E Riser
 - E.1 Water Supply Control Valve
 - E.2 System Drain
- F Release System
 - F.1 Par-3 or VFR400 Release Control Panel (VFR400 Panel available 1st qtr. 2008)
 - F.2 Electric Detection System (Heat Detector shown for clarity)

SEE DETAIL DRAWINGS ON FIGURE 11 FOR VALVE CONNECTIONS

**Figure 6
Deluge System with Electric Release
2-1/2" - 6" Straight Through Vertical Valve**

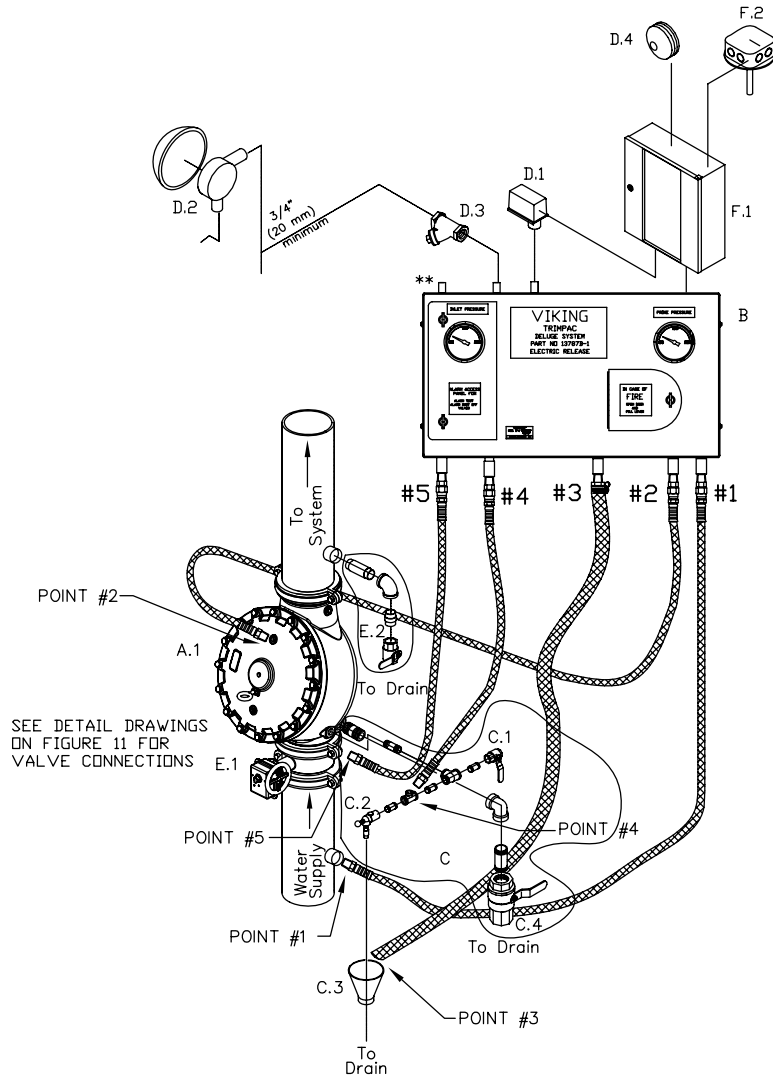


TECHNICAL DATA

**TRIMPAC® MODELS B-1 & B-1B
DELUGE SYSTEM
WITH ELECTRIC RELEASE**

The Viking Corporation, 210 N Industrial Park Drive, Hastings MI 49058

Telephone: 269-945-9501 Technical Services: 877-384-5464 Fax: 269-818-1680 Email: techsvcs@vikingcorp.com



**DELUGE SYSTEM
WITH ELECTRIC RELEASE**

- A System Valve
 - A.1 Deluge Valve
- B Trimpac
 - Trimpac Components (See Figure 12)
- C Trimpac Drain Package
 - C.1 Auxiliary Drain Valve (NC)
 - C.2 Drip Check Valve
 - C.3 Drain Cup
 - C.4 Flow Test Valve (NC)
- D Water Flow Alarm Equipment
 - D.1 Alarm Pressure Switch
 - D.2 Water Motor Alarm (F-2) (Optional)
 - D.3 Strainer
 - D.4 Electric Alarm Bell
- E Riser
 - E.1 Water Supply Control Valve
 - E.2 System Drain
- F Release System
 - F.1 Par-3 or VFR400 Release Control Panel
(VFR400 Panel available 1st qtr. 2008)
 - F.2 Electric Detection System
(Heat Detector shown for clarity)

SEE DETAIL DRAWINGS
ON FIGURE 11 FOR
VALVE CONNECTIONS

**Figure 7
Deluge System with Electric Release
8" Straight Through Vertical Valve**

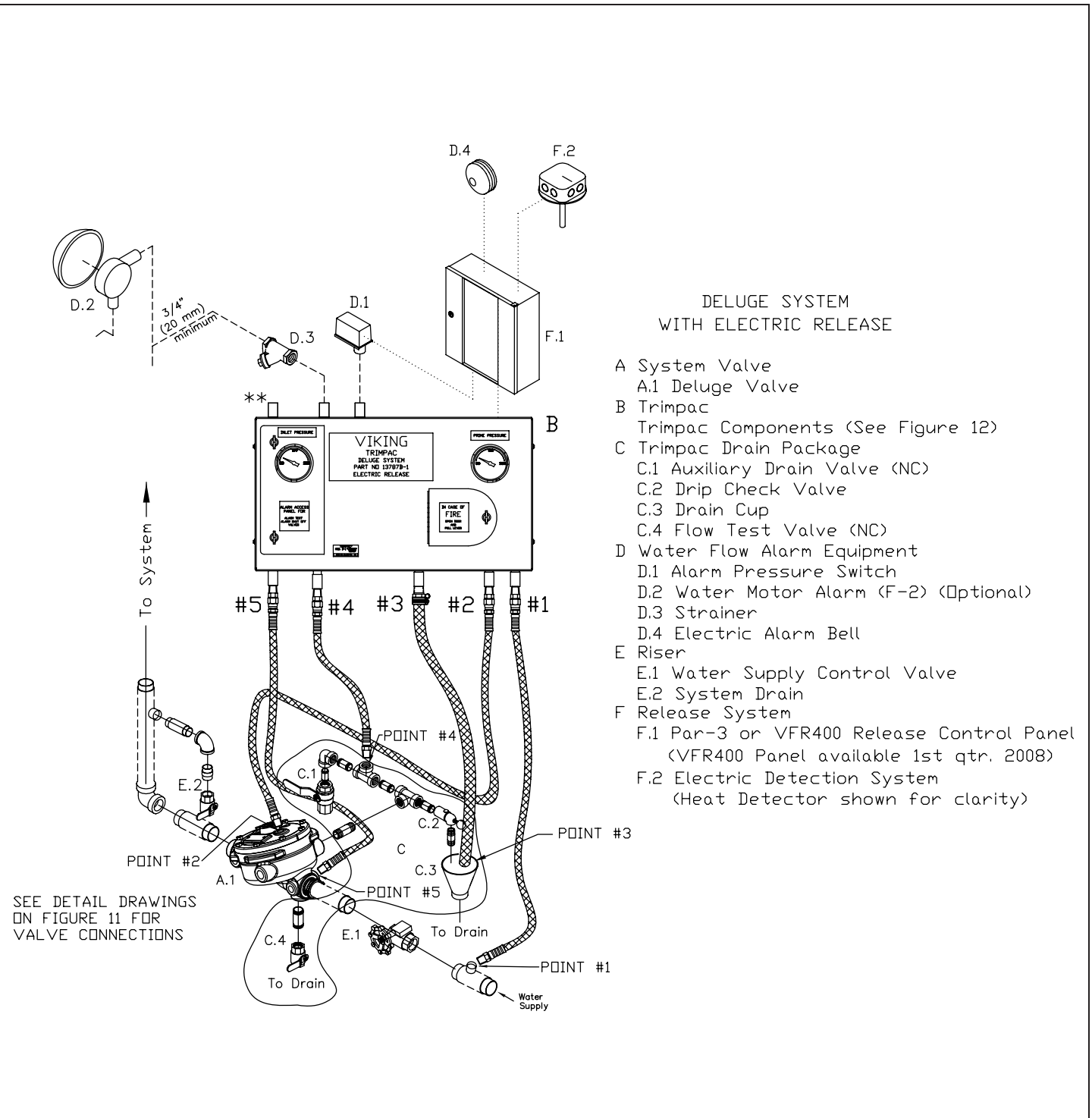


TECHNICAL DATA

**TRIMPAC® MODELS B-1 & B-1B
DELUGE SYSTEM
WITH ELECTRIC RELEASE**

The Viking Corporation, 210 N Industrial Park Drive, Hastings MI 49058

Telephone: 269-945-9501 Technical Services: 877-384-5464 Fax: 269-818-1680 Email: techsvcs@vikingcorp.com



- DELUGE SYSTEM
WITH ELECTRIC RELEASE
- A System Valve
 - A.1 Deluge Valve
 - B Trimpac
 - Trimpac Components (See Figure 12)
 - C Trimpac Drain Package
 - C.1 Auxiliary Drain Valve (NC)
 - C.2 Drip Check Valve
 - C.3 Drain Cup
 - C.4 Flow Test Valve (NC)
 - D Water Flow Alarm Equipment
 - D.1 Alarm Pressure Switch
 - D.2 Water Motor Alarm (F-2) (Optional)
 - D.3 Strainer
 - D.4 Electric Alarm Bell
 - E Riser
 - E.1 Water Supply Control Valve
 - E.2 System Drain
 - F Release System
 - F.1 Par-3 or VFR400 Release Control Panel
(VFR400 Panel available 1st qtr. 2008)
 - F.2 Electric Detection System
(Heat Detector shown for clarity)

Figure 8
Deluge System with Electric Release
1-1/2" & 2" Straight Through Horizontal Valve

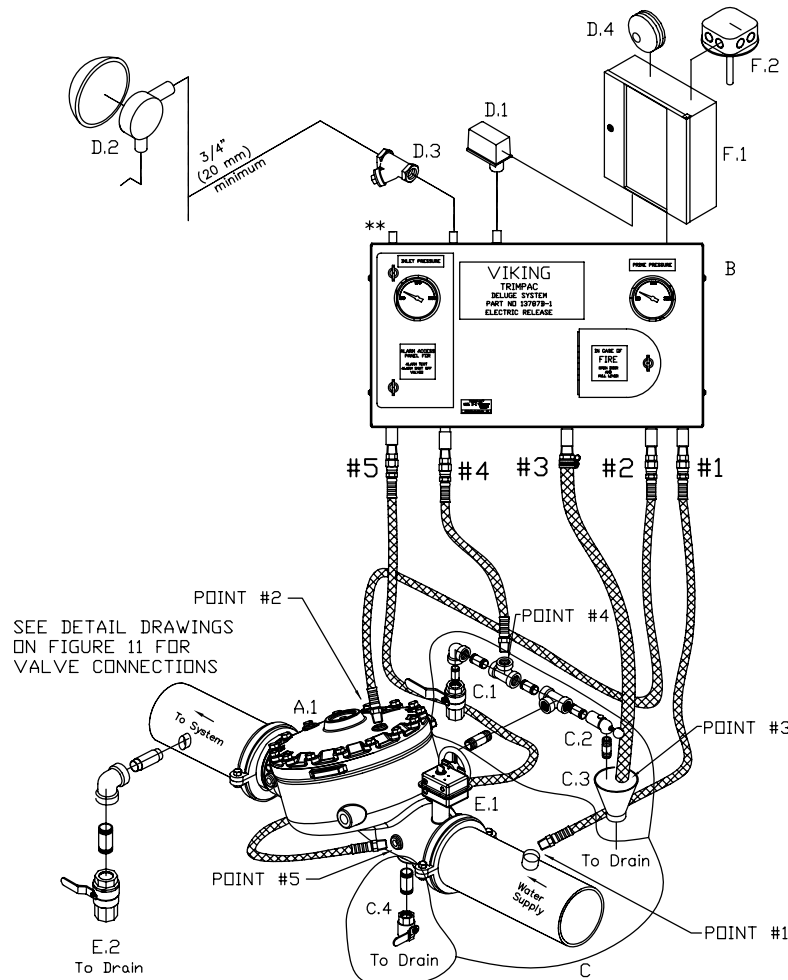


TECHNICAL DATA

**TRIMPAC® MODELS B-1 & B-1B
DELUGE SYSTEM
WITH ELECTRIC RELEASE**

The Viking Corporation, 210 N Industrial Park Drive, Hastings MI 49058

Telephone: 269-945-9501 Technical Services: 877-384-5464 Fax: 269-818-1680 Email: techsvcs@vikingcorp.com



**DELUGE SYSTEM
WITH ELECTRIC RELEASE**

- A System Valve
 - A.1 Deluge Valve
- B Trimpac
 - Trimpac Components (See Figure 12)
- C Trimpac Drain Package
 - C.1 Auxiliary Drain Valve (NC)
 - C.2 Drip Check Valve
 - C.3 Drain Cup
 - C.4 Flow Test Valve (NC)
- D Water Flow Alarm Equipment
 - D.1 Alarm Pressure Switch
 - D.2 Water Motor Alarm (F-2) (Optional)
 - D.3 Strainer
 - D.4 Electric Alarm Bell
- E Riser
 - E.1 Water Supply Control Valve
 - E.2 System Drain
- F Release System
 - F.1 Par-3 or VFR400 Release Control Panel
(VFR400 Panel available 1st qtr. 2008)
 - F.2 Electric Detection System
(Heat Detector shown for clarity)

**Figure 9
Deluge System with Electric Release
2-1/2" - 6" Straight Through Horizontal Valve**

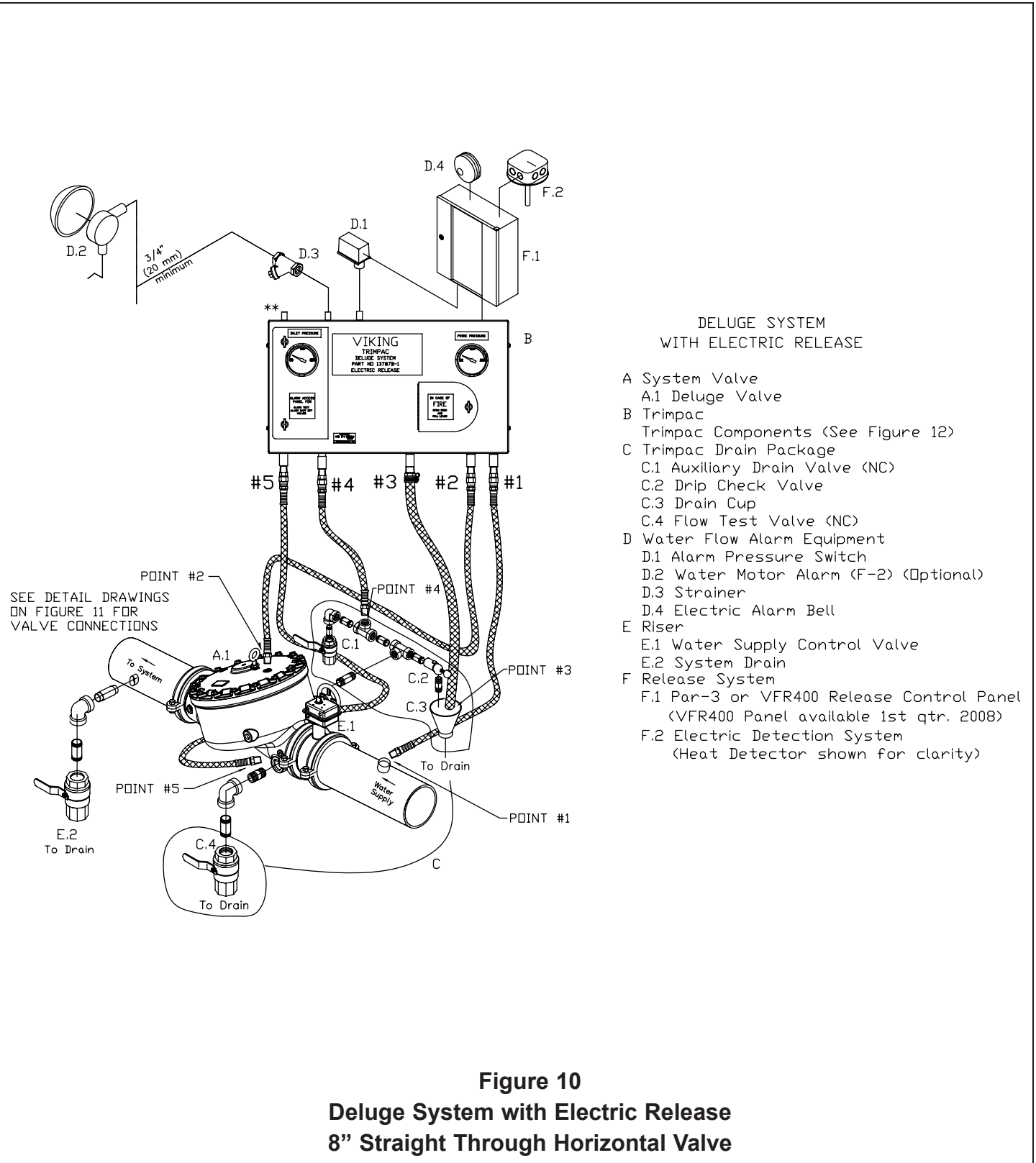


TECHNICAL DATA

**TRIMPAC® MODELS B-1 & B-1B
DELUGE SYSTEM
WITH ELECTRIC RELEASE**

The Viking Corporation, 210 N Industrial Park Drive, Hastings MI 49058

Telephone: 269-945-9501 Technical Services: 877-384-5464 Fax: 269-818-1680 Email: techsvcs@vikingcorp.com





TECHNICAL DATA

**TRIMPAC® MODELS B-1 & B-1B
DELUGE SYSTEM
WITH ELECTRIC RELEASE**

The Viking Corporation, 210 N Industrial Park Drive, Hastings MI 49058

Telephone: 269-945-9501 Technical Services: 877-384-5464 Fax: 269-818-1680 Email: techsvcs@vikingcorp.com

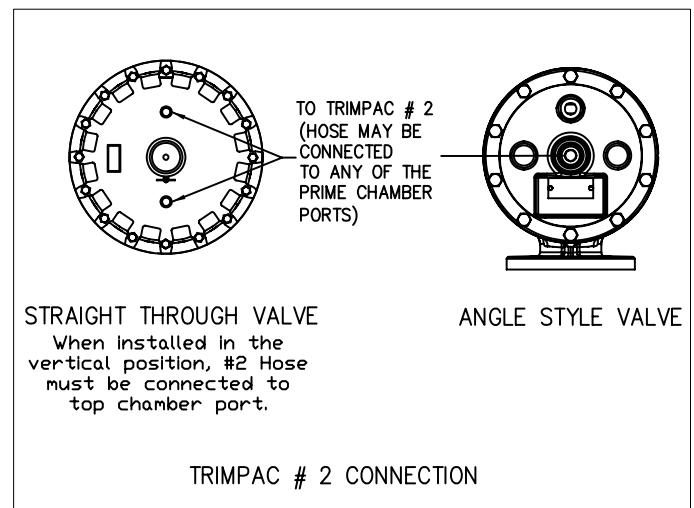
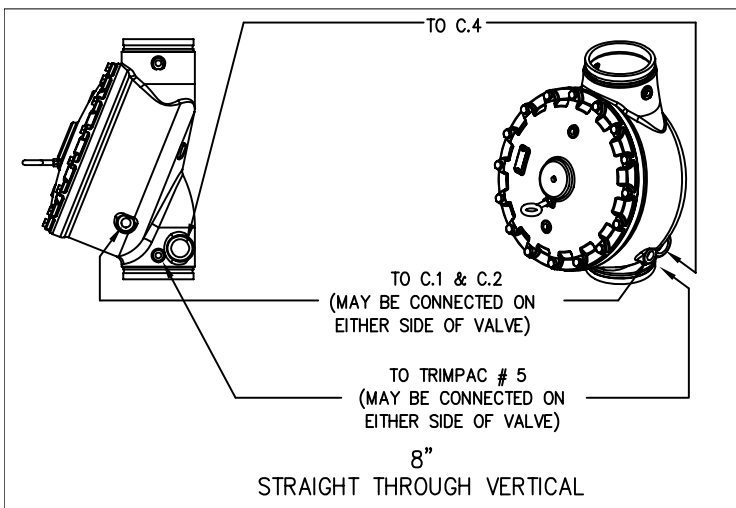
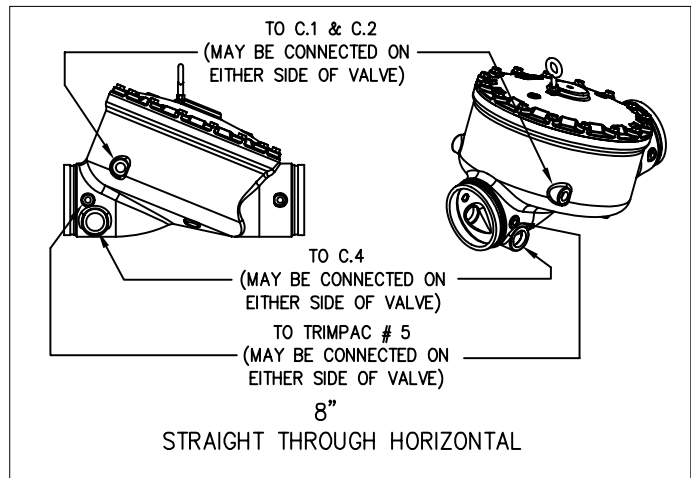
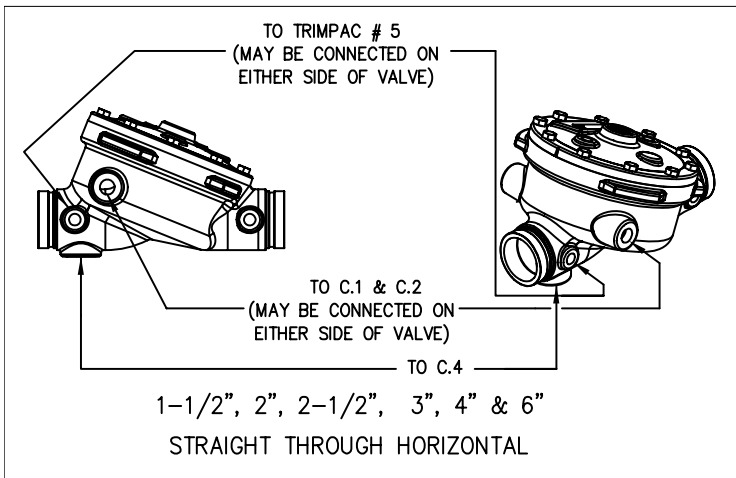
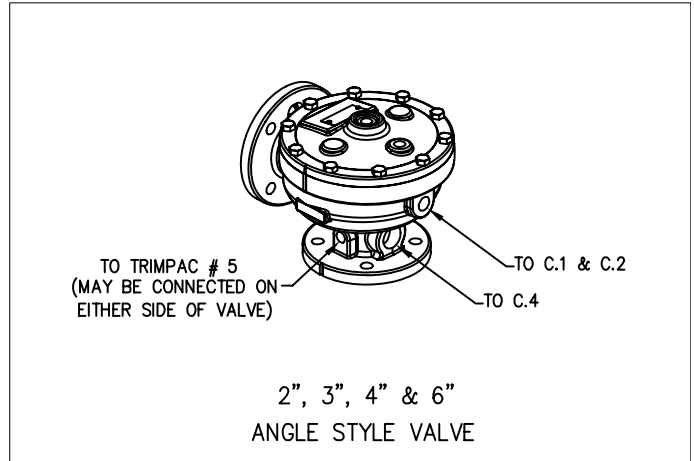
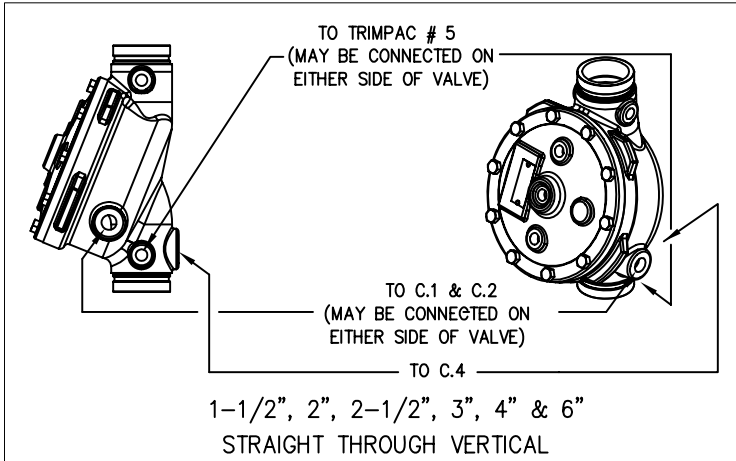


Figure 11 - Valve Connections



TECHNICAL DATA

TRIMPAC® MODELS B-1 & B-1B DELUGE SYSTEM WITH ELECTRIC RELEASE

The Viking Corporation, 210 N Industrial Park Drive, Hastings MI 49058

Telephone: 269-945-9501 Technical Services: 877-384-5464 Fax: 269-818-1680 Email: techsvcs@vikingcorp.com

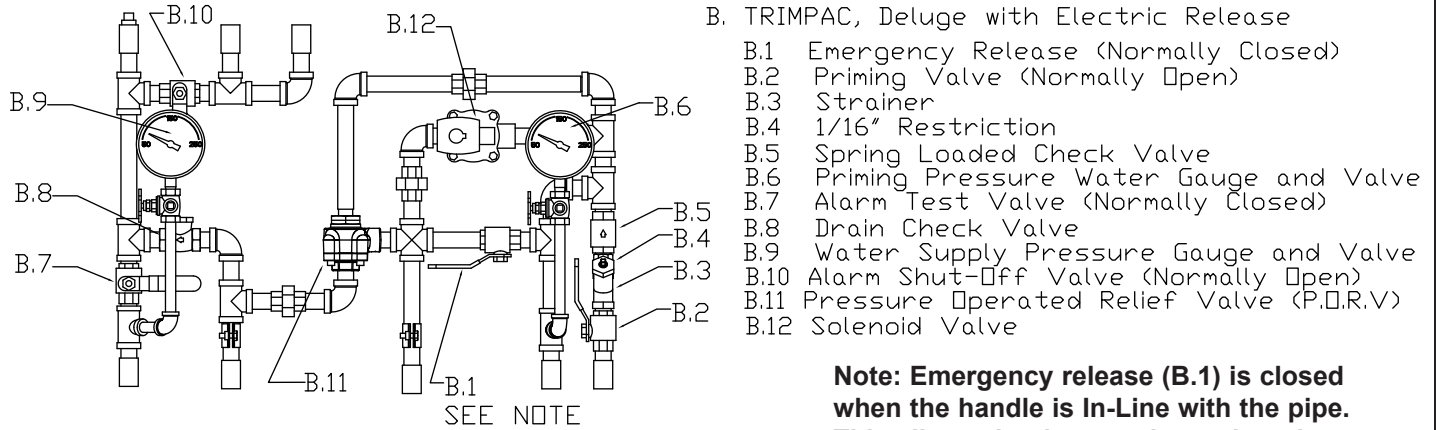
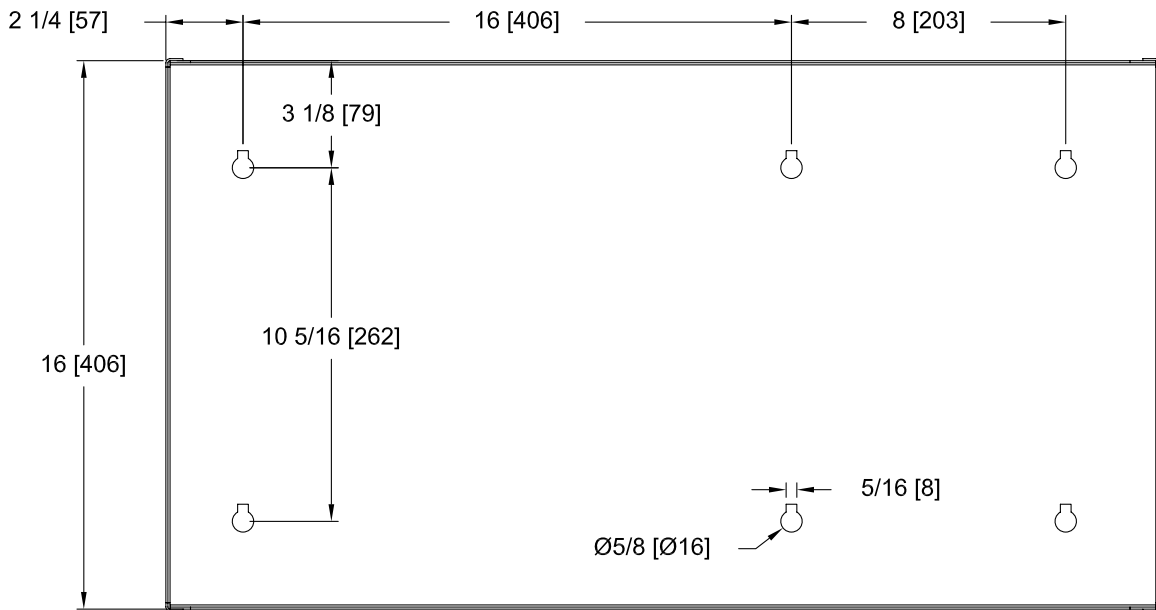


Figure 12 - Trimpac Components (Items B.1 - B.12)



Wall Mounting Notes:

1. Mounting Fasteners are supplied by the contractor.
2. Recommended Fasteners - Minimum 1/4" x 1-1/2 Lg. Hex Head lag screws with washers.
3. When installing into concrete, drywall or metal, use typical grommet.
4. Approximate weight of TRIMPAC® Model B-1 and Flexible Hoses: 34 lbs. (15.4 kg)

**Figure 13
Mounting Dimensions**



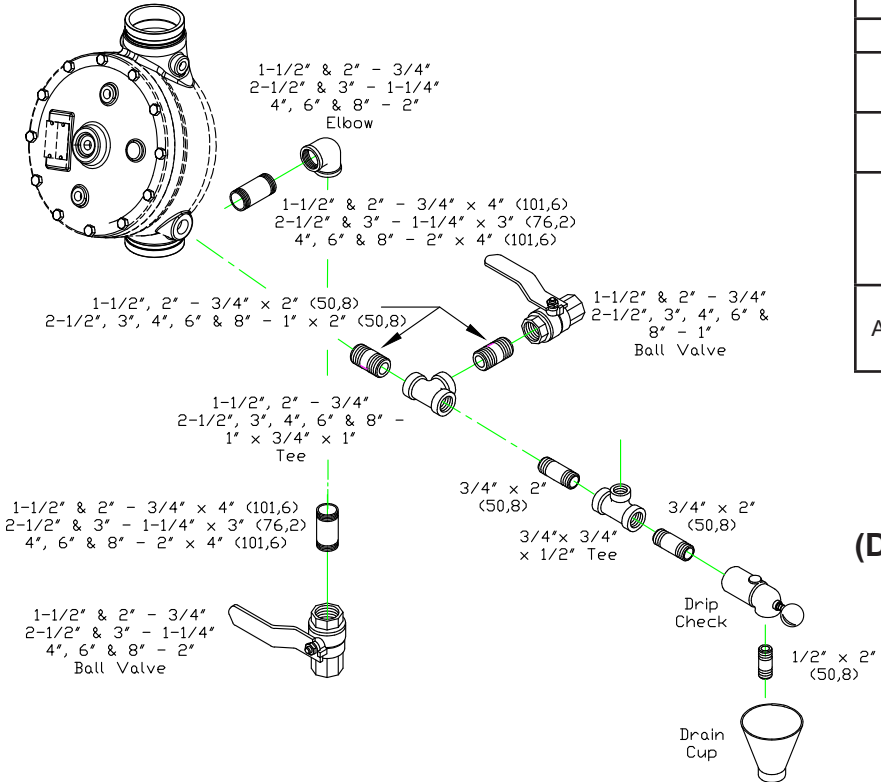
TECHNICAL DATA

**TRIMPAC® MODELS B-1 & B-1B
DELUGE SYSTEM
WITH ELECTRIC RELEASE**

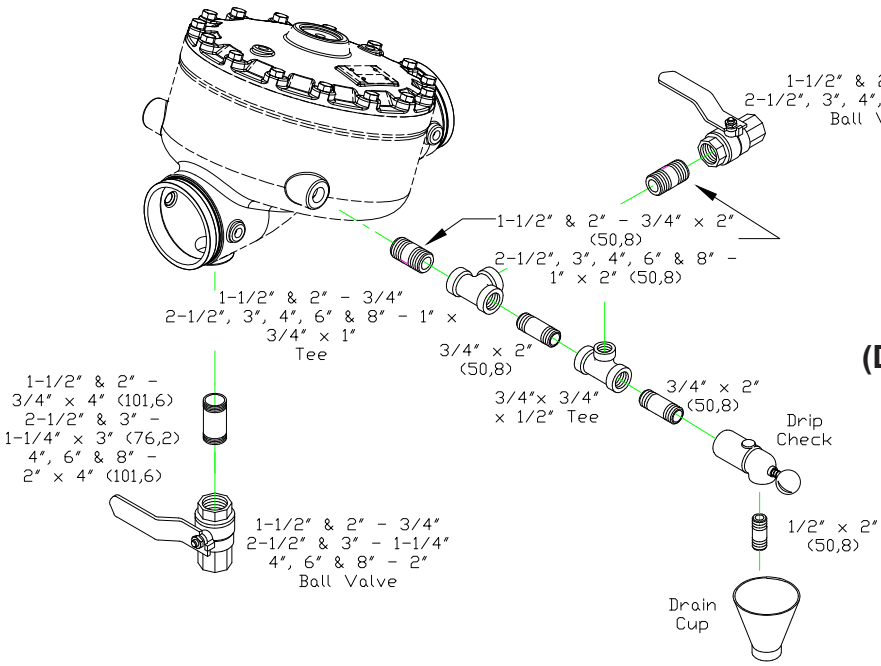
The Viking Corporation, 210 N Industrial Park Drive, Hastings MI 49058

Telephone: 269-945-9501 Technical Services: 877-384-5464 Fax: 269-818-1680 Email: techsvcs@vikingcorp.com

TRIMPAC® DRAIN PACKAGE PART NUMBERS			
Valve	Size	Galvanized	Brass
Straight	1-1/2" (DN40)	11894-2	11894-6
Straight	2" (DN50)	11894-2	11894-6
Straight	2-1/2" (DN65) 3" (DN76)	11894-3	11894-7
Angle & Straight	4" (DN100), 6" (DN150), & 8" (DN200)	11894-4	11894-8



**1-1/2" 2", 2-1/2", 3", 4", & 6"
(DN40, DN50, DN80, DN100, & DN150)
Straight Through Vertical Valve
Drain Package Trim Chart**



**1-1/2" 2", 2-1/2", 3", 4", & 6"
(DN40, DN50, DN80, DN100, & DN150)
Straight Through Horizontal Valve
Drain Package Trim Chart**

Figure 15



TECHNICAL DATA

TRIMPAC® MODELS B-1 & B-1B DELUGE SYSTEM WITH ELECTRIC RELEASE

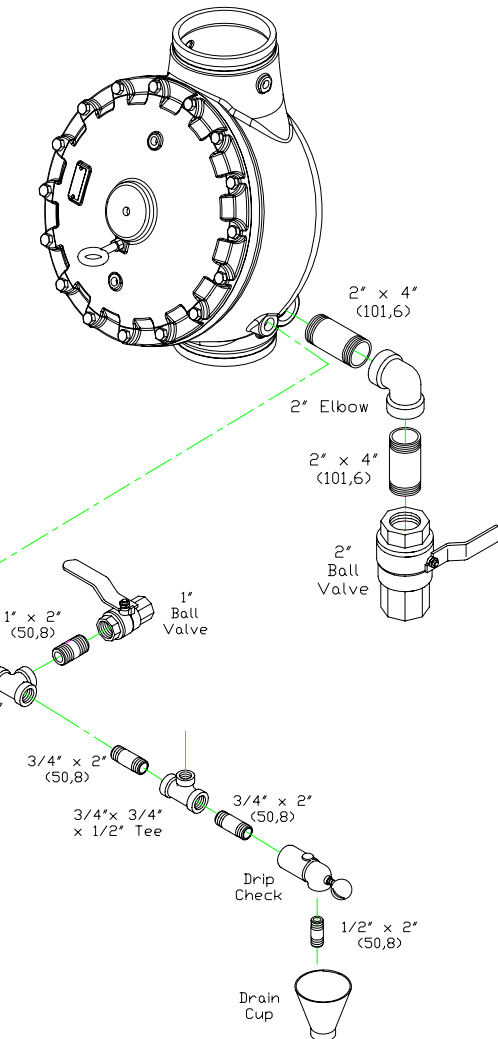
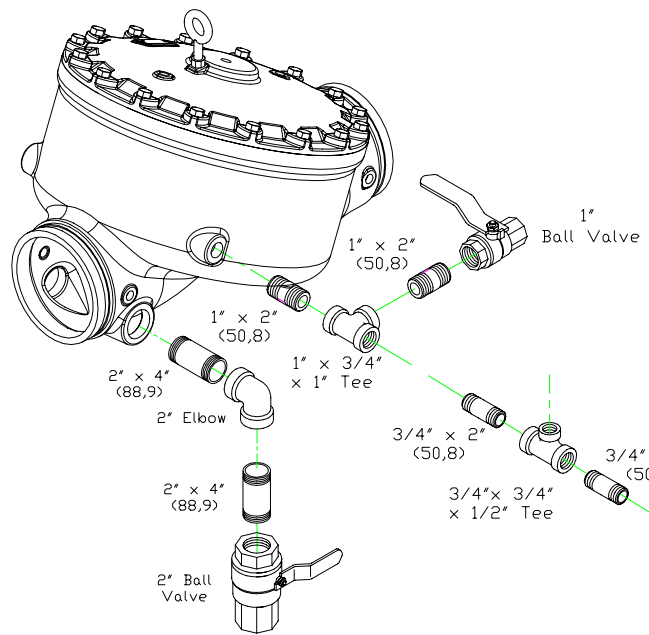
The Viking Corporation, 210 N Industrial Park Drive, Hastings MI 49058

Telephone: 269-945-9501 Technical Services: 877-384-5464 Fax: 269-818-1680 Email: techsvcs@vikingcorp.com

TRIMPAC® DRAIN PACKAGE PART NUMBERS

Valve	Size	Galvanized	Brass
Straight	8" (DN200)	11894-4	11894-8

8" (DN200) Straight Through Vertical Valve Drain Package Trim Chart



8" (DN200) Straight Through Horizontal Valve Drain Package Trim Chart

Figure 16

THIS PAGE
INTENTIONALLY
LEFT BLANK