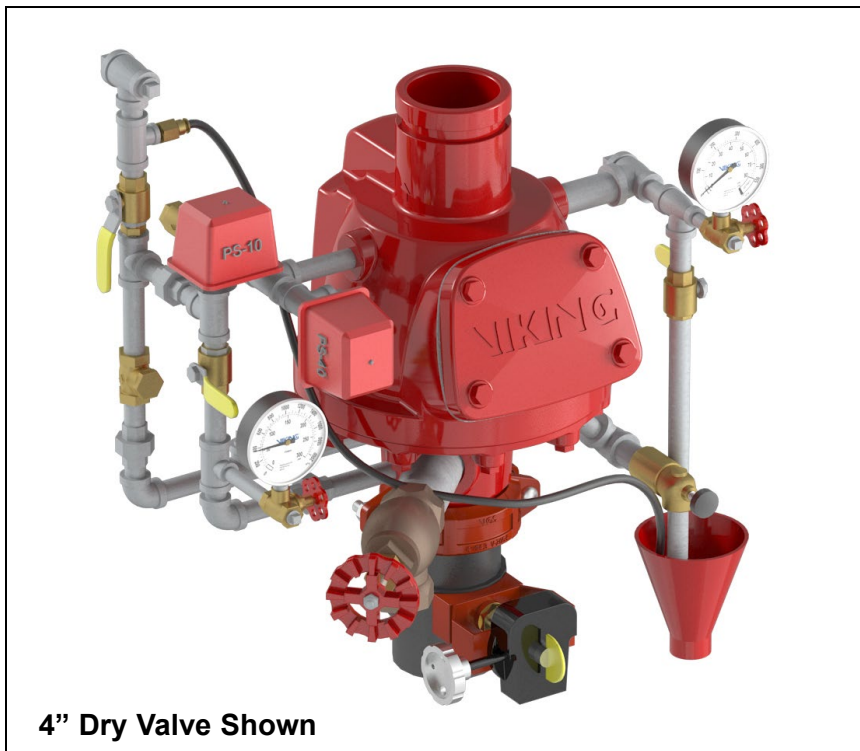




# TECHNICAL DATA

## MODEL F2 DRY VALVE (PRETRIMMED)

The Viking Corporation, 210 N Industrial Park Drive, Hastings MI 49058  
 Telephone: 269-945-9501 Technical Services: 877-384-5464 Fax: 269-818-1680 Email: techsvcs@vikingcorp.com  
 Visit the Viking website for the latest edition of this technical data page.



4" Dry Valve Shown

### Model F Dry Valve with Trim

Valve Size	Part Number
3"	13764PTR
4"	13765PTR
6"	13766PTR

Standard Trim Sets include galvanized nipples and fittings.

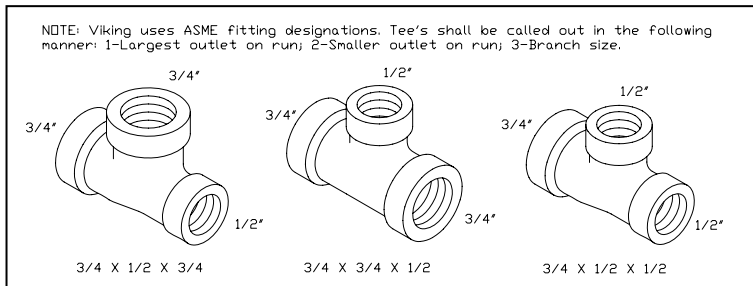


**WARNING:** Cancer and Reproductive Harm-  
[www.P65Warnings.ca.gov](http://www.P65Warnings.ca.gov)

### Notes: For use with Trim Charts on Pages 2-4

#### General Notes:

- Valve must be trimmed as shown. Any deviation from trim size or arrangement may affect the proper operation of the valve.
- All pipe, 3/4" (20 mm) and smaller, shall be galvanized steel except when other materials are specified in the Technical Data for the system used.
- Dimensions in parentheses are millimeter and may be approximations.
- Viking uses ASME fitting designations. Tees shall be called out in the following order: 1 - Largest outlet on run; 2 - Smaller outlet on run; 3 - Branch size.



**Note 1:** Water flow alarm connections: 3/4" (20 mm) NPT for Water Motor Alarm (strainer required) and 1/2" (15 mm) NPT for electric Alarm Pressure Switch to activate electric alarm bells.

**Note 2:** 1" (25 mm) NPT connection for sprinkler.

**Note 3:** Locate listed Air Maintenance Device (order separately) as close to this connection as possible. Refer to installation standards. Recommended location for connection of optional Air Maintenance Compressor.

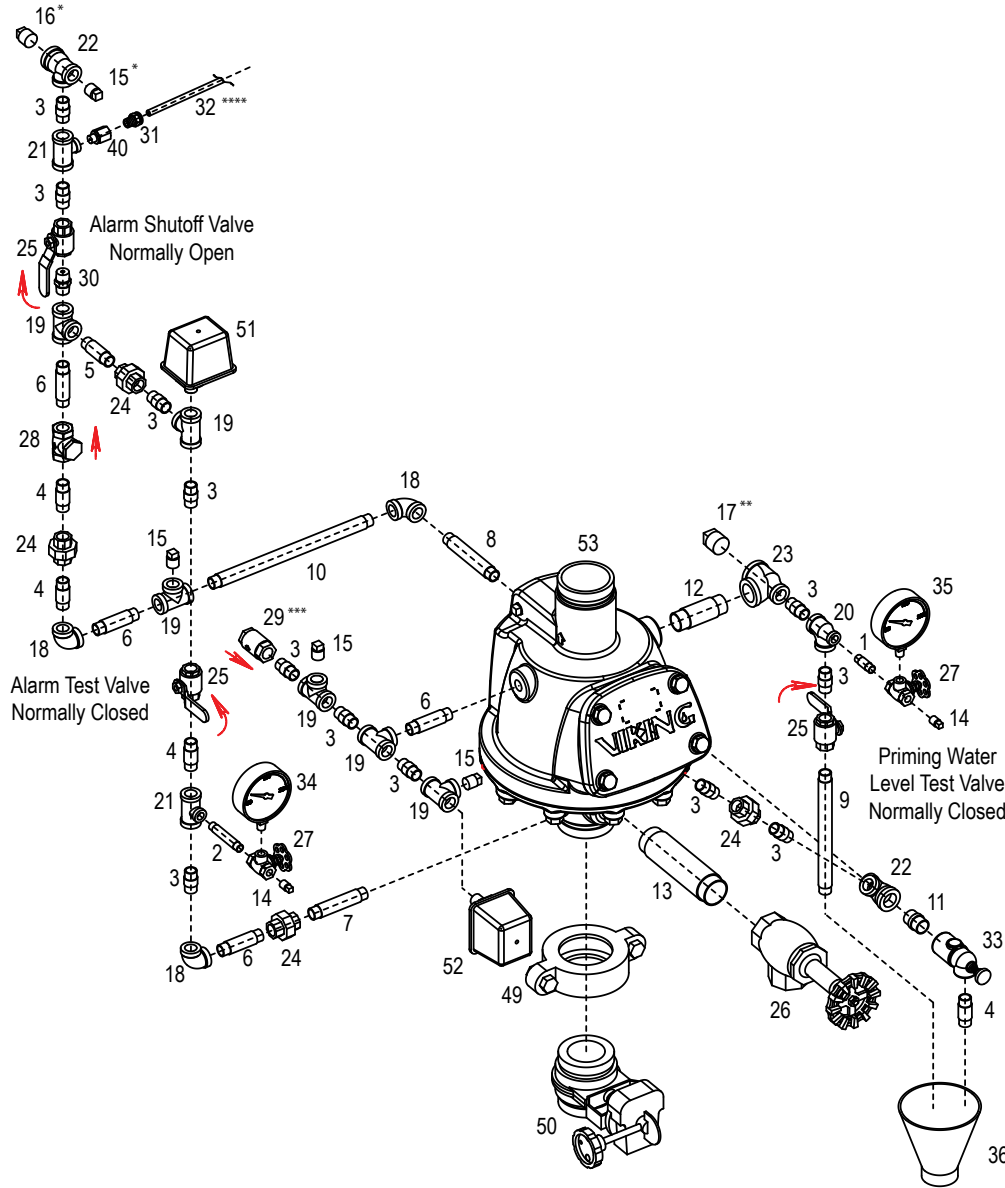
**Note 4:** Tube must discharge TO OPEN DRAIN. DO NOT crimp or plug tube. Secure tube to 1/2" x 9" nipple below priming water level test valve with cable tie included in trim kit.



# TECHNICAL DATA

## MODEL F2 DRY VALVE (PRETRIMMED)

The Viking Corporation, 210 N Industrial Park Drive, Hastings MI 49058  
 Telephone: 269-945-9501 Technical Services: 877-384-5464 Fax: 269-818-1680 Email: techsvcs@vikingcorp.com  
 Visit the Viking website for the latest edition of this technical data page.



Ref.	Description
1	1/4" x 1-1/2" (38 mm)
2	1/4" x 3" (76 mm)
3	1/2" x 1-1/2" (38 mm)
4	1/2" x 2" (51 mm)
5	1/2" x 2-1/2" (64 mm)
6	1/2" x 3" (76 mm)
7	1/2" x 4" (102 mm)
8	1/2" x 5" (127 mm)
9	1/2" x 9" (229 mm)
10	1/2" x 12" (305 mm)
11	3/4" x CL
12	1" x 3-1/2" (89 mm)
13	1-1/2" x 7" (178 mm)
14	1/4" Plug
15	1/2" Plug
16	3/4" Plug
17	1" Plug
18	1/2" Elbow
19	1/2" x 1/2" x 1/2" Tee
20	1/2" x 1/4" x 1/2" Tee
21	1/2" x 1/2" x 1/4" Tee
22	3/4" x 1/2" x 1/2" Tee
23	1" x 1/2" x 1" Tee
24	1/2" Union
25	1/2" Ball Valve
26	1-1/2" Angle Valve
27	Side Outlet Valve
28	Check Valve
29	Spring Loaded Check Valve
30	7/32" Restricted Orifice
31	3/8" Connection
32	3/8" Polyethylene Tube
33	Drip Check
34	Water Gauge
35	Air Gauge
36	Drain Cup
40	1/16" Restricted Orifice
49	Grooved Coupling
50	Butterfly Valve
51	Pressure Switch
52	Pressure Switch
53	F2 Dry Pipe Valve 3"

\* See Note 1  
 \*\* See Note 2  
 \*\*\* See Note 3  
 \*\*\*\* See Note 4

Figure 1: 3" Model F2 Dry Valve Trim Chart



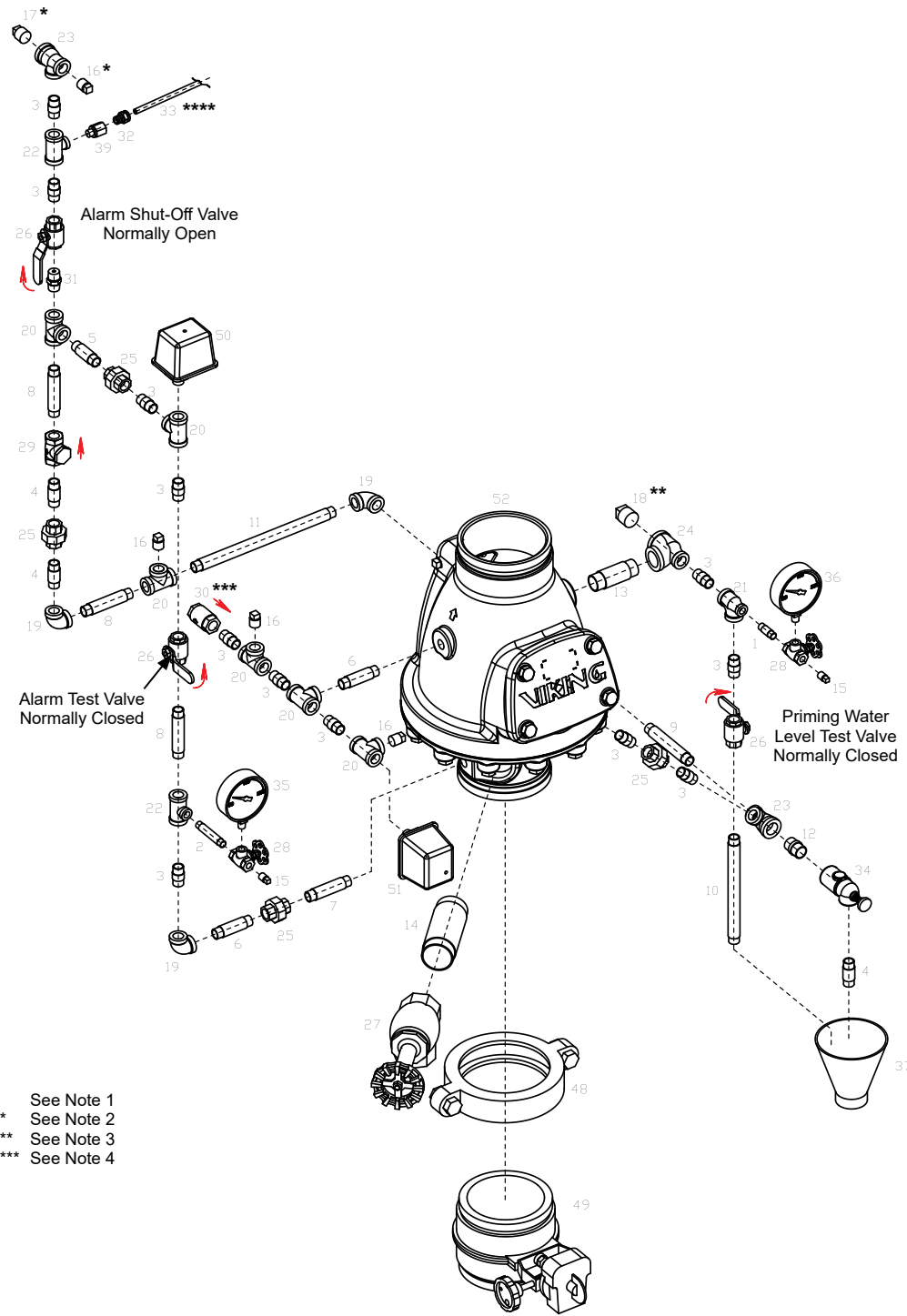


# TECHNICAL DATA

## MODEL F2 DRY VALVE (PRETRIMMED)

The Viking Corporation, 210 N Industrial Park Drive, Hastings MI 49058  
 Telephone: 269-945-9501 Technical Services: 877-384-5464 Fax: 269-818-1680 Email: techsvcs@vikingcorp.com  
 Visit the Viking website for the latest edition of this technical data page.

Ref.	Description
1	1/4" x 1-1/2" (38 mm)
2	1/4" x 3" (76 mm)
3	1/2" x 1-1/2" (38 mm)
4	1/2" x 2" (51 mm)
5	1/2" x 2-1/2" (64 mm)
6	1/2" x 3" (76 mm)
7	1/2" x 3-1/2" (89 mm)
8	1/2" x 4" (102 mm)
9	1/2" x 5" (127 mm)
10	1/2" x 9" (229 mm)
11	1/2" x 12" (305 mm)
12	3/4" x CL
13	1" x 3-1/2" (89 mm)
14	2" x 6" (152 mm)
15	1/4" Plug
16	1/2" Plug
17	3/4" Plug
18	1" Plug
19	1/2" Elbow
20	1/2" x 1/2" x 1/2" Tee
21	1/2" x 1/4" x 1/2" Tee
22	1/2" x 1/2" x 1/4" Tee
23	3/4" x 1/2" x 1/2" Tee
24	1" x 1/2" x 1" Tee
25	1/2" Union
26	1/2" Ball Valve
27	2" Angle Valve
28	Side Outlet Valve
29	Check Valve
30	Spring Loaded Check Valve
31	7/32" Restricted Orifice
32	3/8" Connection
33	3/8" Polyethylene Tube
34	Drip Check
35	Water Gauge
36	Air Gauge
37	Drain Cup
39	1/16" Restricted Orifice
48	Grooved Coupling
49	Butterfly Valve
50	Pressure Switch
51	Pressure Switch
52	F2 Dry Pipe Valve 6"



- \* See Note 1
- \*\* See Note 2
- \*\*\* See Note 3
- \*\*\*\* See Note 4

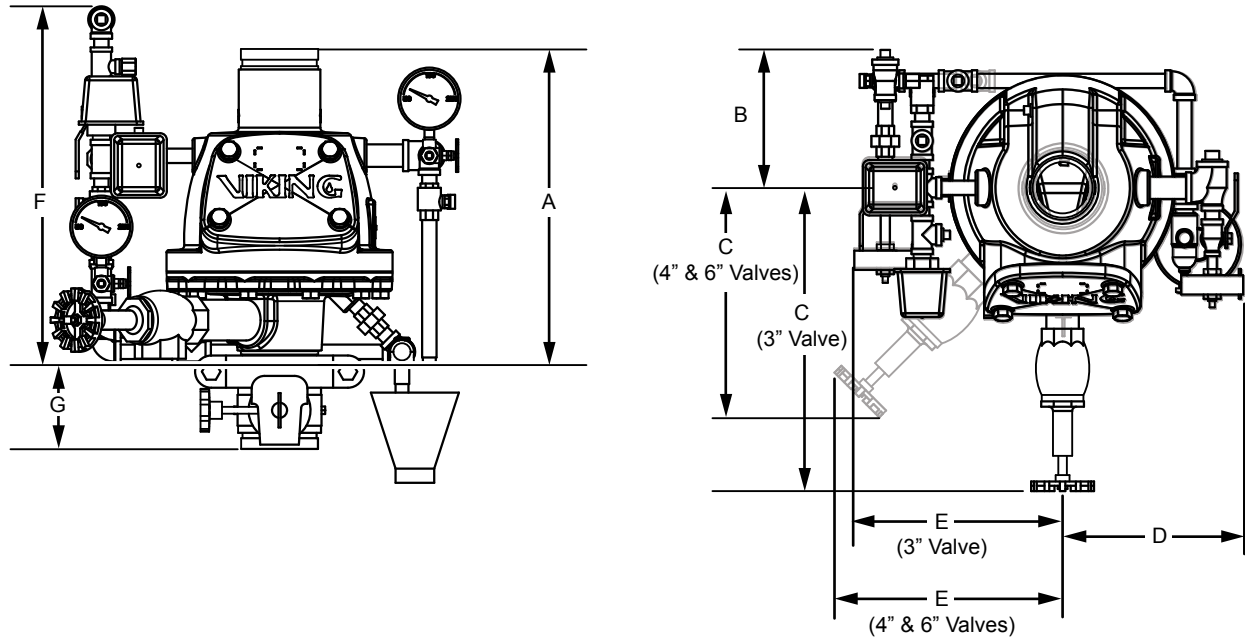
Figure 3: 6" Model F2 Dry Valve Trim Chart



# TECHNICAL DATA

## MODEL F2 DRY VALVE (PRETRIMMED)

The Viking Corporation, 210 N Industrial Park Drive, Hastings MI 49058  
 Telephone: 269-945-9501 Technical Services: 877-384-5464 Fax: 269-818-1680 Email: techsvcs@vikingcorp.com  
 Visit the Viking website for the latest edition of this technical data page.



Valve Size	A	B	C	D	E	F	G
3"	18-3/8" (467)	8-1/16" (205)	17-3/4" (451)	10-9/16" (268)	12-3/16" (309)	19-7/8" (506)	3-15/16" (100)
4"	18-7/16" (469)	7-7/8" (200)	13-1/2" (343)	10-1/2" (267)	13-5/16" (338)	20-15/16" (532)	4-13/16" (123)
6"	19-1/4" (488)	7-7/8" (200)	13-1/2" (343)	10-15/16" (278)	13-5/16" (338)	20-9/16" (523)	6-1/2" (166)

**Figure 4 - Dry Valve with Conventional Trim with No Accelerator**