

UL Listed, CSFM and FM Approved*

Non-Coded Manual Stations
2099 Series Single and Double Action Operation

FEATURES

- **Single action models**
- **Double action models available as:**
 - Breakglass
 - Push Type
- **Institutional model**
 - Key operated only
- **Pull lever protrudes when alarmed**
- **Tamper resistant reset key lock:**
 - Keyed same as fire alarm cabinet
- **Pre-signal and annunciator contact options**
- **Local alarm cover option**
- **Surface, flush, or semi-flush mounting**
- **Complies with ADA requirements**

OPERATION

Single Action Stations require a firm downward pull to activate the alarm switch. Completing the action breaks an internal plastic break-rod (visible below the pull lever). The pull lever latches into the alarm position and remains extended out of the cover to provide a visible indication of which station was alarmed.

Double Action Stations (Breakglass) require the operator to strike the front mounted hammer to break the glass and expose the recessed pull lever. The pull lever then operates as a single action station.

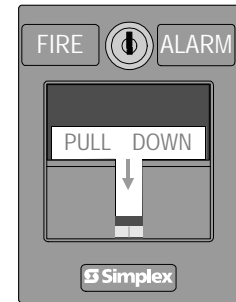
Double Action Stations (Push Type) require that a spring loaded interference plate (marked PUSH) be pushed back to access the pull lever of the single action station.

Institutional Stations are designed to activate by key operation only. This allows access for manual alarms to be initiated by authorized personnel. Operation requires key insertion and opening of the station cover.

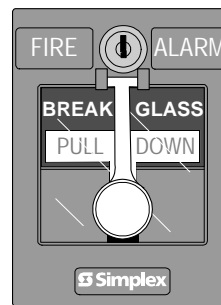
Pre-Signal Option activates when the lever is pulled. General alarm initiation requires a key to activate a keyswitch located behind the pull lever.

Station Reset requires the use of a key to reset the manual station lever and deactivate the alarm switch. If the break-rod is used, it must be replaced.

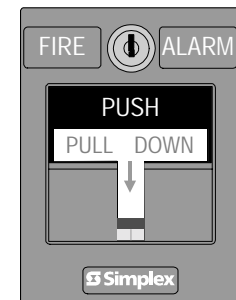
Testing requires physical activation of the pull lever (except for institutional stations).



Single Action Station



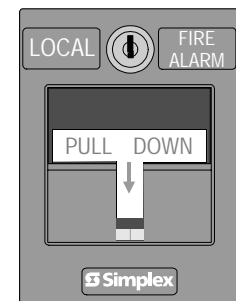
Double Action Station (Breakglass)



Double Action Station (Push Type)



Single Action Station With Institutional Cover



Local Fire Alarm Cover Option

* These products have been approved by the California State Fire Marshal (CSFM) pursuant to Section 13144.1 of the California Health and Safety Code. See CSFM Listing 7150-0026:175 for allowable values and/or conditions concerning material presented in this document. It is subject to re-examination, revision, and possible cancellation. Additional listings may be applicable, contact Simplex for the latest status. Refer to data sheet S2099-0009 for stations specifically intended for use in New York City. ULC listed stations are documented separately, contact Simplex for assistance.

APPLICATIONS

Refer to NFPA 72, the *National Fire Alarm Code*, (reference section 5-9), and all applicable local codes for complete requirements for manual stations. The following summarizes the basic requirements.

Stations shall be located in the normal path of exit and distributed in the protected area such that they are unobstructed and readily accessible.

Mounting shall be with the operable part not less than 3 1/2 ft (1.1 m) and not more than 4 1/2 ft (1.37 m) above floor level.

At least one station shall be provided on each floor. Additional stations shall be provided to obtain a travel

distance not more than 200 ft (61 m) to the nearest station from any point in the building. When manual station coverage appears limited in any way, additional stations should be installed.

Construction. Covers and pull levers are constructed of chip resistant and dirt resistant, high impact Lexan polycarbonate. Covers are red with white lettering and pull levers are white with red lettering.

ENVIRONMENTAL SPECIFICATIONS

Temperature Range	32° to 140° F (0° to 60° C)
Humidity Range	up to 90% RH at 90° F (32° C)

NON-ADDRESSABLE MANUAL STATION FEATURE SELECTION CHART

(see note 3 for addressable station reference)

Single Action Models (General Alarm)	Pre-Signal	Annunciator Contacts N.O.	Annunciator Contacts N.C.	"Local" Alarm Cover	Institutional Cover	Mounting Notes
2099-9754						1
2099-9101		✓				2
2099-9102			✓			
2099-9107	✓	✓				
2099-9755				✓		1
2099-9762					✓	1

Double Action Models (General Alarm)	"Break-Glass"	"Push"	Pre-Signal	Annunciator Contacts N.O.	Annunciator Contacts N.C.	Mounting Notes
2099-9103	✓					1
2099-9104	✓			✓		2
2099-9105	✓				✓	
2099-9108	✓		✓	✓		
2099-9756		✓				1
2099-9757		✓		✓		2
2099-9758		✓			✓	
2099-9759		✓	✓	✓		

ACCESSORIES

Model	Description
2099-9803	Replacement breakglass (standard, English)
2099-9804	Replacement break-rod
2099-9819	Flush adapter kit, black (refer to page 4)
2099-9820	Flush adapter kit, beige (refer to page 4)
2099-9822	Replacement retaining clip for breakglass
2099-9828	Institutional cover kit
2975-9178	Red, surface mount box, sheet metal, 5 3/16" H x 4" W x 2 3/16" D (127 mm x 102 mm x 56 mm)
2975-9022	Red, cast aluminum surface mount box, 5" H x 3 7/8" W x 2 3/16" D (127 mm x 98 mm x 56 mm)

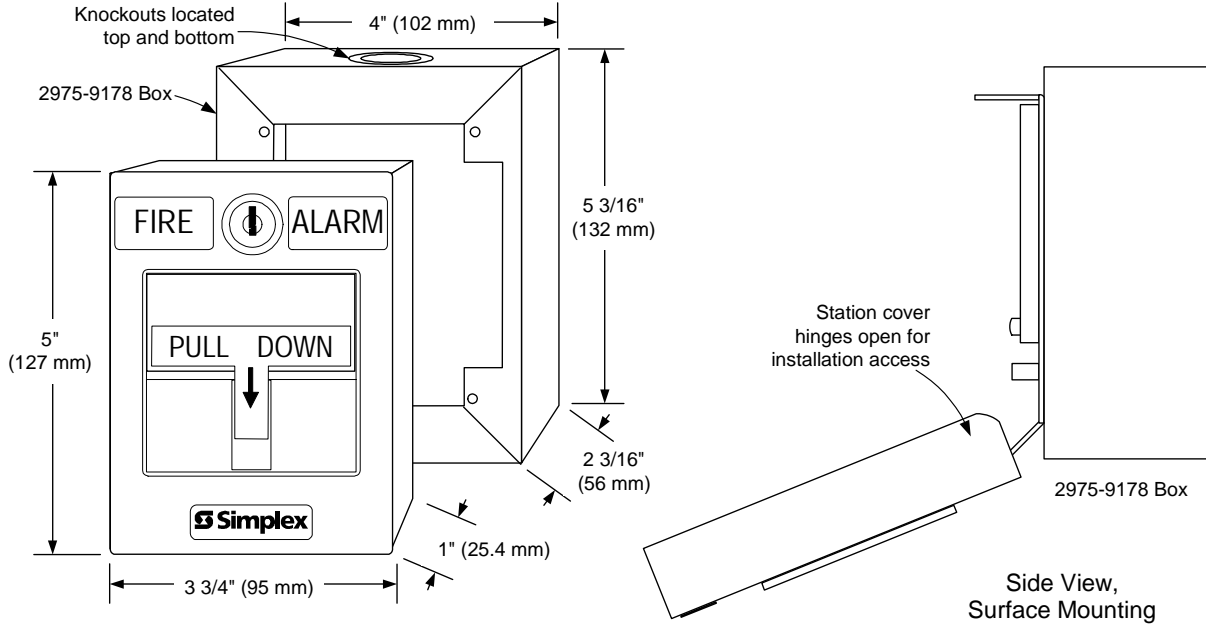
NOTES:

1. These models can be semi-flush mounted using a standard single gang 2 1/2" (64 mm) deep switch box. DO NOT RECESS BOX, mount box flush or with 1/16" (2 mm) maximum protrusion. These models can also be surface mounted on a Wiremold box model number V5744S, 4 5/8" H x 2 7/8" W x 2 1/4" D (117 mm x 73 mm x 57 mm).
2. For surface mount, these models require 2975-9178 or 2099-9022 boxes. For semi-flush mount, these models require a 4" (102 mm) square box with a single gang cover plate (see diagram on page 3).
3. For information on **Simplex addressable manual stations**, refer to data sheet S2190-0012 for MAPNET II addressable stations and data sheet S4099-0001 for IDNet™ addressable stations.

MOUNTING INFORMATION

Refer to installation instructions 574-656 (PER-21-502) for additional information.

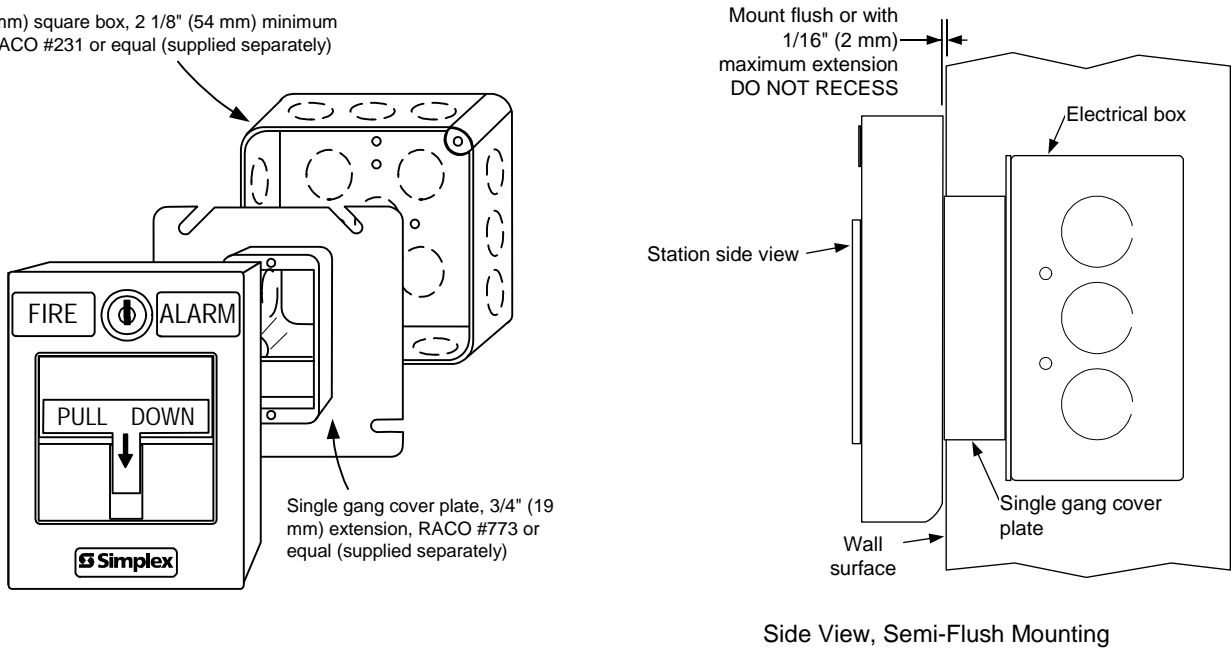
SURFACE MOUNTING



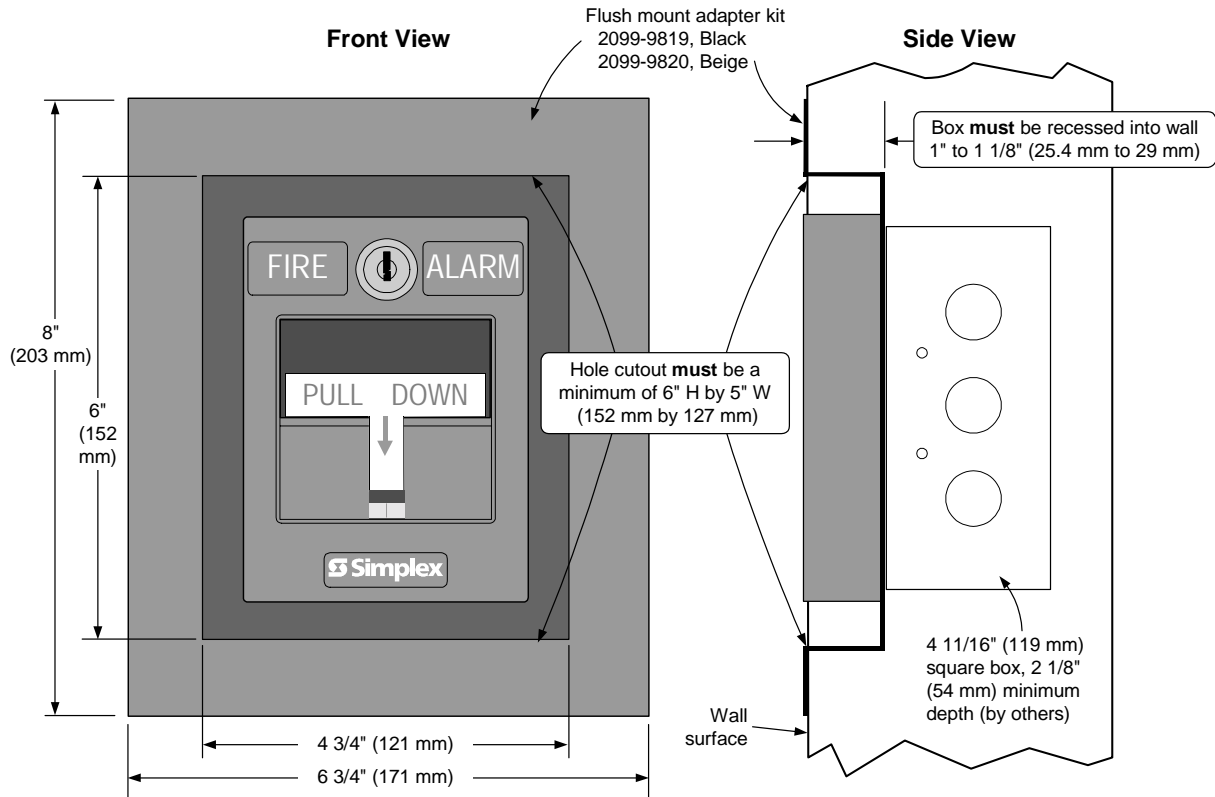
SEMI-FLUSH MOUNTING, 4" BOX

(refer to selection chart for requirements)

4" (102 mm) square box, 2 1/8" (54 mm) minimum depth RACO #231 or equal (supplied separately)



FLUSH MOUNTING REFERENCE INFORMATION



Simplex, the Simplex logo, MAPNET, and IDNet are either trademarks or registered trademarks of Simplex Time Recorder Co. in the U.S. and/or other countries. NFPA 72 and National Fire Alarm Code are registered trademarks of the National Fire Protection Association (NFPA). Lexan is a registered trademark of General Electric Co.

S2099-0007-14 6/00



Westminster, Massachusetts 01441-0001 U. S. A.
Offices and Representatives Throughout the World
Visit us on the world wide web at www.simplexnet.com

All specifications and other information shown were current as of printing and are subject to change without notice.