

### Features

#### Remote LED status annunciation with available remote panel input switch control:

- Compatible with Simplex® 4005, 4007ES, 4010ES, 4100ES, and 4100U series fire alarm control panels
- Also compatible with Simplex legacy panel model series 4002, 4020, 4100, 4120, and Universal Transponders (UT)
- Supervised RUI (remote unit interface) communications require a single, twisted, shielded wire pair to the fire alarm control panel (power is supplied via a second wire pair)
- Red zone status LEDs are provided with preprinted zone numbers or can be individually labeled as desired
- LEDs are pluggable for color changing or replacement; on-board internal pushbutton switch provides LED test
- Surface or flush-mount on standard electrical boxes
- UL listed to Standard 864

#### Available as single units or can be ordered modular for up to 4 units in a common cabinet:

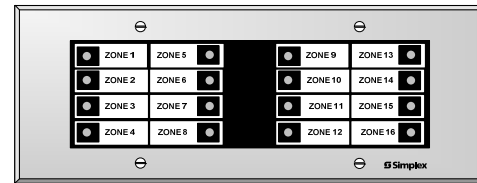
- **4602-9101, Status Command Unit (SCU)** provides 16 red LED zone status indicators
- **4602-9102, Remote Command Unit (RCU)** provides 8 red LED zone status indicators; local power (green) and trouble (yellow) LEDs; local tone-alert; and switches for Trouble Silence, Alarm Silence, System Reset, and Manual Evacuation (EVAC)
- **4602-8001 Series** panels provide selection of a remote cabinet that can mount one RCU and up to three SCUs; options include beige or stainless steel flush mount doors
- **Graphic I/O Board Assemblies** are available separately for use with listed custom graphic annunciator panels; available stand-alone (4602-9150), or plate mounted (4602-7101); selectable as SCU or RCU; terminal blocks are provided for LED, switch, and LED test feature connections

### Description

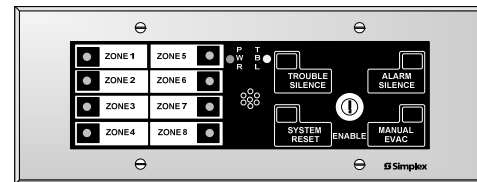
**Status Command Units (SCU)** provide 16 red zone status LEDs. Multiples may be mounted together for additional zone coverage.

**Remote Command Units (RCU)** provide 8 red zone status LEDs, and control switches duplicating the switch functions of the host Fire Alarm Control Panel. A keyswitch enables the control switches. A green LED indicates power is present and a yellow LED indicates trouble.

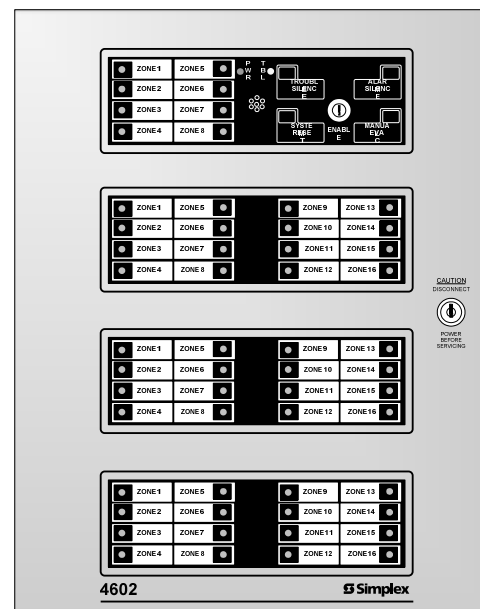
**Zone identification** (i.e., Zone 1, Zone 2) is provided on “slip-in” labels. Detailed local zone information may be typed on the blank reverse side (i.e., East Wing, First Floor, etc.) of the label. Pushbutton LED test switches are located internally for “lamp test” feature. Terminations are via convenient terminal block connections.



4602-9101 Status Command Unit (SCU)



4602-9102 Remote Command Unit (RCU)



4602-8001 Annunciator Package with RCU on top and three SCUs (shown as standard surface mount trim)

\* This product has been approved by the California State Fire Marshal (CSFM) pursuant to Section 13144.1 of the California Health and Safety Code. See CSFM Listing 7120-0026:0156 for allowable values and/or conditions concerning material presented in this document. It is subject to re-examination, revision, and possible cancellation. Accepted for use – City of New York Department of Buildings – MEA35-93E. Additional listings may be applicable; contact your local Simplex product supplier for the latest status. Listings and approvals under Simplex Time Recorder Co. are the property of Tyco Fire Protection Products.

## Product Selection

### Individual LED/Switch Annunciators; Six-Gang box mounting (refer to mounting reference on page 3)

Model	Description	Mounting Reference
4602-9101	Status Command Unit (SCU) with beige trim plate	Trim dimensions = 11 <sup>13</sup> / <sub>16</sub> " W x 4 <sup>1</sup> / <sub>2</sub> " H (114 mm x 300 mm) Mounts on 6-gang box, 1 <sup>1</sup> / <sub>2</sub> " minimum depth (38 mm)
4602-9102	Remote Command Unit (RCU) with beige trim plate	
4602-9111	Brushed stainless steel trim plate option for either 4602-9101 or 4602-9102, includes both slotted and tamper resistant screws	
2975-9206	Surface mount box option for use with 4602-9101 or 4602-9102; painted steel, ivory finish; dimensions = 11 <sup>31</sup> / <sub>32</sub> " W x 4 <sup>5</sup> / <sub>8</sub> " H x 2 <sup>3</sup> / <sub>4</sub> " D (304 mm x 117 mm x 70 mm)	

### Individual Graphic I/O Module; for use with listed custom graphic annunciator panels

Model	Description
4602-9150	Graphic I/O RCU/SCU Board Assembly; operation is switch selectable as either RCU or SCU; dimensions = 5 <sup>1</sup> / <sub>8</sub> " x 7" (130 mm x 178 mm); see illustration reference below

### Plate Mounted Graphic I/O Modules; for use with listed custom graphic annunciator panels

Model	Description
4602-8103	Graphic I/O Mounting Plate for up to four (4), 4602-7101 Graphic I/O RCU/SCU modules; dimensions = 16 <sup>1</sup> / <sub>8</sub> " W x 11 <sup>1</sup> / <sub>8</sub> " H (409 mm x 282 mm)
4602-8902	Select when adding 4602-7101 modules in the field to an existing Graphic I/O annunciator mounting plate
4602-7101	Graphic I/O RCU/SCU module for mounting on 4602-8103 plate (up to four); operation is switch selectable as either RCU or SCU; includes power and control wiring harnesses

### Modular LED/Switch Annunciators; Cabinet Mounted (see mounting reference on page 4 for dimensions)

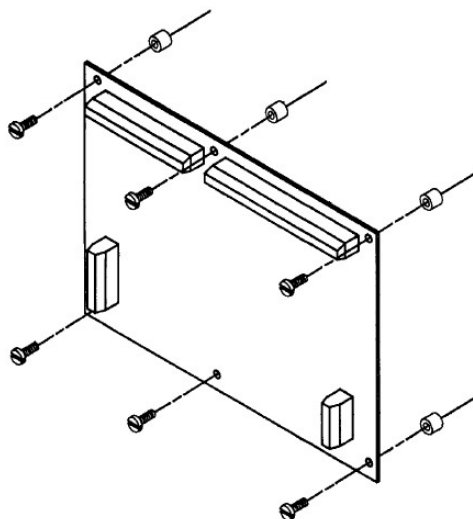
Model	Description	
4602-8001	Basic annunciator panel; includes 2975-9197 beige box and beige surface mount door; has space for up to 4 RCU/SCU modules, ordered separately as listed below	
4602-8901	Select when adding features in the field to an existing 4602 Modular LED/Switch annunciator cabinet	
4602-7001	Remote Command Unit (RCU) module; typically one used per 4602-8001	Up to four modules may be selected for one 4602-8001
4602-6001	Status Command Unit (SCU) module; up to 4 may be selected	
4602-5001	Select when no 4602-7001 or 4602-6001 modules are to be selected; blank filler plates will be provided	
4602-2201	Beige	Flush mount door and trim option; overall dimensions = 16" W x 20" H (406 mm x 508 mm)
4602-2202	Stainless Steel	

### SCU/RCU Options

Model	Description
4602-9110	Eight (8) pluggable Yellow LEDs; for field replacement of standard red LEDs
4602-9112	Zone labels numbered 1 through 64

### 4602-9150 Graphic I/O RCU/SCU Board Only Installation Reference

- Board size is 5 <sup>1</sup>/<sub>8</sub>" x 7" (130 mm x 178 mm).
- Orientation may be vertical or horizontal.
- Mount within the listed custom graphic annunciator enclosure or within a listed steel box close-nipped to the annunciator.
- Required mounting hardware (not supplied):  
6, 6-32 screws, <sup>1</sup>/<sub>2</sub>" (12.7 mm) minimum length; 6 standoffs <sup>3</sup>/<sub>8</sub>" (9.5 mm) minimum length.
- Refer to illustration for details.
- NOTE:** For multiple custom annunciator Graphic I/O applications, use model 4602-7101 for mounting up to four on plate 4602-8103.



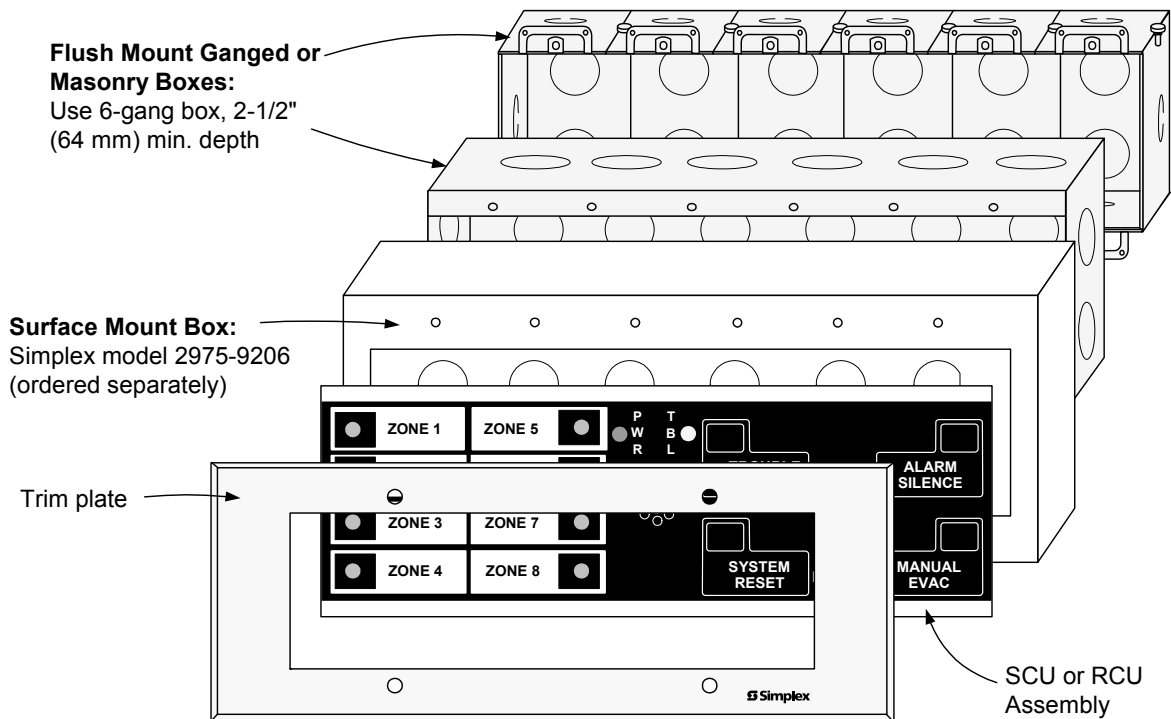
## Specifications

Voltage	18.9 to 32 VDC from fire alarm control panel	
Current	4602-9101 SCU	Supervisory = 36 mA; Alarm = 55 mA
	4602-9102 RCU	Supervisory = 40 mA; Alarm = 80 mA
	4602-7107 or 4602-9150 Graphic I/O Module	Supervisory = 40 mA; Alarm = 65 mA minimum, up to 2.5 A maximum; LED/lamp driver outputs are rated 150 mA maximum each
Communications	RUI (Remote Unit Interface) external annunciator communications line SLC (signaling line circuit)	
4100ES/4100U Capacity, Per RUI Output	Up to 31 remote annunciators/MINIPLEX transponders per channel including the 4603-9101 LCD Annunciator, the SCU, and the RCU; refer to data sheet S4100-0031 for additional 4100ES information	
4010ES Capacity	Up to 20 internal or external card addresses including 4603-9101 LCD Annunciators, the SCU, and the RCU; refer to data sheets S4010-0004 for additional 4010ES information (refer to data sheet S4100-0006 for International 4010ES applications)	
4007ES Capacity	Up to 10 total RUI annunciators	
4005 RUI Capacity	Up to 16 total SCUs and/or RCUs; refer to data sheet S4005-0001 for additional 4005 information	
Wiring Requirements	Data	Single twisted, shielded pair, 18 AWG (0.82 mm <sup>2</sup> )
	Power	18 to 12 AWG (0.82 mm <sup>2</sup> to 3.31 mm <sup>2</sup> )
	Earth	A dedicated earth ground connection to the electrical box is required for proper ESD and EMI protection; wire in accordance with NFPA 70 ( <i>National Electrical Code</i> ) Article 250
Operating Temperature	32° F to 120° F (0° C to 49° C)	
Operating Humidity	Up to 93% RH, non-condensing @ 90° F (32° C) maximum	

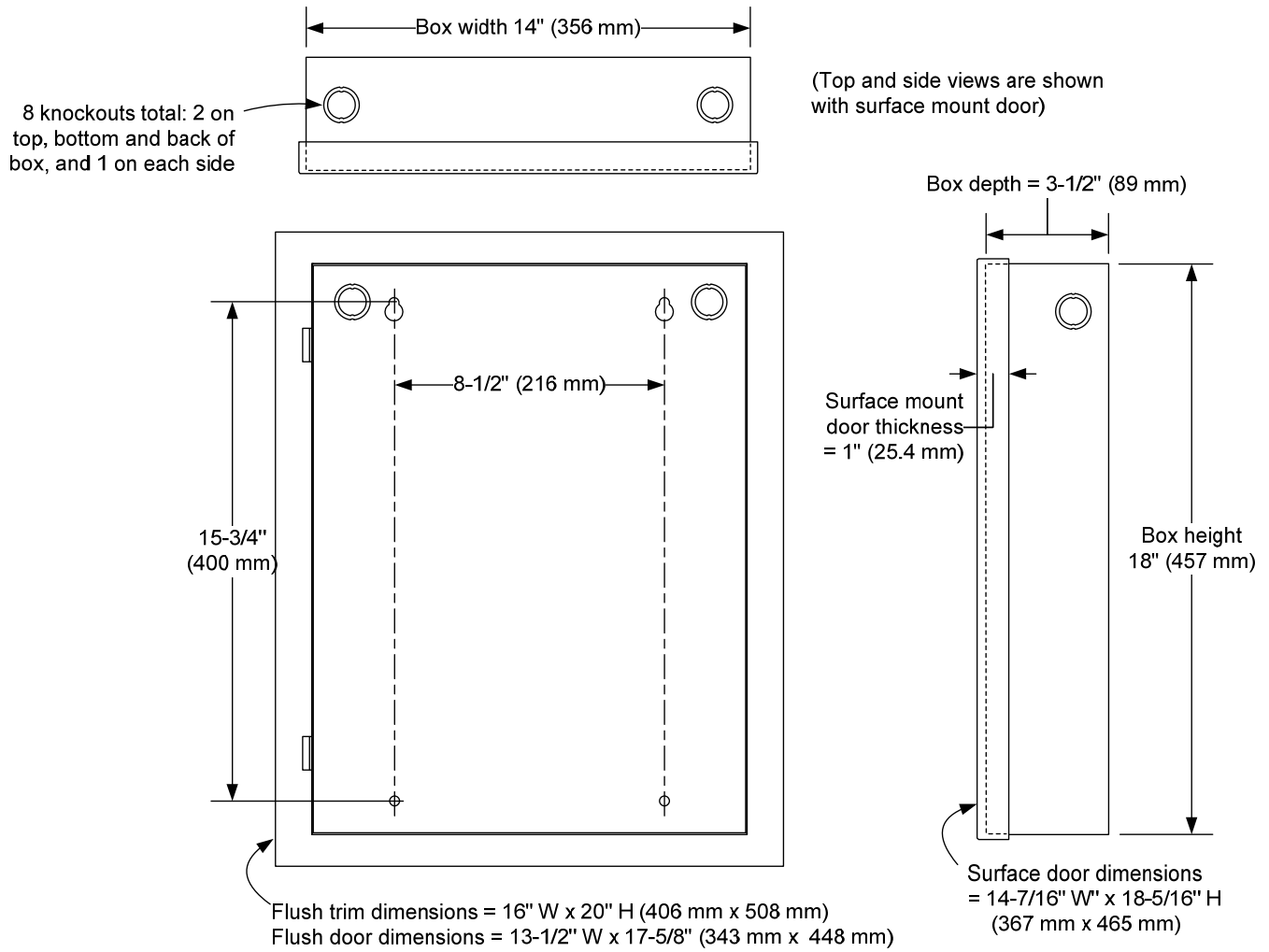
## Additional Reference

All	Field Wiring Diagram 841-780
4602-9101 SCU and 4602-9102 RCU	Installation Instructions 574-015
4602-7107 or 4602-9150 Graphic I/O Module	Installation Instructions 574-024

## RCU/SCU Mounting Reference



**4602-8001 Mounting Reference**



TYCO, SIMPLEX, and the product names listed in this material are marks and/or registered marks. Unauthorized use is strictly prohibited.



Tyco Fire Protection Products • Westminister, MA • 01441-0001 • USA  
 www.simplex-fire.com

S4602-0001-16 1/2018

© 2018 Tyco Fire Protection Products. All rights reserved. All specifications and other information shown were current as of document revision date and are subject to change without notice.