

Features

Audible/visible notification appliances with private mode electronic chime and high output xenon strobe, available for wall or ceiling mount:

- Operation is compatible with ADA requirements (refer to important installation information on page 3)
- Rugged, high impact, flame retardant thermoplastic housings are available in red or white with clear lens

Operates over a two-wire Simplex® SmartSync circuit to provide:

- Private mode chime tones controlled separately from strobes on the same two-wire circuit
- SmartSync chime activation of Temporal pattern, March Time pattern (at 60 BPM), or on continuously (at 60 BPM)
- Strobe appliances on the same circuit operating at a synchronized 1 Hz flash rate
- Refer to page 2 for SmartSync control list and additional operation information

Wall mount chime/strobes features:

- Wiring terminals accessible from the front of the housing providing easy access for installation, inspection, and testing
- Covers are available separately to convert housing color

Optional adapters and wire guards:

- Wall mount adapters are available to cover surface mounted electrical boxes and to adapt to Simplex 2975-9145 boxes
- UL listed red wire guards are available for wall or ceiling mount chime/strobes*

Visible notification appliance (strobe):

- 24 VDC xenon strobe; intensity is selectable as 15, 30, 75, or 110 candela with visible selection jumper secured behind strobe housing
- Regulated circuit design ensures consistent flash output and provides controlled inrush current
- Listed to UL 1971 and to CSA standards for general signaling use in Canada (non-fire alarm applications)

Audible notification appliance (chime):

- Low current, 24 VDC electronic chime with volume and tone frequency adjustment
- Listed to UL 464 for private mode signaling and to CSA standards for general signaling use in Canada (non-fire alarm applications)

* Refer to page 2 for guard listing. This product has been approved by the California State Fire Marshal (CSFM) pursuant to Section 13144.1 of the California Health and Safety Code. See CSFM Listing 7135-0026:335 for allowable values and/or conditions concerning material presented in this document. Additional listings may be applicable; contact your local Simplex product supplier for the latest status. Listings and approvals under Simplex Time Recorder Co. are the property of Tyco Fire Protection Products.



Wall and Ceiling Mount Chime/Strobes

Description

Multi-Candela TrueAlert chime/strobes provide private mode audible notification for applications requiring notification of trained personnel instead of the general public. Typical applications would be in medical patient areas where the softer chime tones are less disruptive than conventional fire alarm audible notification.

Enclosure designs are both impact and vandal resistant, and provide a convenient strobe intensity selection. Since each model can be selected for strobe intensity output, on-site model inventory is minimized and changes encountered during construction can be easily accommodated. Installation conveniently uses standard electrical boxes.

Wall mount chime/strobe housings are a one-piece assembly (including lens) that mounts to a single or double gang, or 4" square standard electrical box. The cover can be quickly removed (a tool is required) and covers are available separately for color conversion.

Ceiling mount chime/strobe housings install using standard 4" electrical boxes. Color choice is determined by model number.

Strobe Intensity Selection

During installation, a selection plug at the back of the housing determines the desired strobe intensity. An attached flag with black letters on a highly visible yellow background allows the selected intensity to be seen at the side of the strobe lens.

Strobe Application Selection

Proper selection of visible notification is dependent on occupancy, location, local codes, and proper applications of: the *National Fire Alarm Code* (NFPA 72), ANSI A117.1; the appropriate model building code: BOCA, ICBO, or SBCCI; and the application guidelines of the Americans with Disabilities Act (ADA).

Synchronized Strobes

Multiple Strobes. When multiple strobes and their reflections can be seen from one location, synchronized flashes reduce the probability of photo-sensitive reactions as well as the annoyance and possible distraction of random flashing. The multi-candela strobes of these chime/strobes are synchronized by the controlling SmartSync operation NAC.

SmartSync Two-Wire Control

SmartSync operation mode allows a two-wire circuit to provide the ability to activate both the chime and strobe on the same NAC and then allow the chime to be silenced while the strobe remains flashing. The chime operates as “on-until-silenced” while the strobe operation is “on-until-reset.”

SmartSync Control Sources

- 4006, 4008, 4007ES Hybrid, 4010, 4010ES, 4100ES, and 4100U Fire Alarm Control Panels (refer to individual product data sheets for more information)
- 4009 IDNet NAC Extender (refer to data sheet S4009-0002)
- SmartSync Control Module (SCM) 4905-9938 (refer to data sheet S4905-0003)

Additional SmartSync compatible notification appliances include separate chimes and combination chime/strobe notification appliances.

Product Selection

Multi-Candela Chime/Strobes

Model	Mounting	Housing Color	“FIRE” Lettering	Description
4906-9133	Wall	Red	White	Electronic chime with Multi-Candela Strobe; strobe intensity selectable as: 15, 30, 75, or 110 candela; operates with SmartSync two-wire control
4906-9134		White	Red	
4906-9135	Ceiling	Red	White	
4906-9136		White	Red	

Wall Mount Chime/Strobe Accessories

Model	Description	Dimensions
4905-9937	Red	5-3/8" H x 5-1/4" W x 1-5/8" D (136 mm x 133 mm x 41 mm) depth with strobe = 4-3/8" (111 mm)
4905-9940	White	
4905-9931	Red Adapter Plate for mounting to Simplex 2975-9145 box (typically for retrofit, may be mounted vertical or horizontal)	8-5/16" x 5-3/4" x 0.060" Thick (211 mm x 146 mm x 1.5 mm)
2975-9145	Red Mounting Box, requires Adapter Plate 4905-9931	7-7/8" x 5-1/8" x 2-3/4" D (200 mm x 130 mm x 70 mm)

SmartSync Control Module

Model	Description	Dimensions
4905-9938	SmartSync Control Module with Class B or Class A output; mounts in 4" (102 mm) square box; refer to data sheet S4905-0003 for details	4" x 4-1/8" x 1-1/4" D (102 mm x 105 mm x 32 mm)

Replacement Covers for Wall Mount Chime/Strobes

Model	Description	Dimensions
4905-9994	Red cover with white “FIRE” lettering	5-1/8" H x 5" W x 1-1/2" D (130 mm x 127 mm x 38 mm)
4905-9995	White cover with red “FIRE” lettering	

Wire Guards and Ceiling Mount Chime/Strobe Adapter

Model	Description	Dimensions
4905-9961*	Wall mount red wire guard with mounting plate, compatible with semi-flush or surface mounted boxes	6-1/16" H x 6-1/16" W x 3-1/8" D (154 mm x 154 mm x 79 mm)
4905-9927*	Red Wire Guard for mounting to flush mounted electrical box	8-1/2" x 6-1/8" x 3" (216 mm x 156 mm x 76 mm)
4905-9928*	Red Adapter Plate, required to mount guard to surface mounted electrical box	9" x 7" (229 mm x 178 mm)
4905-9915	White	4-3/4" x 6-7/8" x 1-1/2" deep, (121 mm x 175 mm x 38 mm)
4905-9916	Red	

* UL listed by Space Age Electronics Inc.

Chime/Strobe Specifications

Wall Mount or Ceiling Mount, Common Specifications

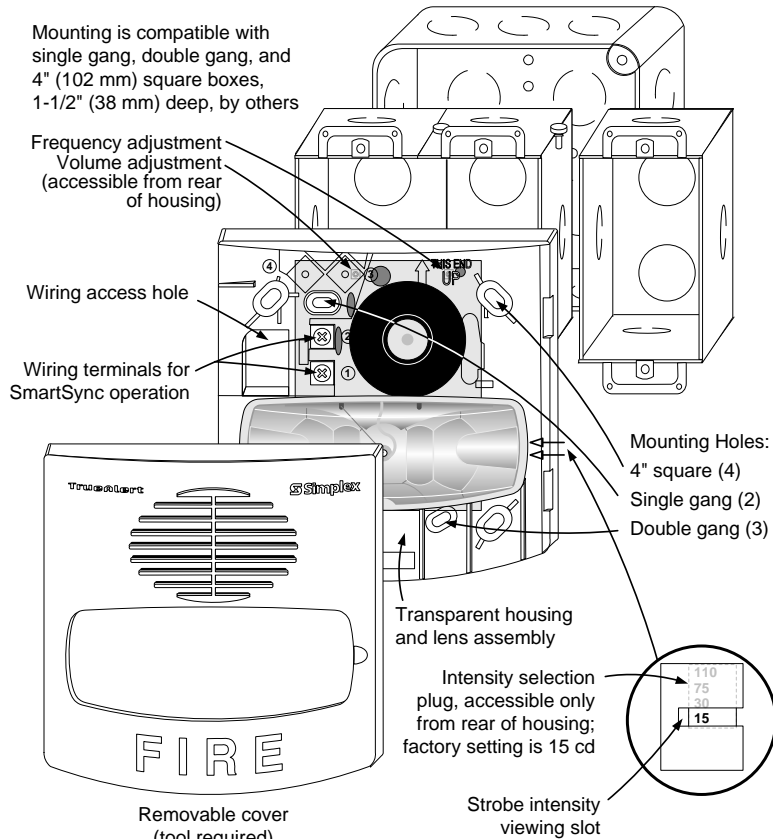
Rated Voltage Range	Regulated 24 DC; see Note 1 below				
Flash Rate and Synchronized NAC Loading	1 Hz; with up to 35 synchronized strobes maximum per NAC				
Environmental; Temperature and Humidity	32° to 122° F (0° to 50° C); 10% to 93%, non-condensing at 100° F (38° C)				
Connections	Terminal blocks for 18 AWG to 12 AWG (0.82 mm ² to 3.31 mm ²); two wires per terminal for in/out wiring				
Chime Output Characteristics (see Note 2)	Tone is adjustable from 750 Hz to 1300 Hz; factory setting is approximately 800 Hz				
	Sound output is adjustable from 34 dBA to 63 dBA; factory setting is 63 dBA				
Sound Output Ratings per UL 464 Reverberant Chamber test @ 10 ft (3 m)	63 dBA				
Wall Mount	Housing Dimensions (with lens)	5-1/8" H x 5" W x 2-3/4" D (130 mm x 127 mm x 70 mm)			
	Maximum RMS Current Rating per Strobe Setting (see Note 3 below)	15 cd	30 cd	75 cd	110 cd
		70 mA	105 mA	200 mA	265 mA
	Reference RMS Currents at other voltages	18 VDC	62 mA	93 mA	178 mA
24 VDC		47 mA	70 mA	133 mA	177 mA
Ceiling Mount	Housing Dimensions (with lens)	4-3/4 L" x 6-7/8" W x 2-5/8" D (121 mm x 175 mm x 67 mm)			
	Maximum RMS Current Rating per Strobe Setting (see Note 3 below)	15 cd	30 cd	75 cd	110 cd
		85 mA	132 mA	254 mA	343 mA
	Reference RMS Currents at other voltages	18 VDC	76 mA	117 mA	226 mA
24 VDC		57 mA	88 mA	169 mA	229 mA

NOTES:

1. "Regulated 24 DC" refers to the voltage range of 16 to 33 VDC per UL Standard 1971, *Signaling Devices for the Hearing Impaired*. This voltage range is the absolute operating range. Operation outside of this range may cause permanent damage to the appliance. Please note that 16 VDC is the lowest operating voltage that is allowed at the last appliance on the NAC under worst case conditions.
2. Factory settings are recommended for most applications. Always test installed sound level against local requirements.
3. Currents are with chime on steady. The maximum RMS current listed is the device nameplate rating. Strobe designs are constant wattage and the maximum RMS current rating occurs at the lowest allowable operating voltage. (RMS is root mean square and refers to the effective value of a varying current waveform.)

Installation Reference, Surface or Semi-Flush Mounting

For additional information, refer to Installation Instructions 579-908.



IMPORTANT! WALL MOUNT INSTALLATION HEIGHT REFERENCE

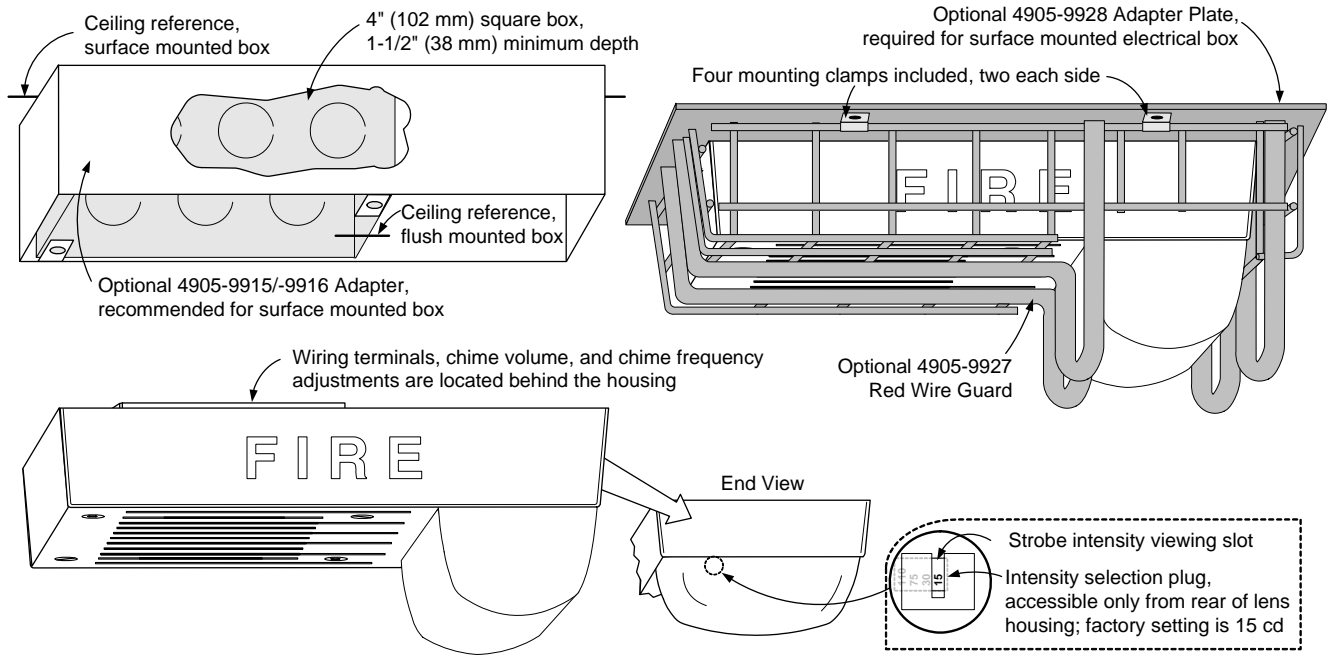
Bottom of lens is either even with, or slightly above bottom of compatible boxes

Electrical box outline

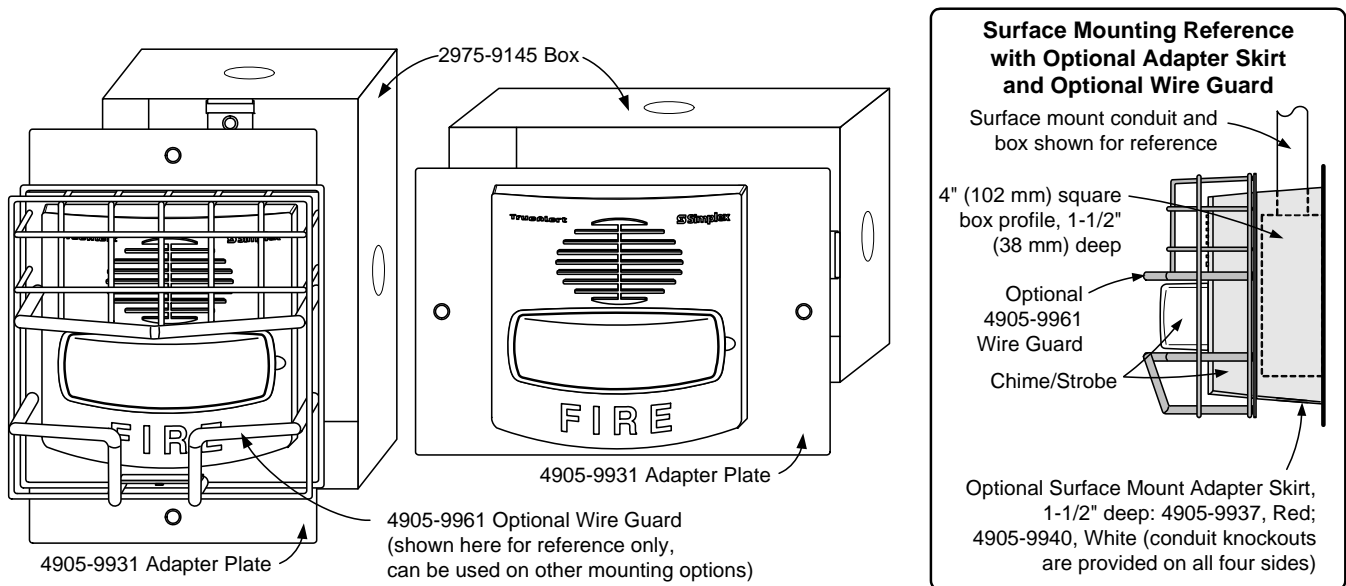
NFPA 72 requires that the entire lens be not less than 80" and not greater than 96" above the finished floor

80" (2.03 m) minimum

Ceiling Mount Chime/Strobe and Guard Installation Reference



Wall Mount Installation Reference; Adapter Plate, Guard, and Adapter Skirt



TYCO, SIMPLEX, and the product names listed in this material are marks and/or registered marks. Unauthorized use is strictly prohibited. NFPA 72 and National Fire Alarm and Signaling Code are registered trademarks of the National Fire Protection Association (NFPA).



Tyco Fire Protection Products • Westminister, MA • 01441-0001 • USA
www.simplex-fire.com

S4906-0012-2 11/2014

© 2014 Tyco Fire Protection Products. All rights reserved. All specifications and other information shown were current as of document revision date and are subject to change without notice.