

Outdoor Wall Mount Speaker and Speaker/Strobe

WSSPK SERIES

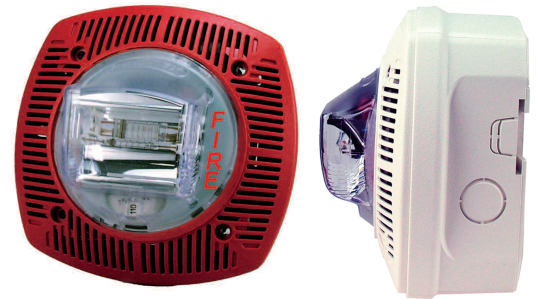
Applications

The Gentex WSSPK Series is an outdoor listed, wall mount, speaker and speaker/strobe designed to meet code requirements for audio, visual and voice communications. The WSSPK Series are quality speaker products that offer both dependable evacuation signaling and visual alarms, or a combination of both. The WSSPK24 speaker/strobe offers a fixed 15/75 candela.

Included with the WSSPK Series speaker and speaker/strobe is the GBLP outdoor listed back box. Using the GBLP back box with the WSSPK Series provides protection from weather related conditions and allows the necessary full candela output.

The WSSPK Series provides a 25 or 70.7 VRMS speaker with field selectable power taps of 1/8W, 1/4W, 1/2W, 1W, 2W or 4W. The WSSPK24 strobes can be synchronized by using the Gentex Synchronization Control Module, FACP's or power supplies that include the Gentex Synchronization Protocol.

The WSSPK Series grills are constructed of high impact textured plastic. The WSSPK is warranted for 3 years from the date of purchase. The WSSPK devices are ANSI/UL 1480 and ANSI/UL 1638 listed.



WSSPK24-15/75WR WSSPK24-15/75PWW

WSSPK and WSSPK24 Shipped with the GBLP Outdoor Back Box

Product Listings

SIGNALING



LISTED



- ANSI/UL1480 and ANSI/UL 1638 Listed
- CSFM # 7320-0569:0141

Product Compliance



- Americans with Disabilities Act (ADA)
- NFPA 72 and NFPA 720
- IBC/IFC/IRC
- City & State Ordinances/Laws/Regulations
- Quality Management System is certified to: ISO 9001:2008

Standard Features

- 24VDC fixed 15/75 candela
- WSSPK speaker and WSSPK24 speaker/strobe shipped with GBLP outdoor listed back box
- Unit Dimension: WSSPK speaker 6.1" square X 3.19" deep
WSSPK24 speaker/strobe 6.1" square X 4.0625" deep
- High quality dBA output (intelligible)
- Frequency range 400-4000Hz
- Screw terminals, separate in/out wiring (12-18 gauge)
- Field selectable power taps: 1/8W, 1/4W, 1/2W, 1W, 2W, 4W
- Speaker voltage 25 or 70.7 VRMS standard, field selectable
- To synchronize use the Gentex AVSM Control Module
- Tamperproof grill
- Faceplate available in red or off-white
- Xenon strobe maintains constant flash rate (1Hz) regardless of input voltage¹

Outdoor Evacuation Speakers and Speaker/Strobes		
Model Number	Description	Part Number
WSSPKR	Speaker	904-1437-002
WSSPKW	Speaker	904-1438-002
WSSPK24-15/75WR	Speaker/Strobe	904-1433-002
WSSPK24-15/75PWR	Speaker/Strobe	904-1434-002
WSSPK24-15/75WW	Speaker/Strobe	904-1435-002
WSSPK24-15/75PWW	Speaker/Strobe	904-1436-002
WSSPK24-15/75AWR	Speaker/Strobe	904-1431-002
WSSPK24-15/75AWW	Speaker/Strobe	904-1432-002

WSSPK24 Strobe Current Ratings	
Candela	15/75cd
24 VDC	63mA
UL Max ¹	96mA

¹ RMS current ratings are per UL average RMS method. UL maximum current rating is the maximum RMS current within the listed voltage range (16-33VDC for 24VDC units) (8-17VDC for 12VDC units). For strobes the UL max current is usually at the minimum listed voltage (16VDC for 24VDC units) (8VDC for 12VDC units). For audibles the maximum current is usually at the maximum listed voltage. For unfiltered FWR ratings, see installation manual.

Low Profile Speaker dBA @ 10 feet		
Input Watts	25 Volts	70.7 Volts
1/8	74.6 dBA	73.7 dBA
1/4	77.7 dBA	76.7 dBA
1/2	80.5 dBA	79.6 dBA
1	83.1 dBA	82.5 dBA
2	85.6 dBA	85.4 dBA
4	87.9 dBA	87.9 dBA

NOTES:

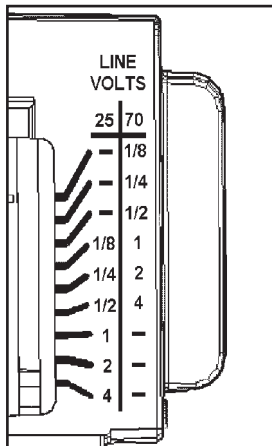
- The WSSPK Series is listed for outdoor use.
- Indoor Operating temperature: 32° to 120°F (0° to 49° C).
- Outdoor Operating temperature: -31° to 150°F (-35° to 66° C).
- Gentex does not recommend using a coded or pulsing signaling circuit with any of our strobe products (see technical bulletin 014).

R = Red Faceplate W = White Faceplate
A = ALERT Lettering (available on speaker/strobe only)

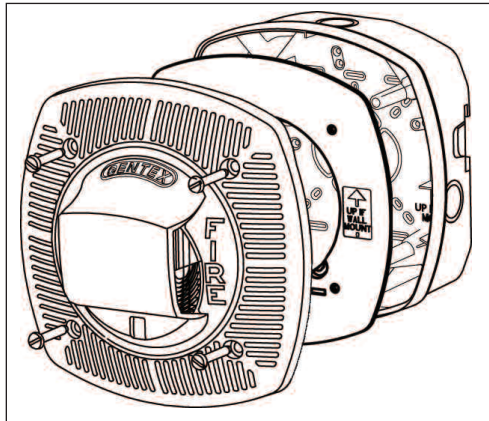
All units are available in plain (no lettering)
Plain units are non-returnable

WSSPK SERIES

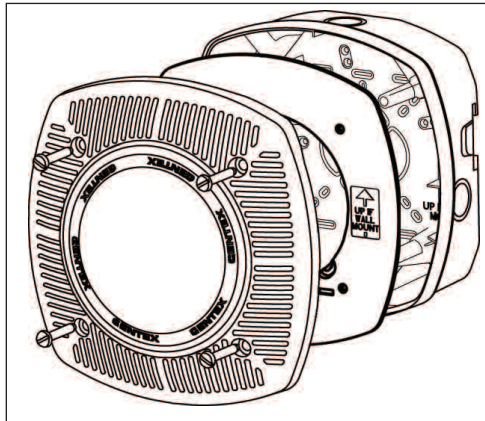
Power Tap



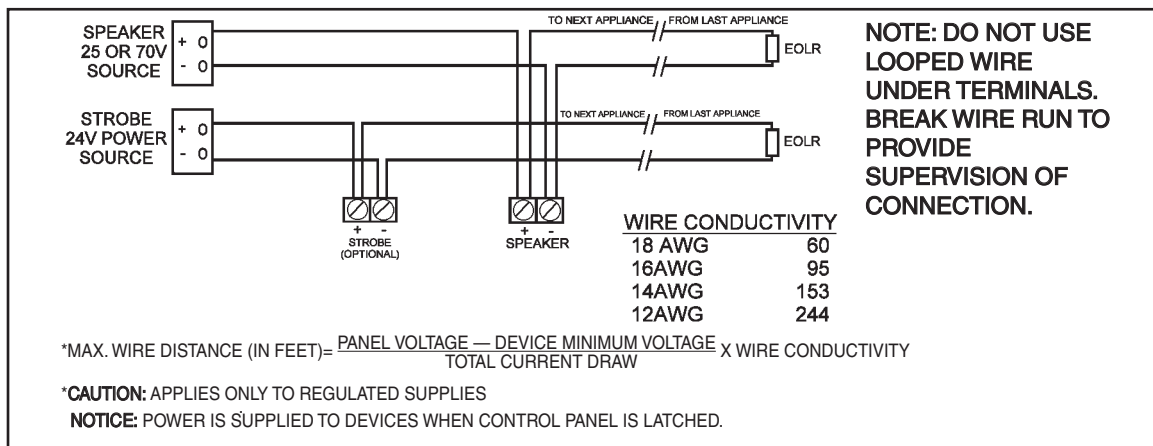
WSSPK Mounting Diagram



WSSPK24 Mounting Diagram



Wiring Diagram



Architect & Engineering Specifications

The fire alarm speaker shall be Gentex WSSPK, WSSPK24 or equivalent. The speaker shall be capable of producing alarm tones or voice on all 25 or 70.7 VRMS audio systems. The speaker shall provide incremental tap settings of 1/8, 1/4, 1/2, 1, 2 or 4 watts. Minimum dBA ratings at 1/4 watt shall be 76.7 dBA and at 4 watts 87.9 dBA. Tap settings shall be adjustable with field selectable jumper pins. The speaker shall also have an optional visual signal capability.

The visual signal shall have a 1Hz flash rate regardless of input voltage. All field wiring connections shall be made via separate in-out terminal connections.

The appliance has extended temperature range of -31° to 150°F (-35° to 66° C). The appliance shall satisfy all outdoor and sever environment applications. The GBLP back box includes a gasket that must be inserted between the box and device. There are drain holes in the back box to allow for drainage, the seal on the GBLP is not water tight. The speaker or speaker/strobe shall be ANSI/UL and CSFM listed and comply with all local, state and federal fire alarm codes/standards.

1 unit per carton
2 pounds per carton

GENTEX CORPORATION

Fire Protection Products Group • www.gentex.com
 10985 Chicago Drive • Zeeland, Michigan 49464
 616.392.7195 • 1.800.436.8391 • 616.392.4219 Fax

Gentex Corporation reserves the right to make changes to the product data sheet at their discretion.

Important Notice:

These materials have been prepared by Gentex Corporation ("Gentex") for informational purposes only, are necessarily summary, and are not purporting to serve as legal advice and should not be used as such. Gentex makes no representations and warranties, express or implied, that these materials are complete and accurate, up-to-date, or in compliance with all relevant local, state and federal laws, regulations and rules. The materials do not address all legal considerations as there is inevitable uncertainty regarding interpretation of laws, regulations and rules and the application of such laws, regulations and rules to particular fact patterns. Each person's activities can differently affect the obligations that exist under applicable laws, regulations or rules. Therefore, these materials should be used only for informational purposes and should not be used as a substitute for seeking professional legal advice. Gentex will not be responsible for any action or failure to act in reliance upon the information contained in this material.

551-0072-02