



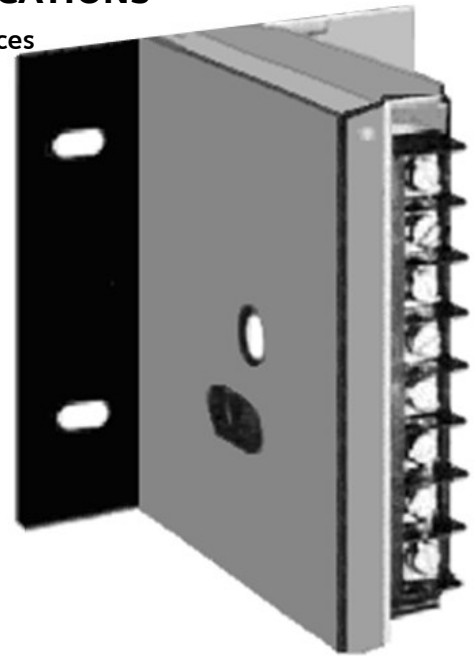
Peripheral Devices

Remote Conventional Zone Module

Model HZM | -Z

ARCHITECT AND ENGINEER SPECIFICATIONS

- Powers one (1) beam detector (Model PBA-1191) with no additional devices
- Powers up to 15 Models, per `3' or `11'-series smoke detectors
- No mechanical-address programming required
- *Alarm-verification* capability
- *WalkTest* capability
- Custom alphanumeric, 32-character message
- One (1) conventional initiating-device circuit
- Provides distributed conventional zoning
- Unlimited shorting devices per circuit
- `Class A' (Style D) or `Class B' (Style B)
- Includes metal cover plate
- Circuits power limited, per NEC 760
- Multicolor light-emitting diode (LED) for status indication
-  UL 864 9th Edition Listed and  ULC Listed;
FM, CSFM & NYC Fire Department Approved



Product Overview

Model HZM | - Z is an intelligent device that connects a single zone of conventional devices to an analog loop. Model HZM | - Z can power up to 15 two-wire ionization and photoelectric smoke detectors (Siemens Models `3' or `11'-series). Model HZM | - Z can power one (1) beam detector (Model PBA-1191) with no additional devices, and can also monitor listed alarm-causing shorting devices, such as: water-flow switches, thermal detectors, manual stations, etc.

Each Model HZM | - Z can be assigned a 32-character, custom alphanumeric message. The multicolor LED — visible through the cover plate — indicates the condition of the circuit. The multicolor LED displays **red** for *Alarm* events, **yellow** for *Trouble* commands and **green** for *Normal* operation.

Model HZM | - Z, which does not require any mechanical address programming, supports `Class A' (Style D) or `Class B' (Style B) wiring, as well as occupies one (1) address on the Model DLC circuit. Model HZM | - Z is programmed and tested using the Siemens — Fire Safety Device Program / Test Unit (Model DPU).

Additionally, Model HZM | -Z has interconnectivity with Siemens Modular panels and FireFinder® XLS, as well as with the Siemens 50-point, 252-point and 504-point addressable systems.


Application

Use of Model HZM | -Z modules allows a fire system to use a combination of intelligent and conventional devices for use with a substantial reduction in wire.

Intelligent devices can be employed in those areas requiring pinpoint annunciation, as well as analog-detection features. Common or other areas can be protected using conventional-zone detection connected to Model HZM | -Z circuits.

The method of 'distributed conventional zoning' via modules connected to intelligent circuits can result in a substantial installed cost savings.

Temperature and Humidity Range

Products are  UL 864 9th Edition listed for indoor dry locations within a temperature range of 120+/-3°F (49+/-2°C) to 32+/-3°F (0+/-2°C) and a relative humidity of 93+/-2% at a temperature of 90+/-3°F (32+/-2°C).

Remote Conventional Zone Module **6330**

Technical Data

– Model HZM Electrical Ratings –

Initiating Device Zone	
Maximum Zone Resistance	35 ohms total
Supervisory Voltage Range	18 – 24.5VDC
Maximum Zone Current	34mA

24VDC Power	
Voltage Range	18.8 – 28.8VDC
Maximum Current	100mA

Details for Ordering

Model	Part Number	Description
HZM	500-034850	Remote Conventional Zone Addressable Module
HZM-Z	S54322-F14-A1	Remote Conventional Zone Addressable Module [C.O.O.* – USA]

* denotes (C)ountry (o)f (O)rigin

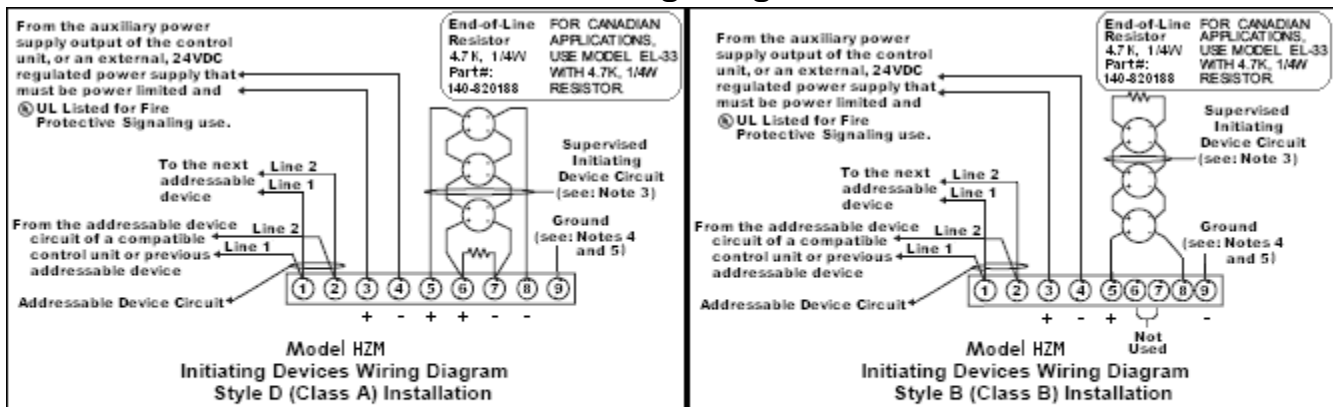
Compatibility Devices

– For use with Model HZM –

Detector	Base	Installation Instructions
DI-3 / 3H	DB-3S	315-081943-17
DI-A3 / A3H	DB-3S	315-081943-17
DI-B3 / B3H	AD-3I	315-093234-6
DT-3P-135	DE-3S	315-017545-3
DT-11	DB-11, DB-3S with DB-ADPT	315-095429-2
HI121	DB-11, DB-11E	A6V10281365_A_En
OH121	DB-11, DB-11E	A6V10281367_A_En
OP121	DB-11, DB-11E	A6V10281367_A_En
PB-1191	PBB-1191	315-095424-3
PE-3	DB-3S AD-3ILP	315-090875-7 315-093234-6
PE-11 / 11T	DB-11, AD-11P, and DB-3S with DB-ADPT	315-094198-9 315-095659-8

- Use up to 15 detectors – any combination of those listed
- Only one (1) Model PB-1191 and no additional devices can be connected to each Model HZM
- Detector operated accessories cannot be used with Model HZM
- Model DT-3P-135 is considered a shorting device [You may use an unlimited number of shorting devices]
- The Siemens Model numbers listed are ®UL Listed compatibility identifiers

Wiring Diagrams



NOTES:

1. All circuits are power limited.
2. Initiating Device Circuit cable requirements: Wire size 18 to 14 AWG
3. If Earth Ground is available, the green wire should be connected to earth ground.
4. If Earth Ground is NOT available, the IDC wiring should be limited to the same room.
5. Model HZM draws 1mA from the addressable device circuit.

Notice: This marketing data sheet is not intended to be used for system design or installation purposes. For the most up-to-date information, refer to each product's installation instructions.