



# TRIM DIAGRAM

**MODEL VXD  
DOUBLE INTERLOCK WITH  
ELECTRIC/PNEUMATIC  
RELEASE 10"**

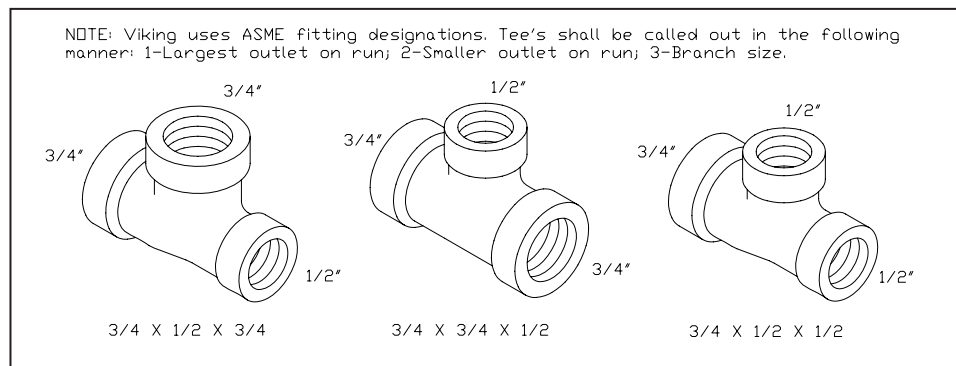
The Viking Corporation, 210 N Industrial Park Drive, Hastings MI 49058  
Telephone: 269-945-9501 Technical Services: 877-384-5464 Fax: 269-818-1680 Email: techsvcs@vikingcorp.com  
Visit the Viking website for the latest edition of this technical data page.



**WARNING:** Cancer and Reproductive Harm-  
[www.P65Warnings.ca.gov](http://www.P65Warnings.ca.gov)

## General Notes:

- Valve must be trimmed as shown. Any deviation from trim size or arrangement may affect the proper operation of the valve.
- All pipe, 3/4" (20 mm) and smaller, shall be galvanized steel except when other materials are specified in the Technical Data for the system used.
- Viking uses ASME fitting designations. Tees shall be called out in the following order: 1 - Largest outlet on run; 2 - Smaller outlet on run; 3 - Branch size.

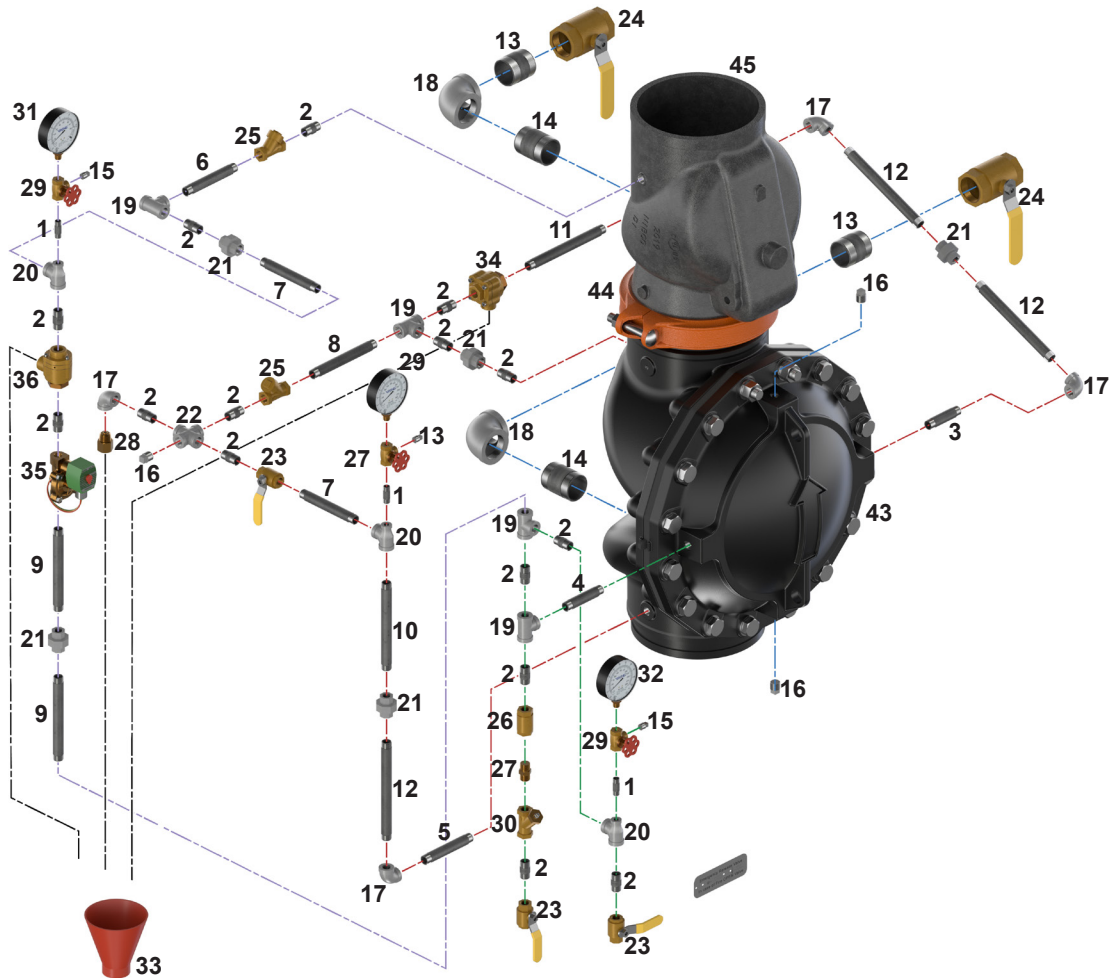




# TRIM DIAGRAM

## MODEL VXD DOUBLE INTERLOCK WITH ELECTRIC/PNEUMATIC RELEASE 10"

The Viking Corporation, 210 N Industrial Park Drive, Hastings MI 49058  
 Telephone: 269-945-9501 Technical Services: 877-384-5464 Fax: 269-818-1680 Email: techsvcs@vikingcorp.com  
 Visit the Viking website for the latest edition of this technical data page.



#	Description/Specification	Metric Length	Quantity
1	1/4" X 1-1/2"	38 mm	3
2	1/2" X 1-1/2"	38 mm	15
3	1/2" X 3"	76 mm	1
4	1/2" X 4"	102 mm	1
5	1/2" X 5"	127 mm	1
6	1/2" X 5-1/2"	140 mm	1
7	1/2" X 6"	152 mm	2
8	1/2" X 7"	178 mm	1
9	1/2" X 7-1/2"	191 mm	2
10	1/2" X 8"	203 mm	1
11	1/2" X 8-1/2"	216 mm	1
12	1/2" X 9"	229 mm	3
13	2" X 2-1/2"	64 mm	2
14	2" X 3"	76 mm	2
15	1/4" plug	--	3
16	1/2" plug	--	3
17	1/2" elbow	--	4
18	2" elbow	--	2
19	1/2" tee	--	4
20	1/2" X 1/4" X 1/2" tee	--	3

#	Description/Specification	Metric Length	Quantity
21	1/2" union	--	5
22	1/2" cross	--	1
23	1/2" Ball Valve	--	3
24	2" Ball Valve	--	2
25	1/2" Swing check valve	--	2
26	1/2" Inline check valve	--	1
27	1/2", 1/8" restriction orifice	--	1
28	1/2", 1/8" restriction orifice	--	1
29	3/4" Side outlet valve	--	3
30	1/2" Strainer	--	1
31	Air pressure gauge	--	1
32	Water pressure gauge	--	2
33	Drain cup	--	1
34	PORV	--	1
35	Solenoid valve	--	1
36	Pneumatic actuator	--	1
43	10" Deluge valve	--	1
44	10" Grooved coupling	--	1
45	10" Check valve	--	1