

TH-102 HEATER SPECIFICATIONS:

INPUT VOLTAGE: 24V AC

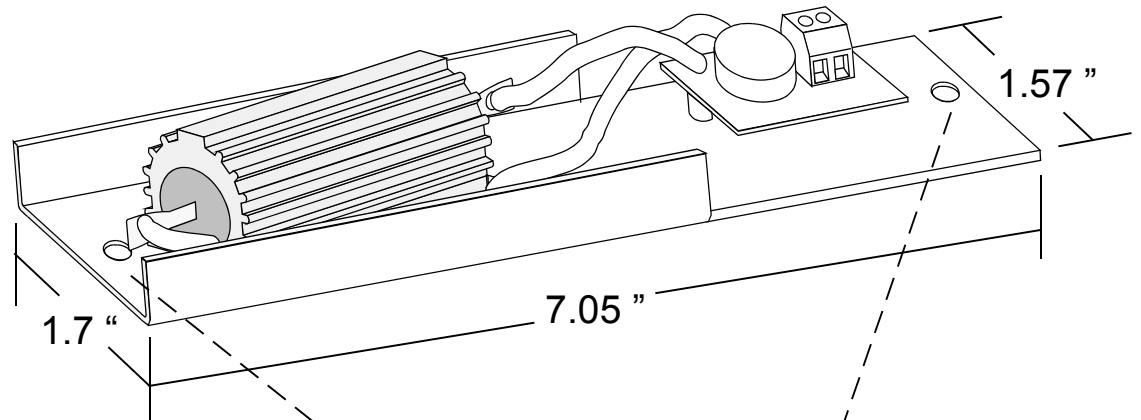
CURRENT: 1 Amp

THERMOSTAT:

77EF (25EC) ± 5EF (± 3EC) OOR(Open On Rise) OFF
50EF (10EC) ± 5EF (± 3EC) COR (Close On Rise) ON

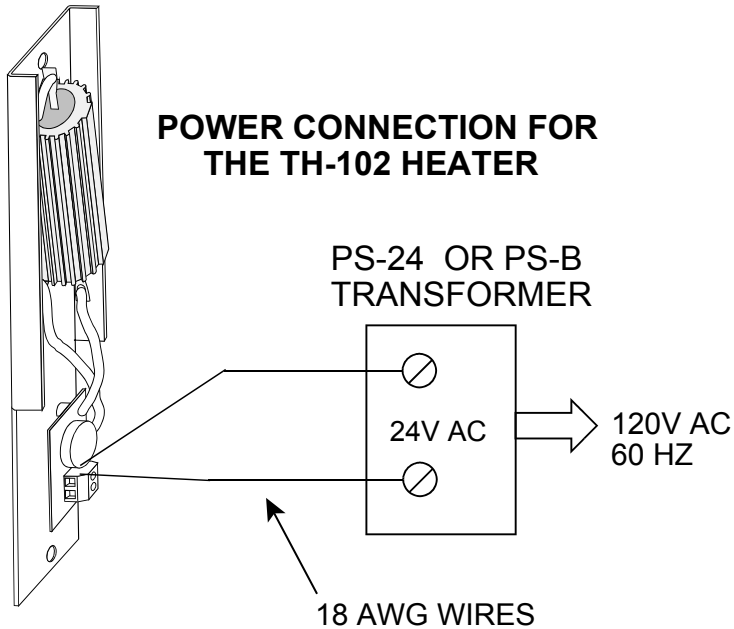
POWER DISSIPATION: 23 WATTS

TH-102 HEATER UNIT



TWO MOUNTING HOLES ARE SPACED 6.55" APART AND ARE 0.187" IN DIAMETER.

POWER CONNECTION FOR THE TH-102 HEATER



USE THE TWO #6 HEX NUTS AND TWO #6 SPACERS (0.125" LONG) TO MOUNT THE TH- 102 HEATER AND WIRE THE TRANSFORMER AS SHOWN.

TH-102 HEATER