



Macurco™ GD-6 / GD-12 Combustible Gas Detector Operation Manual



IMPORTANT: Keep these user instructions for reference.


- 1 General Safety Information 4
 - 1.1 List of warnings 4
- 2 Use Instructions and Limitations 5
 - 2.1 Use For 5
 - 2.2 Do NOT use for 5
 - 2.3 Features 6
 - 2.4 Specifications 6
 - 2.4.1 6-Series Low Voltage 6
 - 2.4.2 12-Series Line Voltage 6
- 3 Installation and Operating Instructions 7
 - 3.1 Location 7
 - 3.2 Installation 8
 - 3.2.1 6-Series Low Voltage 8
 - 3.2.2 12-Series Line Voltage 13
 - 3.3 Terminal Connection 17
 - 3.3.1 6-Series Low Voltage 17
 - 3.3.2 12-Series Line Voltage 17
- 4 Operations 19
 - 4.1 Power up 19
 - 4.2 Display turned “On” 19
 - 4.3 Display turned “Off” 19
 - 4.4 4-20mA Loop 20
 - 4.5 Default – Factory Settings 20
 - 4.5.1 Gas Selection 21
 - 4.5.2 Selecting Default Configuration – “dEF” 21
 - 4.5.3 Power-Up Test Setting – “PUt” 21
 - 4.5.4 Display Setting – “dSP” 21
 - 4.5.5 Buzzer Setting – “bUZ” 21
 - 4.5.6 Alarm Relay Setting – “ArS” 21
 - 4.5.7 Alarm Relay Configuration – “Arc” 22
 - 4.5.8 Fan Relay Setting – “FrS” 22
 - 4.5.9 Fan Relay Delay Setting – “FrD” 22
 - 4.5.10 Fan Relay Minimum Runtime Setting – “Frr” 22
 - 4.5.11 Fan Relay Latching Setting – “FrL” 22
 - 4.5.12 Trouble Fan Setting – “tFS” 22
 - 4.5.13 4-20mA Output setting – “420” 23
- 5 Troubleshooting 24
 - 5.1 On-Board Diagnostics 24
 - 5.1.1 4-20mA troubleshooting 24
 - 5.1.2 “t” Error Codes 24
 - 5.2 Sensor Poisons 25
 - 5.3 End-of-Life Signal 25
- 6 Maintenance 26
 - 6.1 Sensor Life Reset 26

Macurco GD Operation Manual

- 6.2 Cleaning 26
- 7 Testing 27
 - 7.1 Testing 27
 - 7.1.1 Operation Test 27
 - 7.1.2 Manual Operation Test 28
 - 7.2 Calibration and Test Kits 28
 - 7.3 Gas Testing 30
 - 7.3.1 Testing the Fan Relay 30
 - 7.3.2 Testing the Alarm Relay 31
 - 7.3.3 Testing the 4-20mA loop 31
 - 7.4 Field Calibration Procedure 32
 - 7.4.1 Zero the Sensor 32
 - 7.4.2 Calibration 32
- 8 Appendix A – Table of Figures 33
- 9 Appendix B – Menu Structure 34
 - 9.1 Main Menu 34
 - 9.2 Auto Test Menu “bUZ” 35
 - 9.3 Configuration Menu “CON” 36
 - 9.4 Select Test Menu “tst” 42
 - 9.5 CAL Menu 43
 - 9.6 Sensor Reset Menu “Sen” 44
- 10 Macurco Gas Detection Product limited warranty 45
- Technical Support Contact Information 45
- General Contact Information 45


1 General Safety Information

1.1 List of warnings

 WARNING
Each person using this equipment must read and understand the information in this user manual before use. Use of this equipment by untrained or unqualified persons or use that is not in accordance with this user manual, may adversely affect product performance.
Use only for monitoring the gas which the sensor and monitor is designed to detect. Failure to do so may result in exposures to gases not detectable and cause serious injury or death. For proper use, see supervisor or user manual, or contact Technical Support at 1-844-325-3050.
This equipment may not function effectively below 0°F or above 125°F (-18°C or above 52°C). Using the detector outside of this temperature range may adversely affect product performance.
This detector helps monitor for the presence and concentration level of a certain specified airborne gas. Misuse may produce an inaccurate reading, which means that higher levels of the gas being monitored may be present and could result in overexposure and cause serious injury or death. For proper use, see supervisor or User manual, or contact Technical Support at 1-844-325-3050.
High voltage terminals (120/240 VAC) are located within this detector, presenting a hazard to service technicians. Only qualified technicians should open the detector case and service the internal circuits. Ensure power is de-energized from the detector relays prior to servicing the unit. Failure to do so may result in electrical shock.
Do not disassemble unit or attempt to repair or modify any component of this instrument. This instrument contains no user serviceable parts, and substitution of components may impair product performance.
Using a certified gas with a concentration other than the one listed for this detector when conducting a calibration verification test (bump test) will produce inaccurate readings. This means that higher levels of the gas being monitored may be present and could result in overexposure. For proper use, see supervisor or User manual, or contact Technical Support at 1-844-325-3050.
The following steps must be performed when conducting a calibration verification test (bump test) to ensure proper performance of the monitor. Failure to do so may adversely affect product performance. <ul style="list-style-type: none"> • When performing a calibration verification test (bump test) only use certified calibration gas at the required concentration level. • Do not test with expired calibration gas. • Do not cover or obstruct display or visual alarm cover. • Ensure sensor inlets are unobstructed and are free of debris Failure to follow instructions outlined in this user manual can result in sickness or death.

2 Use Instructions and Limitations


The GD-6 is a low voltage, dual relay combustible gas detector and automatic ventilation controller. The GD-6 uses a microcomputer controlled, electronic system to measure the concentration of combustible gas, actuate relays and provide a 4-20 mA output. The GD-6 has a low maintenance long life (5+ years) pellistor sensor and optional gas test and calibration kits. The GD-6 is a low-level meter capable of displaying from 0-50% LEL of combustible gas.

 WARNING
Each person using this equipment must read and understand the information in this user manual before use. Use of this equipment by untrained or unqualified persons or use that is not in accordance with this user manual, may adversely affect product performance.

NOTE: Combustible gas detectors will respond to a wide range of hydrocarbons, including aerosol sprays, cleaning solvents, paint thinner and other common household items. Be alert to other hydrocarbons near the detector before assuming that the unit is false alarming or is defective.


2.1 Use For

The GD-6 provides combustible gas detection and automatic exhaust fan, louver or valve control for automotive maintenance facilities, enclosed parking garages, utility rooms, battery rooms, warehouses with forklifts and other commercial applications. The GD-6 can be used stand alone, with the Macurco DVP-120 Detection and Ventilation Control Panel, other 12 VAC or 24 VDC fire/security panels or building automation systems.

 WARNING
Use only for monitoring the gas which the sensor and monitor is designed to detect. Failure to do so may result in exposures to gases not detectable and cause serious injury or death. For proper use, see supervisor or user manual, or contact Technical Support at 1-844-325-3050.

2.2 Do NOT use for

The GD-6 is not intended for use in hazardous locations or industrial applications such as refineries, chemical plants, etc. Do not mount the GD-6 where the normal ambient temperature is below 0°F or exceeds 125°F (-18°C or above 52°C). The GD-6 mounts on a type 4S electrical box supplied by the contractor. Do not install the GD-6 inside another box unless it has good air flow through it.

 WARNING
This equipment may not function effectively below 0°F or above 125°F (-18°C or above 52°C). Using the detector outside of this temperature range may adversely affect product performance.

2.3 Features

- ETL Listed to UL 61010-1 and CAN/CSA C22.2 No 61010-1
- Low level meter capable of displaying from 0-50% LEL
- Selectable target gas – Methane (mE), Propane (Pro) or Hydrogen (Hy)
- Selectable fan and alarm relay activation
- 5 A SPDT fan relay controls starters of exhaust fans
- 0.5 A N.O. or N.C. alarm relay connects to warning devices or control panels
- 4-20 mA current loop
- GD-6 mounts on a standard 4x4 electrical box and becomes cover for the box
- Supervised system: any internal detector problem will cause the fan & alarm relay to activate
- Calibration kit is available. One screw allows access for calibration or gas test

2.4 Specifications

- Shipping Weight: 1 pound (0.45 kg)
- Size: 4 1/2 x 4 x 2 1/8 in. (11.4 X 11.4 X 5.3 cm)
- Color: Dark gray
- Connections: plugs/terminals
- Mounting box: (not included) 4x4 electric
- Fan relay: 5 A, 240 VAC, pilot duty, SPDT, latching or non-latching
- Fan relay actuation: selectable at diS (disable) 3, 4, 5, 6, 7, 8, 9, 10 (default), 11, 12, 13, 14, 15, 16, 17, 18, 19, 20% LEL
- Fan Delay Settings of 0, 1, 3 (default), 5 and 10 minutes
- Fan Minimum Run Time settings are 0 (default), 3, 5, 10 or 15 minutes
- Fan relay latching or not latching (default) selectable
- Alarm relay: 0.5A 120 V, 60 VA
- Alarm relay actuation: selectable N.O. default or N.C.
- Alarm relay settings: diS, 5, 10, 15, 20 (default), 25% LEL
- Current loop, 4-20 mA for 0-50% LEL, selectable to off or on (default)
- Buzzer: 85 dBA at 10cm settable to off (default) or on
- Digital display: 3-digit LED selectable to off (default) or on.
- Operating Environment: 0 ° F to 125 ° F (-18 ° C to 52 ° C). 10 to 90% RH noncondensing

2.4.1 6-Series Low Voltage


- Power: 3 W (max) from 12 to 24 VAC or 12 to 48 VDC
- Current @ 24VDC: 75 mA in alarm (two relays), 50 mA (fan relay only) and 23 mA stand by

2.4.2 12-Series Line Voltage

- Power: 100-240VAC (50 TO 60 HZ)
- Current: 1.0 A MAX

3 Installation and Operating Instructions

The following instructions are intended to serve as a guideline for the use of the Macurco GD-6 Combustible Gas Detector. It is not to be considered all-inclusive, nor is it intended to replace the policy and procedures for each facility. If you have any doubts about the applicability of the equipment to your situation, consult an industrial hygienist or call Technical Service at 844-325-3050.


 WARNING
This detector helps monitor for the presence and concentration level of a certain specified airborne gas. Misuse may produce an inaccurate reading, which means that higher levels of the gas being monitored may be present and could result in overexposure and cause serious injury or death. For proper use, see supervisor or User manual, or contact Technical Support at 1-844-325-3050.

3.1 Location

A GD-XX mounting height is dependent upon the target gas.

- If the target gas is lighter than air; methane (NG) or Hydrogen (H₂), mount the GD-6 high on a wall or column (about one foot down from the ceiling) in a central area where air movement is generally good.
- If the target gas is heavier than air; propane (LP), mount the GD-6 low on a wall or column (about one foot above the floor) in a central area where air movement is generally good.

The unit, on average, can cover approximately 900 sq. ft. (84 sq. meters) to 1,257 sq. ft. (117 sq. meters). The coverage depends on air movement within the room or facility. Extra detectors may be needed near any areas where people work or where the air is stagnant. Some of the factors that affect the coverage area are application type, personnel work areas and movement, room size, air movement, potential threat, mounting location, along with other site-specific factors that must be considered. Please check local regulations or requirements prior to installation. The GD-6 mounts on a 4x4 electrical box supplied by the contractor. Do not install the GD-6 inside another box unless it has good air flow through it. Do NOT mount the GD-6 where the normal ambient temperature is below 0°F or exceeds 125°F (below -18°C or above 52°C).

 WARNING
High voltage terminals (120/240 VAC) are located within this detector, presenting a hazard to service technicians. Only qualified technicians should open the detector case and service the internal circuits. Ensure power is de-energized from the detector relays prior to servicing the unit. Failure to do so may result in electrical shock.

3.2 Installation

3.2.1 6-Series Low Voltage

1. The GD-6 mounts on a 4" square (or 4x4) electrical box supplied by the contractor. Do not mount the GD-6 inside another box, unless it has good air flow through it.
2. Connect the GD-6 to Class 2 power supply only. It is suggested to use a separate transformer for powering the unit or units because of possible interferences from other devices on the same power supply.
3. Connect the GD-6 to the control cables with terminal plugs. When making connections, make sure the power is off.
4. There are two terminals for Power: 12 to 24 VAC or 12 to 48 VDC, with no polarity preference.
5. There are two terminals for the dry alarm relay contacts, again with no polarity preference. The alarm relay can switch up to 0.5 A 120 V, or 60 VA. The alarm relay is activated if gas reaches or exceeds the alarm settings. See OPERATION section of these User Instructions for details on relay settings.
6. The alarm relay can be configured to normally open (default) (N.O.) or normally closed (N.C.) and will activate if the gas concentration exceeds alarm set point. It will deactivate once the gas concentration drops below the alarm set point. Note that the "disable" setting will cause the alarm relay not to engage at all.
7. The dry contact, SPDT fan relay has three terminals. The common (COM.), normally open (N.O.) and the normally closed (N.C.) contact. The fan relay can switch up to 5.0 A up to 240 VAC. See OPERATION section of these User Instructions for details on relay settings.
8. The Fan Relay can be configured for latching or non-latching (default) when activated (when the gas concentration exceeds fan relay set point). Once latched in, power will need to be interrupted or the "TEST" button pressed to un-latch the relay condition.
9. The Fan Relay will engage if the fan setting Combustible Gas concentration is exceeded for longer than the Fan Relay Delay time. Unless it is configured for latching, the fan relay will disengage once both of these conditions have been met:
 - a. Combustible Gas concentration has dropped below fan setting
 - b. Fan Relay Run time has been exceeded

Note that the "disable" fan setting will cause the fan relay to not engage. The fan relay will engage in trouble fault condition (if the Trouble Fan Setting Option is set to "ON") and will disengage once trouble fault condition is cleared.

10. The Current Loop is 4 mA in clean air and 4-20 mA for 0-50% LEL

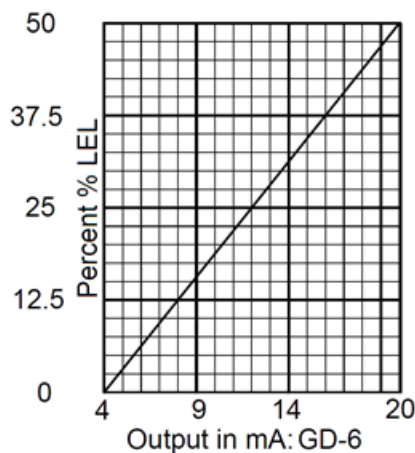


Figure 3-1 – 6-Series 4-20 mA Output diagram

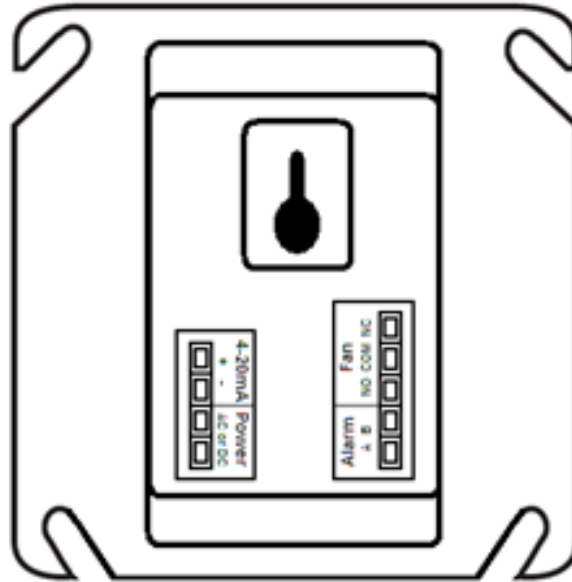


Figure 3-2 – 6-Series Rear View

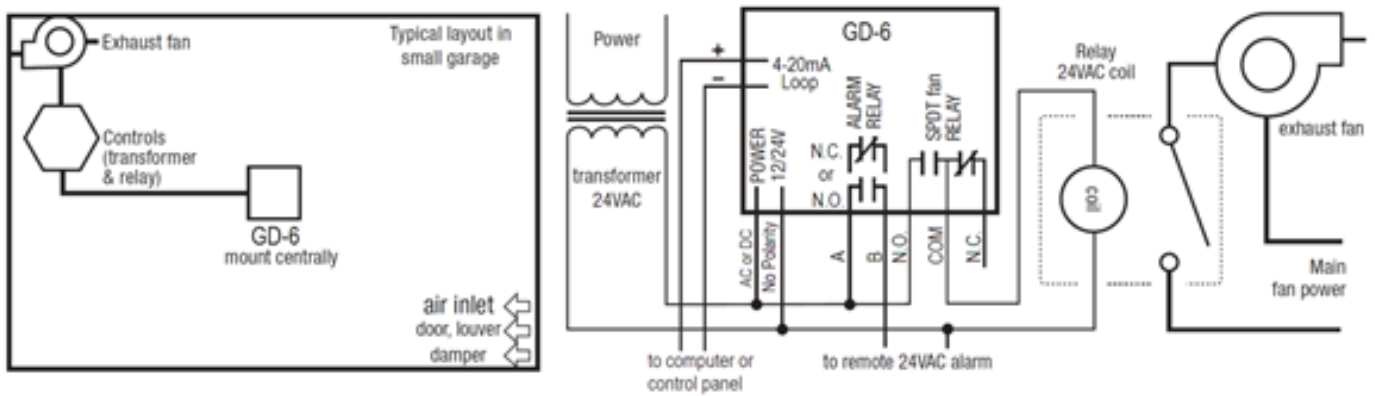


Figure 3-3 – 6-Series typical Standalone Installation

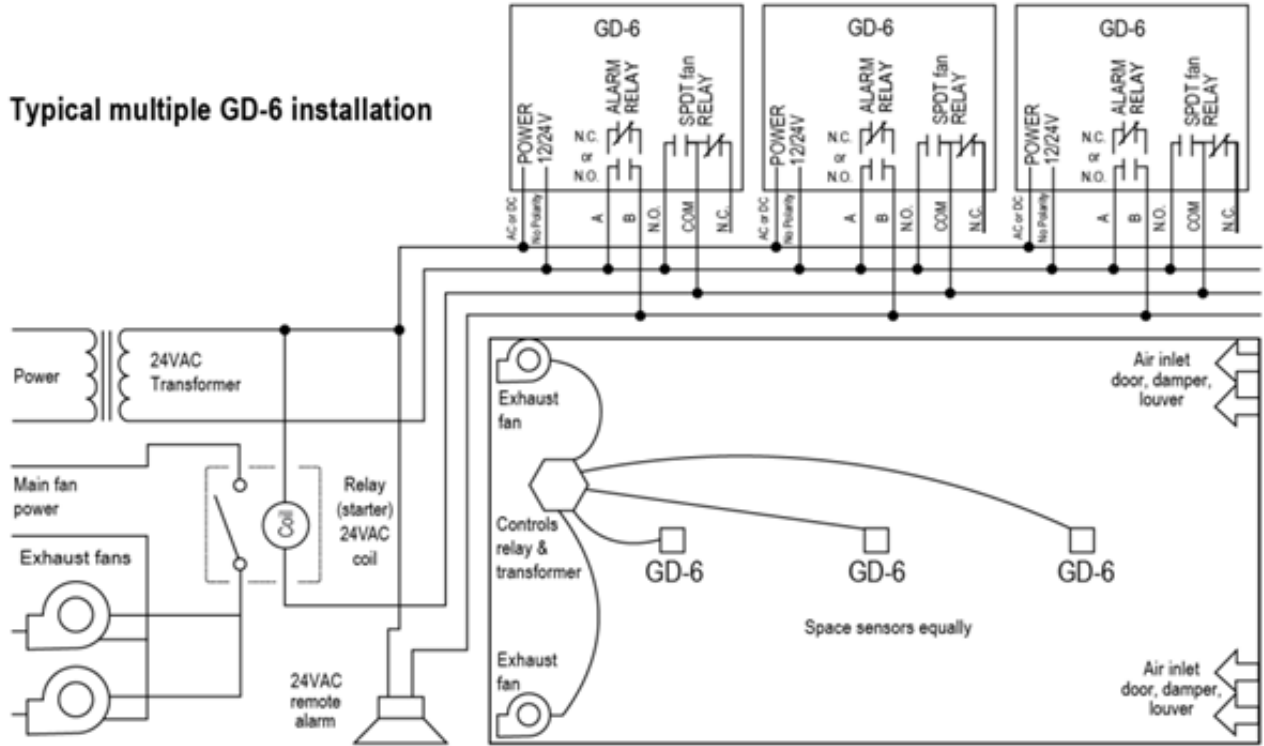


Figure 3-4 – 6-Series Multiple Device

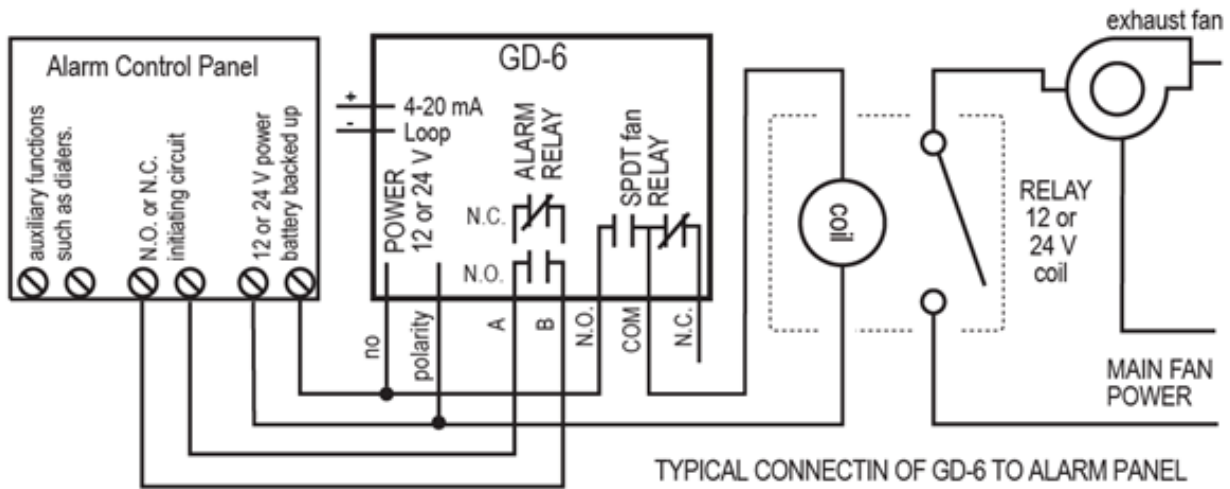


Figure 3-5 – 6-Series Alarm Control Panel

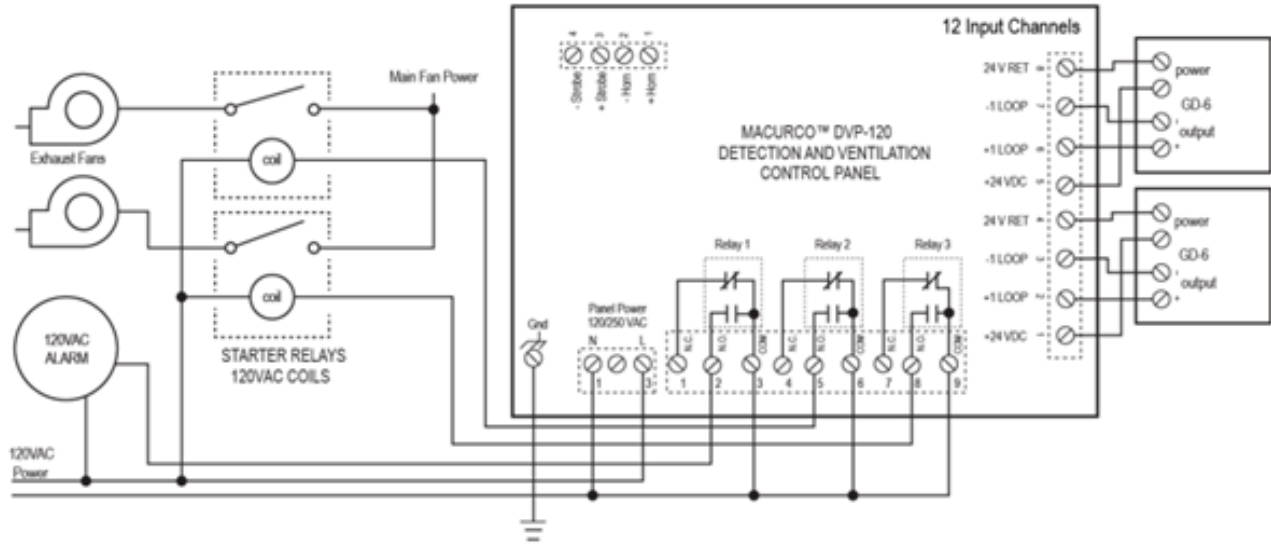


Figure 3-6 – 6-Series DVP-120 Control Panel

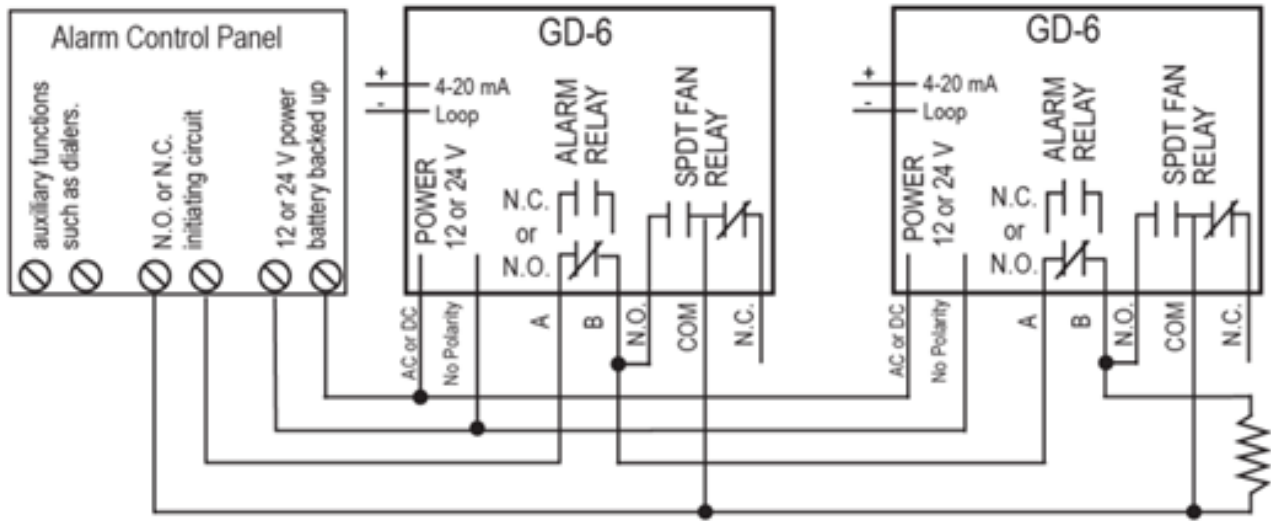


Figure 3-7 – 6-Series Alternate Alarm Panel

In this application (above) the Fan or primary relay is used as a low-level alarm relay. The Alarm or secondary relay is used as a supervisory relay when utilized in the normally closed configuration. The GD-6 monitors all critical functions of the unit through software diagnostics that continually test and verify its operations. If a problem is found, the unit will switch to a fail-safe/error mode or trouble condition. In this error mode the Fan* and Alarm relays will be activated indicating the trouble condition at panel and the GD-6 display will flash the error. *See the Trouble Fan Setting Option.

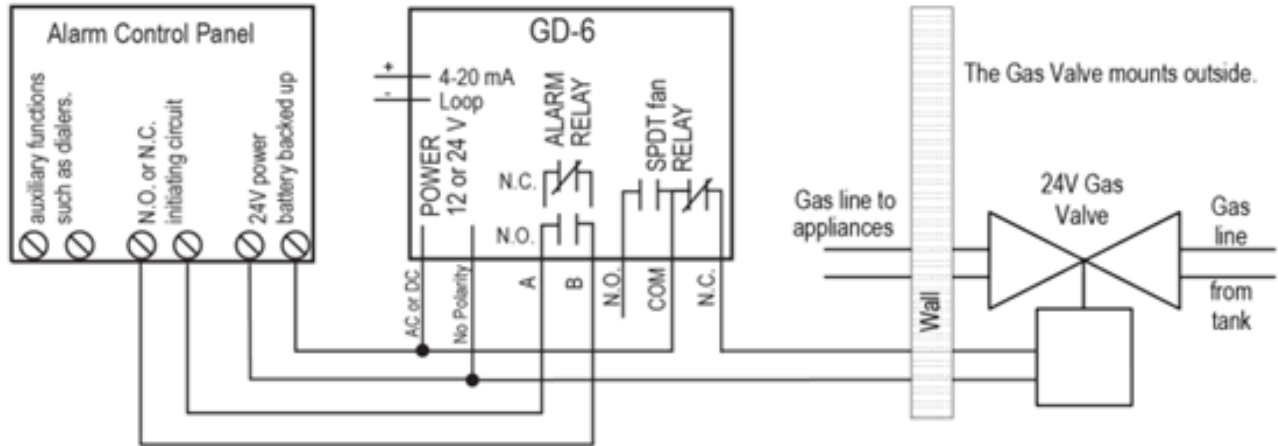


Figure 3-8 – 6-Series Alarm Panel and Shutoff Valve Wiring

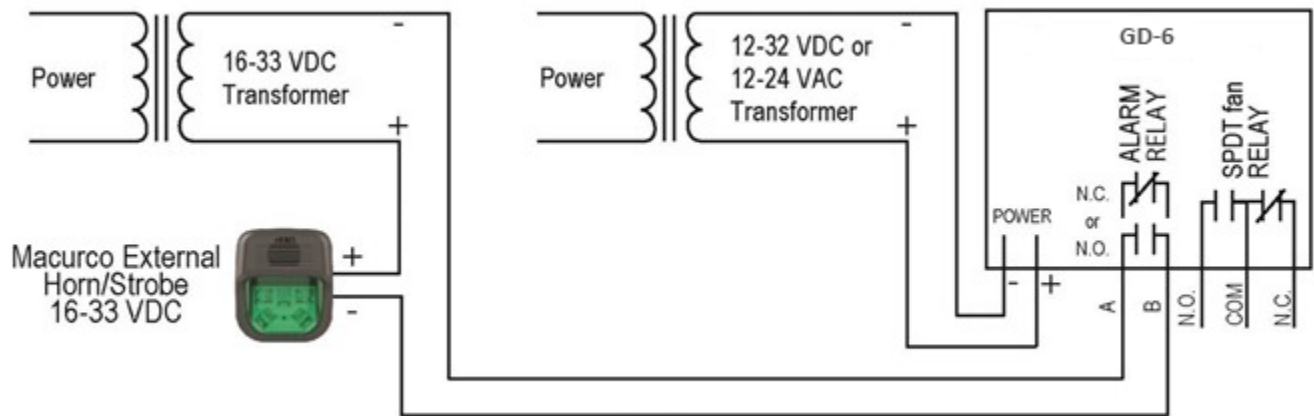


Figure 3-9 – 6-Series Horn & Strobe Combo Wiring

3.2.2 12-Series Line Voltage

1. The GD-12 mounts on a 4" square (or 4x4) electrical box supplied by the contractor. Do not mount the GD-12 inside another box, unless it has good air flow through it.
2. There are two terminals for the dry alarm relay contacts, again with no polarity preference. The alarm relay can switch up to 0.5 A 120 V, or 60 VA. The alarm relay is activated if gas reaches or exceeds the alarm settings. See OPERATION section of these User Instructions for details on relay settings.
3. The alarm relay can be configured to normally open (default) (N.O.) or normally closed (N.C.) and will activate if the gas concentration exceeds alarm set point. It will deactivate once the gas concentration drops below the alarm set point. Note that the "disable" setting will cause the alarm relay not to engage at all.
4. The dry contact, SPDT fan relay has three terminals. The common (COM.), normally open (N.O.) and the normally closed (N.C.) contact. The fan relay can switch up to 5.0 A up to 240 VAC. See OPERATION section of these User Instructions for details on relay settings.
5. The Fan Relay can be configured for latching or non-latching (default) when activated (when the gas concentration exceeds fan relay set point). Once latched in, power will need to be interrupted or the "TEST" button pressed to un-latch the relay condition.
6. The Fan Relay will engage if the fan setting Combustible Gas concentration is exceeded for longer than the Fan Relay Delay time. Unless it is configured for latching, the fan relay will disengage once both of these conditions have been met:
 - Combustible Gas concentration has dropped below fan setting
 - Fan Relay Run time has been exceeded

Note that the "disable" fan setting will cause the fan relay to not engage. The fan relay will engage in trouble fault condition (if the Trouble Fan Setting Option is set to "ON") and will disengage once trouble fault condition is cleared.

7. The Current Loop is 4 mA in clean air and 4-20 mA for 0-50% LEL

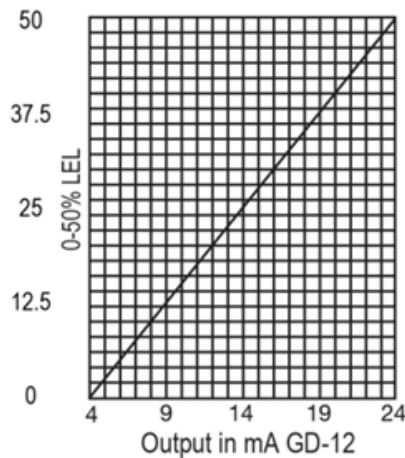


Figure 3-9 – 12-Series 4-20 mA Output

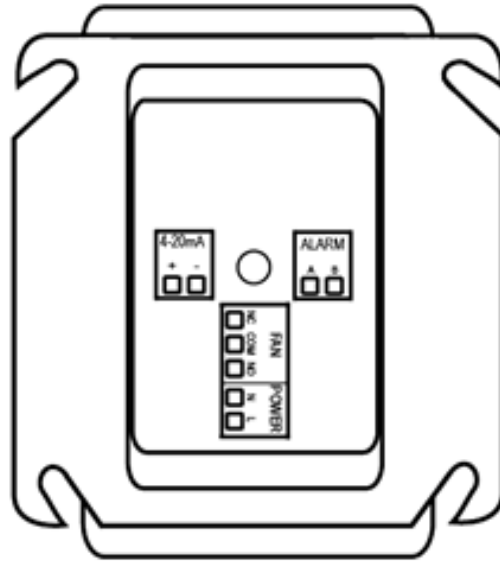


Figure 3-10 – 12-Series Rear View

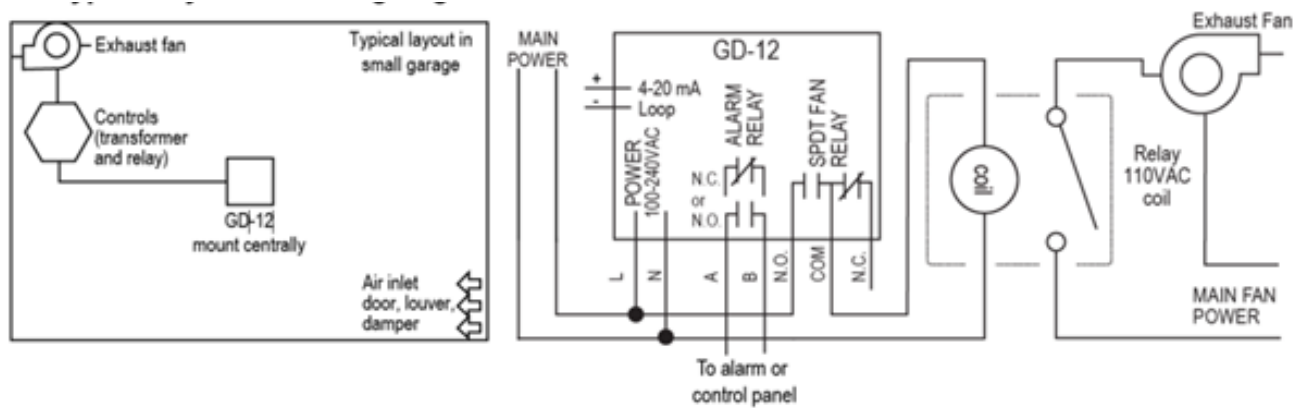


Figure 3-11 – 12-Series Typical Standalone Installation

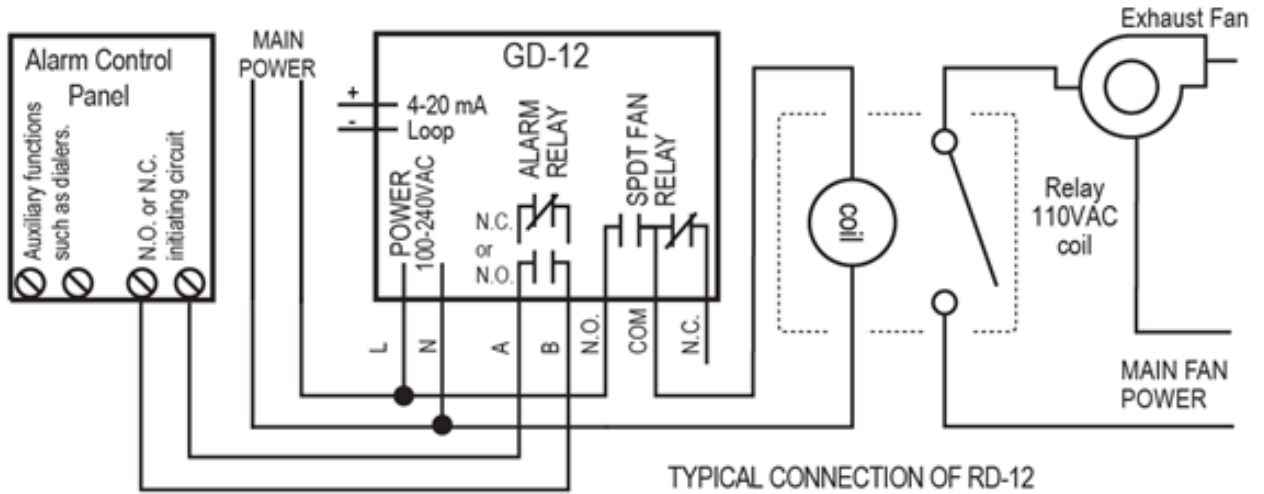


Figure 3-12 – 12-Series Use with Alarm Panel

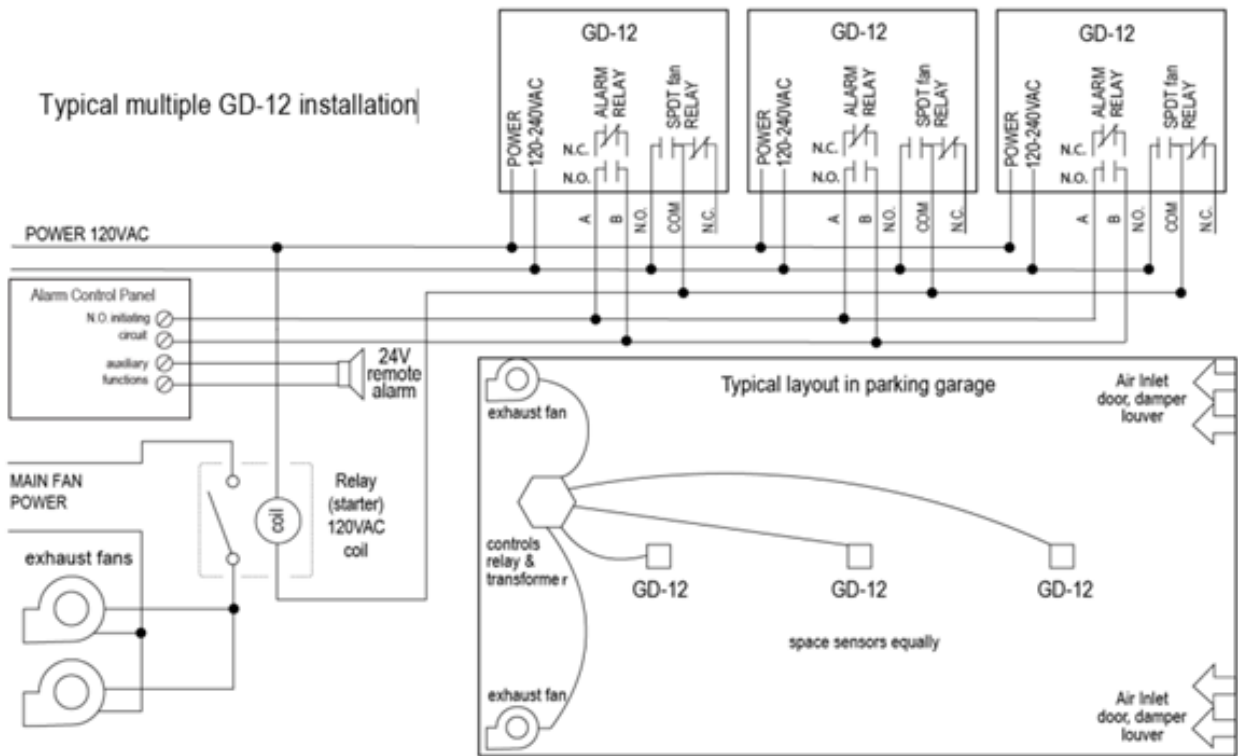


Figure 3-13 – 12-Series DVP-120 Control Panel

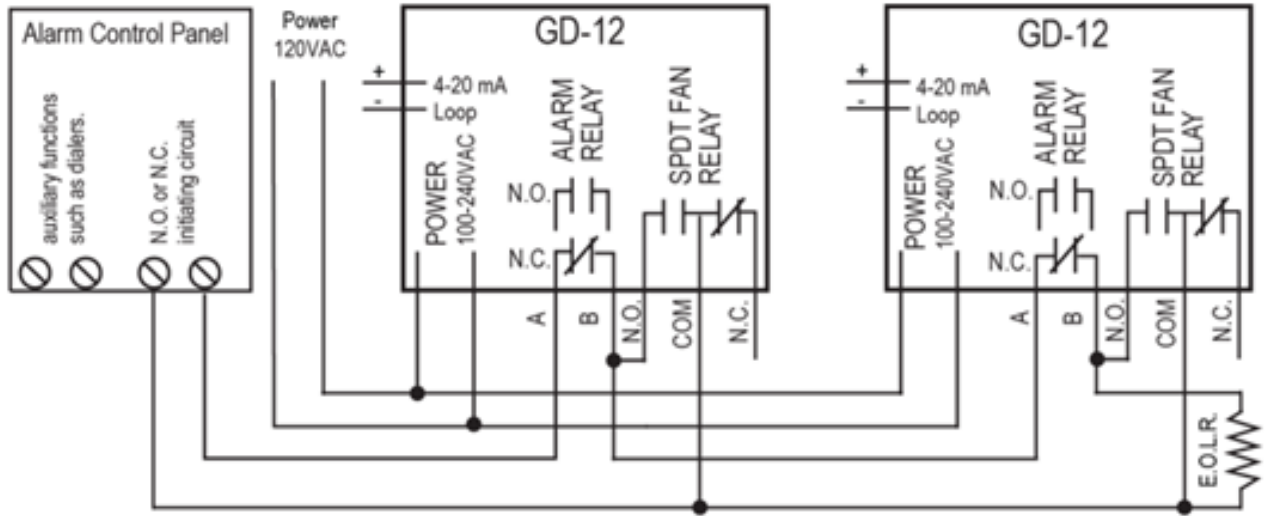


Figure 3-14 – 12-Series Alternate Alarm Panel

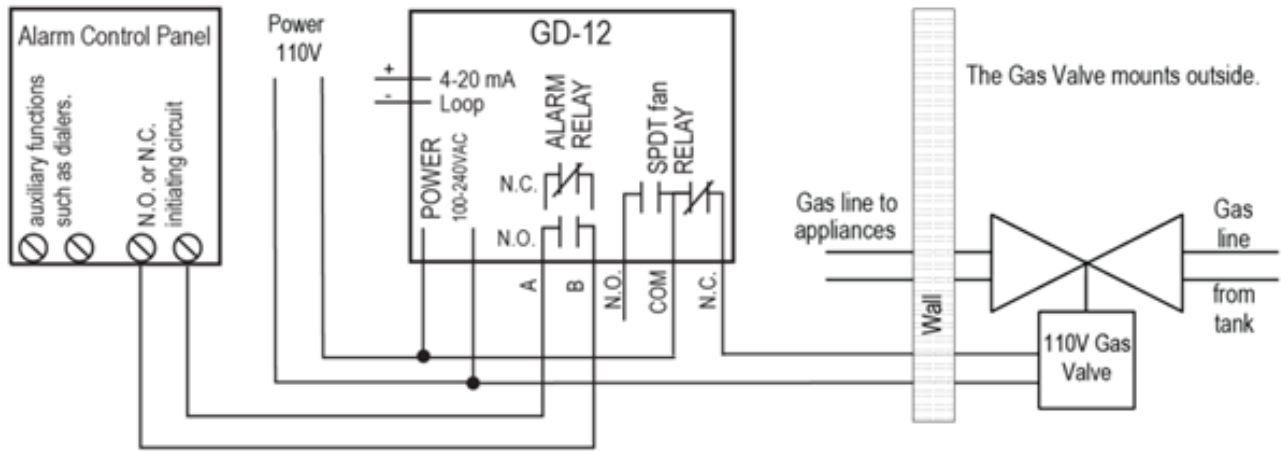


Figure 3-15 – 12 Series Alarm Panel with Shutoff Valve

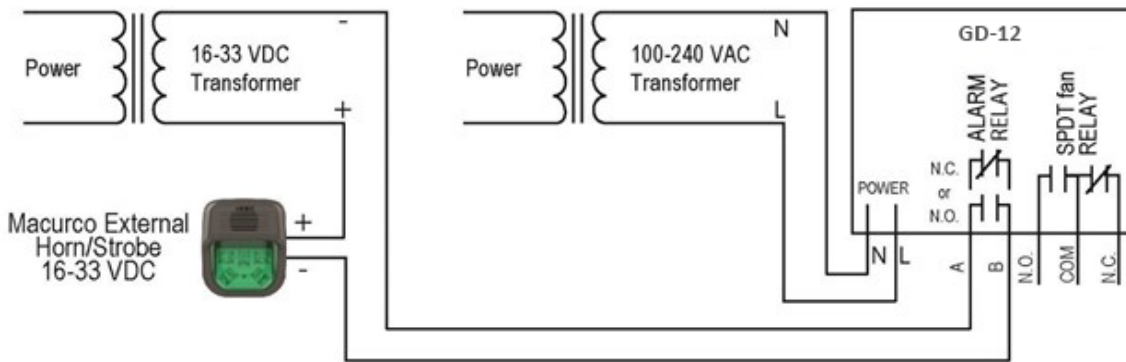


Figure 3-15 – 12-Series Horn & Strobe Combo Wiring

3.3 Terminal Connection

3.3.1 6-Series Low Voltage

With the exception of the safety ground, all field wiring is completed via modular connectors (provided). After wiring, simply plug the modular connectors into the matching connectors on the back side of the detector.

NOTE: 22 to 12 AWG wire shall be used. Wire used shall meet the temperature range of the detector i.e. 0°F to 125° F (-18°C to 52°C).

3.3.1.1 Mains Power Connection

Connect the GD-6 to Class 2 power supply only. It is suggested to use a separate transformer for powering the unit or units because of possible interferences from other devices on the same power supply. Connect the GD-6 to the control cables with terminal plugs. When making connections, make sure the power is off. There are two terminals for Power: 12 to 24 VAC or 12 to 32 VDC, with no polarity preference

Ensure that the wire cannot be easily pulled from the connector. Plug the modular connection into the Fan/Power connection and ensure that it latches into the header properly.

3.3.1.2 Fan Relay Connection

All of the SPDT Fan relay terminals are available at the Fan/Power modular connector. Each Fan relay terminal normally open, common and normally closed (NO, COM and NC) can accommodate a wire size 12 to 22 AWG. To install the wiring for the relays, disconnect the connector from the header. Strip the insulation of each wire back approximately 1/4 in. (6.5 mm), insert the bare wire into the terminal and tighten the screw clamp. Ensure that the wire cannot easily be pulled from the connector. Plug the modular connection into the Fan/Power connection and ensure that it latches into the header properly.

3.3.1.3 Alarm Relay Connection

The external alarm connections (A and B) are available at the Alarm modular connector. There is no polarity for these connections. To install the wiring for the alarm contacts, disconnect the connector from the header on the detector. Strip the insulation of each wire back approximately 1/4 in. (6.5 mm), insert the bare wire into the terminal and tighten the screw clamp. Ensure that the wire cannot easily be pulled from the connector. When the wires are connected seat the modular connector into the header ensuring that the latch engages

3.3.1.4 4-20 mA Signal Connection

The positive and negative 4-20mA signal connections (+ and -) are available at the 4-20mA modular connector, a 2-position connector. To install the wiring for the 4-20 mA contacts, disconnect the connector from the header on the detector. Strip the insulation of each wire back approximately 1/4 in. (6.5 mm), insert the bare wire into the terminal and tighten the screw clamp. Ensure that the wire cannot easily be pulled from the connector. When the wires are connected seat the modular connector into the header ensuring that the latch engages

3.3.2 12-Series Line Voltage

With the exception of the safety ground, all field wiring is completed via modular connectors (provided). After wiring, simply plug the modular connectors into the matching connectors on the back side of the detector.

3.3.2.1 Power Connection

Mains connections should be done in accordance with National and Local Electrical Codes. Only qualified personnel should connect Mains power to any device. Macurco recommends a minimum wire size of AWG18 and the wire insulator must be rated for 140°F (60°C) service. The modular connector will accept wire from 12 to 24 AWG.

The safety ground wire should be secured to the ground screw of the metal electrical box. Tighten the screw and make sure the wire is snug. Ensure that the wire cannot be pulled out from under the screw.

The Line (L) and Neutral (N) wires should be stripped 1/4 in. (6.5 mm), insert the wire into the "L" and "N" wire positions of the modular Fan/Power connector and tighten the screw clamp. Ensure that the wire cannot be easily pulled from the connector. Plug the modular connection into the Fan/Power connection and ensure that it latches into the header properly.

3.3.2.2 Fan Relay connection

All of the SPDT Fan relay terminals are available at the Fan/Power modular connector. Each Fan relay terminal normally open, common and normally closed (NO, COM and NC) can accommodate a wire size 12 to 24 AWG. To install the wiring for the relays, disconnect the connector from the header. Strip the insulation of each wire back approximately 1/4 in. (6.5 mm), insert the bare wire into the terminal and tighten the screw clamp. Ensure that the wire cannot easily be pulled from the connector. Plug the modular connection into the Fan/Power connection and ensure that it latches into the header properly.

3.3.2.3 Alarm Relay Connection

The external alarm connections (A and B) are available at the Alarm modular connector. There is no polarity for these connections. To install the wiring for the alarm contacts, disconnect the connector from the header on the detector. Strip the insulation of each wire back approximately 1/4 in. (6.5 mm), insert the bare wire into the terminal and tighten the screw clamp. Ensure that the wire cannot easily be pulled from the connector. When the wires are connected seat the modular connector into the header ensuring that the latch engages.

3.3.2.4 4-20 mA Signal connection

The positive and negative 4-20mA signal connections (+ and -) are available at the 4-20mA modular connector, a 2-position connector. To install the wiring for the 4-20 mA contacts, disconnect the connector from the header on the detector. Strip the insulation of each wire back approximately 1/4 in. (6.5 mm), insert the bare wire into the terminal and tighten the screw clamp. Ensure that the wire cannot easily be pulled from the connector. When the wires are connected seat the modular connector into the header ensuring that the latch engages.

NOTE: The 4-20mA current loop outputs may be used with the Macurco DVP-120 control panel or other systems. The 4-20mA signal connections to detectors should be size AWG18 (minimum) for short runs. Refer to the table for recommended wire gauges. Do not bundle detector 4-20mA signal connections with AC power cables to prevent electrical interference. If AC power connections must be bundled with the detector 4-20mA signal cables, the signal connections should be made with twisted pair of the appropriate gauge, with an overall foil and braid shield. All shields should be terminated at the DVP-120 end of the cable only. A ground stud is provided near the bottom left corner of the DVP-120 panel.

4 Operations

4.1 Power up

The GD-6 cycles through an internal self-test cycle for the first minute that it is powered. The unit will execute the test cycle any time power is dropped and reapplied (i.e. power failure). During the self-test cycle, the unit will display the firmware version number, then count down from 60 to 0 (if the display setting is “On”) and finally go into normal operation. The alarm relay will be activated for 10 seconds and the fan relay for 60 seconds during the power-up cycle unless the “Power Up Test” (PUt) option is OFF. The indicator light (LED) will flash green during the self-test cycle. At the end of the 1-minute cycle, the unit will take its first sample of the air and the indicator light will turn solid green.

4.2 Display turned “On”

Clean Air – With the display function turned “On”, the GD-xx will show the current concentration of combustible gas in % LEL or “0.0” (zero) in clean air.

Fan level – When the gas concentration reaches the Fan Relay setting (10.0, for example) the display will flash back and forth between “FAn” and “10.0” or current concentration of gas.

Alarm level – With the display function turned “On” and the gas concentration reaching the Alarm Relay setting, (20.0 %, for example) the display will flash back and forth between “ALr” and “20.0” or current concentration of gas. The buzzer will sound indicating “Alarm” if the buzzer is turned “On”.

Trouble – With the display function turned “On” and the device is in a trouble state, the display will display the “t” Error code (t01 for example). If the Trouble Fan Setting is enabled, the Fan relay will switch activating the relay. See section [4.5.11 Trouble Fan Setting – “tFS”](#) and section [5.1.2 “t” Error Codes](#) and

Calibration Due- With Calibration Period functionality enabled, if a detector is within 1 month of calibration period, then display will flash back and forth between “dUE” and current gas reading. Calibration Due is resolved only with successful field calibration.

4.3 Display turned “Off”

Clean Air – With the display function turned “Off”, the display does not show the gas concentration. Only the Power indicator light on will be on.

Fan Level – When the gas concentration reaches the Fan Relay setting (10.0, for example) the display will show “FAn” continuously as long as the fan relay is enabled. This appears as slowly flashing “FAn”.

Alarm Level – With the display function turned off the display does not show the gas concentration but will show “ALr” when the Alarm relay is activated.

Trouble – With the display function turned “Off” and the device is in a trouble state, the display will display the “t” Error code (t01 for example). If the Trouble Fan Setting is enabled, the Fan relay will switch activating the relay. See Section [4.5.11 Trouble Fan Setting – “tFS”](#) and Section [5.1.2 “t” Error Codes](#).

Calibration Due- With Calibration Period functionality enabled, if a detector is within 1 month of calibration period, then display will show “dUE” continuously. Calibration Due is resolved only with successful field calibration.

4.4 4-20mA Loop

4-20mA settings selected to 'bAS' or 'EnH' is considered as 4-20mA function turned ON.

Clean Air – With the 4-20 mA function turned “On” and the current concentration of gas at “0.0” (zero), the 4-20mA loop will output 4 mA.

Gas read – With the 4-20 mA function turned “On” the output will read between 4 mA and 20 mA depending on the current concentration of methane, propane or hydrogen.

Trouble – With the 4-20 mA function turned “On” and Trouble Fan Setting enabled. The 4-20mA loop will output 1 mA or 24 mA depending on the Trouble condition. See Section [5.1 On-Board Diagnostics](#).

4.5 Default – Factory Settings

Setting:	Default:
Gas	mE (methane)
Power Up Test	On
Display	Off
Buzzer	Off
Alarm Relay Setting	20% LEL
Alarm Relay Configuration	Normally Open (NO)
Fan Relay Setting	10% LEL
Fan Relay Delay	3 minutes
Fan Relay Minimum Runtime	0 minutes
Fan Relay Latching	Off
Trouble Fan Setting	Off
4-20mA	On

Table 4-1 – Default settings

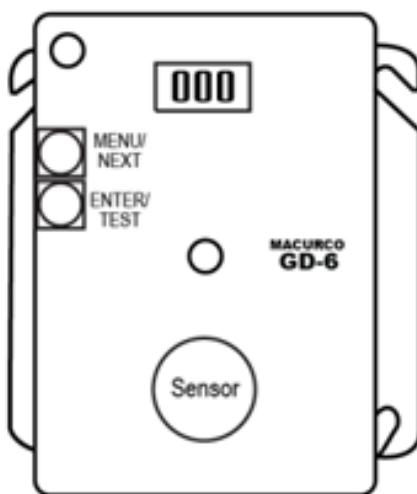


Figure 4-1 – Board View

4.5.1 Gas Selection

To select the Gas Option, in normal mode, press the Next button once to display the current gas selection (**mE** is Methane, **Pro** is Propane and **Hy** is Hydrogen). Then press the Enter button twice to enter the selection menu. The currently selected gas will be shown on the display. Press Next to scroll through the available gases selections. The selected gas will be flashing, press Enter to select the gas and Enter again to confirm the selection. To return back to normal mode press Next until “End” is displayed and press Enter.

4.5.2 Selecting Default Configuration – “dEF”

To select the Default Configuration, in normal mode, press the Next button twice to get to “Con” or the Configuration menu. Then press the Enter button to enter the Con menu. The first selection is the “dEF” or Default setting. Press Enter. If it is already in Default configuration, there will be no action. If it is not already in Default configuration, “nO” will be displayed. Press Next to change it to “yES” (flashing) then press Enter to confirm the change (solid) and press Enter again to return to “dEF” in the Con menu. Press Next until “End” is displayed then press Enter to return to normal operation.

4.5.3 Power-Up Test Setting – “PUt”

To select the Power Up Test Configuration, in normal mode, press the Next button twice to get to “Con” or the Configuration menu. Then press the Enter button to enter the Con menu. Then press the Next button to get to the second selection “PUt” or Power Up Test setting. Press Enter. If the test is “On” press Next to turn it “OFF” (flashing) then press Enter to confirm the change (solid) and press Enter again to return to “PUt” in the Con menu. Press Next until “End” is displayed then press Enter to return to normal operation.

4.5.4 Display Setting – “dSP”

To select the Display Configuration, in normal mode, press the Next button twice to get to “Con” or the Configuration menu. Then press the Enter button to enter the Con menu. Then press the Next button twice to get to the third selection “dSP” or Display setting. Press Enter. If the display is “On” press Next to turn it “OFF” (flashing) then press Enter to confirm the change (solid) and press Enter again to return to “dSP” in the Con menu. Press Next until “End” is displayed then press Enter to return to normal operation.

4.5.5 Buzzer Setting – “bUZ”

To select the Buzzer Configuration, in normal mode, press the Next button twice to get to “Con” or the Configuration menu. Then press the Enter button to enter the Con menu. The fourth selection is the “bUZ” or Buzzer setting. Press Next three times to get to “bUZ” then press Enter. If the display is “On” press Next to turn it “OFF” (flashing) then press Enter to confirm the change (solid) and press Enter again to return to “bUZ” in the Con menu. Press Next until “End” is displayed then press Enter to return to normal operation.

4.5.6 Alarm Relay Setting – “ArS”

To select the Alarm Relay Setting, in normal mode, press the Next button twice to get to “Con” or the Configuration menu. Then press the Enter button to enter the Con menu. The fifth selection is the “ArS” or Alarm Relay Setting. Press Next four times to get to “ArS” then press Enter. If the display is “dIS” (disabled) press Next to change it to 5, 10, 15, 20 or 25% LEL (flashing) then press Enter to confirm the change (solid) and press Enter again to return to “ArS” in the Con menu. Press Next until “End” is displayed then press Enter to return to normal operation.

4.5.7 Alarm Relay Configuration – “Arc”

To select the Alarm Relay Configuration, in normal mode, press the Next button twice to get to “Con” or the Configuration menu. Then press the Enter button to enter the Con menu. The sixth selection is the “Arc” or Alarm Relay Configuration. Press Next five times to get to “Arc” then press Enter. If the relay is “nO” (normally open) press Next to turn it to “nC” (flashing) then press Enter to confirm the change (solid) and press Enter again to return to “Arc” in the Con menu. Press Next until “End” is displayed then press Enter to return to normal operation.

4.5.8 Fan Relay Setting – “FrS”

To select the Fan Relay setting, in normal mode, press the Next button twice to get to “Con” or the Configuration menu. Then press the Enter button to enter the Con menu. The seventh selection is the “FrS” or Fan Relay setting. Press Next six times to get to “FrS” then press Enter. If the fan relay is “dIS” (disabled) press Next to change it to 3, 4, 5, 6, 7, 8, 9, 10, 11, 12, 13, 14, 15, 16, 17, 18, 19 or 20% LEL (flashing) then press Enter to confirm the change (solid) and press Enter again to return to “FrS” in the Con menu. Press Next until “End” is displayed then press Enter to return to normal operation.

4.5.9 Fan Relay Delay Setting – “FrD”

To select the Fan Relay Delay setting, in normal mode, press the Next button twice to get to “Con” or the Configuration menu. Then press the Enter button to enter the Con menu. The eighth selection is the “FrD” or Fan Relay Delay. Press Next seven times to get to “FrD” then press Enter. If the delay is “0” (disabled) press Next to change it to 1, 3, 5, or 10 minutes (flashing) then press Enter to confirm the change (solid) and press Enter again to return to “FrD” in the Con menu. Press Next until “End” is displayed then press Enter to return to normal operation.

4.5.10 Fan Relay Minimum Runtime Setting – “Frr”

To select the Fan Minimum Runtime setting, in normal mode, press the Next button twice to get to “Con” or the Configuration menu. Then press the Enter button to enter the Con menu. The ninth selection is the “Frr” or Fan Minimum Run Time. Press Next eight times to get to “Frr” then press Enter. If the runtime is “0” (disabled) press Next to change it to 3, 5, 10 or 15 minutes (flashing) then press Enter to confirm the change (solid) and press Enter again to return to “Frr” in the Con menu. Press Next until “End” is displayed then press Enter to return to normal operation.

4.5.11 Fan Relay Latching Setting – “FrL”

To select the Fan Relay Latching Option, in normal mode, push the Next button twice to get to “Con” or the Configuration menu. Then push the Enter button to enter the Con menu. The tenth selection is the “FrL” or Fan Relay Latching Option. Push Next nine times to get to “FrL” then Enter. If latching is “OFF” push Next to turn it to “On” (flashing) then push Enter to confirm the change (solid) and push Enter again to return to “FrL” in the Con menu. Push Next until “End” is displayed then push Enter to get back to normal operation.

4.5.12 Trouble Fan Setting – “tFS”

To select the Trouble Fan Setting Option, in normal mode, push the Next button to get to “Con” or the Configuration menu. Then push the Enter button to enter the Con menu. The eleventh selection is the “tFS” or Trouble Fan Setting Option. Push Next ten times to get to “tFS” then Enter. If Trouble Fan Setting is “OFF” push Next to turn it to “On” (flashing) then push Enter to confirm the change (solid) and push Enter again to return to “tFS” in the Con menu. Push Next until “End” is displayed then push Enter to get back to normal operation.

4.5.13 4-20mA Output setting – “420”

To select the 4-20mA Output Option, in normal mode, push the Next button to get to “Con” or the Configuration menu. Then push the Enter button to enter the Con menu. The twelfth selection is the “420” or 4-20mA Output Option. Push Next eleven times to get to “420” then Enter. If the 4-20mA is “On” push Next to turn it to “OFF” (flashing) then push Enter to confirm the change (solid) and push Enter again to return to “420” in the Con menu. Push Next until “End” is displayed then push Enter to get back to normal operation.

5 Troubleshooting

5.1 On-Board Diagnostics

The GD-6 monitors all critical functions of the unit through software diagnostics that continuously test and verify unit operations. If a problem is found, the unit will switch to a fail-safe/error mode or trouble condition. In this error mode, the Alarm relay will be activated, the 4-20 mA current loop will go to 24 mA, the unit will display the error code, the green status indicator LED light will flash, and the buzzer will chirp intermittently. The Fan relay will also engage if the Trouble Fan Setting Option is set to “ON”. This is a safety precaution. To clear this mode, simply turn off power to the unit for a few seconds or push the TEST switch (inside the unit). This will cause the unit to restart the 1-minute self-test cycle.

5.1.1 4-20mA troubleshooting

- 0 mA is most likely a connection problem
- 4-20 mA is normal gas reading range (0-50% LEL)
- 24 mA indicates a Trouble condition

5.1.2 “t” Error Codes

tXX	
t01	Sensor Fatal Error
t02	Sensor Offset Regulation Error
t04	Sensor Algorithm Error
t08	Sensor Output Error
t10	Sensor Self Diagnostic Error
t20	Sensor Out of Range Error
t40	Sensor Memory Error

tYYY	
t001	Missing Sensor (At Power Up only)
t002	At each power-up it checks if that ABC is disabled. If it is not disabled it will try to set it to disable. If it fails it will trigger trouble t002.
t004	EEPROM bad checksum.
t008	Modbus communication error (during normal operation).
t010	Bad EEPROM
t020	Bad Factory calibration.
t040	Never Factory calibrated.
t080	Bad pressure during factory calibration
t100	Under range. Reading is under -100ppm for more than 15 seconds
t200	Sensor Expired
t400	Trouble Pressure Sensor
t800	Board not tested

NOTE: For trouble codes over 080 the display will alternate between t_1 and t00 for t100 and between t_2 and t00 for t200.

If the error mode repeats frequently, check for continuous power and proper voltage. If power is not the problem and a unit has repeating error conditions, it may need to be returned to Macurco for service, per these User Instructions.

If the error mode indicates “Sensor expired” see the Sensor Life Reset section of these User Instructions.

5.2 Sensor Poisons

The gas sensor in the detector is designed with extreme sensitivity to the environment. As a result, the sensing function may be deteriorated if it is exposed to silicones, such as the common oil and lubricants with silicon compounds used as additives in machinery, halogen compounds, which are used in fire extinguishers and Freon used in refrigerants, organo-metallic compounds, sulfur compounds, chlorine compounds, acetylene, olefins or high concentrations of combustible gas.

5.3 End-of-Life Signal

The GD-6 has a long life, non-replaceable catalytic bead sensor. Five (5) years after the GD-6 is installed the sensor end-of-life signal will be activated indicating that the GD-6 has reached the end of its typical usable life. The end-of-life signal will cause an error code t200 “Sensor expired”. See Error Codes section. The end-of-life signal can be silenced for 48 hours by pressing the "ENTER/TEST" button or by temporarily dropping power to the unit. The end-of-life signal provides the user an opportunity to test and/or calibrate the sensor assuring that it is still performing within acceptable parameters though the sensor is nearing the end of its expected life. The silence function will continue to be available for 29 days after the GD-6 initiates the initial end-of-life signal. After this 29-day period the GD-6 can no longer be silenced, and the sensor must be calibrated, and the sensor life reset or the GD-6 detector replaced.

WARNING

Do not disassemble unit or attempt to repair or modify any component of this instrument. This instrument contains no user serviceable parts, and substitution of components may impair product performance.

6 Maintenance

The GD-6 is low maintenance. The unit uses a long life pellistor sensor that has a 5+ year life expectancy. The detector's performance should be tested regularly by using gas as detailed in the Testing and Field Calibration sections. All other maintenance and repair of products manufactured by Macurco are to be performed at the appropriate Macurco manufacturing facility. Macurco does not sanction any third-party repair facilities.

6.1 Sensor Life Reset

1. Remove the Philips screw on the front of the GD-6. Pull the front cover of the unit off.
2. To reset the sensor life (rSt), from normal or warm-up mode, press the Next button five times to get to SEn or Sensor Mode.
3. Then press the Enter button to get to "rSt" - Reset Sensor Mode.
4. Press the Enter button again to see the sensor reset status. If the sensor life has already been reset, done "don" will be displayed. If it has not already been reset, "no" will be displayed. Push Next to change it to "YES" (flashing) then push Enter to confirm the change (solid) and push Enter again to return to "rSt" in the SEn menu. Push Next until "End" is displayed then push Enter to get back to normal operation. The sensor life will be reset for 1 year.

NOTE : If the sensor is reset and the detector not replaced it is necessary to test and/or calibrate the sensor to assure that it is still performing within acceptable specifications though the sensor is nearing the end of its expected life. There will be no other indication of sensor performance.

6.2 Cleaning

Cleaning of the external surfaces is best carried out using a damp cloth with a mild detergent or soap. Use a vacuum cleaner with soft brush to remove dust or contamination under the cover. Do not blow out the sensor with compressed air.

CAUTION

Avoid the use of harsh cleaning materials, abrasives, and other organic solvents. Such materials may permanently scratch the surfaces and damage the display window, labels, sensor, or instrument housing.

7 Testing

WARNING

Using a certified gas with a concentration other than the one listed for this detector when conducting a calibration verification test (bump test) will produce inaccurate readings. This means that higher levels of the gas being monitored may be present and could result in overexposure. For proper use, see supervisor or User manual, or contact Technical Support at 1-844-325-3050.

All GD-6 units are factory calibrated and 100% tested for proper operation. During normal operation the green status indicator LED light will be on steady, the fan & alarm relay will be in standby mode and the 4-20 mA output will be at 4mA (in clean air). The unit also performs a regular automatic self-test during normal operation. If the unit detects an improper voltage or inoperable component, it will default into Error mode. In this error mode, the Alarm relay will be activated, the 4-20 mA current loop will go to 24 mA, the unit will display the error code, the green status indicator LED light will flash, and the buzzer will chirp intermittently. The Fan relay will also engage if the Trouble Fan Setting Option is set to "ON".

7.1 Testing

7.1.1 Operation Test

Check that the green GD-6 status indicator LED light is illuminated continuously. If not, do not proceed with the tests. If the unit is in error mode, contact your local representative or Macurco technical service representative for information on resolving the problem.

1. Remove the single screw in the middle of the front cover of the GD-6.
2. Remove the front cover.
3. Observe the LED light on the front of the GD-6.
4. If the light is solid green proceed to step 6.
5. If the green status indicator LED light is off or flashing, refer to the General section above.
6. Locate the switch labeled ENTER/TEST on the left side of the printed circuit board. Press the Test switch once.
7. The GD-6 will step through a cycle test:
 - a. The display progresses through the BUZ (Buzzer Test) Art (alarm relay test), Frt (fan relay test) then 42t (4-20 mA output test). Make sure that the settings are "on" or not disabled "diS".
 - b. During the first 10 seconds of the test cycle, the display will show BUZ and set off the audible buzzer
 - c. The alarm relay will be closed, so any devices connected to that relay will be tested.
 - d. The Fan relay will be activated for the next 1 minute of the test, so if the fan circuits are wired in the normal manner, the fan should run.
 - e. The 4-20mA output will then ramp up from 4 to 16 mA over the next 130 seconds of the test, so if the circuit is wired in the normal manner, the control panel or building automation system should respond.
 - f. At the end of the test cycle, the light will turn green and be on steady (Normal Operation), the fan & alarm relay will be in standby mode and the 4-20 mA output will return to 4 mA (in clean air).
8. When testing is completed reassemble the unit or units.

7.1.2 Manual Operation Test

This option gives the user the opportunity to manually initiate an individual test for each relay, the analog output and the sensor response to gas. From normal operation mode press the Next button 3 times to get to the Test Mode (tSt). Press the Enter button once to get into the Test Menu. Press the Next button to scroll through the four test options and press Enter to initiate the selected test. Note that if the relay or 4–20 mA output has been disabled, the test selection will not be displayed in the test menu.

bUZ –Buzzer test, 3 seconds

Art - Alarm Relay Test, 10 seconds

FrT - Fan Relay Test, 60 seconds

42t - 420 loop test, 25 seconds

gtS - Gas Test, 3 minutes (no output to the panel during the gas test)

The display will flash during the test or in the case of the gas test the level will alternate with the expected gas (mE, Pro or Hy). Once the test is complete, the display will return to steady display. To exit the test menu, press the Next button until “End” is displayed, then press Enter to return to normal mode.

7.2 Calibration and Test Kits

WARNING

The following steps must be performed when conducting a calibration or calibration verification test (bump test) to ensure proper performance of the monitor. Failure to do so may adversely affect product performance.

- When performing a calibration or calibration verification test (bump test) only use certified calibration gas at the required concentration level.
- Do not test with expired calibration gas.
- Do not cover or obstruct display or visual alarm cover.
- Ensure sensor inlets are unobstructed and are free of debris

Failure to follow instructions outlined in this user manual can result in sickness or death.

- When performing a calibration or calibration verification test (bump test) only use certified calibration gas at the required concentration level. Do not calibrate with expired calibration gas.
- If the instrument cannot be calibrated, do not use until the reason can be determined and corrected.
- Do not cover or obstruct display or visual alarm cover.
- Ensure sensor inlets are unobstructed and is free of debris

A Field Calibration Kit, Cal-Kit 1, and one bottle of calibration gas is needed to complete gas test. These are available through local distribution or from Macurco.

NOTE: GD-xx must be tested or calibrated at regular intervals in accordance with the requirements of the National Fire Protection Association (NFPA) 720 or local code requirements. Macurco recommends testing and calibration at a least once per year at a minimum but depending on the application and risk potential of the application a greater frequency might be needed. Check with local authorities for any specific local regulations.

Contents of the Cal-Kit 1

- Cal-Kit 1 (30-0011-1110-2)
 - Calibration Case
 - Two feet of Tygon tubing
 - Cal Hood-Macurco Pack
 - 0.2 LPM Gas regulator (F)

Also needed are the following gas bottles depending on the target gas (Sold Separately):

- **Hydrogen**
 - 70-0716-1758-6 Hydrogen H₂ Cal Gas Cylinder 34L 10% LEL (M) **(For Calibration and Testing)**
 - 70-0716-1759-4 Hydrogen H₂ Cal Gas Cylinder 34L 20% LEL (M) **(For Testing)**
- **Methane**
 - 70-0716-1754-5 Methane CH₄ Cal Gas Cylinder 34L 10% LEL (M) **(For Calibration and Testing)**
 - 70-0716-1755-2 Methane CH₄ Cal Gas Cylinder 34L 20% LEL (M) **(For Testing)**
- **Propane**
 - 70-0716-1756-0 Propane C₃H₈ Cal Gas Cylinder 34L 10% LEL (M) **(For Calibration and Testing)**
 - 70-0716-1757-8 Propane C₂H₈ Cal Gas Cylinder 34L 20% LEL (M) **(For Testing)**

Cal-Kit 1 Information

Several detectors can be calibrated with one Cal-Kit. The only limitation is the amount of gas in the cylinder. The 34-liter cylinder has approximately 170 minutes of continuous calibration run time. The gas cylinder should be replaced when the pressure gauge on the regulator shows 25-psi or less.

Note: For optimum test results it is suggested that the unit be in clean air, green light on, and be in a low ambient air flow.



7.3 Gas Testing

7.3.1 Testing the Fan Relay

Note: The gas concentration to activate the fan relay depends on the setting.

1. Remove the Philips screw on the front of the GD-6. Remove the front cover.
2. Connect the 10% LEL cylinder of Combustible Gas to the regulator. Ensure that the gas used for calibration matches the gas selected in the GD-6 configuration.
3. Assemble regulator, hose and test hood and place the test hood over the gas sensor.
4. Check the pressure gauge on the regulator. If you have 25-psi or less you will need to replace the gas canister.

Note: The time to activate the fan relay depends on the delay setting.

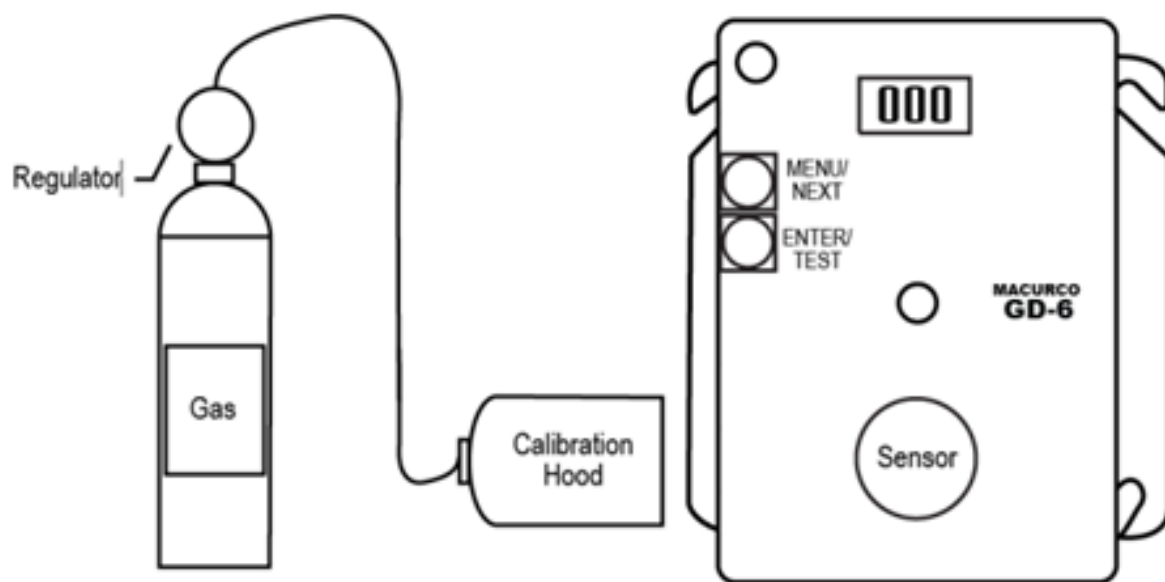


Figure 7-1 – Calibration Connection

5. Turn on the regulator to start the gas flow and wait with the gas applied continuously.
6. With the display function turned "On", the GD-6 will show the current concentration of gas or "0" (zero) in clean air. When the gas concentration reaches the fan relay setting (10% LEL, default setting) the display will flash back and forth between "FAN" and "10". With the display function turned "Off", the display does not show the gas concentration, but will show "FAN" as long as the fan relay is activated.

Note: If the Fan relay does not close within 2 minutes, consider these possibilities:

- a. Gas cylinder is empty, check the pressure gauge. Replace the gas cylinder if 25-psi or less.
 - b. Unit needs to be re-calibrated (go through recalibration and re-test).
 - c. Detector needs servicing (return unit to factory for servicing).
 - d. Detector has fan relay set to disable (OFF) or 20% LEL. Set fan relay to 10% LEL and repeat the test.
7. Remove the gas from the sensor. Proceed to test the alarm relay or replace the top cover.

7.3.2 Testing the Alarm Relay

Note: The gas concentration to activate the Alarm relay depends on the setting.

Connect the 20% LEL cylinder of Combustible Gas to the regulator. Ensure that the gas used for calibration matches the gas selected in the GD-6 configuration.

1. Check the pressure gauge. If there is 25-psi or less the cylinder should be replaced.
2. Place the test hood over the gas sensor. Turn on the regulator to start the gas flow.
3. The Fan relay should activate according to the settings.
4. With the display function turned “On” and the gas concentration reaching the Alarm Relay setting, (20% LEL, for example) the display will flash back and forth between “ALr” and “20”. The buzzer will sound indicating “Alarm” if the buzzer is turned “On”. With the display function turned off the display does not show the gas concentration but will show “ALr” when the Alarm relay is activated.

Note: If the Alarm relay fails to operate within 2 minutes, consider these possibilities:

- a. Gas cylinder is empty, check the pressure gauge. Replace the gas cylinder if 25-psi or less.
 - b. Unit needs to be re-calibrated (go through recalibration and re-test).
 - c. Detector needs servicing (return unit to factory for servicing).
 - d. Detector has Alarm relay set to disable (OFF). Set Alarm relay to 20% LEL and repeat the test.
5. Remove the gas from the sensor after test. Proceed to test the 4-20 mA output or replace the top cover.

7.3.3 Testing the 4-20mA loop

Connect the 20% LEL cylinder of Combustible Gas to the regulator. Ensure that the gas used for calibration matches the gas selected in the GD-6 configuration.

1. Check the pressure gauge. If there is 25-psi or less the cylinder should be replaced.
2. Place the test hood from the regulator over the gas sensor. Turn on the regulator to start the gas flow.
3. The fan relay should activate according to the settings.
4. The alarm relay should activate according to the settings.
5. The 4-20 mA output should ramp up from 4mA in clean air to 20 mA at 50% LEL. See 4-20 mA diagram in these User Instructions.

Note: If the 4-20mA output does not ramp up within 2 minutes, consider these possibilities:

- a. Gas cylinder is empty, check the pressure gauge. Replace the gas cylinder if 25-psi or less.
 - b. Unit needs to be re-calibrated (go through recalibration and re-test).
 - c. Detector needs servicing (return unit to factory for servicing).
 - d. Detector has 4-20 mA option set to “OFF”. Set 4-20 mA option to “On” and repeat the test.
6. Remove the gas from the sensor. Re-assemble the GD-6 (make sure the LED is aligned with the hole on the front of the case).

7.4 Field Calibration Procedure

Note: For optimum calibration results the unit should be in clean air and be in a low ambient air flow.

7.4.1 Zero the Sensor

1. Remove the Philips screw on the front of the GD-6. Pull the front cover of the unit off.
2. To select Calibration Zero Mode (000), from normal mode, press the Next button four times to get to CAL or Calibration Mode.
3. Then press the Enter button to get to “000” - Calibration Zero Mode.
4. Press the Enter button and the display will read 0 alternating with 000 (blinking) indicating zero calibration in progress (max 165 sec).
5. If the process is successful, the display will read __0 alternating with PAS (blinking) Zero Calibration complete.
6. If the process was not successful, the display will read __1 alternating with Fail (blinking) Zero Failed. If this occurs, repeat steps 2 through 4. If the sensor fails to zero twice contact Technical Assistance: 844-325-3050
7. To return to Normal Mode press Enter and then press Next until “End” is displayed. Press Enter to return to Normal Mode.

7.4.2 Calibration

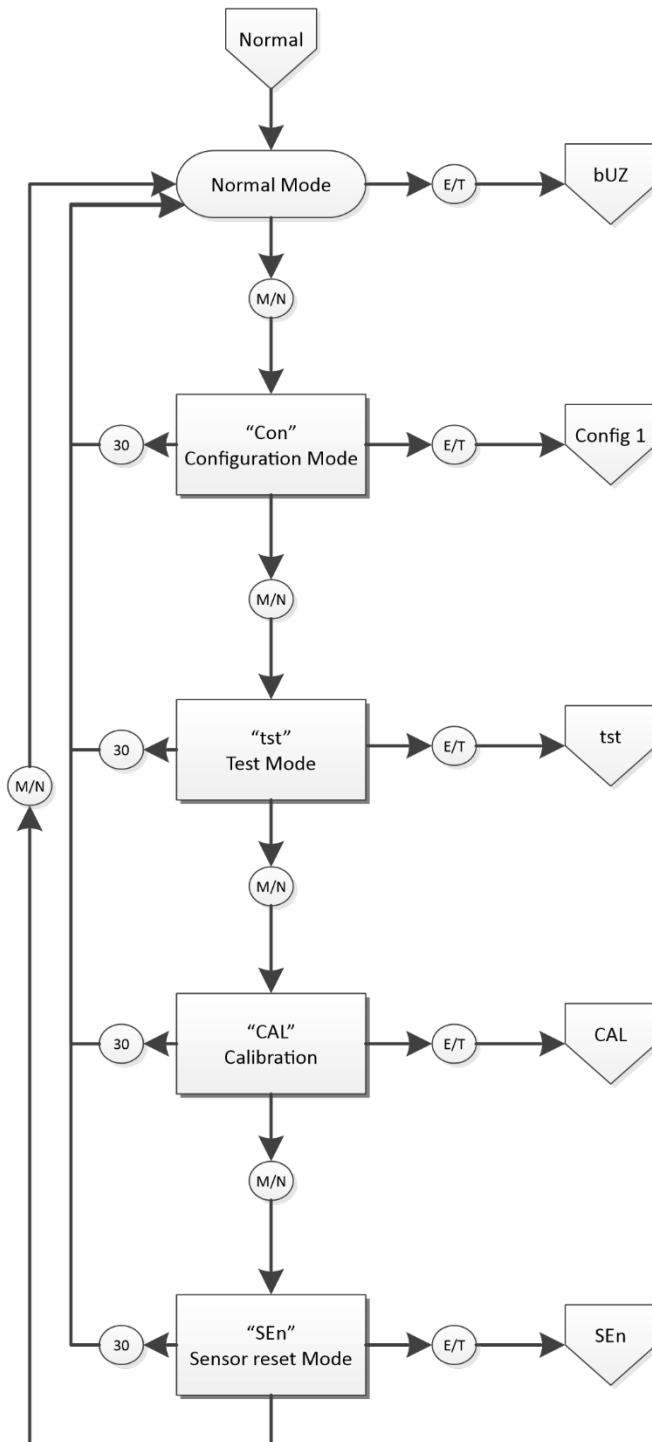
1. Remove the Philips screw on the front of the GD-6. Pull the front cover of the unit off.
2. Assemble the 10% LEL gas cylinder and regulator together. Ensure that the gas used for calibration matches the gas that the GD-6 is configured to (mE, Pro or Hy).
3. Check the pressure gauge on the regulator. If you have 25-psi or less you will need to replace the gas canister.
4. Place the test Hood from the regulator over the gas sensor.
5. To select Calibration Span Mode (SPn), from normal mode, press the Next button four times to get to CAL or Calibration Mode.
6. Then press the Enter button to get to “000” Calibration Zero Mode, then press the Next button to get to “SPn” – Calibration Span Mode.
7. Press the Enter button and the display will read 10 alternating with the gas, mE, Pro or Hy (blinking), indicating the sensor is looking for gas.
8. Start applying gas to the gas sensor.
Note: The sensor will look for the gas for 45 seconds. If no gas is applied or detected in that time, the display will return to CAL.
9. When the sensor detects the gas, the display will flash back and forth between the gas concentration and SPn and the calibration will progress. The display will show this for a maximum of 165 seconds.
10. When the calibration is successful, the display will flash back and forth between 10 and PAS.
11. Remove the gas. The display will return to “SPn”, then normal mode. The calibration is done.
12. If the calibration fails, the display will flash back and forth between the gas concentration and FAL (fail). If this occurs, check the pressure gauge on the regulator. If the pressure is less than 25-psi the flow of gas may not be adequate to properly calibrate the unit. If there is proper pressure in the cylinder repeat steps 4 through 11. If the unit fails to calibrate twice contact Macurco Technical Assistance at 1-877-367-7891.
13. Disassemble the cylinder and regulator.
14. Re-assemble the GD-6 (make sure the LED is aligned with the hole in the front case).
15. See Calibration Flowchart on the inside of the housing.

8 Appendix A – Table of Figures

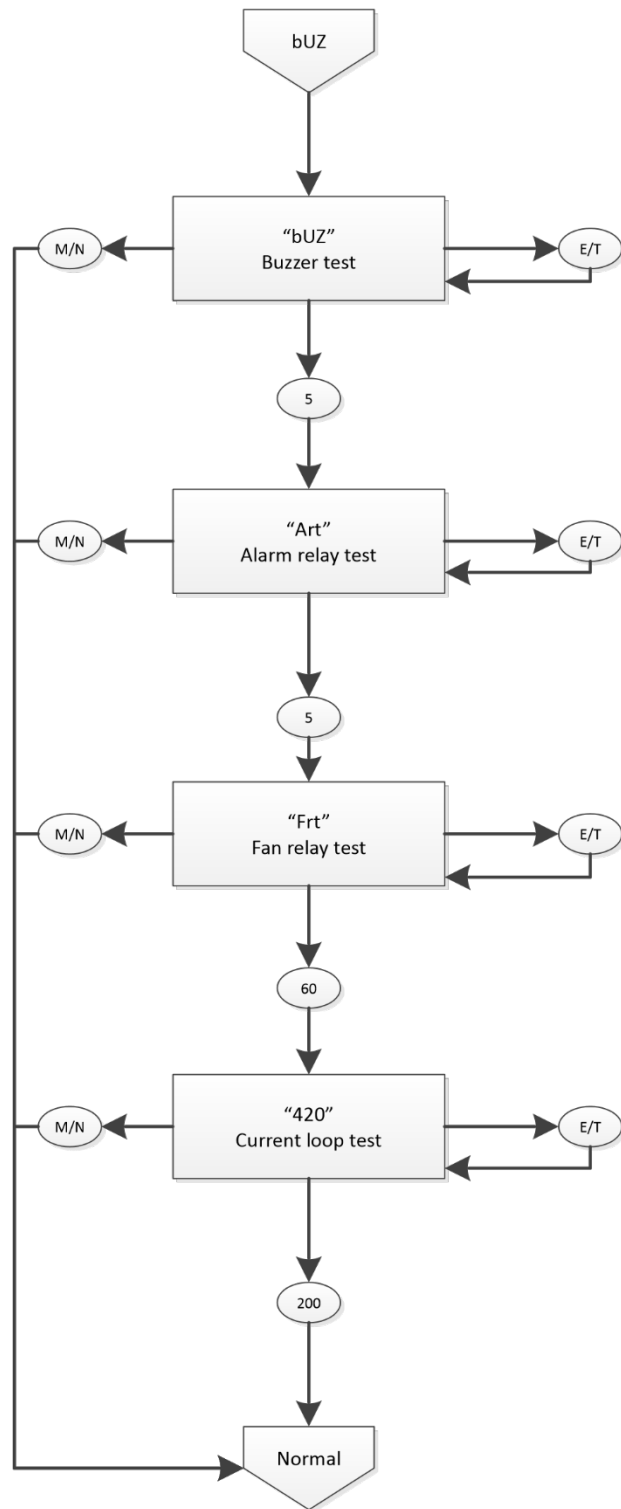
Figure 3-1 – 6-Series 4-20 mA Output diagram.....	8
Figure 3-2 – 6-Series Rear View.....	9
Figure 3-3 – 6-Series typical Standalone Installation	9
Figure 3-4 – 6-Series Multiple Device.....	10
Figure 3-5 – 6-Series Alarm Control Panel.....	10
Figure 3-6 – 6-Series DVP-120 Control Panel	11
Figure 3-7 – 6-Series Alternate Alarm Panel	11
Figure 3-8 – 6-Series Alarm Panel and Shutoff Valve Wiring	12
Figure 3-9 – 6-Series Horn & Strobe Combo Wiring.....	12
Figure 3-9 – 12-Series 4-20 mA Output.....	13
Figure 3-10 – 12-Series Rear View.....	14
Figure 3-11 – 12-Series Typical Standalone Installation.....	14
Figure 3-12 – 12-Series Use with Alarm Panel	15
Figure 3-13 – 12-Series DVP-120 Control Panel	15
Figure 3-14 – 12-Series Alternate Alarm Panel	16
Figure 3-15 – 12 Series Alarm Panel with Shutoff Valve	16
Figure 3-15 – 12-Series Horn & Strobe Combo Wiring.....	16
Table 4-1 – Default settings.....	20
Figure 4-1 – Board View	20
Figure 7-1 – Calibration Connection.....	30

9 Appendix B – Menu Structure

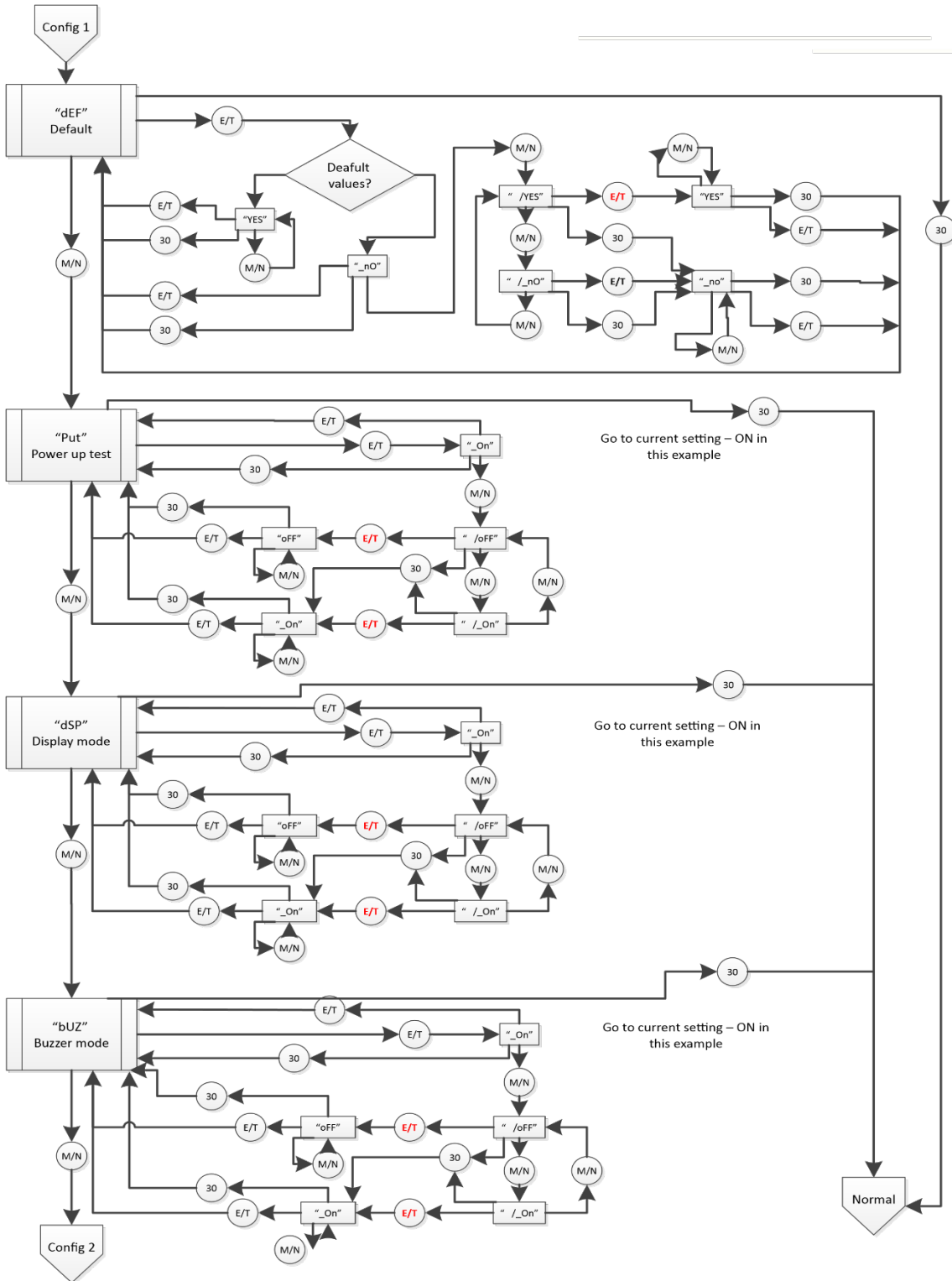
9.1 Main Menu

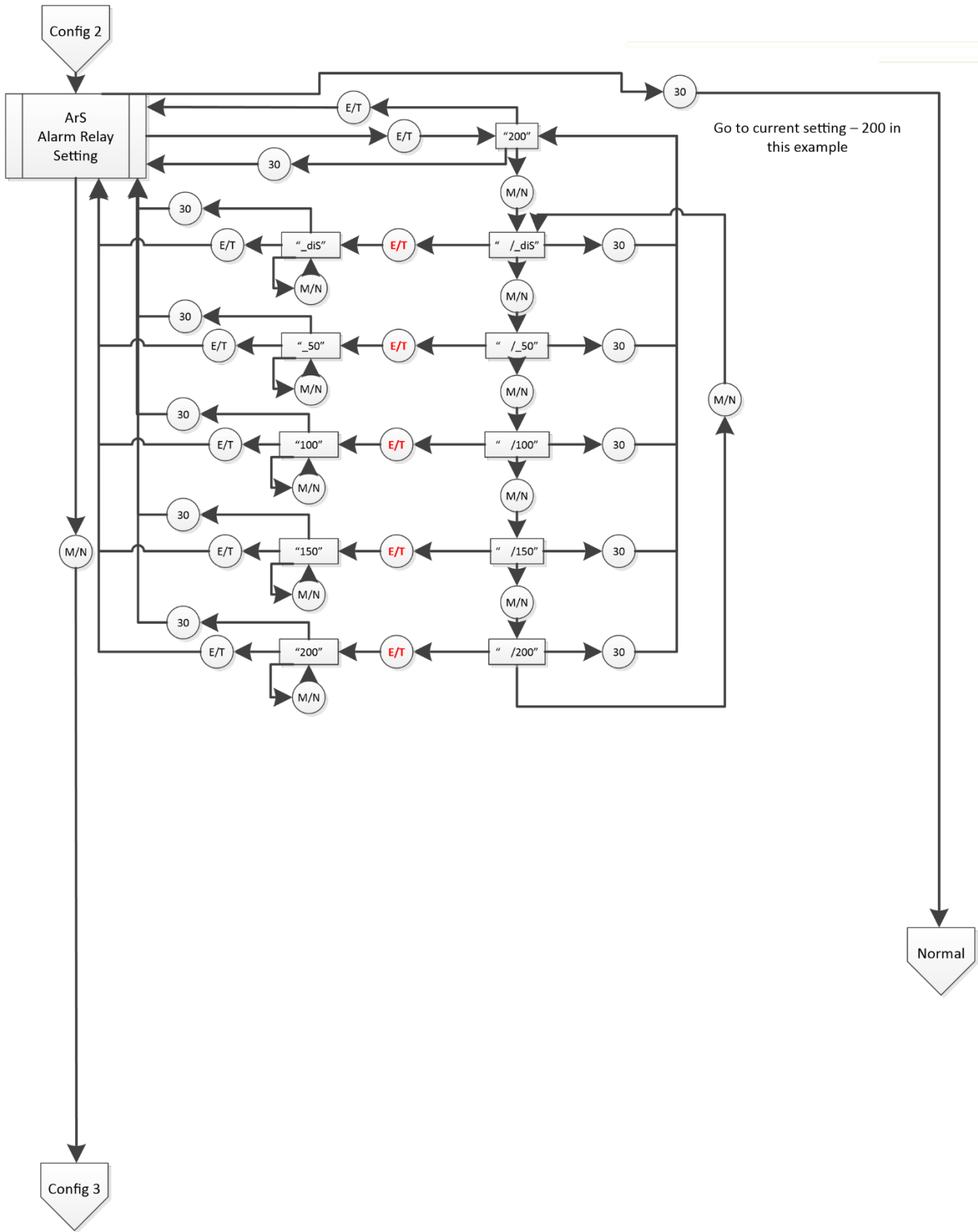


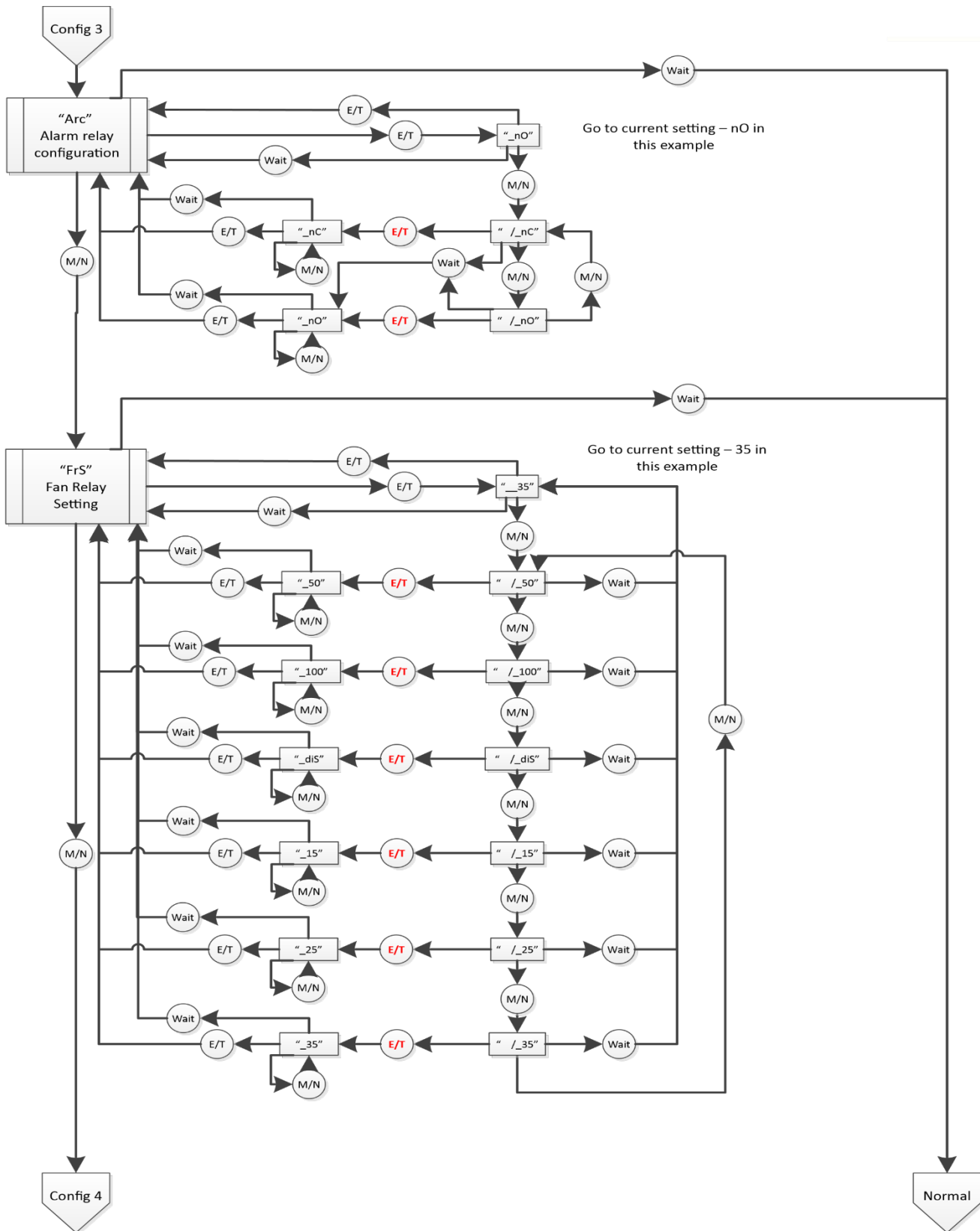
9.2 Auto Test Menu “bUZ”

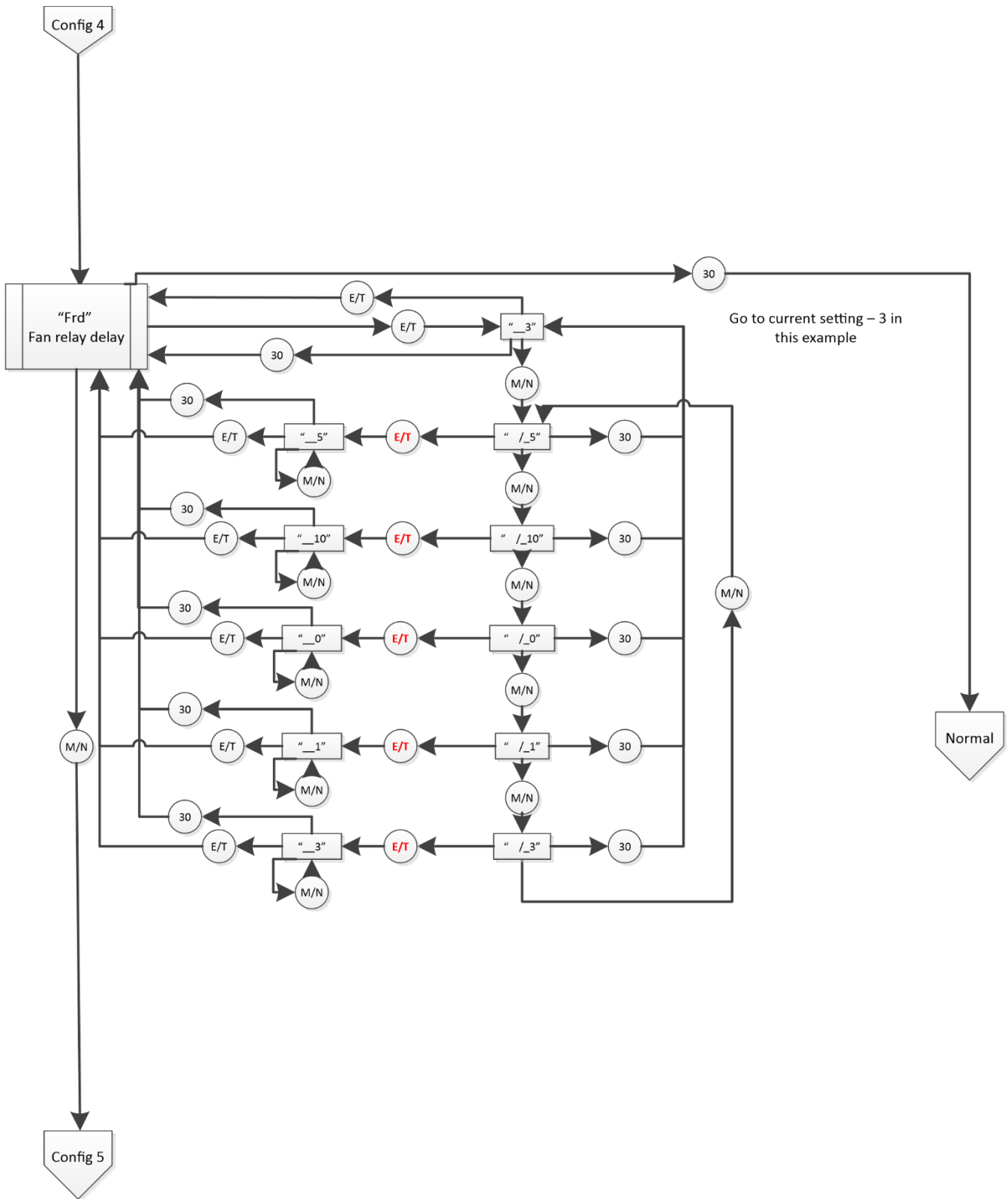


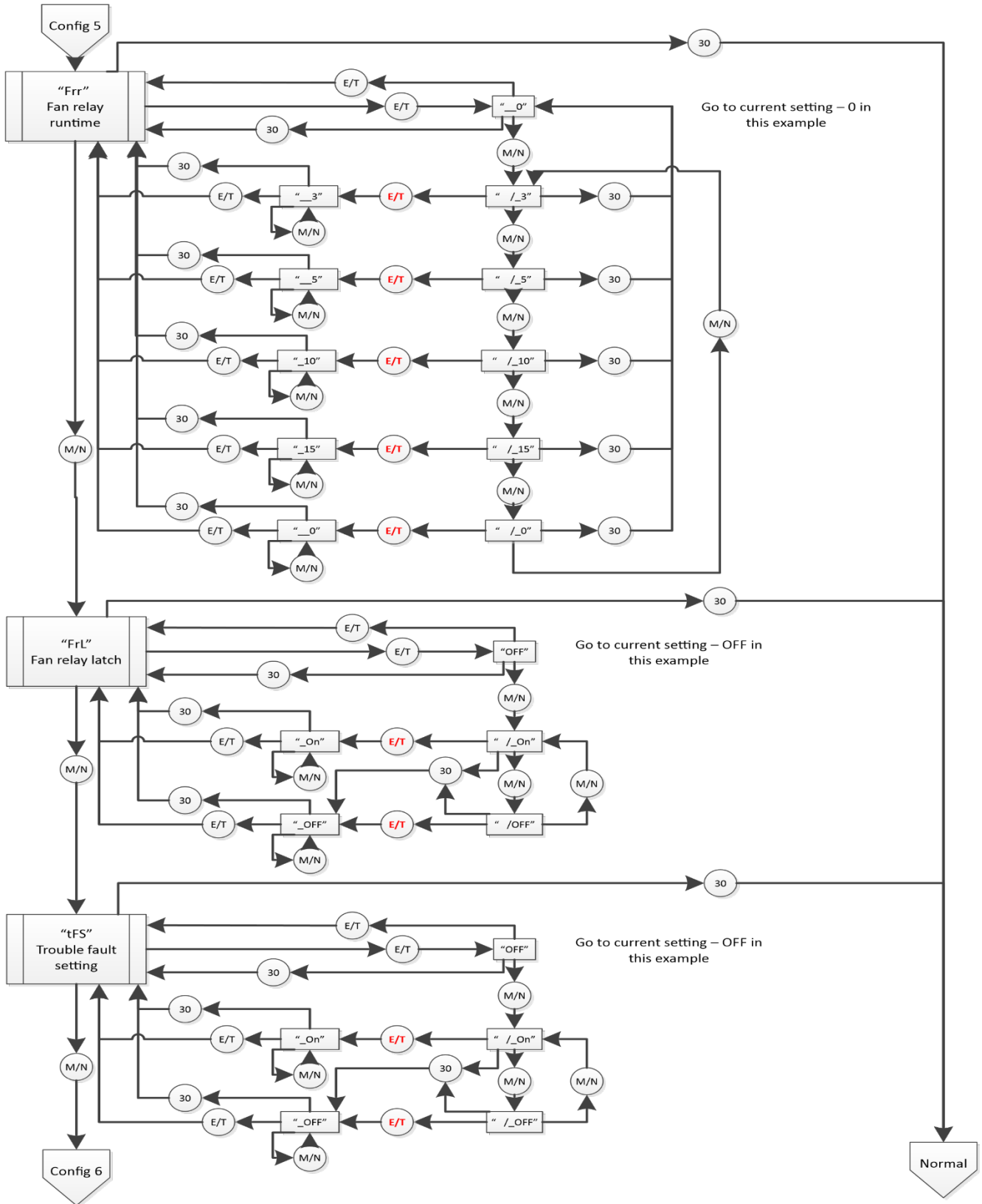
9.3 Configuration Menu "CON"

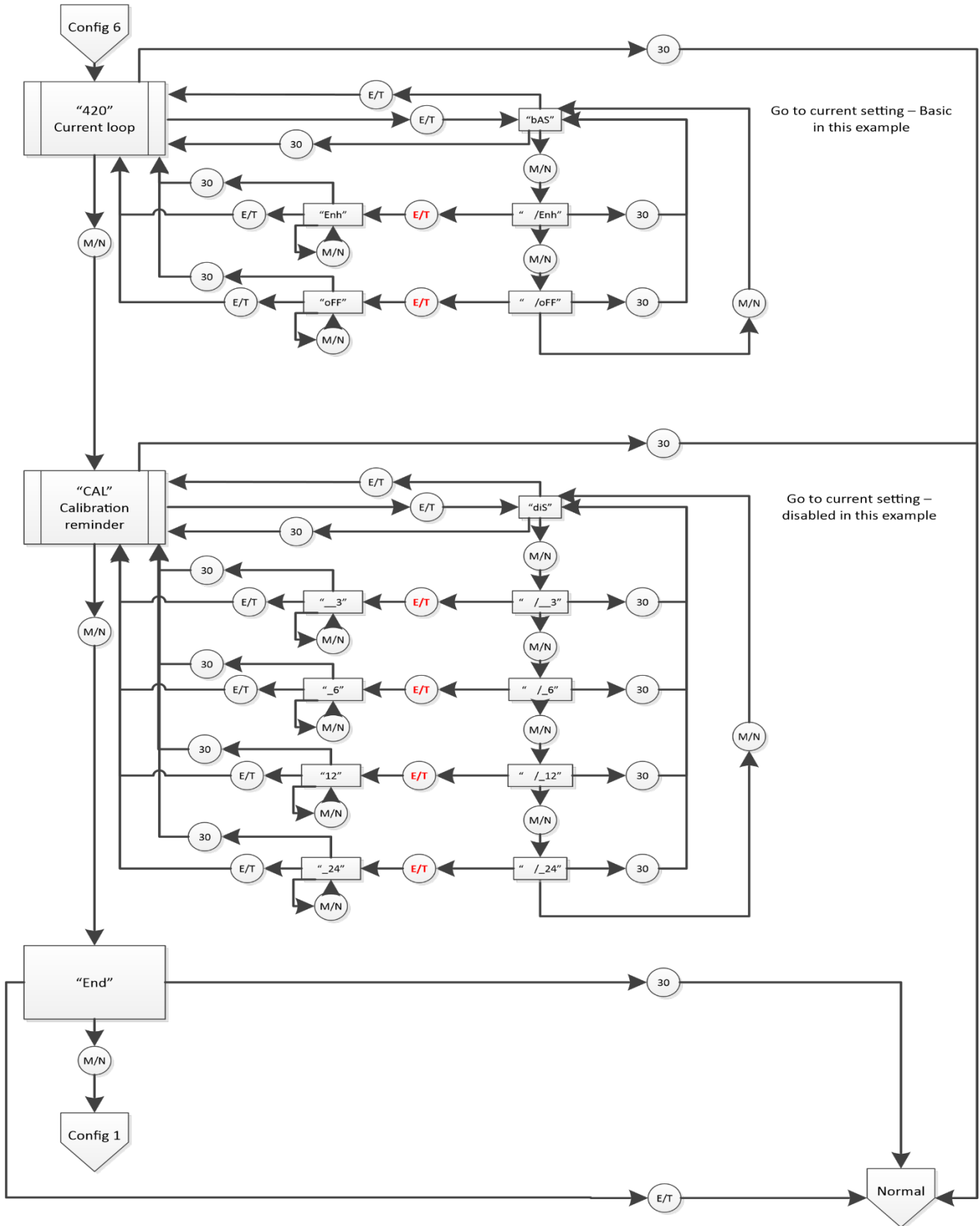




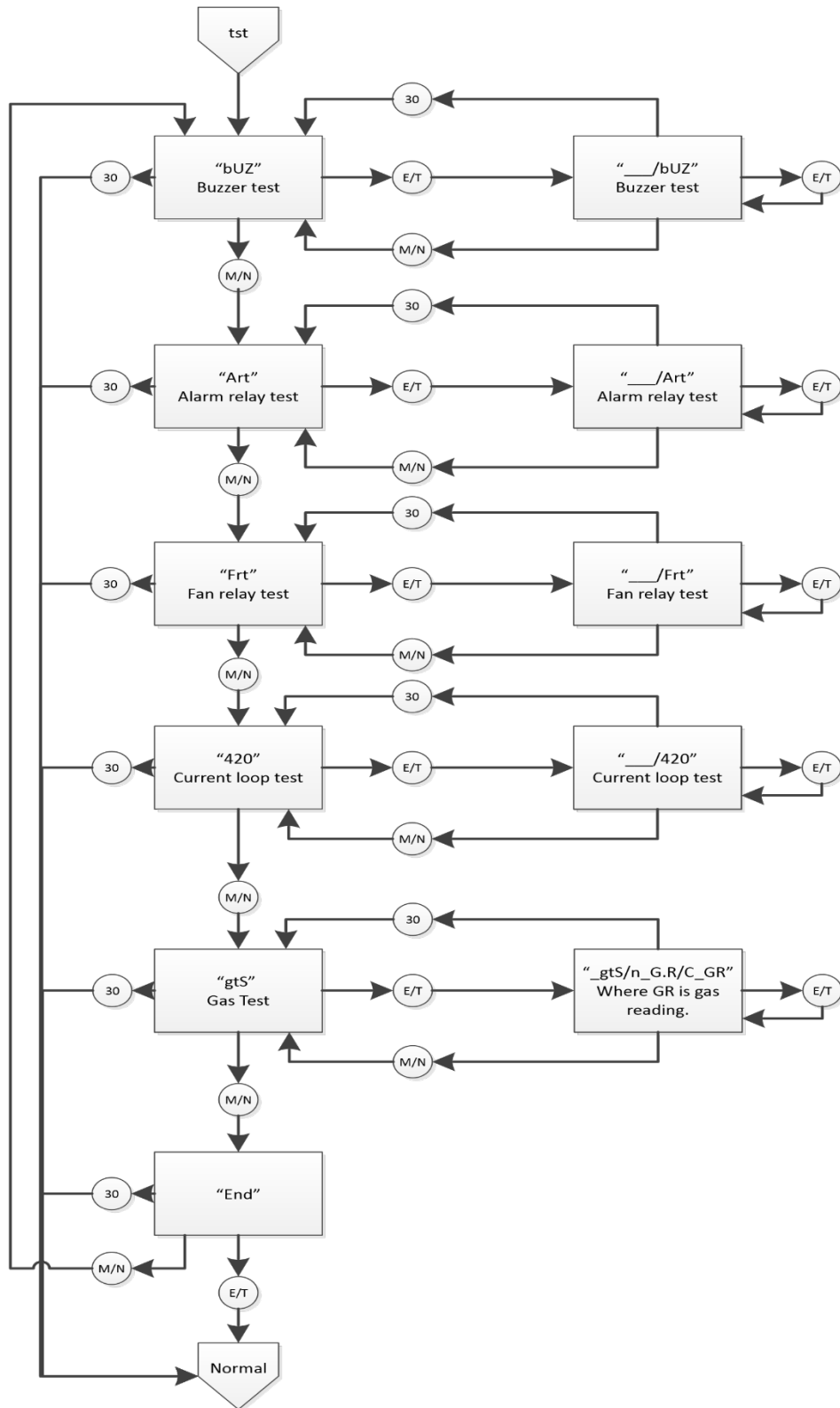




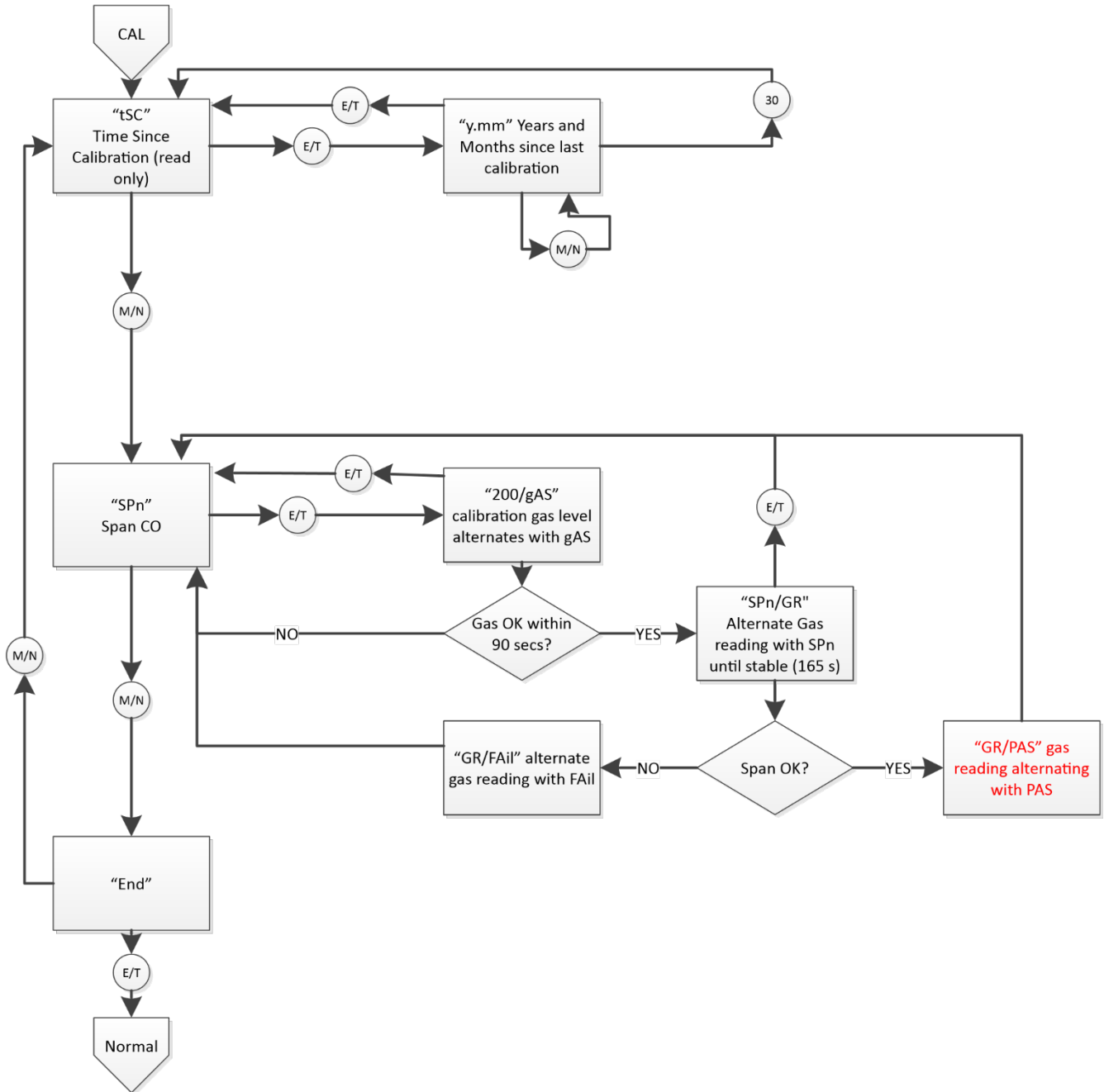




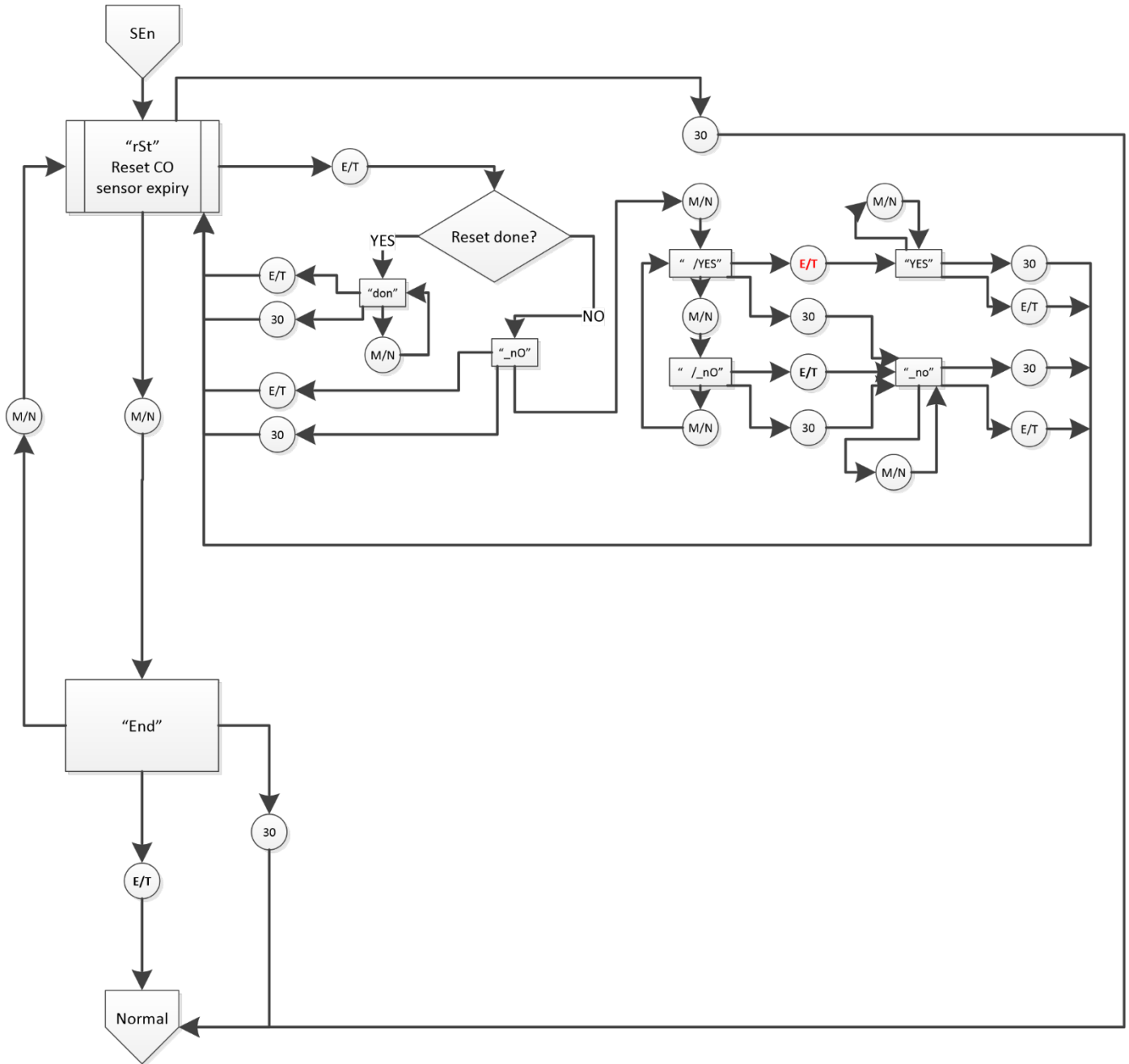
9.4 Select Test Menu "tst"



9.5 CAL Menu



9.6 Sensor Reset Menu “Sen”



10 Macurco Gas Detection Product limited warranty

Macurco warrants the GD-6 / GD-12 gas detector will be free from defective materials and workmanship for a period of two (2) years from the date of manufacture (indicated on inside cover of the GD-6 / GD-12), provided it is maintained and used in accordance with Macurco instructions and/or recommendations. If any component becomes defective during the warranty period, it will be replaced or repaired free of charge, if the unit is returned in accordance with the instructions below. This warranty does not apply to units that have been altered or had repair attempted, or that have been subjected to abuse, accidental or otherwise. The above warranty is in lieu of all other express warranties, obligations, or liabilities. THE IMPLIED WARRANTIES OF MERCHANTABILITY AND FITNESS FOR PARTICULAR PURPOSE ARE LIMITED TO A PERIOD OF TWO (2) YEARS FROM THE PURCHASE DATE. Macurco shall not be liable for any incidental or consequential damages for breach of this or any other warranty, express or implied, arising out of or related to the use of said gas detector. The manufacturer or its agent's liability shall be limited to replacement or repair as set forth above. Buyer's sole and exclusive remedies are the return of the goods and repayment of the price, or repair and replacement of non-conforming goods or parts.

Macurco Gas Detection

3601 N. St. Paul Avenue
Sioux Falls, SD 57104

Technical Support Contact Information

Phone: 1-844-325-3050
Fax: 1-605-951-9616
Email: support@macurco.com
Website: www.macurco.com/support

General Contact Information

Phone : 1-877-367-7891
Fax : 1-605-951-9616
Email: info@macurco.com
Website: www.macurco.com

REV – 1.0.1

Issue Date: 12-20-2021

Document No: 34-2900-0027-6

© Aerionics 2021. All rights reserved.

Macurco is a trademark of Aerionics, Inc.





Macurco™ GD-6 / GD-12

Détecteur de gaz de carburant

Manuel d'utilisation




IMPORTANT: Conservez ces instructions d'utilisation à titre de référence.

1	Renseignements généraux sur la sécurité.....	4
1.1	Liste des avertissements.....	4
2	Mode d’emploi et limitations.....	5
2.1	Utiliser pour.....	5
2.2	Ne pas utiliser pour.....	5
2.3	Caractéristiques de l'.....	6
2.4	Les spécifications.....	6
2.4.1	Basse tension de la série 6.....	6
2.4.2	Tension de ligne de la série 12.....	6
3	Mode d’emploi et d’installation.....	7
3.1	Emplacement de l’hôtel.....	7
3.2	L’installation.....	8
3.2.1	Basse tension de la série 6.....	8
3.2.2	Tension de ligne de la série 12.....	13
3.3	Connexion terminale.....	17
3.3.1	Basse tension de la série 6.....	17
3.3.2	Tension de ligne de la série 12.....	17
4	Opérations et opérations.....	19
4.1	Mise sous tension.....	19
4.2	Affichage activé.....	19
4.3	Affichage désactivé.....	19
4.4	Boucle de 4-20mA.....	20
4.5	Par défaut - Paramètres d’usine.....	20
4.5.1	Sélection de gaz.....	21
4.5.2	Sélection de la configuration par défaut - “dEF”.....	21
4.5.3	Réglage du test de mise sous tension - “PUt”.....	21
4.5.4	Paramètre d’affichage - “dSP”.....	21
4.5.5	Réglage de l’avertisseur sonore - bUZ.....	21
4.5.6	Réglage du relais d’alarme - “ArS”.....	21
4.5.7	Configuration du relais d’alarme - Arc.....	22
4.5.8	Réglage du relais du ventilateur - FrS.....	22
4.5.9	Réglage du retard du relais du ventilateur - FrD.....	22
4.5.10	Réglage minimal de l’exécution du relais du ventilateur - Frr.....	22
4.5.11	Réglage du verrouillage du relais du ventilateur - FrL.....	22
4.5.12	Réglage du ventilateur de dérangement - “tFS”.....	23
4.5.13	Réglage de sortie 4-20mA - “420”.....	23
5	Dépannage.....	24
5.1	Diagnostics à bord.....	24
5.1.1	Dépannage 4-20mA.....	24
5.1.2	Codes d’erreur “t”.....	24
5.2	Poisons de capteur.....	25
5.3	Signal de fin de vie.....	25
6	Entretien de l’équipement.....	26
6.1	Réinitialisation de la durée de vie du capteur.....	26

6.2	Le nettoyage	26
7	Les tests	27
7.1	Les tests	27
7.1.1	Test d'opération	27
7.1.2	Test d'utilisation manuelle	28
7.2	Trousses d'étalonnage et d'essai.....	28
7.3	Essais de gaz	30
7.3.1	Essai du relais de ventilateur	30
7.3.2	Test du relais d'alarme	31
7.3.3	Test de la boucle 4-20mA	31
7.4	Procédure d'étalonnage sur le terrain	32
7.4.1	Zéro le capteur.....	32
7.4.2	Étalonnage des données.....	32
8	Annexe A - Tableau des chiffres	33
9	Annexe B - Structure du menu	34
9.1	Menu principal.....	34
9.2	Menu test automatique "bUZ"	35
9.3	Menu de configuration "CON"	36
9.4	Sélectionnez menu test "tst"	42
9.5	CAL Menu	43
9.6	Menu de réinitialisation du capteur "Sen"	44
10	Macurco Gas Detection Product garantie limitée	45
	Coordonnées du support technique	45
	Coordonnées générales	45

1 Renseignements généraux sur la sécurité

1.1 Liste des avertissements

 AVERTISSEMENT (en)
Chaque personne utilisant cet équipement doit lire et comprendre les informations contenues dans ce manuel d'utilisation avant de l'utiliser. L'utilisation de cet équipement par des personnes non formées ou non qualifiées ou une utilisation qui n'est pas conforme à ce manuel d'utilisation peut nuire à la performance du produit.
Utiliser uniquement pour surveiller le gaz que le capteur et le moniteur sont conçus pour détecter. Le non-respect de cette mesure peut entraîner des expositions à des gaz non détectables et causer des blessures graves, voire mortelles. Pour une utilisation appropriée, consultez le superviseur ou le manuel d'utilisation, ou communiquez avec le service d'assistance technique au 1-844-325-3050.
Cet équipement peut ne pas fonctionner efficacement en dessous de 0°F ou au-dessus de 125°F (-18°C ou au-dessus de 52°C). L'utilisation du détecteur à l'extérieur de cette plage de température peut nuire à la performance du produit.
Ce détecteur aide à surveiller la présence et le niveau de concentration d'un certain gaz aéroporté spécifié. Une mauvaise utilisation peut produire une lecture inexacte, ce qui signifie que des niveaux plus élevés du gaz surveillé peuvent être présents et entraîner une surexposition et causer des blessures graves ou la mort. Pour une utilisation appropriée, consultez le superviseur ou le manuel d'utilisation, ou communiquez avec le service d'assistance technique au 1-844-325-3050.
Les bornes à haute tension (120/240 VCA) sont situées à l'intérieur de ce détecteur, ce qui présente un danger pour les techniciens d'entretien. Seuls des techniciens qualifiés doivent ouvrir le boîtier du détecteur et faire l'entretien des circuits internes. Assurez-vous que l'alimentation est hors tension des relais du détecteur avant d'entretenir l'appareil. Le non-respect de cette mesure peut entraîner un choc électrique.
Ne démontez pas l'appareil et n'essayez pas de réparer ou de modifier un composant de cet appareil. Cet instrument ne contient aucune pièce pouvant être mise en service par l'utilisateur, et la substitution de composants peut nuire aux performances du produit.
L'utilisation d'un gaz certifié dont la concentration est autre que celle indiquée pour ce détecteur lors d'un test de vérification de l'étalonnage (essai de bosses) produira des lectures inexactes. Cela signifie que des niveaux plus élevés du gaz surveillé peuvent être présents et entraîner une surexposition. Pour une utilisation appropriée, consultez le superviseur ou le manuel d'utilisation, ou communiquez avec le service d'assistance technique au 1-844-325-3050.
Les étapes suivantes doivent être effectuées lors d'un test de vérification de l'étalonnage (essai de bosse) afin d'assurer le bon fonctionnement du moniteur. Le non-respect de cette mesure peut nuire à la performance du produit. <ul style="list-style-type: none">• Lors d'un test de vérification d'étalonnage (essai de bosses), n'utiliser que du gaz d'étalonnage certifié au niveau de concentration requis.• Ne pas tester avec du gaz d'étalonnage expiré.• Ne pas couvrir ou obstruer l'écran ou le couvercle de l'alarme visuelle.• Assurez-vous que les entrées des capteurs ne sont pas obstruées et exemptes de débris Le non-respect des instructions décrites dans ce manuel d'utilisation peut entraîner la maladie ou la mort.

2 Mode d'emploi et limitations

Le GD-6 est un détecteur de gaz combustible à double relais à basse tension et un contrôleur de ventilation automatique. Le GD-6 utilise un système électronique contrôlé par micro-ordinateur pour mesurer la concentration de gaz combustibles, actionner les relais et fournir une sortie de 4 à 20 mA. Le GD-6 est fourni avec un capteur de pellistor à faible entretien (5 ans et plus) et des trousse d'essai et d'étalonnage de gaz en option. Le GD-6 est un compteur de bas niveau capable d'afficher de 0 à 50 % de LEL de gaz combustible.

AVERTISSEMENT (en)

Chaque personne utilisant cet équipement doit lire et comprendre les informations contenues dans ce manuel d'utilisation avant de l'utiliser. L'utilisation de cet équipement par des personnes non formées ou non qualifiées ou une utilisation qui n'est pas conforme à ce manuel d'utilisation peut nuire à la performance du produit.

REMARQUE : Les détecteurs de gaz combustibles réagiront à un large éventail d'hydrocarbures, y compris les aérosols, les solvants de nettoyage, les diluants à peinture et d'autres articles ménagers courants. Soyez attentif aux autres hydrocarbures près du détecteur avant de présumer que l'appareil est faux alarmant ou défectueux.

2.1 Utiliser pour

Le GD-6 fournit la détection de gaz combustible et le ventilateur d'échappement automatique, la persienne ou le contrôle de valve pour des équipements d'entretien des véhicules à moteur, des garages fermés de stationnement, des salles de service, des salles de batterie, des entrepôts avec des chariots élévateurs à fourche et d'autres applications commerciales. Le GD-6 peut être utilisé seul, avec le panneau de contrôle de détection et de ventilation Macurco DVP-120, d'autres panneaux d'incendie et de sécurité 12 VAC ou 24 VDC ou des systèmes d'automatisation des bâtiments.

AVERTISSEMENT (en)

Utiliser uniquement pour surveiller le gaz que le capteur et le moniteur sont conçus pour détecter. Le non-respect de cette mesure peut entraîner des expositions à des gaz non détectables et causer des blessures graves, voire mortelles. Pour une utilisation appropriée, consultez le superviseur ou le manuel d'utilisation, ou communiquez avec le service d'assistance technique au 1-844-325-3050.

2.2 Ne pas utiliser pour

Le GD-6 n'est pas conçu pour être utilisé dans des endroits dangereux ou des applications industrielles telles que des raffineries, des usines chimiques, etc. Ne pas monter le GD-6 lorsque la température ambiante normale est inférieure à 0°F ou supérieure à 125°F (-18°C ou supérieure à 52°C). Le GD-6 se monte sur une boîte électrique de type 4S fournie par l'entrepreneur. N'installez pas le GD-6 à l'intérieur d'une autre boîte à moins qu'il ait une bonne circulation d'air à travers elle.

AVERTISSEMENT (en)

Cet équipement peut ne pas fonctionner efficacement en dessous de 0°F ou au-dessus de 125°F (-18°C ou au-dessus de 52°C). L'utilisation du détecteur à l'extérieur de cette plage de température peut nuire à la performance du produit.

2.3 Caractéristiques de l'

- ETL énumérés à UL 61010-1 et CAN/CSA C22.2 No 61010-1
- Compteur de bas niveau capable d'afficher de 0-50% LEL
- Gaz cible sélectionnable – Méthane (mE), Propane (Pro) ou Hydrogène (Hy)
- Activation sélectionnable du ventilateur et du relais d'alarme
- 5 Un relais de ventilateur SPDT contrôle les démarreurs des ventilateurs d'échappement
- 0,5 Un relais d'alarme N.O. ou N.C. se connecte à des dispositifs d'avertissement ou à des panneaux de contrôle
- Boucle de courant de 4-20 mA
- GD-6 se monte sur une boîte électrique 4x4 standard et devient couverture pour la boîte
- Système supervisé : tout problème de détecteur interne fera en sorte que le ventilateur et le relais d'alarme s'activeront
- Le kit d'étalonnage est disponible. Une vis permet l'accès pour l'étalonnage ou l'essai de gaz

2.4 Les spécifications

- Poids d'expédition: 1 livre (0,45 kg)
- Taille: 4 1/2 x 4 x 2 1/8 po (11,4 X 11,4 X 5,3 cm)
- Couleur: Gris foncé
- Connexions: prises/bornes
- Boîte de montage: (non inclus) 4x4 électrique
- Relais de ventilateur : 5 A, 240 VAC, service pilote, SPDT, verrouillage ou non verrouillable
- Actionnement du relais du ventilateur: sélectionnable à diS (désactiver) 3, 4, 5, 6, 7, 8, 9, 10 (par défaut), 11, 12, 13, 14, 15, 16, 17, 18, 19, 20% LEL
- Réglages de retard du ventilateur de 0, 1, 3 (par défaut), 5 et 10 minutes
- Les paramètres de durée minimale du ventilateur sont de 0 (par défaut), 3, 5, 10 ou 15 minutes
- Verrouillage du relais du ventilateur ou non verrouillable (par défaut) sélectionnable
- Relais d'alarme: 0,5 A 120 V, 60 VA
- Actionnement du relais d'alarme: n.o. sélectionnable par défaut ou N.C.
- Paramètres du relais d'alarme: diS, 5, 10, 15, 20 (par défaut), 25% LEL
- Boucle actuelle, 4-20 mA pour 0-50% LEL, sélectionnable à off ou on (par défaut)
- Avertisseur sonore: 85 dBA à 10cm settable à off (par défaut) ou sur
- Affichage numérique: DEL à 3 chiffres sélectionnable à off (par défaut) ou en cours d'arrêt.
- Environnement d'exploitation: 0 ° F à 125 ° F (-18 ° C à 52 ° C). 10 à 90% HR sanscondensation

2.4.1 Basse tension de la série 6

- Puissance: 3 W (max) de 12 à 24 VAC ou 12 à 48 VDC
- Courant @ 24VDC: 75 mA en alarme (deux relais), 50 mA (relais du ventilateur seulement) et 23 mA en position libre

2.4.2 Tension de ligne de la série 12

- Puissance: 100-240VAC (50 À 60 HZ)
- Courant: 1.0 A MAX

3 Mode d'emploi et d'installation

Les instructions suivantes sont destinées à servir de ligne directrice pour l'utilisation du détecteur de gaz combustible Macurco GD-6. Il ne doit pas être considéré comme tout compris et ne vise pas non plus à remplacer la politique et les procédures de chaque installation. Si vous avez des doutes quant à l'applicabilité de l'équipement à votre situation, consultez un hygiéniste industriel ou appelez le Service technique au 844-325-3050.

AVERTISSEMENT (en)

Ce détecteur aide à surveiller la présence et le niveau de concentration d'un certain gaz aéroporté spécifié. Une mauvaise utilisation peut produire une lecture inexacte, ce qui signifie que des niveaux plus élevés du gaz surveillé peuvent être présents et entraîner une surexposition et causer des blessures graves ou la mort. Pour une utilisation appropriée, consultez le superviseur ou le manuel d'utilisation, ou communiquez avec le service d'assistance technique au 1-844-325-3050.

3.1 Emplacement de l'hôtel

Une hauteur de montage GD-XX dépend du gaz cible.

- Si le gaz cible est plus léger que l'air; méthane (NG) ou hydrogène (H2), monter le GD-6 haut sur un mur ou une colonne (environ un pied plus bas du plafond) dans une zone centrale où le mouvement de l'air est généralement bon. Si le gaz cible est plus lourd que l'air; propane (LP), installez le GD-6 bas sur un mur ou une colonne (environ un pied au-dessus du plancher) dans une zone centrale où le mouvement de l'air est généralement bon. •

L'unité peut, en moyenne, couvrir environ 900 pieds carrés (84 mètres carrés) à 1257 pieds carrés (117 mètres carrés). La couverture dépend du mouvement de l'air à l'intérieur de la pièce ou de l'installation. Des détecteurs supplémentaires peuvent être nécessaires près de tous les endroits où les gens travaillent ou où l'air stagne. Certains des facteurs qui influent sur la zone de couverture sont le type d'application, les aires de travail et les mouvements du personnel, la taille de la pièce, le mouvement de l'air, la menace potentielle, l'emplacement de montage, ainsi que d'autres facteurs propres au site qui doivent être pris en considération. Veuillez vérifier les réglementations ou exigences locales avant l'installation. Le GD-6 se monte sur une boîte électrique 4x4 fournie par l'entrepreneur. N'installez pas le GD-6 à l'intérieur d'une autre boîte à moins qu'il ait une bonne circulation d'air à travers elle. Ne pas monter le GD-6 lorsque la température ambiante normale est inférieure à 0°F ou supérieure à 125°F (inférieure à -18C ou supérieure à 52C).°

AVERTISSEMENT (en)

Les bornes à haute tension (120/240 VCA) sont situées à l'intérieur de ce détecteur, ce qui présente un danger pour les techniciens d'entretien. Seuls des techniciens qualifiés doivent ouvrir le boîtier du détecteur et faire l'entretien des circuits internes. Assurez-vous que l'alimentation est hors tension des relais du détecteur avant d'entretenir l'appareil. Le non-respect de cette mesure peut entraîner un choc électrique.

3.2 L'installation

3.2.1 Basse tension de la série 6

1. Le GD-6 se monte sur une boîte électrique carrée de 4 po (ou 4 x 4 po) fournie par l'entrepreneur. Ne montez pas le GD-6 à l'intérieur d'une autre boîte, à moins qu'il ait une bonne circulation d'air à travers elle.
2. Branchez le GD-6 à l'alimentation de classe 2 seulement. Il est suggéré d'utiliser un transformateur distinct pour alimenter l'unité ou les unités en raison d'interférences possibles provenant d'autres appareils sur la même alimentation.
3. Branchez le GD-6 aux câbles de commande à l'aide de fiches de bornes. Lorsque vous faites des connexions, assurez-vous que l'alimentation est coupée.
4. Il y a deux bornes pour power: 12 à 24 VAC ou 12 à 48 VDC, sans préférence de polarité.
5. Il y a deux bornes pour les contacts secs de relais d'alarme, encore une fois sans la préférence de polarité. Le relais d'alarme peut passer jusqu'à 0,5 A 120 V ou 60 VA. Le relais d'alarme est activé si le gaz atteint ou dépasse les paramètres d'alarme. Consultez la section FONCTIONNEMENT de ces instructions d'utilisation pour plus de détails sur les paramètres de relais.
6. Le relais d'alarme peut être configuré pour s'ouvrir normalement (par défaut) (N.O.) ou normalement fermé (N.C.) et s'activera si la concentration de gaz dépasse le point de réglage de l'alarme. Il se désactivera une fois que la concentration de gaz descend sous le point de mise en alarme. Notez que le réglage de désactivation fera en sorte que le relais d'alarme ne s'enclenchera pas du tout.
7. Le contact sec, relais de ventilateur de SPDT a trois bornes. Le contact commun (COM.), normalement ouvert (N.O.) et normalement fermé (N.C.). Le relais du ventilateur peut passer jusqu'à 5,0 A jusqu'à 240 VCA. Consultez la section FONCTIONNEMENT de ces instructions d'utilisation pour plus de détails sur les paramètres de relais.
8. Le relais du ventilateur peut être configuré pour le verrouillage ou le non-verrouillage (par défaut) lorsqu'il est activé (lorsque la concentration de gaz dépasse le point de réglage du relais du ventilateur). Une fois verrouillé, l'alimentation devra être interrompue ou le bouton "TEST" appuyé pour débrancher l'état du relais.
9. Le relais du ventilateur s'enclenche si la concentration de gaz combustible du ventilateur est dépassée pendant plus longtemps que le temps de retard du relais du ventilateur. À moins qu'il ne soit configuré pour le verrouillage, le relais du ventilateur se désengagera une fois que les deux conditions auront été remplies :
 - a. La concentration de gaz combustibles est tombée sous le réglage du ventilateur
 - b. Le temps d'exécution du relais du ventilateur a été dépassé

Notez que le réglage de désactivation du ventilateur fera en sorte que le relais du ventilateur ne s'enclenchera pas. Le relais du ventilateur s'enclenchera en état de panne (si l'option de réglage du ventilateur de dérangement est réglée sur "ON") et se désengagera une fois que l'état de défaut de panne sera effacé.

10. La boucle de courant est de 4 mA dans l'air pur et de 4-20 mA pour 0-50% LEL

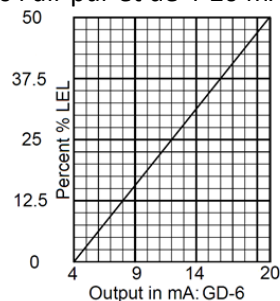


Figure 3-1 - 6-Sereis 4-20 mA Diagramme de sortie

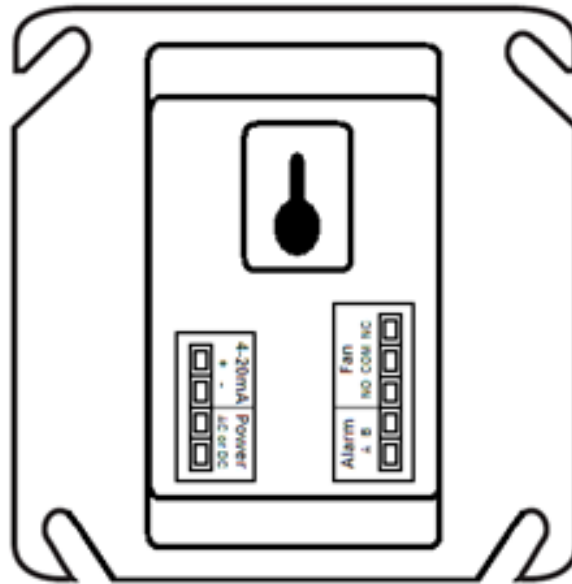


Figure 3-2 - Vue arrière de la série 6

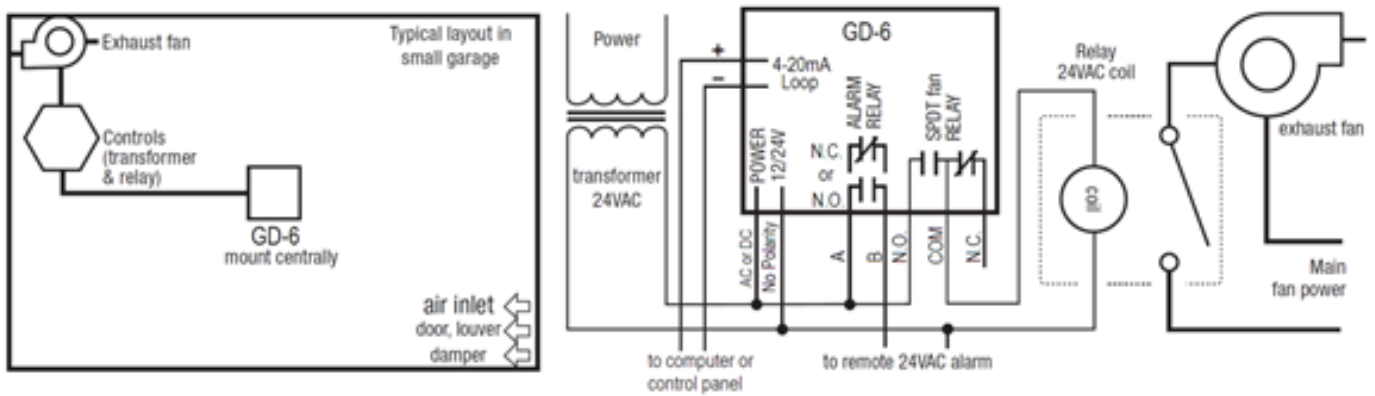


Figure 3-3 - Installation autonome typique de la série 6

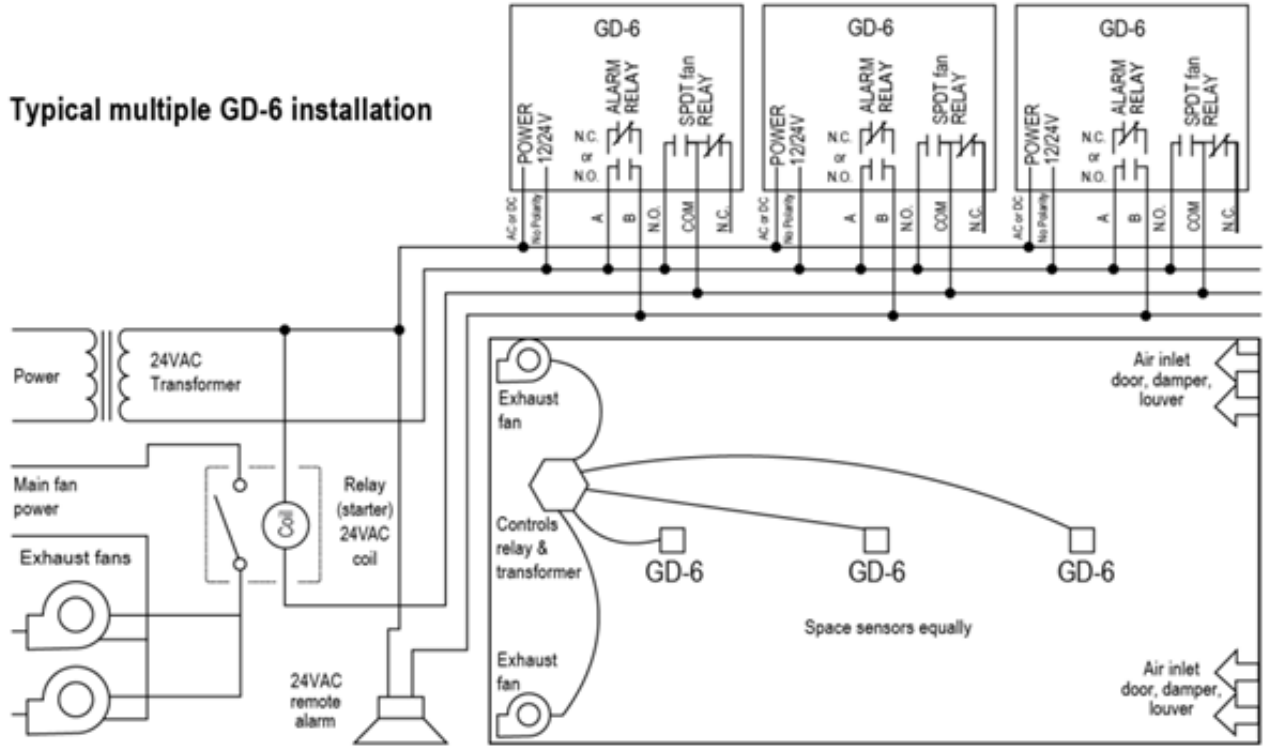


Figure 3-4 - Appareil multiple de la série 6

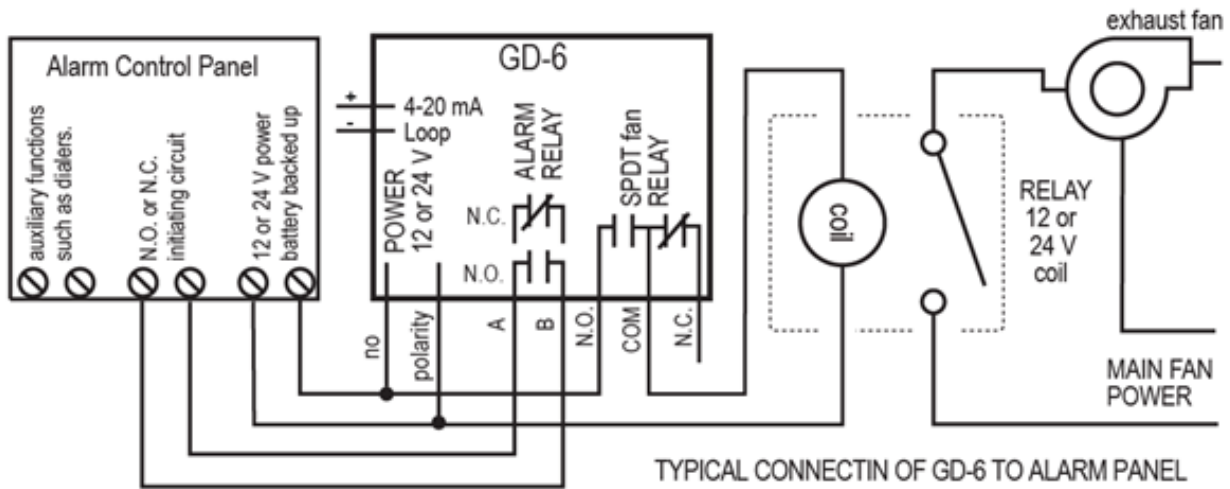


Figure 3-5 - Panneau de contrôle d’alarme de la série 6

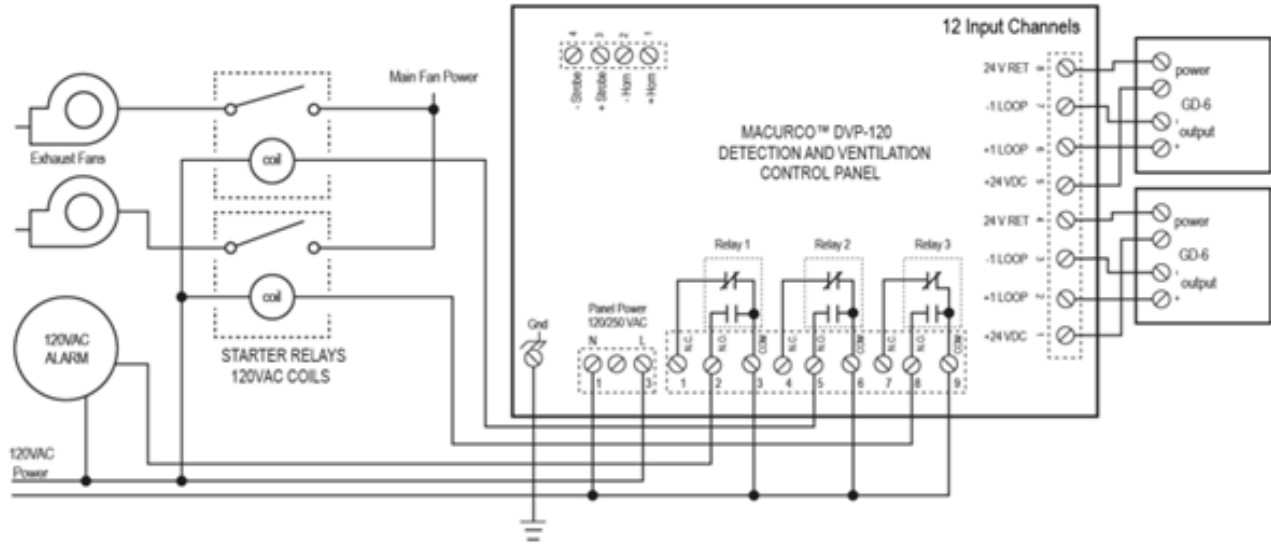


Figure 3-6 - Panneau de contrôle DVP-120 série 6

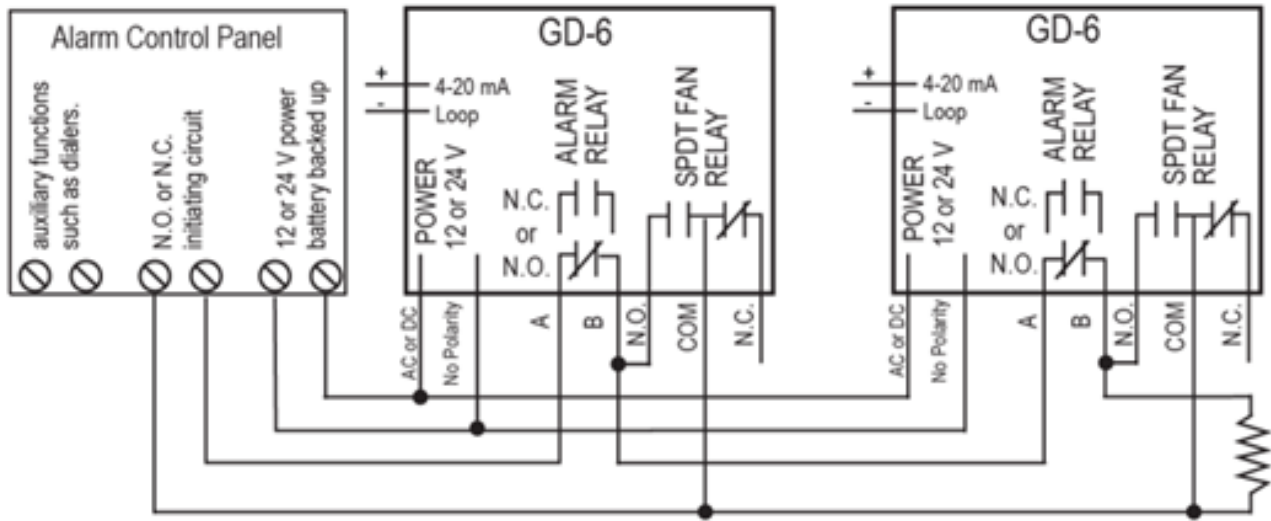


Figure 3-7 - Panneau d’alarme alternatif série 6

Dans cette application (ci-dessus), le ventilateur ou le relais primaire est utilisé comme relais d’alarme de bas niveau. L’alarme ou le relais secondaire est utilisé comme relais de supervision lorsqu’il est utilisé dans la configuration normalement fermée. Le GD-6 surveille toutes les fonctions critiques de l’appareil grâce à des diagnostics logiciels qui testent et vérifient continuellement ses opérations. Si un problème est constaté, l’appareil passera en mode de sécurité ou d’erreur ou en état de panne. Dans ce mode d’erreur, les relais Ventilateur* et Alarme seront activés indiquant l’état de problème au panneau et l’affichage GD-6 clignotera l’erreur. *Voir l’option de réglage du ventilateur de dérangement.

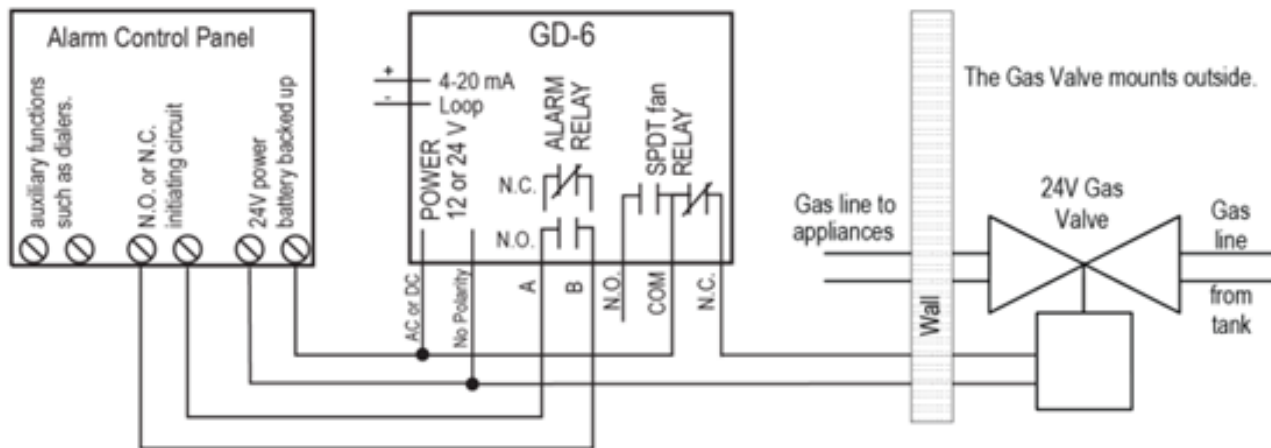


Figure 3-8 – Panneau d’alarme de la série 6 et câblage du robinet d’arrêt

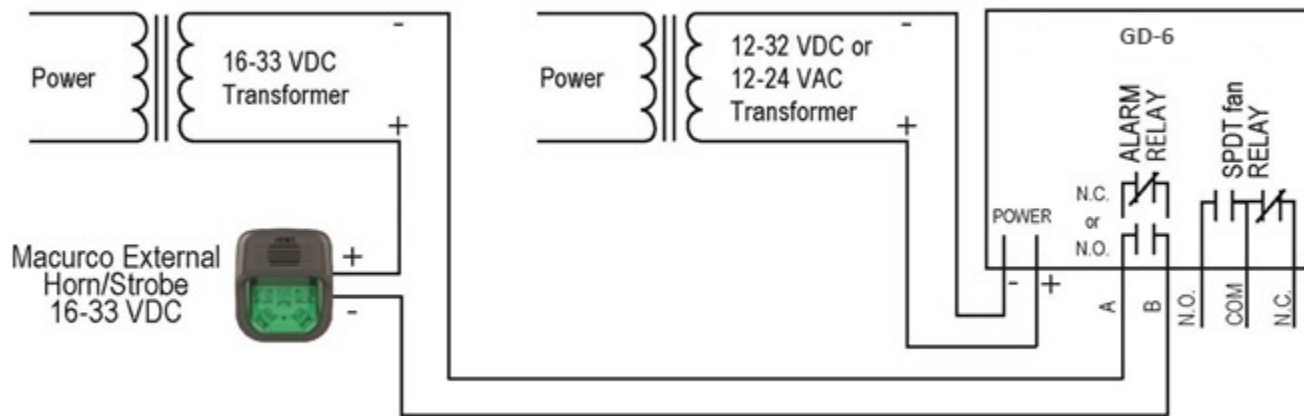


Figure 3-9 – Câblage combiné corne et stroboscope de la série 6

3.2.2 Tension de ligne de la série 12

1. Le GD-12 se monte sur une boîte électrique carrée de 4 po (ou 4 x 4 po) fournie par l'entrepreneur. Ne montez pas le GD-12 à l'intérieur d'une autre boîte, à moins qu'il ait une bonne circulation d'air à travers elle.
2. Il y a deux bornes pour les contacts secs de relais d'alarme, encore une fois sans la préférence de polarité. Le relais d'alarme peut passer jusqu'à 0,5 A 120 V ou 60 VA. Le relais d'alarme est activé si le gaz atteint ou dépasse les paramètres d'alarme. Consultez la section FONCTIONNEMENT de ces instructions d'utilisation pour plus de détails sur les paramètres de relais.
3. Le relais d'alarme peut être configuré pour s'ouvrir normalement (par défaut) (N.O.) ou normalement fermé (N.C.) et s'activera si la concentration de gaz dépasse le point de réglage de l'alarme. Il se désactivera une fois que la concentration de gaz descend sous le point de mise en alarme. Notez que le réglage de désactivation fera en sorte que le relais d'alarme ne s'enclenchera pas du tout.
4. Le contact sec, relais de ventilateur de SPDT a trois bornes. Le contact commun (COM.), normalement ouvert (N.O.) et normalement fermé (N.C.). Le relais du ventilateur peut passer jusqu'à 5,0 A jusqu'à 240 VCA. Consultez la section FONCTIONNEMENT de ces instructions d'utilisation pour plus de détails sur les paramètres de relais.
5. Le relais du ventilateur peut être configuré pour le verrouillage ou le non-verrouillage (par défaut) lorsqu'il est activé (lorsque la concentration de gaz dépasse le point de réglage du relais du ventilateur). Une fois verrouillé, l'alimentation devra être interrompue ou le bouton "TEST" appuyé pour débrancher l'état du relais.
6. Le relais du ventilateur s'enclenche si la concentration de gaz combustible du ventilateur est dépassée pendant plus longtemps que le temps de retard du relais du ventilateur. À moins qu'il ne soit configuré pour le verrouillage, le relais du ventilateur se désengagera une fois que les deux conditions auront été remplies :
 - La concentration de gaz combustibles est tombée sous le réglage du ventilateur
 - Le temps d'exécution du relais du ventilateur a été dépasséNotez que le réglage de désactivation du ventilateur fera en sorte que le relais du ventilateur ne s'enclenchera pas. Le relais du ventilateur s'enclenchera en état de panne (si l'option de réglage du ventilateur de dérangement est réglée sur "ON") et se désengagera une fois que l'état de défaut de panne sera effacé.
7. La boucle de courant est de 4 mA dans l'air pur et de 4-20 mA pour 0-50% LEL

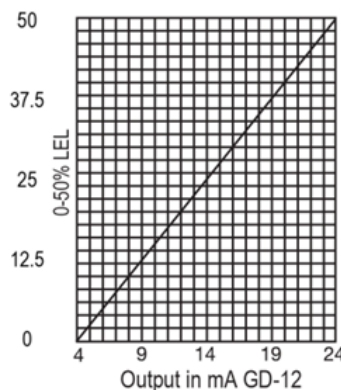


Figure 3-9 - Sortie 12 séries 4-20 mA

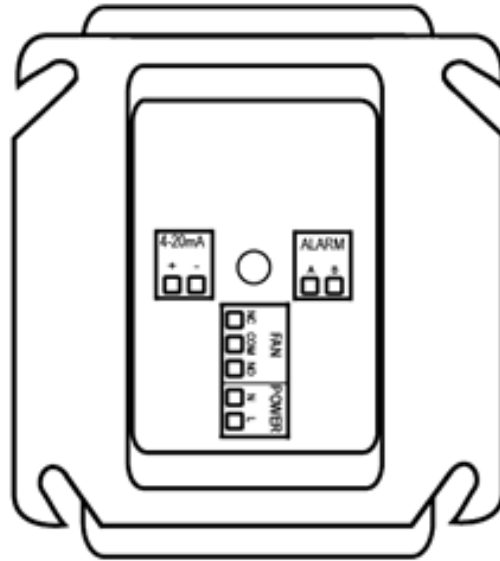


Figure 3-10 - Vue arrière de la série 12

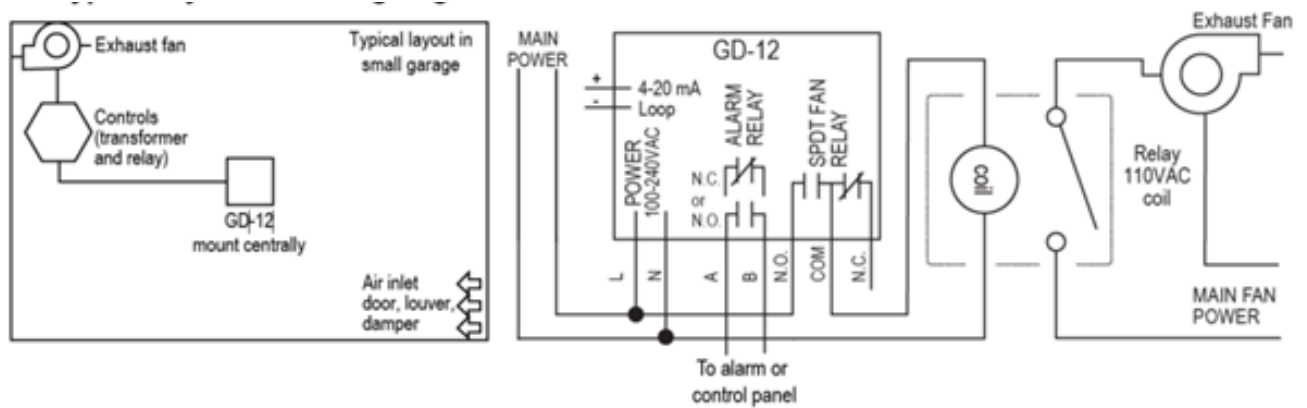


Figure 3-11 – 12-Series Typique Autonome Installation

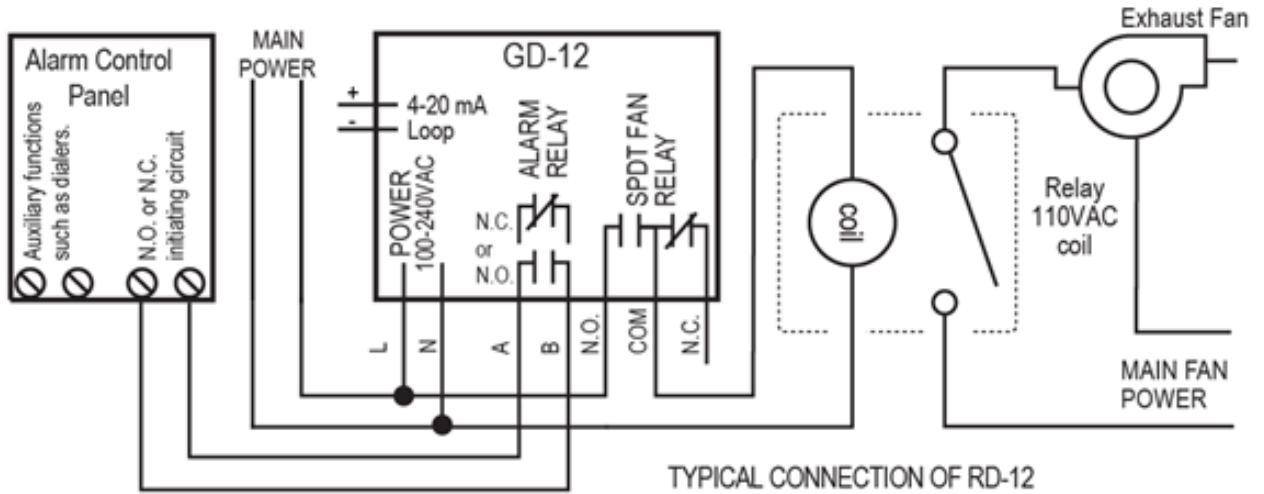


Figure 3-12 - Utilisation de la série 12 avec panneau d'alarme

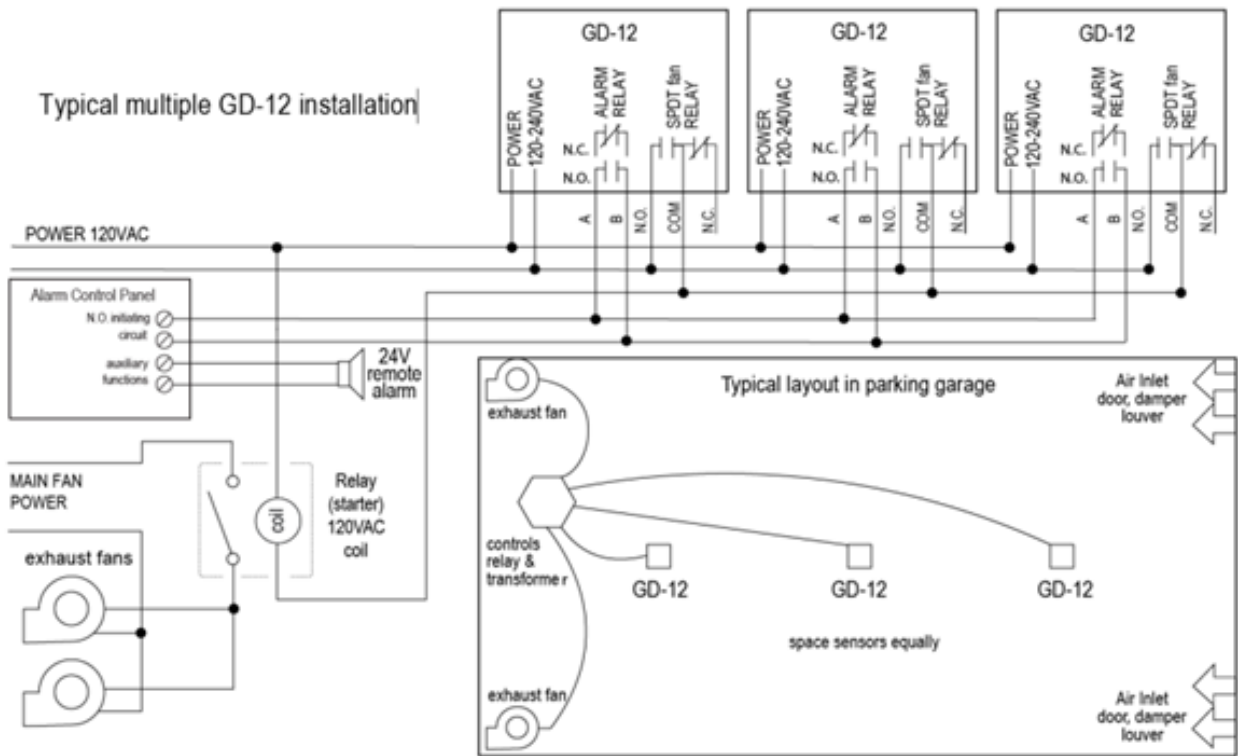


Figure 3-13 - Panneau de contrôle DVP-120 de la série 12

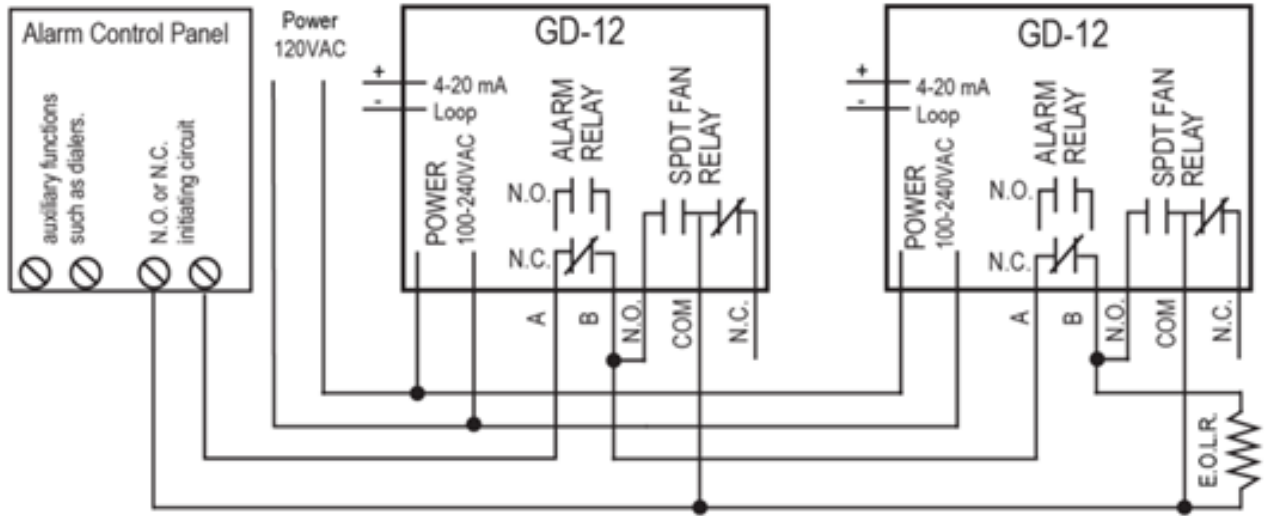


Figure 3-14 – Panneau d’alarme alternatif de la série 12

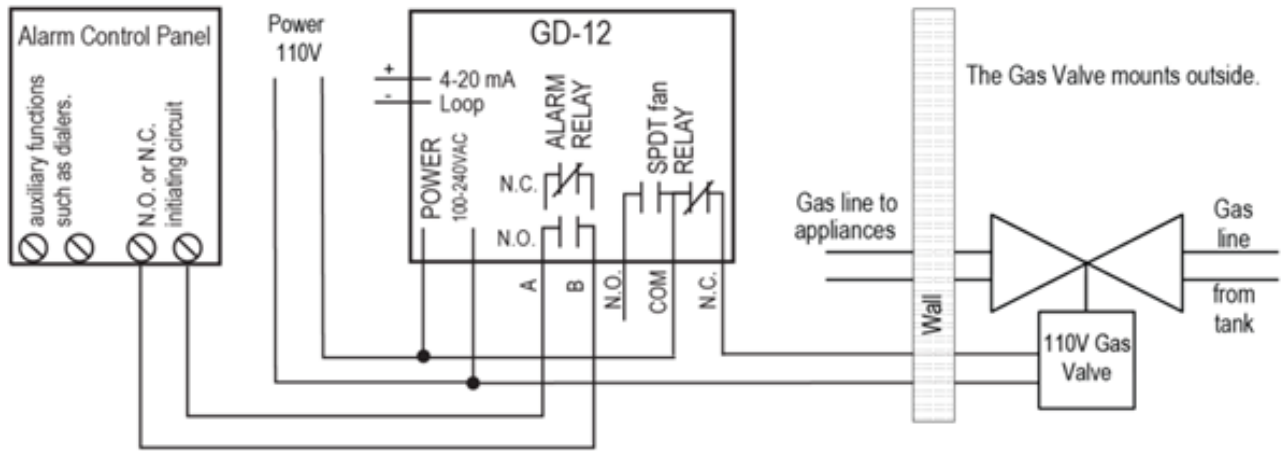


Figure 3-15 – Panneau d’alarme de la série 12 avec robinet d’arrêt

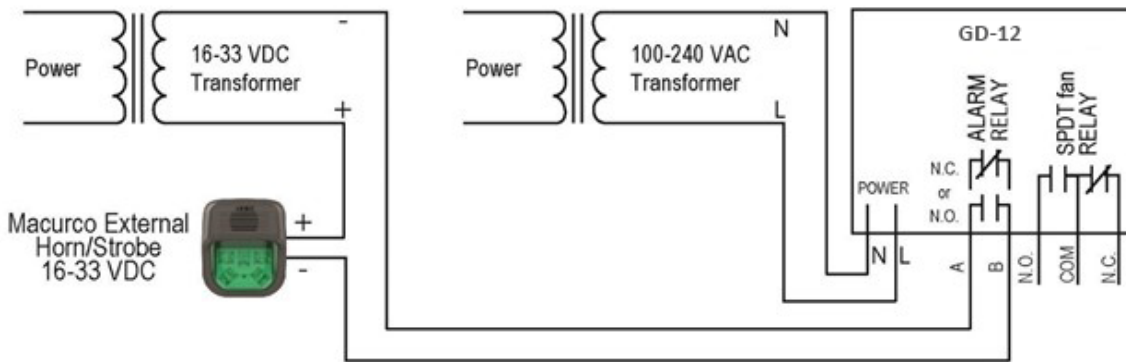


Figure 3-15 – Câblage combiné corne et stroboscope de la série 12

3.3 Connexion terminale

3.3.1 Basse tension de la série 6

À l'exception de la terre de sécurité, tout le câblage sur le terrain est complété par des connecteurs modulaires (fournis). Après le câblage, il suffit de brancher les connecteurs modulaires dans les connecteurs correspondants à l'arrière du détecteur.

NOTE: 22 à 12 fils AWG doivent être utilisés. Le fil utilisé doit respecter la plage de température du détecteur, c'est-à-dire de 0°F à 125°F (-18°C à 52°C).

3.3.1.1 Connexion d'alimentation secteur

Brancher le GD-6 à l'alimentation de classe 2 seulement. Il est suggéré d'utiliser un transformateur distinct pour alimenter l'unité ou les unités en raison d'interférences possibles provenant d'autres appareils sur la même alimentation. Branchez le GD-6 aux câbles de commande à l'aide de fiches de bornes. Lorsque vous faites des connexions, assurez-vous que l'alimentation est coupée. Il y a deux bornes pour power: 12 à 24 VAC ou 12 à 32 VDC, sans préférence de polarité

Assurez-vous que le fil ne peut pas être facilement tiré du connecteur. Branchez la connexion modulaire dans la connexion ventilateur/alimentation et assurez-vous qu'elle se verrouille correctement dans l'en-tête.

3.3.1.2 Connexion au relais du ventilateur

Toutes les bornes de relais du ventilateur SPDT sont disponibles sur le connecteur modulaire Ventilateur/Alimentation. Chaque borne de relais du ventilateur normalement ouverte, commune et normalement fermée (NO, COM et NC) peut accueillir un fil de 12 à 22 AWG. Pour installer le câblage des relais, débranchez le connecteur de l'en-tête. Dénuder l'isolant de chaque fil d'environ 6,5 mm (1/4 po), insérer le fil nu dans la borne et serrer la pince à vis. Assurez-vous que le fil ne peut pas être facilement tiré du connecteur. Branchez la connexion modulaire dans la connexion ventilateur/alimentation et assurez-vous qu'elle se verrouille correctement dans l'en-tête.

3.3.1.3 Connexion de relais d'alarme

Les connexions d'alarme externes (A et B) sont disponibles sur le connecteur modulaire Alarm. Il n'y a pas de polarité pour ces connexions. Pour installer le câblage des contacts d'alarme, débranchez le connecteur de l'en-tête du détecteur. Dénuder l'isolant de chaque fil d'environ 6,5 mm (1/4 po), insérer le fil nu dans la borne et serrer la pince à vis. Assurez-vous que le fil ne peut pas être facilement tiré du connecteur. Lorsque les fils sont connectés, le connecteur modulaire dans l'en-tête garantit que le loquet

3.3.1.4 Connexion de signal de 4 à 20 mA

Les connexions de signal positives et négatives de 4-20mA (+ et -) sont disponibles au connecteur modulaire 4-20mA, un connecteur à 2 positions. Pour installer le câblage des contacts de 4 à 20 mA, débranchez le connecteur de l'en-tête du détecteur. Dénuder l'isolant de chaque fil d'environ 6,5 mm (1/4 po), insérer le fil nu dans la borne et serrer la pince à vis. Assurez-vous que le fil ne peut pas être facilement tiré du connecteur. Lorsque les fils sont connectés, le connecteur modulaire dans l'en-tête garantit que le loquet

3.3.2 Tension de ligne de la série 12

À l'exception de la terre de sécurité, tout le câblage sur le terrain est complété par des connecteurs modulaires (fournis). Après le câblage, il suffit de brancher les connecteurs modulaires dans les connecteurs correspondants à l'arrière du détecteur.

3.3.2.1 Connexion d'alimentation

Les branchements doivent être effectués conformément aux codes électriques nationaux et locaux. Seul le personnel qualifié doit brancher l'alimentation secteur à n'importe quel appareil. Macurco recommande une taille de fil minimale d'AWG18 et l'isolant de fil doit être évalué pour un service de 140 °F (60 °C). Le connecteur modulaire acceptera le fil de 12 à 24 AWG.

Le fil de mise à la terre de sécurité doit être fixé à la vis de mise à la terre de la boîte électrique métallique. Serrez la vis et assurez-vous que le fil est bien serré. Assurez-vous que le fil ne peut pas être retiré de sous la vis.

Les fils Line (L) et Neutral (N) doivent être dépouillés de 1/4 po (6,5 mm), insérer le fil dans les positions de fil “L” et “N” du connecteur modulaire ventilateur/alimentation et serrer la pince à vis. Assurez-vous que le fil ne peut pas être facilement tiré du connecteur. Branchez la connexion modulaire dans la connexion ventilateur/alimentation et assurez-vous qu’elle se verrouille correctement dans l’en-tête.

3.3.2.2 Connexion au relais du ventilateur

Toutes les bornes de relais du ventilateur SPDT sont disponibles sur le connecteur modulaire Ventilateur/Alimentation. Chaque borne de relais de ventilateur normalement ouverte, commune et normalement fermée (NO, COM et NC) peut accueillir un fil de 12 à 24 AWG. Pour installer le câblage des relais, débranchez le connecteur de l’en-tête. Dénuder l’isolant de chaque fil d’environ 6,5 mm (1/4 po), insérer le fil nu dans la borne et serrer la pince à vis. Assurez-vous que le fil ne peut pas être facilement tiré du connecteur. Branchez la connexion modulaire dans la connexion ventilateur/alimentation et assurez-vous qu’elle se verrouille correctement dans l’en-tête.

3.3.2.3 Connexion de relais d’alarme

Les connexions d’alarme externes (A et B) sont disponibles sur le connecteur modulaire Alarm. Il n’y a pas de polarité pour ces connexions. Pour installer le câblage des contacts d’alarme, débranchez le connecteur de l’en-tête du détecteur. Dénuder l’isolant de chaque fil d’environ 6,5 mm (1/4 po), insérer le fil nu dans la borne et serrer la pince à vis. Assurez-vous que le fil ne peut pas être facilement tiré du connecteur. Lorsque les fils sont connectés, placez le connecteur modulaire dans l’en-tête en vous assurant que le loquet s’enclenche.

3.3.2.4 4-20 mA Connexion de signal

Les connexions de signal positives et négatives de 4-20mA (+ et -) sont disponibles au connecteur modulaire 4-20mA, un connecteur à 2 positions. Pour installer le câblage des contacts de 4 à 20 mA, débranchez le connecteur de l’en-tête du détecteur. Dénuder l’isolant de chaque fil d’environ 6,5 mm (1/4 po), insérer le fil nu dans la borne et serrer la pince à vis. Assurez-vous que le fil ne peut pas être facilement tiré du connecteur. Lorsque les fils sont connectés, placez le connecteur modulaire dans l’en-tête en vous assurant que le loquet s’enclenche.

REMARQUE: Les sorties de boucle de courant de 4 à 20 mA peuvent être utilisées avec le panneau de contrôle Macurco DVP-120 ou d’autres systèmes. Les connexions de signal de 4-20mA aux détecteurs doivent être de taille AWG18 (minimum) pour les courtes séries. Consultez le tableau pour les jauges de fil recommandées. Ne pas regrouper les connexions de signal du détecteur 4-20mA avec des câbles d’alimentation secteur pour éviter les interférences électriques. Si les connexions d’alimentation ca doivent être fournies avec les câbles de signalisation du détecteur 4-20mA, les connexions de signal doivent être effectuées avec une paire torsadée du calibre approprié, avec une feuille d’aluminium et un écran de tresse. Tous les écrans doivent être terminés à l’extrémité DVP-120 du câble seulement. Un montant au sol est fourni près du coin inférieur gauche du panneau DVP-120.

4 Opérations et opérations

4.1 Mise sous tension

Le GD-6 passe par un cycle d'autotest interne pendant la première minute où il est alimenté. L'appareil exécutera le cycle d'essai chaque fois que l'alimentation est tombée et réappliquée (c.-à-d. panne de courant). Pendant le cycle d'autotest, l'appareil affichera le numéro de version du microprogramme, puis compte à rebours de 60 à 0 (si le réglage d'affichage est "Allumé") et sera finalement mis en service normal. Le relais d'alarme sera activé pendant 10 secondes et le relais du ventilateur pendant 60 secondes pendant le cycle de mise sous tension, sauf si l'option "Power Up Test" (PUt) est désactivée. Le témoin lumineux (DEL) clignotera en vert pendant le cycle d'auto-test. À la fin du cycle d'une minute, l'appareil prélèvera son premier échantillon d'air et le témoin lumineux deviendra vert.

4.2 Affichage activé

Air pur – Lorsque la fonction d'affichage est activée, le GD-xx indique la concentration actuelle de gaz combustible en % LEL ou 0,0po (zéro) dans l'air pur.

Niveau du ventilateur – Lorsque la concentration de gaz atteint le réglage du relais du ventilateur(10,0, par exemple), l'affichage clignotera d'avant en arrière entre "FAn" et "10.0" ou la concentration actuelle de gaz.

Niveau d'alarme – Lorsque la fonction d'affichage est activée et que la concentration de gaz atteint le réglage du relais d'alarme(20,0 %, par exemple), l'affichage clignotera d'avant en arrière entre "ALr" et "20,0" ou la concentration actuelle de gaz. L'avertisseur sonore sonnera en indiquant "Alarme" si l'avertisseur sonore est allumé.

Problème – Lorsque la fonction d'affichage est activée et que l'appareil est en état de problème, l'affichage affiche le code d'erreur t (t01, par exemple). Si le réglage du ventilateur de dérangement est activé, le relais du ventilateur s'allume en activant le relais. Voir section [4.5.11 Réglage du ventilateur de dérangement - "tFS" et la section 5.1.2 "t" Codes d'erreur](#) et

Étalonnage en raison- Lorsque la fonctionnalité période d'étalonnage est activée, si un détecteur se trouve dans un délai d'un mois à partir de la période d'étalonnage, l'affichage clignotera d'avant en arrière entre la lecture du gaz dUE et la lecture actuelle du gaz. Calibration Due n'est résolu qu'avec un étalonnage réussi sur le terrain.

4.3 Affichage désactivé

Air pur – Lorsque la fonction d'affichage est désactivée, l'affichage n'indique pas la concentration de gaz. Seul le témoin lumineux d'alimentation allumé s'allume.

Niveau du ventilateur – Lorsque la concentration de gaz atteint le réglage du relais du ventilateur(10,0, par exemple), l'affichage indique "FAn" en continu tant que le relais du ventilateur est activé. Cela apparaît comme clignotant lentement "FAn".

Niveau d'alarme – Lorsque la fonction d'affichage est désactivée, l'affichage n'indique pas la concentration de gaz, mais indique "ALr" lorsque le relais d'alarme est activé.

Problème – Lorsque la fonction d'affichage est désactivée et que l'appareil est en état de problème, l'affichage affiche le code d'erreur t (t01, par exemple). Si le réglage du ventilateur de dérangement est activé, le relais du ventilateur s'allume en activant le relais. Voir la section [4.5.11 Réglage du ventilateur de dérangement – "tFS"](#) et la section [5.1.2 "t" Codes d'erreur](#).

Étalonnage en raison- Lorsque la fonctionnalité période d'étalonnage est activée, si un détecteur se trouve dans un délai d'un mois à partir de la période d'étalonnage, l'affichage indique continuellement "dUE". Calibration Due n'est résolu qu'avec un étalonnage réussi sur le terrain.

4.4 Boucle de 4-20mA

Les paramètres de 4 à 20 mA sélectionnés pour 'bAS' ou 'EnH' sont considérés comme étant la fonction 4-20mA activée.

Air pur – Lorsque la fonction 4-20 mA est activée et que la concentration actuelle de gaz est de 0,0(zéro), la boucle de 4 à 20 mA produit 4 mA.

Lecture du gaz – Lorsque la fonction 4-20 mA est activée, la sortie se lit entre 4 mA et 20 mA selon la concentration actuelle de méthane, de propane ou d'hydrogène.

Problème – Lorsque la fonction 4-20 mA est activée et que le réglage du ventilateur de dérangement est activé. La boucle de 4-20mA produit 1 mA ou 24 mA selon l'état de la difficulté. Voir la [section 5.1 Diagnostics à bord](#).

4.5 Par défaut - Paramètres d'usine

Mise en place:	Valeur par défaut:
Le gaz	mE (méthane)
Test de mise sous tension	Le
Affichage de l'écran	Arrêt de la
Avertisseur sonore	Arrêt de la
Réglage du relais d'alarme	20% lel
Configuration du relais d'alarme	Normalement ouvert (NO)
Réglage du relais du ventilateur	10% lel
Retard de relais de ventilateur	3 minutes (en)
Temps d'exécution minimum de relais de ventilateur	0 minutes (en)
Verrouillage du relais du ventilateur	Arrêt de la
Réglage du ventilateur de dérangement	Arrêt de la
4 à 20 mA	Le

Tableau 4-1 - Paramètres par défaut

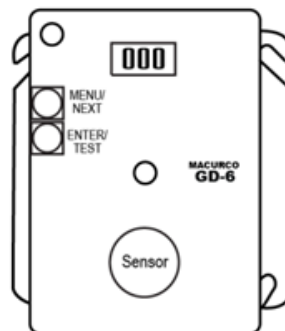


Figure 4-1 - Vue du conseil d'administration

4.5.1 Sélection de gaz

Pour sélectionner l'option Gaz, en mode normal, appuyez une fois sur le bouton Suivant pour afficher la sélection actuelle du gaz (**mE est** Méthane, **Pro** est Propane et **Hy** est Hydrogène). Appuyez ensuite deux fois sur le bouton Entrée pour entrer dans le menu de sélection. Le gaz actuellement sélectionné sera affiché à l'écran. Appuyez sur Suivant pour faire défiler les sélections de gaz disponibles. Le gaz sélectionné clignotera, appuyez sur Entrée pour sélectionner le gaz et Entrez à nouveau pour confirmer la sélection. Pour revenir en mode normal, appuyez sur Suivant jusqu'à ce que la fin s'affiche et appuyez sur Entrée.

4.5.2 Sélection de la configuration par défaut - "dEF"

Pour sélectionner la configuration par défaut, en mode normal, appuyez deux fois sur le bouton Suivant pour vous rendre à Con ou au menu Configuration. Appuyez ensuite sur le bouton Entrée pour entrer dans le menu Con. La première sélection est le paramètre dEF ou Default. Appuyez sur Entrée. S'il est déjà en configuration par défaut, il n'y aura pas d'action. S'il n'est pas déjà en configuration par défaut, nO s'affiche. Appuyez sur Suivant pour le changer en yES (clignotant), puis appuyez sur Entrée pour confirmer le changement (solide) et appuyez de nouveau sur Entrée pour revenir à "dEF" dans le menu Con. Appuyez sur Suivant jusqu'à ce que la touche "Fin" s'affiche, puis appuyez sur Entrée pour revenir au fonctionnement normal.

4.5.3 Réglage du test de mise sous tension - "PUt"

Pour sélectionner la configuration du test de mise sous tension, en mode normal, appuyez deux fois sur le bouton Suivant pour vous rendre à Con ou au menu Configuration. Appuyez ensuite sur le bouton Entrée pour entrer dans le menu Con. Appuyez ensuite sur le bouton Suivant pour obtenir le deuxième réglage de sélection "PUt" ou Power Up Test. Appuyez sur Entrée. Si le test est allumé, appuyez sur Suivant pour l'éteindre (clignotement), puis appuyez sur Entrée pour confirmer le changement (solide) et appuyez de nouveau sur Entrée pour revenir à "PUt" dans le menu Con. Appuyez sur Suivant jusqu'à ce que la touche "Fin" s'affiche, puis appuyez sur Entrée pour revenir au fonctionnement normal.

4.5.4 Paramètre d'affichage - "dSP"

Pour sélectionner la configuration de l'affichage, en mode normal, appuyez deux fois sur le bouton Suivant pour vous rendre à Con ou au menu Configuration. Appuyez ensuite sur le bouton Entrée pour entrer dans le menu Con. Appuyez ensuite deux fois sur le bouton Suivant pour obtenir le troisième paramètre de sélection "dSP" ou Display. Appuyez sur Entrée. Si l'affichage est allumé, appuyez sur Suivant pour l'éteindre (clignotement), puis appuyez sur Entrée pour confirmer le changement (solide) et appuyez de nouveau sur Entrée pour revenir à "dSP" dans le menu Con. Appuyez sur Suivant jusqu'à ce que la touche "Fin" s'affiche, puis appuyez sur Entrée pour revenir au fonctionnement normal.

4.5.5 Réglage de l'avertisseur sonore – "bUZ"

Pour sélectionner la configuration de l'avertisseur sonore, en mode normal, appuyez deux fois sur le bouton Suivant pour vous rendre à Con ou au menu Configuration. Appuyez ensuite sur le bouton Entrée pour entrer dans le menu Con. La quatrième sélection est le réglage bUZ ou Buzzer. Appuyez trois fois sur Suivant pour vous rendre à bUZ, puis appuyez sur Entrée. Si l'affichage est allumé, appuyez sur Suivant pour l'éteindre (clignotement), puis appuyez sur Entrée pour confirmer le changement (solide) et appuyez de nouveau sur Entrée pour revenir à "bUZ" dans le menu Con. Appuyez sur Suivant jusqu'à ce que la touche "Fin" s'affiche, puis appuyez sur Entrée pour revenir au fonctionnement normal.

4.5.6 Réglage du relais d'alarme - "ArS"

Pour sélectionner le réglage du relais d'alarme, en mode normal, appuyez deux fois sur le bouton Suivant pour vous rendre à Con ou au menu Configuration. Appuyez ensuite sur le bouton Entrée pour entrer dans le menu Con. La cinquième sélection est le réglage ars ou relais d'alarme. Appuyez quatre fois sur Suivant pour vous rendre à "ArS", puis appuyez sur Entrée. Si l'affichage est "dIS" (désactivé), appuyez sur Suivant pour le changer à 5, 10, 15, 20 ou

25% LEL (clignotant), puis appuyez sur Entrée pour confirmer le changement (solide) et appuyez de nouveau sur Entrée pour revenir à “ArS” dans le menu Con. Appuyez sur Suivant jusqu’à ce que la touche “Fin” s’affiche, puis appuyez sur Entrée pour revenir au fonctionnement normal.

4.5.7 Configuration du relais d’alarme – “Arc”

Pour sélectionner la configuration du relais d’alarme, en mode normal, appuyez deux fois sur le bouton Suivant pour vous rendre à Con ou au menu Configuration. Appuyez ensuite sur le bouton Entrée pour entrer dans le menu Con. La sixième sélection est la configuration de relais d’arc ou d’alarme. Appuyez cinq fois sur Suivant pour vous rendre à Arc, puis appuyez sur Entrée. Si le relais est “nO” (normalement ouvert), appuyez sur Suivant pour le tourner à “nC” (clignotant), puis appuyez sur Entrée pour confirmer le changement (solide) et appuyez de nouveau sur Entrée pour revenir à “Arc” dans le menu Con. Appuyez sur Suivant jusqu’à ce que la touche “Fin” s’affiche, puis appuyez sur Entrée pour revenir au fonctionnement normal.

4.5.8 Réglage du relais du ventilateur – “FrS”

Pour sélectionner le réglage du relais du ventilateur, en mode normal, appuyez deux fois sur le bouton Suivant pour vous rendre à Con ou au menu Configuration. Appuyez ensuite sur le bouton Entrée pour entrer dans le menu Con. La septième sélection est le réglage “FrS” ou Relais de ventilateur. Appuyez six fois sur Suivant pour vous rendre à “FrS”, puis appuyez sur Entrée. Si le relais du ventilateur est “dIS” (désactivé), appuyez sur Suivant pour le changer à 3, 4, 5, 6, 7, 8, 9, 10, 11, 12, 13, 14, 15, 16, 17, 18, 19 ou 20% LEL (clignotant), puis appuyez sur Entrée pour confirmer le changement (solide) et appuyez de nouveau sur Entrée pour revenir à “FrS” dans le menu Con. Appuyez sur Suivant jusqu’à ce que la touche “Fin” s’affiche, puis appuyez sur Entrée pour revenir au fonctionnement normal.

4.5.9 Réglage du retard du relais du ventilateur – “FrD”

Pour sélectionner le réglage retard du relais du ventilateur, en mode normal, appuyez deux fois sur le bouton Suivant pour vous rendre à Con ou au menu Configuration. Appuyez ensuite sur le bouton Entrée pour entrer dans le menu Con. La huitième sélection est le “FrD” ou le Retard du Relais du Ventilateur. Appuyez sept fois sur Suivant pour vous rendre à FrD, puis appuyez sur Entrée. Si le délai est “0” (désactivé), appuyez sur Suivant pour le changer à 1, 3, 5 ou 10 minutes (clignotant), puis appuyez sur Entrée pour confirmer le changement (solide) et appuyez de nouveau sur Entrée pour revenir à “FrD” dans le menu Con. Appuyez sur Suivant jusqu’à ce que la touche “Fin” s’affiche, puis appuyez sur Entrée pour revenir au fonctionnement normal.

4.5.10 Réglage minimal de l’exécution du relais du ventilateur – “Frr”

Pour sélectionner le paramètre d’exécution minimale du ventilateur, en mode normal, appuyez deux fois sur le bouton Suivant pour vous rendre à Con ou au menu Configuration. Appuyez ensuite sur le bouton Entrée pour entrer dans le menu Con. La neuvième sélection est le temps d’exécution minimum du frr ou du ventilateur. Appuyez huit fois sur Suivant pour vous rendre à Frr, puis appuyez sur Entrée. Si l’exécution est “0” (désactivée), appuyez sur Suivant pour la changer à 3, 5, 10 ou 15 minutes (clignotant), puis appuyez sur Entrée pour confirmer le changement (solide) et appuyez de nouveau sur Entrée pour revenir à “Frr” dans le menu Con. Appuyez sur Suivant jusqu’à ce que la touche “Fin” s’affiche, puis appuyez sur Entrée pour revenir au fonctionnement normal.

4.5.11 Réglage du verrouillage du relais du ventilateur – “FrL”

Pour sélectionner l’option de verrouillage du relais du ventilateur, en mode normal, appuyez deux fois sur le bouton Suivant pour vous rendre à Con ou au menu Configuration. Appuyez ensuite sur le bouton Entrée pour entrer dans le menu Con. La dixième sélection est l’option de verrouillage du relais frl ou du ventilateur. Appuyez neuf fois sur Suivant pour vous rendre à FrL, puis entrez. Si le verrouillage est “OFF”, appuyez sur Suivant pour l’allumer (clignotement), puis appuyez sur Entrée pour confirmer le changement (solide) et appuyez de nouveau sur Entrée pour revenir à “FrL” dans le menu Con. Appuyez sur Suivant jusqu’à ce que la fin soit affichée, puis appuyez sur Entrée pour revenir au fonctionnement normal.

4.5.12 Réglage du ventilateur de dérangement - “tFS”

Pour sélectionner l’option De réglage du ventilateur de dérangement, en mode normal, appuyez sur le bouton Suivant pour vous rendre à Con ou au menu Configuration. Appuyez ensuite sur le bouton Entrée pour entrer dans le menu Con. La onzième sélection est l’option de réglage du ventilateur tFS ou trouble. Appuyez sur Dix fois suivant pour vous rendre à tFS, puis entrez. Si le réglage du ventilateur de dérangement est “OFF”, appuyez ensuite sur Suivant pour l’allumer (clignotement), puis appuyez sur Entrée pour confirmer le changement (solide) et appuyez de nouveau sur Entrée pour revenir à “tFS” dans le menu Con. Appuyez sur Suivant jusqu’à ce que la fin soit affichée, puis appuyez sur Entrée pour revenir au fonctionnement normal.

4.5.13 Réglage de sortie 4-20mA - “420”

Pour sélectionner l’option de sortie 4-20mA, en mode normal, appuyez sur le bouton Suivant pour vous rendre à “Con” ou au menu Configuration. Appuyez ensuite sur le bouton Entrée pour entrer dans le menu Con. La douzième sélection est l’option de sortie 420 ou 4-20mA. Appuyez sur Suivant onze fois pour arriver à “420”, puis Entrez. Si le 4-20mA est “On” appuyez sur Suivant pour l’allumer à “OFF” (clignotant), puis appuyez sur Entrée pour confirmer le changement (solide) et appuyez de nouveau sur Entrée pour revenir à “420” dans le menu Con. Appuyez sur Suivant jusqu’à ce que la fin soit affichée, puis appuyez sur Entrée pour revenir au fonctionnement normal.

5 Dépannage

5.1 Diagnostics à bord

Le GD-6 surveille toutes les fonctions critiques de l'appareil grâce à des diagnostics logiciels qui testent et vérifient continuellement les opérations de l'unité. Si un problème est constaté, l'appareil passera en mode de sécurité ou d'erreur ou en état de panne. Dans ce mode d'erreur, le relais d'alarme sera activé, la boucle de courant de 4-20 mA ira à 24 mA, l'unité affichera le code d'erreur, le voyant d'état vert clignotera, et l'avertisseur sonnera par intermittence. Le relais du ventilateur s'enclenchera également si l'option de réglage du ventilateur de dérangement est réglée sur ON. Il s'agit d'une mesure de sécurité. Pour effacer ce mode, il suffit d'éteindre l'appareil pendant quelques secondes ou d'appuyer sur l'interrupteur TEST (à l'intérieur de l'appareil). L'appareil redémarrera ainsi le cycle d'autotest d'une minute.

5.1.1 Dépannage 4-20mA

- 0 mA est probablement un problème de connexion
- 4-20 mA est la gamme normale de lecture de gaz (0-50% LEL)
- 24 mA indique un trouble

5.1.2 Codes d'erreur "t"

TXX	
t01	Erreur fatale du capteur
t02	Erreur de régulation du décalage des capteurs
t04	Erreur d'algorithme de capteur
t08	Erreur de sortie du capteur
t10	Erreur d'autodiagnostic du capteur
t20	Erreur de capteur hors de portée
t40	Erreur de mémoire du capteur

TYYY	
t001	Capteur manquant (à la mise sous tension seulement)
t002	À chaque mise sous tension, il vérifie si cet ABC est désactivé. S'il n'est pas désactivé, il tentera de le configurer pour désactiver. S'il échoue, il déclenchera des problèmes t002.
t004	EEPROM mauvaise somme de contrôle.
t008	Erreur de communication Modbus (pendant le fonctionnement normal).
t010	Mauvais EEPROM
t020	Mauvais étalonnage d'usine.
t040	Jamais calibré en usine.
t080	Mauvaise pression pendant l'étalonnage en usine
t100	Sous la portée. La lecture est inférieure à -100 ppm pendant plus de 15 secondes
t200	Capteur expiré
t400	Capteur de pression de dérangement
t800	Conseil non testé

REMARQUE: Pour les codes de dérangement de plus de 080, l'affichage alternera entre t_1 et t00 pour t100 et entre t_2 et t00 pour t200.

Si le mode d'erreur se répète fréquemment, vérifiez s'il y a une puissance continue et une tension appropriée. Si l'alimentation n'est pas le problème et qu'un appareil présente des conditions d'erreur répétées, il peut être nécessaire de le retourner à Macurco pour le faire l'entretien, conformément à ces instructions d'utilisation.

Si le mode d'erreur indique "Capteur expiré", consultez la section Réinitialisation de la durée de vie du capteur de ces instructions d'utilisation.

5.2 Poisons de capteur

Le capteur de gaz du détecteur est conçu avec une sensibilité extrême à l'environnement. En conséquence, la fonction de détection peut être détériorée si elle est exposée à des silicones, tels que l'huile commune et les lubrifiants avec des composés de silicium utilisés comme additifs dans les machines, les composés halogènes, qui sont utilisés dans les extincteurs d'incendie et le fréon utilisé dans les réfrigérants, les composés organométalliques, les composés sulfurés, les composés chlorés, l'acétylène, les oléfines ou des concentrations élevées de gaz combustible.

5.3 Signal de fin de vie

Le GD-6 a une longue durée de vie, capteur de perles catalytiques non remplaçable. Cinq (5) ans après l'installation du GD-6, le signal de fin de vie du capteur sera activé, ce qui indique que le GD-6 a atteint la fin de sa durée de vie utile typique. Le signal de fin de vie provoquera l'expiration d'un code d'erreur t200 " Capteur ". Consultez la section Codes d'erreur. Le signal de fin de vie peut être réduit au silence pendant 48 heures en appuyant sur le bouton "ENTER/TEST" ou en laissant tomber temporairement l'alimentation de l'appareil. Le signal de fin de vie donne à l'utilisateur la possibilité de tester et/ou de calibrer le capteur en s'assurant qu'il fonctionne toujours dans des paramètres acceptables bien que le capteur approche de la fin de sa durée de vie prévue. La fonction silence continuera d'être disponible pendant 29 jours après que le GD-6 a lancé le signal initial de fin de vie. Après cette période de 29 jours, le GD-6 ne peut plus être réduit au silence et le capteur doit être étalonné et la durée de vie du capteur réinitialisée ou le détecteur GD-6 remplacé.

AVERTISSEMENT (en)

Ne démontez pas l'appareil et n'essayez pas de réparer ou de modifier un composant de cet appareil. Cet instrument ne contient aucune pièce pouvant être mise en service par l'utilisateur, et la substitution de composants peut nuire aux performances du produit.

6 Entretien de l'équipement

Le GD-6 est peu d'entretien. L'appareil utilise un capteur de pellistor à longue durée de vie qui a une espérance de vie de plus de 5 ans. Les performances du détecteur doivent être testées régulièrement à l'aide de gaz, comme il est expliqué dans les sections Essais et Étalonnage sur le terrain. Tous les autres travaux d'entretien et de réparation des produits fabriqués par Macurco doivent être effectués à l'usine de fabrication macurco appropriée. Macurco ne sanctionne aucune réparation de tiers.

6.1 Réinitialisation de la durée de vie du capteur

1. Retirer la vis Philips à l'avant du GD-6. Retirez le couvercle avant de l'appareil.
2. Pour réinitialiser la durée de vie du capteur (str), en mode normal ou en mode d'échauffement, appuyez cinq fois sur le bouton Suivant pour vous rendre en mode SEn ou Capteur.
3. Appuyez ensuite sur le bouton Entrée pour vous rendre à "rSt" - Reset Sensor Mode.
4. Appuyez de nouveau sur le bouton Entrée pour voir l'état de réinitialisation du capteur. Si la durée de vie du capteur a déjà été réinitialisée, le don effectué s'affiche. S'il n'a pas déjà été réinitialisé, non s'affiche. Appuyez ensuite pour le changer en OUI (clignotant), puis appuyez sur Entrée pour confirmer le changement (solide) et appuyez de nouveau sur Entrée pour revenir à "rSt" dans le menu SEn. Appuyez sur Suivant jusqu'à ce que la fin soit affichée, puis appuyez sur Entrée pour revenir au fonctionnement normal. La durée de vie du capteur sera réinitialisée pendant 1 an.

REMARQUE : Si le capteur est réinitialisé et que le détecteur n'est pas remplacé, il est nécessaire de tester et/ou de calibrer le capteur pour s'assurer qu'il fonctionne toujours selon les spécifications acceptables bien que le capteur approche de la fin de sa durée de vie prévue. Il n'y aura aucune autre indication de la performance du capteur.

6.2 Le nettoyage

Il est préférable de nettoyer les surfaces extérieures à l'aide d'un linge humide avec un détergent doux ou du savon. Utilisez un aspirateur avec brosse douce pour enlever la poussière ou la contamination sous le couvercle. Ne pas souffler le capteur avec de l'air comprimé.

MISE EN GARDE

Évitez d'utiliser des produits nettoyants agressifs, des abrasifs et d'autres solvants organiques. Ces matériaux peuvent égratigner les surfaces de façon permanente et endommager la fenêtre d'affichage, les étiquettes, le capteur ou le boîtier de l'instrument.

7 Les tests



AVERTISSEMENT (en)

L'utilisation d'un gaz certifié dont la concentration est autre que celle indiquée pour ce détecteur lors d'un test de vérification de l'étalonnage (essai de bosses) produira des lectures inexactes. Cela signifie que des niveaux plus élevés du gaz surveillé peuvent être présents et entraîner une surexposition. Pour une utilisation appropriée, consultez le superviseur ou le manuel d'utilisation, ou communiquez avec le service d'assistance technique au 1-844-325-3050.

Toutes les unités GD-6 sont calibrées en usine et testées à 100% pour un bon fonctionnement. Pendant le fonctionnement normal, le voyant d'état vert s'allume de façon constante, le ventilateur et le relais d'alarme seront en mode veille et la sortie de 4 à 20 mA sera à 4 mA (dans l'air pur). L'appareil effectue également un autotest automatique régulier pendant le fonctionnement normal. Si l'appareil détecte une tension incorrecte ou un composant inutilisable, il sera mis en mode Erreur par défaut. Dans ce mode d'erreur, le relais d'alarme sera activé, la boucle de courant de 4-20 mA ira à 24 mA, l'unité affichera le code d'erreur, le voyant d'état vert clignotera, et l'avertisseur sonnera par intermittence. Le relais du ventilateur s'enclenchera également si l'option de réglage du ventilateur de dérangement est réglée sur ON.

7.1 Les tests

7.1.1 Test d'opération

Vérifiez que le voyant d'état vert GD-6 s'allume continuellement. Si ce n'est pas le cas, ne pas procéder aux tests. Si l'appareil est en mode erreur, contactez votre représentant local ou votre représentant du service technique Macurco pour obtenir des informations sur la résolution du problème.

1. Retirer la vis simple au milieu du couvercle avant du GD-6.
2. Retirer le couvercle avant.
3. Observez le voyant lumineux à l'avant du GD-6.
4. Si le voyant est vert solide, passez à l'étape 6.
5. Si le voyant d'état vert est éteint ou clignote, reportez-vous à la section Générale ci-dessus.
6. Localisez l'interrupteur étiqueté ENTER/TEST sur le côté gauche de la carte de circuit imprimé. Appuyez une fois sur le bouton Test.
7. Le GD-6 passera par un test de cycle:
 - a. L'affichage progresse à travers le BUZ (Buzzer Test) Art (test de relais d'alarme), Frt (test de relais de ventilateur) puis 42t (test de sortie de 4-20 mA). Assurez-vous que les paramètres sont allumés ou non désactivés .
 - b. Pendant les 10 premières secondes du cycle d'essai, l'affichage affichera BUZ et
 - c. Le relais d'alarme sera fermé, de sorte que tous les appareils connectés à ce relais seront testés.
 - d. Le relais du ventilateur sera activé pendant les 1 minute suivantes de l'essai, donc si les circuits du ventilateur sont câblés de la manière normale, le ventilateur doit fonctionner.
 - e. La sortie 4-20mA montera alors de 4 à 16 mA au cours des 130 prochaines secondes de l'essai, donc si le circuit est câblé de la manière normale, le panneau de contrôle ou le système d'automatisation du bâtiment devrait répondre.
 - f. À la fin du cycle d'essai, le voyant devient vert et est allumé stable (fonctionnement normal), le ventilateur et le relais d'alarme seront en mode veille et la sortie de 4 à 20 mA reviendra à 4 mA (dans l'air pur).
8. Lorsque les essais sont terminés, remonter l'unité ou les unités.

7.1.2 Test d'utilisation manuelle

Cette option donne à l'utilisateur la possibilité d'initier manuellement un test individuel pour chaque relais, la sortie analogique et la réponse du capteur au gaz. En mode de fonctionnement normal, appuyez 3 fois sur le bouton Suivant pour vous rendre en mode Test (tSt). Appuyez une fois sur le bouton Entrée pour entrer dans le menu Test. Appuyez sur le bouton Suivant pour faire défiler les quatre options de test et appuyez sur Entrée pour lancer le test sélectionné. Notez que si le relais ou la sortie 4-20 mA a été désactivé, la sélection du test ne sera pas affichée dans le menu test.

bUZ -Buzzer test, 3 secondes

Art - Test de relais d'alarme, 10 secondes

FrT - Test de relais de ventilateur, 60 secondes

42t - 420 test de boucle, 25 secondes

gtS - Essai de gaz, 3 minutes (aucune sortie au panneau pendant l'essai de gaz)

L'affichage clignotera pendant l'essai ou dans le cas de l'essai de gaz le niveau alternera avec le gaz prévu (mE, Pro ou Hy). Une fois le test terminé, l'affichage revient à l'affichage régulier. Pour quitter le menu test, appuyez sur le bouton Suivant jusqu'à ce que la fin soit affichée, puis appuyez sur Entrée pour revenir en mode normal.

7.2 Trousses d'étalonnage et d'essai

AVERTISSEMENT (en)

Les étapes suivantes doivent être effectuées lors d'un essai d'étalonnage ou de vérification de l'étalonnage (essai de bosse) afin d'assurer le bon fonctionnement du moniteur. Le non-respect de cette mesure peut nuire à la performance du produit.

- Lors d'un essai d'étalonnage ou de vérification d'étalonnage (essai de bosses), n'utiliser du gaz d'étalonnage certifié qu'au niveau de concentration requis.
- Ne pas tester avec du gaz d'étalonnage expiré.
- Ne pas couvrir ou obstruer l'écran ou le couvercle de l'alarme visuelle.
- Assurez-vous que les entrées des capteurs ne sont pas obstruées et exemptes de débris

Le non-respect des instructions décrites dans ce manuel d'utilisation peut entraîner la maladie ou la mort.

- Lors d'un essai d'étalonnage ou de vérification d'étalonnage (essai de bosses), n'utiliser du gaz d'étalonnage certifié qu'au niveau de concentration requis. Ne pas calibrer avec du gaz d'étalonnage expiré.
- Si l'appareil ne peut pas être étalonné, ne pas l'utiliser tant que la raison n'a pas été déterminée et corrigée.
- Ne pas couvrir ou obstruer l'écran ou le couvercle de l'alarme visuelle.
- Assurez-vous que les entrées des capteurs ne sont pas obstruées et qu'elles sont exemptes de débris

Une trousse d'étalonnage sur le terrain, cal-kit 1, et une bouteille de gaz d'étalonnage est nécessaire pour compléter l'essai de gaz. Ceux-ci sont disponibles par distribution locale ou auprès de Macurco.

NOTA : Le GD-xx doit être testé ou étalonné à intervalles réguliers conformément aux exigences de la National Fire Protection Association (NFPA) 720 ou aux exigences du code local. Macurco recommande des essais et des étalonnages au moins une fois par année au minimum, mais selon l'application et le potentiel de risque de l'application, une plus grande fréquence pourrait être nécessaire. Renseignez-vous auprès des autorités locales pour obtenir des règlements locaux spécifiques.

Contenu du Cal-Kit 1

- Cal-Kit 1 (30-0011-1110-2)
 - Cas d'étalonnage
 - Deux pieds de tuyauterie de Tygon
 - Paquet cal hood-macurco
 - 0,2 LPM Régulateur de gaz (F)

Sont également nécessaires les bouteilles de gaz suivantes selon le gaz de target (vendu séparément):

- **L'hydrogène**
 - 70-0716-1758-6 Cylindre de gaz h2 cal hydrogène 34L 10% LEL (M) **(Pour l'étalonnage et les essais)**
 - 70-0716-1759-4 Cylindre de gaz h2 cal hydrogène 34L 20% LEL (M) **(Pour Essais)**
- **Le méthane**
 - 70-0716-1754-5 Méthane CH4 Cal Bouteille de gaz 34L 10% LEL (M) **(Pour l'étalonnage et les essais)**
 - 70-0716-1755-2 Méthane CH4 Cal Bouteille de gaz 34L 20% LEL (M) **(Pour Essais)**
- **Le propane**
 - 70-0716-1756-0 Propane C3H8 Cal Bouteille de gaz 34L 10% LEL (M) **(Pour l'étalonnage et les essais)**
 - 70-0716-1757-8 Propane C2H8 Cal Bouteille de gaz 34L 20% LEL (M) **(Pour Essais)**

Information Cal-Kit 1

Plusieurs détecteurs peuvent être étalonnés avec un Cal-Kit. La seule limite est la quantité de gaz dans la bouteille. Le cylindre de 34 litres a environ 170 minutes de temps d'étalonnage continu. La bouteille de gaz doit être remplacée lorsque le manomètre du régulateur indique 25 lb/po2 ou moins.

Remarque : Pour obtenir des résultats d'essai optimaux, il est suggéré que l'appareil soit dans l'air pur, qu'il soit allumé et qu'il soit à faible débit d'air ambiant.

7.3 Essais de gaz

7.3.1 Essai du relais de ventilateur

Note: La concentration de gaz pour activer le relais du ventilateur dépend du réglage.

1. Retirer la vis Philips à l'avant du GD-6. Retirer le couvercle avant.
2. Raccorder la bouteille de gaz combustible à 10 % LEL au régulateur. Assurez-vous que le gaz utilisé pour l'étalonnage correspond au gaz sélectionné dans la configuration GD-6.
3. Assembler le régulateur, le tuyau et la hotte d'essai et placer la hotte d'essai sur le capteur de gaz.
4. Vérifiez le manomètre du régulateur. Si vous avez 25 lb/po2 ou moins, vous devrez remplacer la bonbonne de gaz.

Note: Le temps d'activation du relais du ventilateur dépend du réglage du délai.

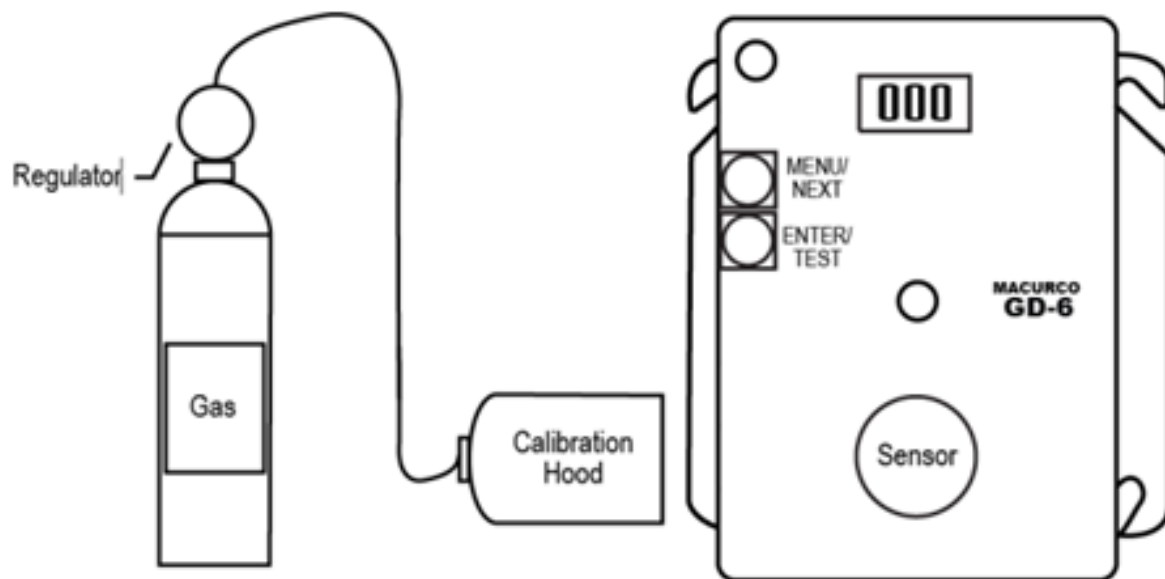


Figure 7-1 - Connexion d'étalonnage

5. Allumez le régulateur pour démarrer le débit de gaz et attendez avec le gaz appliqué en continu.
6. Lorsque la fonction d'affichage est activée, le GD-6 indique la concentration actuelle de gaz ou de 0 (zéro) dans l'air pur. Lorsque la concentration de gaz atteint le réglage du relais du ventilateur (10% LEL, par exemple), l'affichage clignotera d'avant en arrière entre "FAn" et "10". Lorsque la fonction d'affichage est désactivée, l'affichage n'indique pas la concentration de gaz, mais indique "FAn" tant que le relais du ventilateur est activé.

Note: Si le relais du ventilateur ne se ferme pas dans les 2 minutes, tenez compte des possibilités suivantes:

- a. La bouteille de gaz est vide, vérifiez le manomètre. Remplacez la bouteille de gaz si elle mesure 25 lb/po2 ou moins.
 - b. L'unité doit être recalibrée (passer par le recalibrage et le retest).
 - c. Le détecteur doit être réparé (retourner l'unité à l'usine pour l'entretien).
 - d. Le détecteur a le relais de ventilateur réglé pour désactiver (OFF) ou 20% LEL. Réglez le relais du ventilateur à 10% LEL et répétez le test.
7. Retirez le gaz du capteur. Procéder à l'essai du relais d'alarme ou remplacer le couvercle supérieur.

7.3.2 Test du relais d'alarme

Note: La concentration de gaz pour activer le relais d'alarme dépend du réglage.

Raccorder la bouteille de gaz combustible de 20 % LEL au régulateur. Assurez-vous que le gaz utilisé pour l'étalonnage correspond au gaz sélectionné dans la configuration GD-6.

1. Vérifiez le manomètre. S'il y a 25 lb/po2 ou moins, le cylindre doit être remplacé.
2. Placer la hotte d'essai sur le capteur de gaz. Allumez le régulateur pour démarrer le débit de gaz.
3. Le relais du ventilateur doit s'activer selon les réglages.
4. Lorsque la fonction d'affichage est activée et que la concentration de gaz atteint le réglage du relais d'alarme (20 % lel, par exemple), l'affichage clignotera d'avant en arrière entre "ALr" et "20". L'avertisseur sonore sonnera en indiquant "Alarme" si l'avertisseur sonore est allumé. Lorsque la fonction d'affichage est désactivée, l'affichage n'indique pas la concentration de gaz, mais indique "ALr" lorsque le relais d'alarme est activé.

Remarque: Si le relais d'alarme ne fonctionne pas dans les 2 minutes, tenez compte des possibilités suivantes:

- a. La bouteille de gaz est vide, vérifiez le manomètre. Remplacez la bouteille de gaz si elle mesure 25 lb/po2 ou moins.
 - b. L'unité doit être recalibrée (passer par le recalibrage et le retest).
 - c. Le détecteur doit être réparé (retourner l'unité à l'usine pour l'entretien).
 - d. Le détecteur a le relais d'alarme réglé pour désactiver (OFF). Réglez le relais d'alarme à 20% LEL et répétez le test.
5. Retirer le gaz du capteur après l'essai. Procéder à l'essai de la sortie 4-20 mA ou remplacer le couvercle supérieur.

7.3.3 Test de la boucle 4-20mA

Raccorder la bouteille de gaz combustible de 20 % LEL au régulateur. Assurez-vous que le gaz utilisé pour l'étalonnage correspond au gaz sélectionné dans la configuration GD-6.

1. Vérifiez le manomètre. S'il y a 25 lb/po2 ou moins, le cylindre doit être remplacé.
2. Placer la hotte d'essai du régulateur sur le capteur de gaz. Allumez le régulateur pour démarrer le débit de gaz.
3. Le relais du ventilateur doit s'activer selon les réglages.
4. Le relais d'alarme doit s'activer selon les réglages.
5. La puissance de 4 à 20 mA devrait augmenter de 4 mA dans l'air pur à 20 mA à 50 % de LEL. Voir le diagramme de 4 à 20 mA dans ce mode d'emploi.

Note: Si la sortie 4-20mA ne s'accélère pas dans les 2 minutes, considérez les possibilités suivantes:

- a. La bouteille de gaz est vide, vérifiez le manomètre. Remplacez la bouteille de gaz si elle mesure 25 lb/po2 ou moins.
 - b. L'unité doit être recalibrée (passer par le recalibrage et le retest).
 - c. Le détecteur doit être réparé (retourner l'unité à l'usine pour l'entretien).
 - d. Le détecteur a l'option de 4-20 mA réglée sur "OFF". Réglez l'option 4-20 mA sur On et répétez le test.
6. Retirez le gaz du capteur. Remonter le GD-6 (assurez-vous que la DEL est alignée avec le trou à l'avant de l'étui).

7.4 Procédure d'étalonnage sur le terrain

Remarque: Pour obtenir des résultats d'étalonnage optimaux, l'appareil doit être dans un air pur et être à faible débit d'air ambiant.

7.4.1 Zéro le capteur

1. Retirer la vis Philips à l'avant du GD-6. Retirez le couvercle avant de l'appareil.
2. Pour sélectionner le mode Zéro d'étalonnage (000), en mode normal, appuyez quatre fois sur le bouton Suivant pour vous rendre en mode CAL ou Calibration.
3. Appuyez ensuite sur le bouton Entrée pour arriver à "000" - Mode zéro d'étalonnage.
4. Appuyez sur le bouton Entrée et l'affichage lira 0 en alternance avec 000 (clignotement) indiquant que zéro étalonnage est en cours (max 165 sec).
5. Si le processus réussit, l'affichage lira __0 en alternance avec pas (clignotant) zéro étalonnage terminé.
6. Si le processus n'a pas réussi, l'affichage lira __1 en alternance avec Échec (clignotement) Zéro Échoué. Si cela se produit, répétez les étapes 2 à 4. Si le capteur ne parvient pas à zéro deux fois, contactez l'assistance technique: 844-325-3050
7. Pour revenir en mode normal, appuyez sur Entrée, puis sur Suivant jusqu'à ce que la fin s'affiche. Appuyez sur Entrée pour revenir en mode normal.

7.4.2 Étalonnage des données

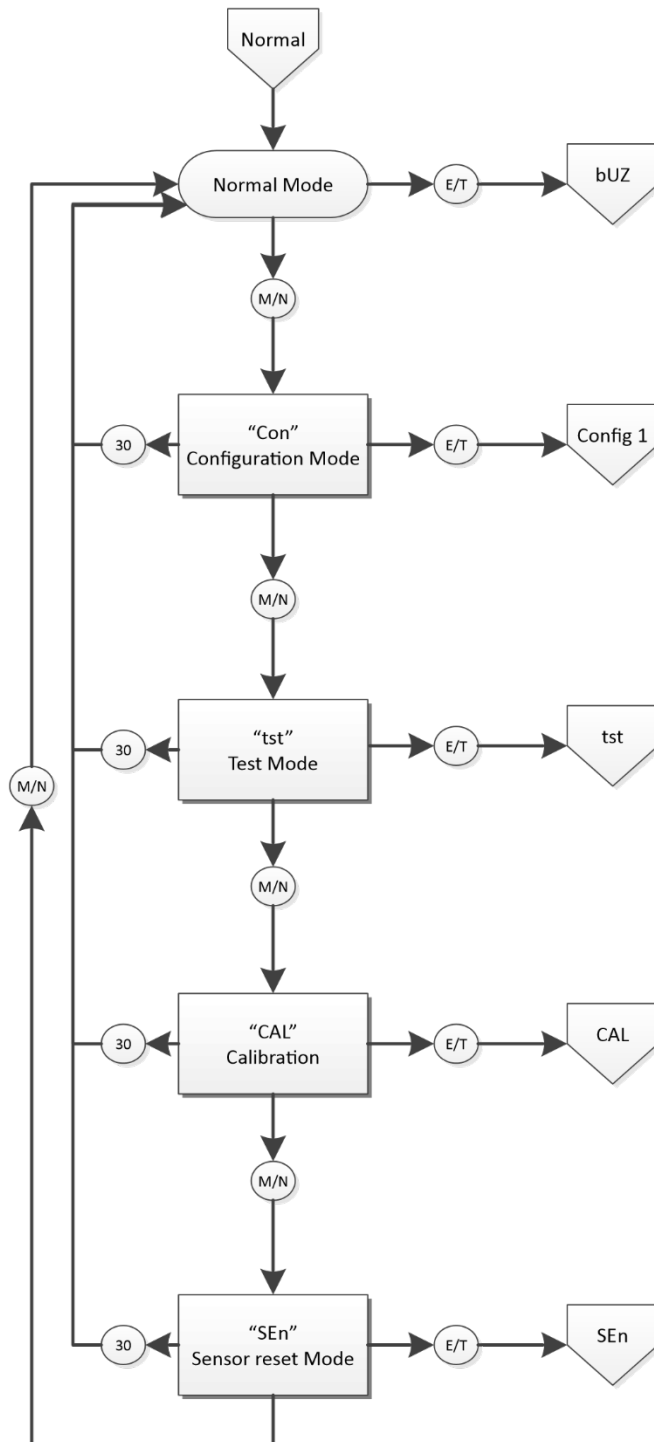
1. Retirer la vis Philips à l'avant du GD-6. Retirez le couvercle avant de l'appareil.
2. Assembler la bouteille de gaz Iel à 10% et le régulateur ensemble. Assurez-vous que le gaz utilisé pour l'étalonnage correspond au gaz sur laquelle le GD-6 est configuré (mE, Pro ou Hy).
3. Vérifiez le manomètre du régulateur. Si vous avez 25 lb/po2 ou moins, vous devrez remplacer la bonbonne de gaz.
4. Placer la hotte d'essai du régulateur sur le capteur de gaz.
5. Pour sélectionner le mode d'envergure d'étalonnage (SPn), en mode normal, appuyez quatre fois sur le bouton Suivant pour vous rendre en mode CAL ou Calibration.
6. Appuyez ensuite sur le bouton Entrée pour obtenir le mode zéro d'étalonnage "000", puis appuyez sur le bouton Suivant pour arriver à "SPn" – Mode portée d'étalonnage.
7. Appuyez sur le bouton Enter et l'affichage lira 10 en alternance avec le gaz, mE, Pro ou Hy (clignotement), indiquant que le capteur est à la recherche de gaz.
8. Commencez à appliquer du gaz sur le capteur de gaz.
Note: Le capteur recherchera le gaz pendant 45 secondes. Si aucun gaz n'est appliqué ou détecté dans ce temps, l'affichage retournera à CAL.
9. Lorsque le capteur détecte le gaz, l'affichage clignote d'avant en arrière entre la concentration de gaz et SPn et le calibrage progresse. L'affichage l'affichera pendant un maximum de 165 secondes.
10. Lorsque le calibrage est réussi, l'affichage clignotera d'avant en arrière entre 10 et PAS.
11. Retirer le gaz. L'affichage revient à "SPn", puis en mode normal. Le calibrage est terminé.
12. Si le calibrage échoue, l'affichage clignotera d'avant en arrière entre la concentration de gaz et le FAL (échec). Dans ce cas, vérifiez le manomètre du régulateur. Si la pression est inférieure à 25 lb/po2, le débit de gaz peut ne pas être suffisant pour calibrer correctement l'appareil. S'il y a une pression adéquate dans le cylindre, répéter les étapes 4 à 11. Si l'appareil ne fonctionne pas deux fois, communiquez avec l'Assistance technique macurco au 1-877-367-7891.
13. Démontez le cylindre et le régulateur.
14. Remonter le GD-6 (assurez-vous que la DEL est alignée avec le trou dans le boîtier avant).
15. Voir l'organigramme d'étalonnage à l'intérieur du logement.

8 Annexe A - Tableau des chiffres

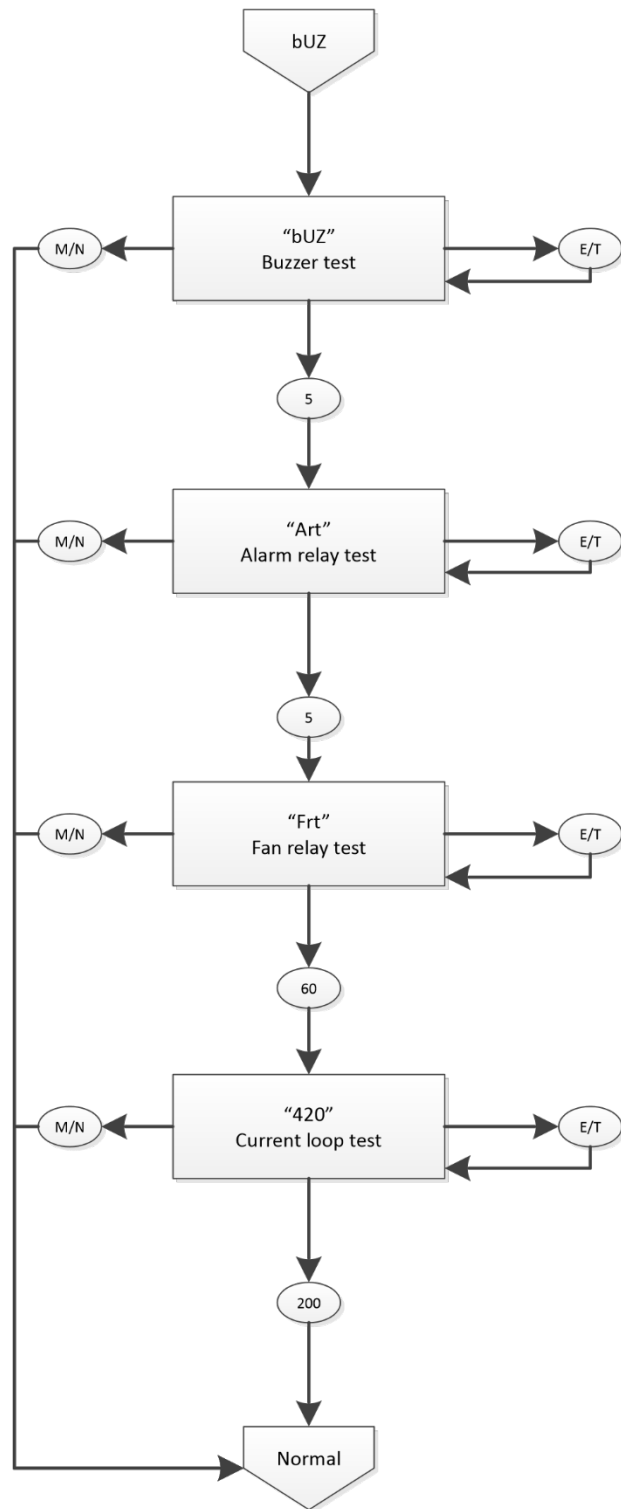
Figure 3-1 - 6-Sereis 4-20 mA Diagramme de sortie	8
Figure 3-2 - Vue arrière de la série 6	9
Figure 3-3 - Installation autonome typique de la série 6	9
Figure 3-4 - Appareil multiple de la série 6	10
Figure 3-5 - Panneau de contrôle d'alarme de la série 6	10
Figure 3-6 - Panneau de contrôle DVP-120 série 6	11
Figure 3-7 - Panneau d'alarme alternatif série 6.....	11
Figure 3-8 – Panneau d'alarme de la série 6 et câblage du robinet d'arrêt.....	12
Figure 3-9 – Câblage combiné corne et stroboscope de la série 6.....	12
Figure 3-9 - Sortie 12 séries 4-20 mA	13
Figure 3-10 - Vue arrière de la série 12	14
Figure 3-11 – 12-Series Typique Autonome Installation	14
Figure 3-12 - Utilisation de la série 12 avec panneau d'alarme	15
Figure 3-13 - Panneau de contrôle DVP-120 de la série 12.....	15
Figure 3-14 – Panneau d'alarme alternatif de la série 12	16
Figure 3-15 – Panneau d'alarme de la série 12 avec robinet d'arrêt	16
Figure 3-15 – Câblage combiné corne et stroboscope de la série 12	16
Tableau 4-1 - Paramètres par défaut	20
Figure 4-1 - Vue du conseil d'administration	20
Figure 7-1 - Connexion d'étalonnage	30

9 Annexe B - Structure du menu

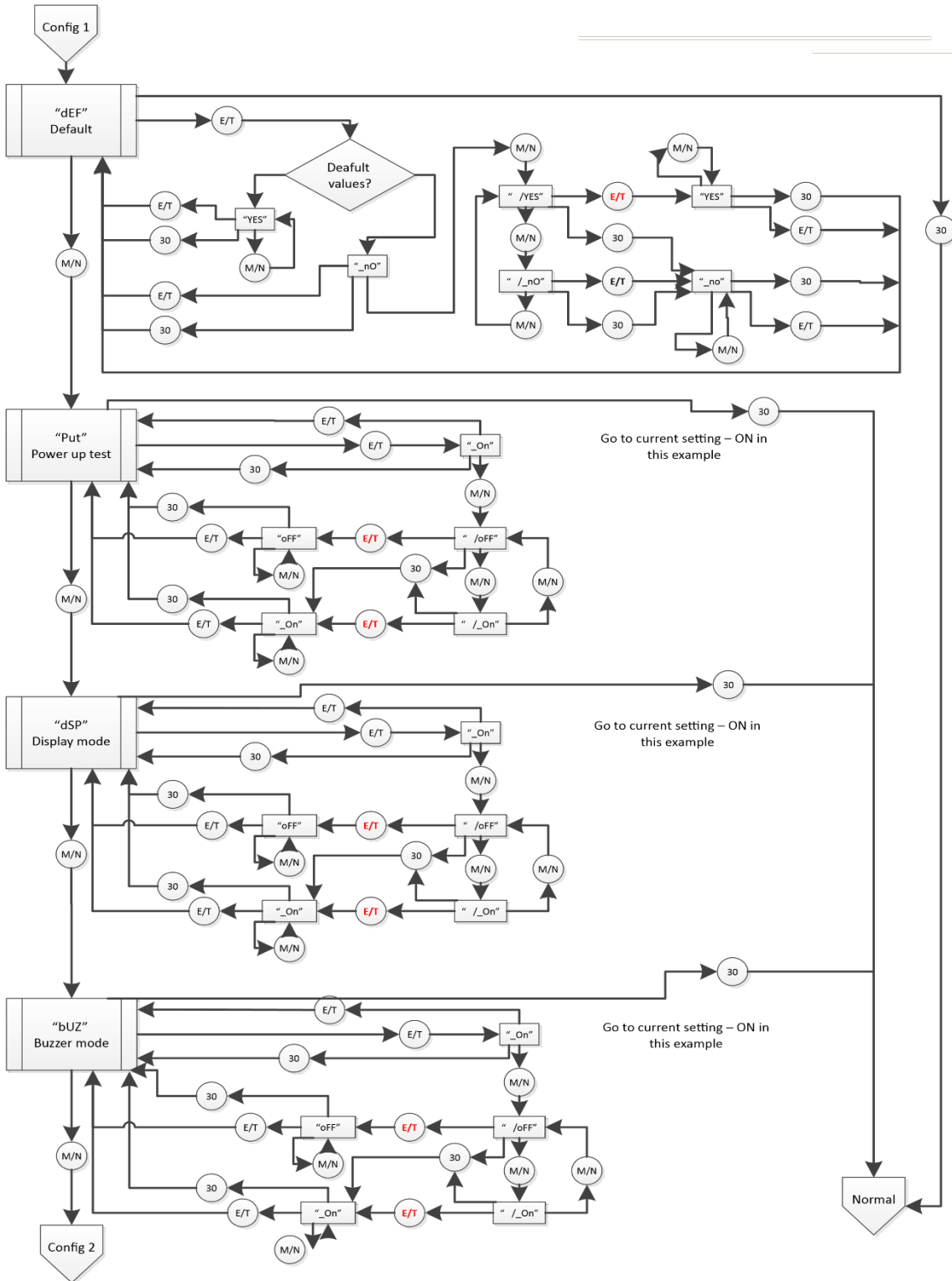
9.1 Menu principal

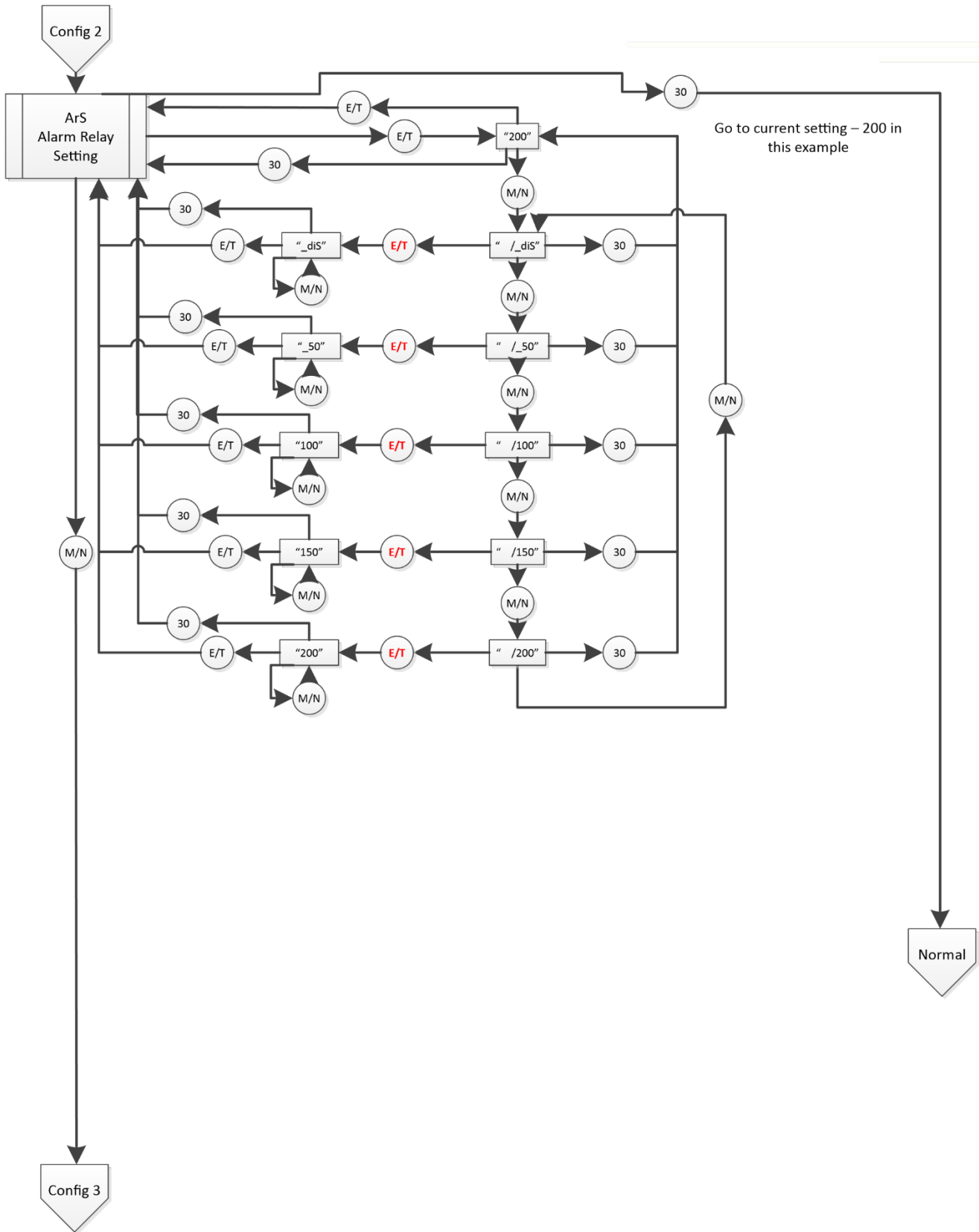


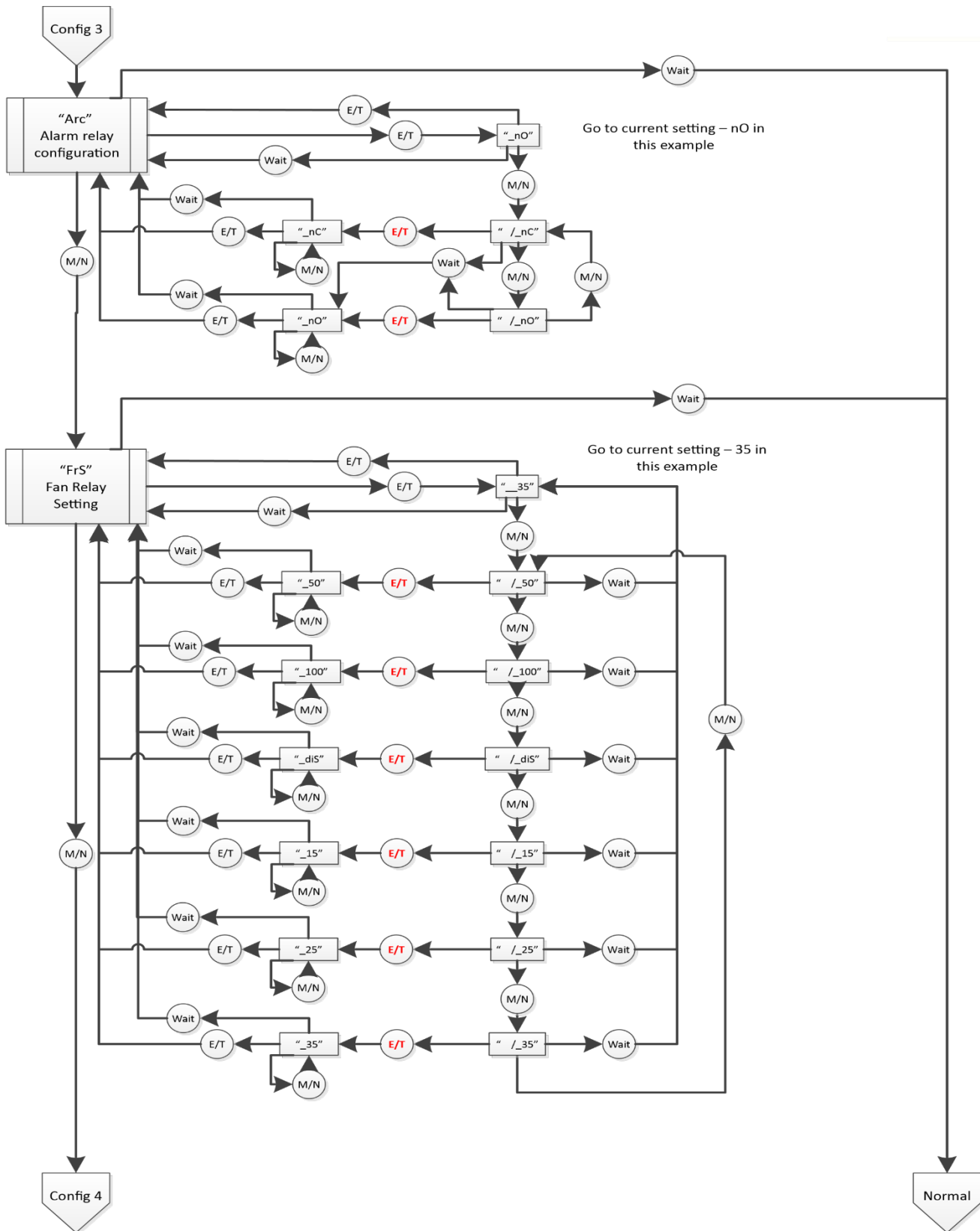
9.2 Menu test automatique “bUZ”

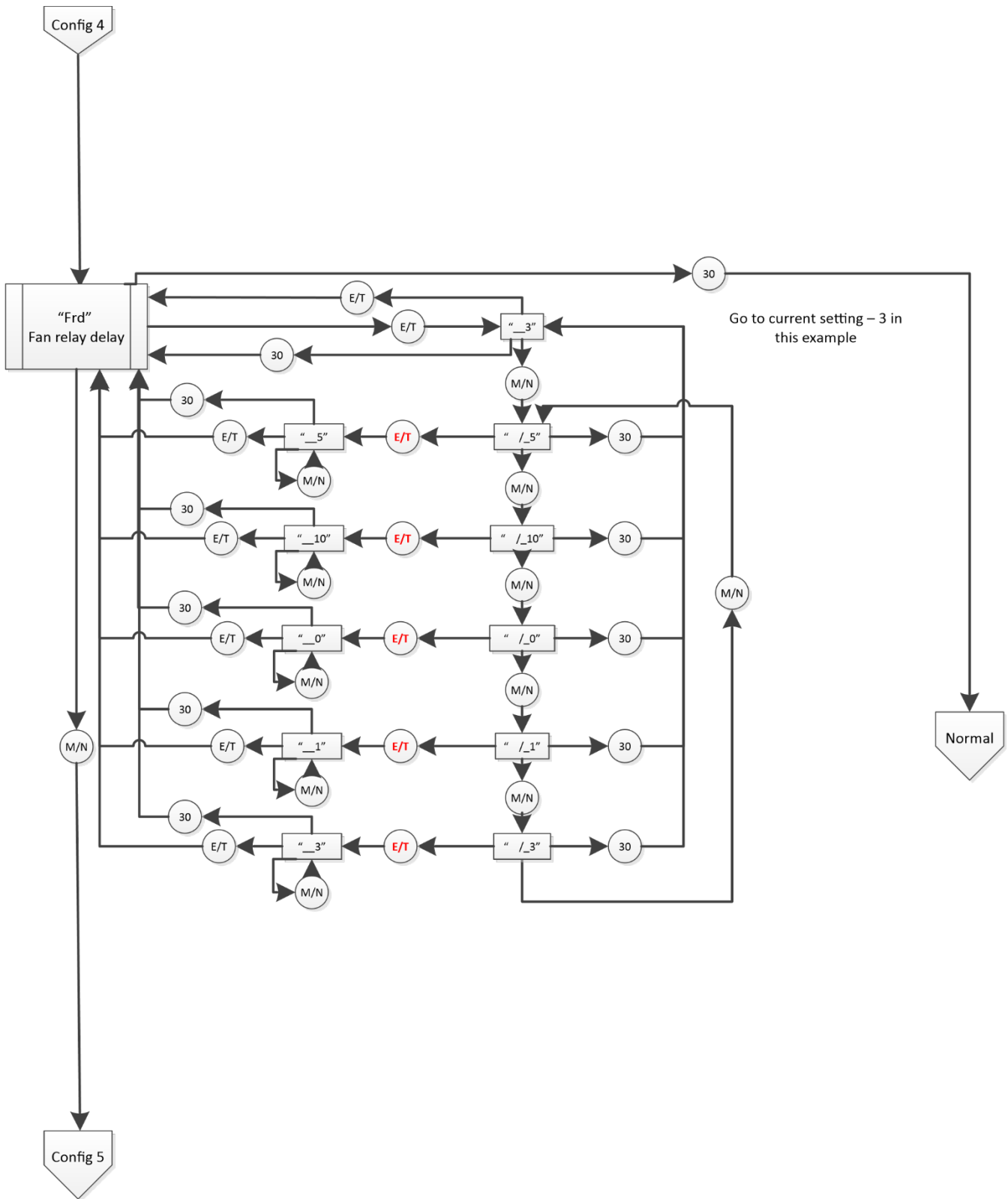


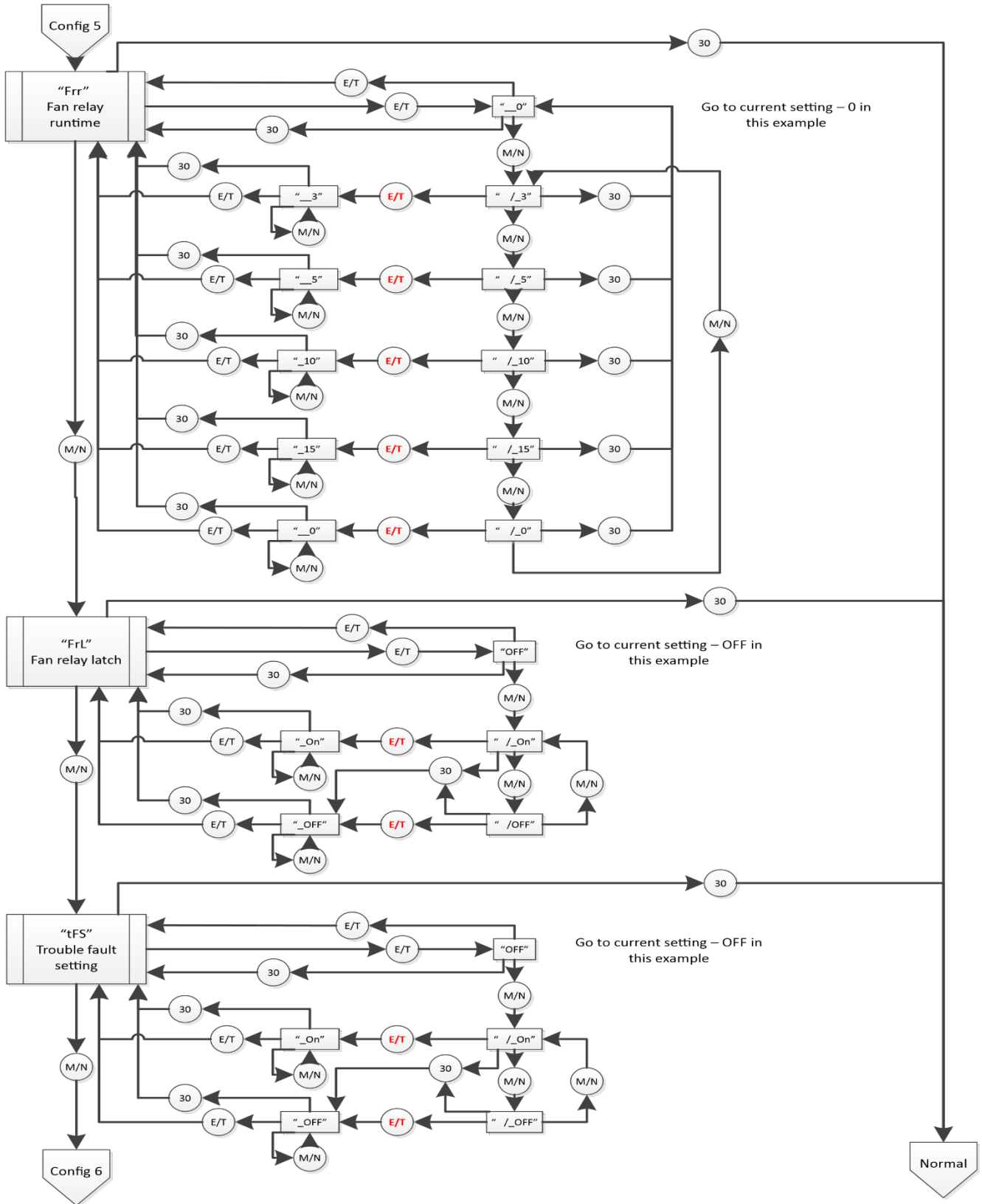
9.3 Menu de configuration "CON"

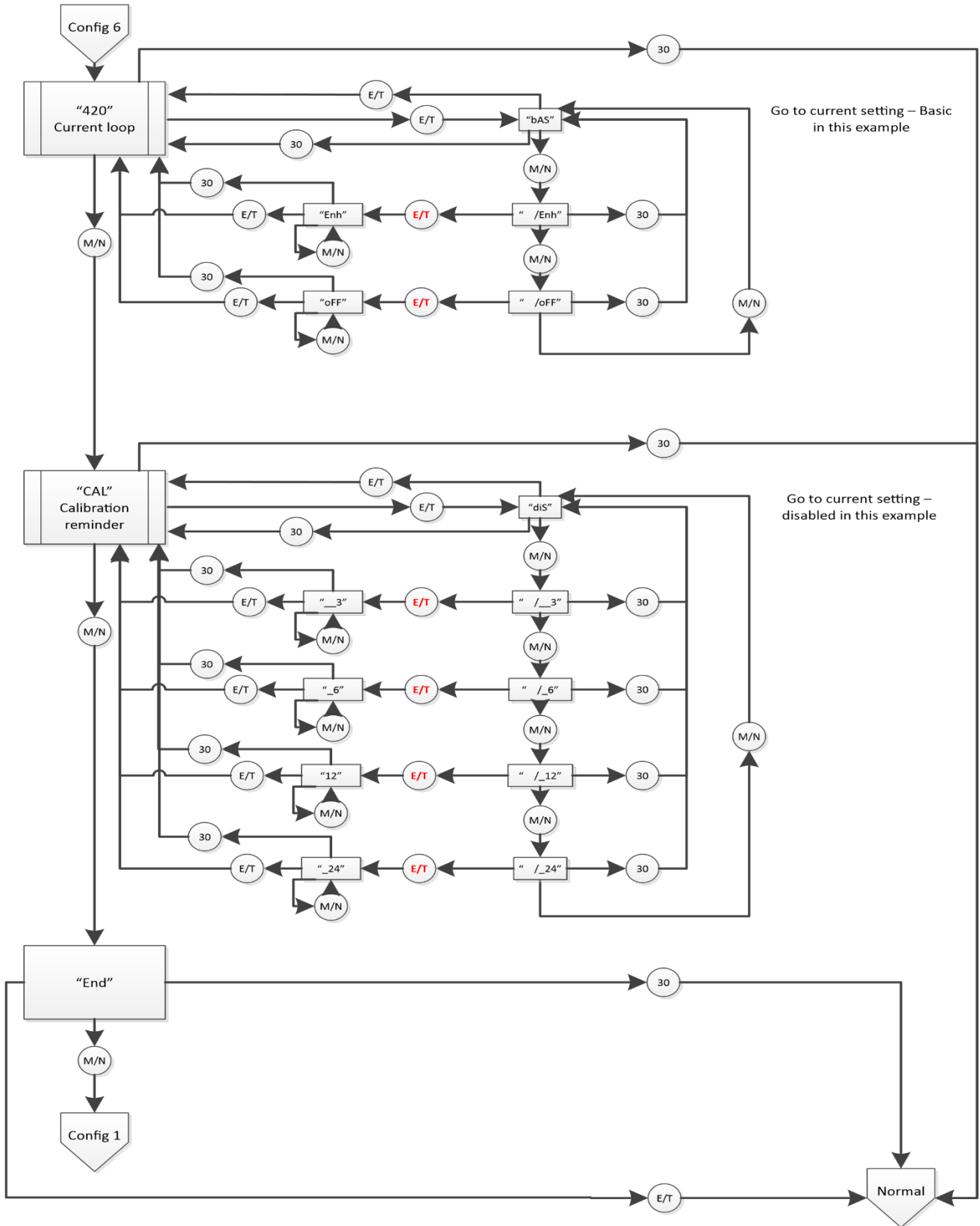




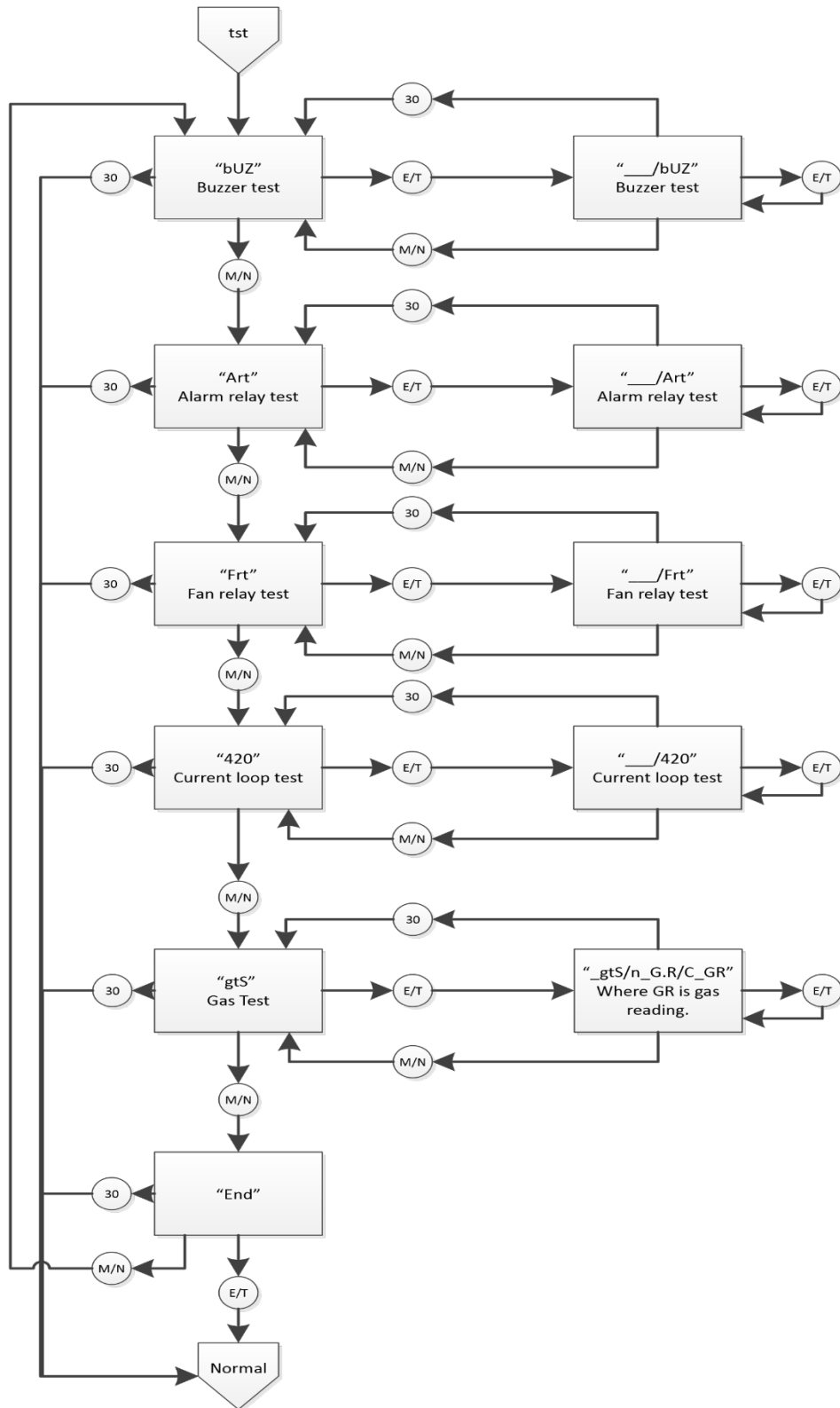




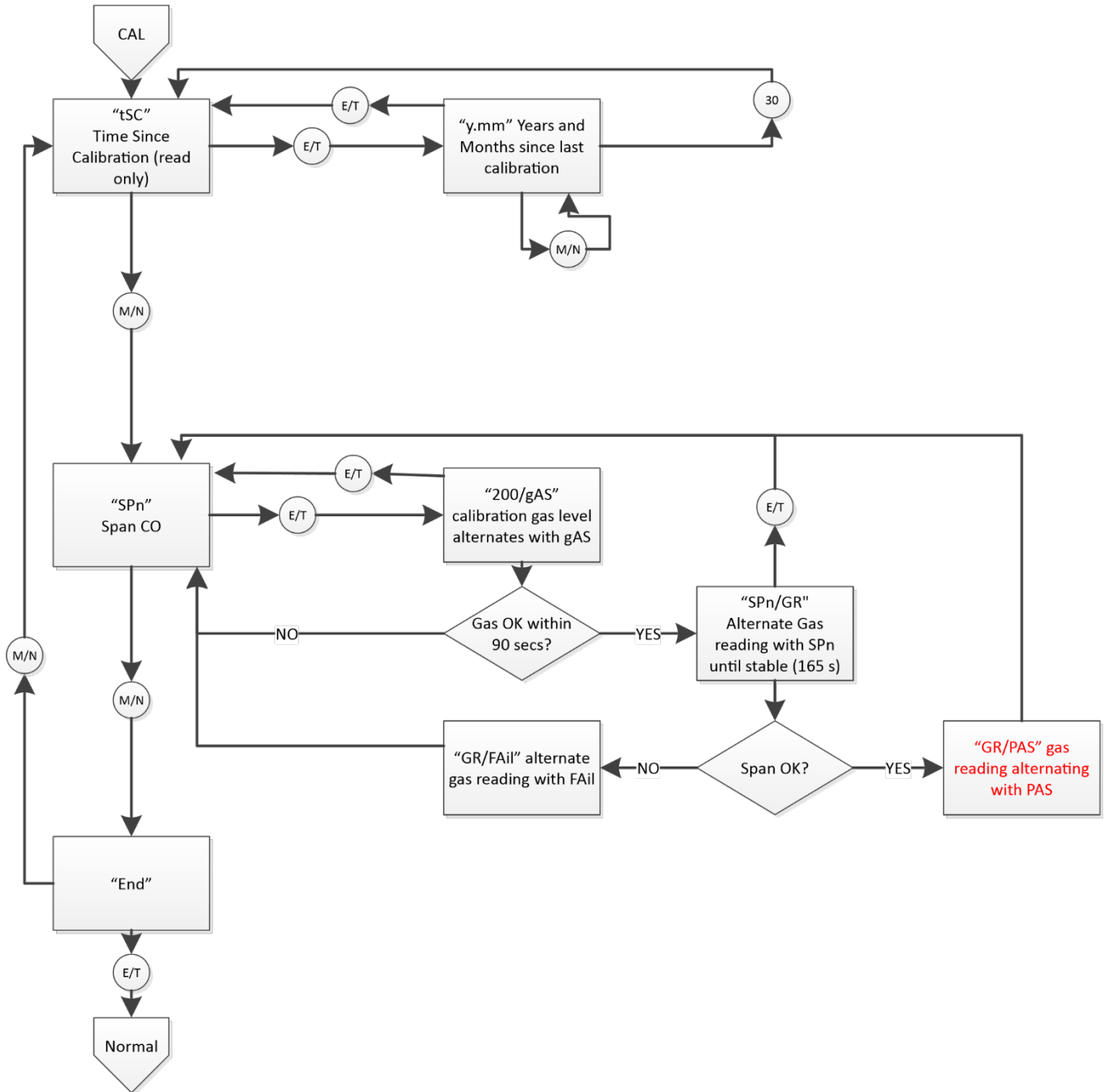




9.4 Sélectionnez menu test "tst"



9.5 CAL Menu



10 Macurco Gas Detection Product garantie limitée

Macurco garantit que le détecteur de gaz GD-6 / GD-12 sera exempt de matériaux défectueux et de fabrication pendant une période de deux (2) ans à compter de la date de fabrication (indiqué sur le couvercle intérieur du GD-6 / GD-12), à condition qu'il soit entretenu et utilisé conformément aux instructions et/ou recommandations de Macurco. Si un composant devient défectueux pendant la période de garantie, il sera remplacé ou réparé gratuitement, si l'appareil est retourné conformément aux instructions ci-dessous. Cette garantie ne s'applique pas aux appareils qui ont été modifiés ou qui ont fait l'objet d'une tentative de réparation, ou qui ont été victimes d'abus, accidentels ou autres. La garantie ci-dessus remplace toutes les autres garanties, obligations ou responsabilités expresses. LES GARANTIES IMPLICITES DE QUALITÉ MARCHANDE ET D'APTITUDE À DES FINS PARTICULIÈRES SONT LIMITÉES À UNE PÉRIODE DE DEUX (2) ANS À COMPTER DE LA DATE D'ACHAT. Macurco n'est pas responsable des dommages accessoires ou consécutifs pour violation de cette garantie ou de toute autre garantie, expresse ou implicite, découlant de ou liée à l'utilisation dudit détecteur de gaz. La responsabilité du fabricant ou de son agent se limite au remplacement ou à la réparation tel qu'indiqué ci-dessus. Les seuls et exclusifs recours de l'acheteur sont le retour de la marchandise et le remboursement du prix, ou la réparation et le remplacement de marchandises ou de pièces non conformes.

Détection de gaz Macurco

3601, avenue N. St. Paul
Sioux Falls, DD 57104

Coordonnées du support technique

Téléphone: 1-844-325-3050
Télécopieur: 1-605-951-9616
Courriel: support@macurco.com
SiteWeb: www.macurco.com/support

Coordonnées générales

Téléphone: 1-877-367-7891
Télécopieur: 1-605-951-9616
Courriel: info@macurco.com
Site Web: www.macurco.com

REV – 1.0.1

Date d'émission: 12-20-2021

Document no: 34-2900-0027-6

© Aerionics 2021. Tous droits réservés.

Macurco est une marque de commerce d'Aerionics, Inc.





Macurco™ GD-6 / GD-12

Combustible Gas Detector

Manual de operación




IMPORTANTE: Conserve estas instrucciones de usuario como referencia.

1	Información general de seguridad	4
1.1	Lista de advertencias	4
2	Instrucciones de uso y limitaciones.....	5
2.1	Uso para.....	5
2.2	NO utilizar para.....	5
2.3	Funciones.....	6
2.4	características técnicas.....	6
2.4.1	Serie 6 de baja tensión	6
2.4.2	Voltaje de línea de la serie 12.....	6
3	Instrucciones de instalación y funcionamiento	7
3.1	ubicación.....	7
3.2	instalación.....	8
3.2.1	Serie 6 de baja tensión	8
3.2.2	Voltaje de línea de la serie 12.....	13
3.3	Conexión de terminal	17
3.3.1	Serie 6 de baja tensión	17
3.3.2	Voltaje de línea de la serie 12.....	17
4	Operaciones.....	19
4.1	prender	19
4.2	Pantalla activada.....	19
4.3	Pantalla desactivada	19
4.4	Lazo 4-20mA	20
4.5	Predeterminado: configuración de fábrica	20
4.5.1	Selección de gas.....	21
4.5.2	Selección de la configuración predeterminada – "dEF"	21
4.5.3	Configuración de prueba de encendido – "PUt"	21
4.5.4	Configuración de pantalla – "dSP"	21
4.5.5	Configuración del zumbador – "bUZ"	21
4.5.6	Configuración del relé de alarma – "ArS"	21
4.5.7	Configuración del relé de alarma – "Arc"	22
4.5.8	Ajuste del relé del ventilador – "frs"	22
4.5.9	Ajuste de retardo del relé del ventilador – "FrD"	22
4.5.10	Configuración de tiempo de ejecución mínima de retransmisión de ventilador – "Frr"	22
4.5.11	Ajuste de enganche del relé del ventilador – "FrL"	22
4.5.12	Configuración del ventilador de problemas – "tFS"	22
4.5.13	Ajuste de salida 4-20mA – "420"	23
5	Solución de problemas	24
5.1	Diagnósticos a bordo	24
5.1.1	Solución de problemas de 4-20 mA.....	24
5.1.2	Códigos de error "t"	24
5.2	Venenos de sensores.....	25
5.3	Señal de fin de vida útil	25
6	mantenimiento.....	26
6.1	Restablecimiento de la vida útil del sensor	26

6.2	limpieza.....	26
7	Ensayo.....	27
7.1	ensayo.....	27
7.1.1	Prueba de operación	27
7.1.2	Prueba de operación manual	28
7.2	Kits de calibración y prueba	28
7.3	Pruebas de gas.....	30
7.3.1	Prueba del relé del ventilador	30
7.3.2	Prueba del relé de alarma	31
7.3.3	Probando el bucle 4-20mA	31
7.4	Procedimiento de calibración de campo	32
7.4.1	Cero el sensor	32
7.4.2	calibración	32
8	Apéndice A – Tabla de figuras	33
9	Apéndice B – Estructura de menú	34
9.1	Menú principal.....	34
9.2	Menú de prueba automática "bUZ"	35
9.3	Menú de configuración "CON"	36
9.4	Seleccione el menú de prueba "tst"	42
9.5	Menú CAL	43
9.6	Menú de restablecimiento del sensor "Sen"	44
10	Macurco Gas Detection Product garantía limitada	45
	Información de contacto de soporte técnico	45
	Información general de contacto	45

1 Información general de seguridad

1.1 Lista de advertencias

 advertencia
Cada persona que utilice este equipo debe leer y entender la información de este manual de usuario antes de su uso. El uso de este equipo por personas no capacitadas o no calificadas o el uso que no está de acuerdo con este manual de usuario, puede afectar negativamente el rendimiento del producto.
Utilícese únicamente para monitorizar el gas que el sensor y el monitor están diseñados para detectar. De lo no hacerlo, puede resultar en exposiciones a gases no detectables y causar lesiones graves o la muerte. Para un uso adecuado, consulte el manual del supervisor o del usuario, o comuníquese con soporte técnico al 1-844-325-3050.
Es posible que este equipo no funcione eficazmente por debajo de 0°F o por encima de 125°F (-18°C o por encima de 52°C). El uso del detector fuera de este rango de temperatura puede afectar negativamente el rendimiento del producto.
Este detector ayuda a monitorear la presencia y el nivel de concentración de un determinado gas en el aire especificado. El mal uso puede producir una lectura inexacta, lo que significa que los niveles más altos del gas que se está monitoreando pueden estar presentes y podrían resultar en una sobreexposición y causar lesiones graves o la muerte. Para un uso adecuado, consulte el supervisor o el Manual del usuario, o comuníquese con soporte técnico al 1-844-325-3050.
Los terminales de alta tensión (120/240 VCA) se encuentran dentro de este detector, lo que representa un peligro para los técnicos de servicio. Sólo los técnicos cualificados deben abrir la caja del detector y dar servicio a los circuitos internos. Asegúrese de que la energía se desenergice de los relés del detector antes de dar servicio a la unidad. Si no lo hace, puede resultar en una descarga eléctrica.
No desensamblar la unidad ni intentar reparar o modificar ningún componente de este instrumento. Este instrumento no contiene piezas reparables por el usuario, y la sustitución de componentes puede afectar el rendimiento del producto.
El uso de un gas certificado con una concentración distinta de la indicada para este detector al realizar una prueba de verificación de calibración (prueba de protuberancia) producirá lecturas inexactas. Esto significa que los niveles más altos del gas que se está monitoreando pueden estar presentes y podrían resultar en una sobreexposición. Para un uso adecuado, consulte el supervisor o el Manual del usuario, o comuníquese con soporte técnico al 1-844-325-3050.
Se deben realizar los siguientes pasos al realizar una prueba de verificación de calibración (prueba de protuberancia) para garantizar el correcto rendimiento del monitor. No hacerlo puede afectar negativamente al rendimiento del producto. <ul style="list-style-type: none"> • Al realizar una prueba de verificación de calibración (prueba de protuberancia) utilice únicamente gas de calibración certificado al nivel de concentración requerido. • No pruebe con gas de calibración caducado. • No cubra ni obstruya la pantalla ni la cubierta de alarma visual. • Asegúrese de que las entradas del sensor no estén obstruidas y libres de desechos El incumplimiento de las instrucciones descritas en este manual de usuario puede resultar en enfermedad o muerte.

2 Instrucciones de uso y limitaciones

El GD-6 es un detector de gas combustible de bajo voltaje y doble relé y un controlador automático de ventilación. El GD-6 utiliza un sistema electrónico controlado por microordenador para medir la concentración de gas combustible, accionar relés y proporcionar una salida de 4-20 mA. El GD-6 tiene un sensor pellistor de bajo mantenimiento de larga duración (más de 5 años) y kits opcionales de prueba y calibración de gas. El GD-6 es un medidor de bajo nivel capaz de mostrar de 0-50% LEL de gas combustible.

advertencia

Cada persona que utilice este equipo debe leer y entender la información de este manual de usuario antes de su uso. El uso de este equipo por personas no capacitadas o no calificadas o el uso que no está de acuerdo con este manual de usuario, puede afectar negativamente el rendimiento del producto.

NOTA: Los detectores de gas combustible responderán a una amplia gama de hidrocarburos, incluidos aerosoles, disolventes de limpieza, diluyentes de pintura y otros artículos domésticos comunes. Esté alerta a otros hidrocarburos cerca del detector antes de asumir que la unidad es falsamente alarmante o defectuosa.

2.1 Uso para

El GD-6 proporciona detección de gases combustibles y control automático de ventiladores de escape, louver o válvulas para instalaciones de mantenimiento automotriz, garajes de estacionamiento cerrados, cuartos de servicio, salas de baterías, almacenes con carretillas elevadoras y otras aplicaciones comerciales. El GD-6 se puede utilizar de forma independiente, con el Panel de Control de Detección y Ventilación Macurco DVP-120, otros paneles de seguridad contra incendios/12 VCA o 24 VCC o sistemas de automatización de edificios.

advertencia

Utilícese únicamente para monitorizar el gas que el sensor y el monitor están diseñados para detectar. De lo no hacerlo, puede resultar en exposiciones a gases no detectables y causar lesiones graves o la muerte. Para un uso adecuado, consulte el manual del supervisor o del usuario, o comuníquese con soporte técnico al 1-844-325-3050.

2.2 NO utilizar para

El GD-6 no está diseñado para su uso en lugares peligrosos o aplicaciones industriales como refinerías, plantas químicas, etc. No monte el GD-6 cuando la temperatura ambiente normal esté por debajo de 0°F o supere los 125°F (-18°C o por encima de 52°C). El GD-6 se monta en una caja eléctrica tipo 4S suministrada por el contratista. No instale el GD-6 dentro de otra caja a menos que tenga un buen flujo de aire a través de ella.

advertencia

Es posible que este equipo no funcione eficazmente por debajo de 0°F o por encima de 125°F (-18°C o por encima de 52°C). El uso del detector fuera de este rango de temperatura puede afectar negativamente el rendimiento del producto.

2.3 Funciones

- ETL listado en UL 61010-1 y CAN/CSA C22.2 No 61010-1
- Medidor de bajo nivel capaz de mostrar desde 0-50% LEL
- Gas objetivo seleccionable – Metano (mE), Propano (Pro) o Hidrógeno (Hy)
- Activación seleccionable del ventilador y del relé de alarma
- 5 Un relé de ventilador SPDT controla los arrancadores de los ventiladores de escape
- 0,5 Un relé de alarma N.O. o N.C. se conecta a dispositivos de advertencia o paneles de control
- Bucle de corriente de 4-20 mA
- GD-6 se monta en una caja eléctrica estándar 4x4 y se convierte en la cubierta de la caja
- Sistema supervisado: cualquier problema interno del detector hará que el ventilador y el relé de alarma se activen
- El kit de calibración está disponible. Un tornillo permite el acceso para calibración o prueba de gas

2.4 características técnicas

- Peso del envío: 1 libra (0,45 kg)
- Medidas: 4 1/2 x 4 x 2 1/8 in. (11.4 X 11.4 X 5.3 cm)
- Color: Gris oscuro
- Conexiones: enchufes/terminales
- Caja de montaje: (no incluida) 4x4 eléctrica
- Relé del ventilador: 5 A, 240 VCA, servicio de piloto, SPDT, enganche o sin enganche
- Accionamiento del relé del ventilador: seleccionable en diS (desactivar) 3, 4, 5, 6, 7, 8, 9, 10 (predeterminado), 11, 12, 13, 14, 15, 16, 17, 18, 19, 20% LEL
- Ajustes de retardo del ventilador de 0, 1, 3 (predeterminado), 5 y 10 minutos
- La configuración del tiempo mínimo de ejecución del ventilador es 0 (predeterminado), 3, 5, 10 o 15 minutos
- Se puede seleccionar el enganche o no enganche del relé del ventilador (predeterminado)
- Relé de alarma: 0.5A 120 V, 60 VA
- Accionamiento del relé de alarma: N.O. seleccionable por defecto o N.C.
- Configuración del relé de alarma: diS, 5, 10, 15, 20 (predeterminado), 25% LEL
- Bucle de corriente, 4-20 mA para 0-50% LEL, seleccionable para desactivar o activar (predeterminado)
- Zumbador: 85 dBA a 10cm configurables para desactivar (predeterminado) o encendido
- Pantalla digital: LED de 3 dígitos seleccionable para apagar (predeterminado) o encendido.
- Entorno operativo: 0 ° F a 125 ° F (-18 ° C a 52 ° C). 10 a 90% rh sin condensing

2.4.1 Serie 6 de baja tensión


- Potencia: 3 W (máx.) de 12 a 24 VCA o de 12 a 48 VCC
- Corriente @ 24VDC: 75 mA en alarma (dos relés), 50 mA (solo relé de ventilador) y 23 mA de stand by

2.4.2 Voltaje de línea de la serie 12

- Potencia: 100-240VAC (50 A 60 Hz)
- Actual: 1.0 A MAX

3 Instrucciones de instalación y funcionamiento

Las siguientes instrucciones están destinadas a servir como guía para el uso del detector de gas combustible Macurco GD-6. No debe considerarse todo incluido, ni pretende sustituir la política y los procedimientos de cada instalación. Si tiene alguna duda sobre la aplicabilidad del equipo a su situación, consulte a un higienista industrial o llame al Servicio Técnico al 844-325-3050.


 advertencia
Este detector ayuda a monitorear la presencia y el nivel de concentración de un determinado gas en el aire especificado. El mal uso puede producir una lectura inexacta, lo que significa que los niveles más altos del gas que se está monitoreando pueden estar presentes y podrían resultar en una sobreexposición y causar lesiones graves o la muerte. Para un uso adecuado, consulte el supervisor o el Manual del usuario, o comuníquese con soporte técnico al 1-844-325-3050.

3.1 ubicación

Una altura de montaje GD-XX depende del gas objetivo.

- Si el gas objetivo es más ligero que el aire; metano (NG) o hidrógeno (H₂), monte el GD-6 en lo alto de una pared o columna (aproximadamente un pie por debajo del techo) en un área central donde el movimiento del aire es generalmente bueno. Si el gas objetivo es más pesado que el aire; propano (LP), monte el GD-6 bajo en una pared o columna (aproximadamente un pie por encima del piso) en un área central donde el movimiento del aire es generalmente bueno. •

La unidad, en promedio, puede cubrir aproximadamente 900 pies cuadrados (84 metros cuadrados) a 1,257 pies cuadrados (117 metros cuadrados). La cobertura depende del movimiento del aire dentro de la habitación o instalación. Es posible que se necesiten detectores adicionales cerca de cualquier área donde la gente trabaje o donde el aire esté estancado. Algunos de los factores que afectan el área de cobertura son el tipo de aplicación, las áreas de trabajo y el movimiento del personal, el tamaño de la habitación, el movimiento del aire, la amenaza potencial, la ubicación de montaje, junto con otros factores específicos del sitio que deben considerarse. Por favor, compruebe las regulaciones o requisitos locales antes de la instalación. El GD-6 se monta en una caja eléctrica 4x4 suministrada por el contratista. No instale el GD-6 dentro de otra caja a menos que tenga un buen flujo de aire a través de ella. NO monte el GD-6 donde la temperatura ambiente normal esté por debajo de 0 °F o exceda los 125 °F (por debajo de -18C o por encima de 52C).^{oo}

 advertencia
Los terminales de alta tensión (120/240 VCA) se encuentran dentro de este detector, lo que representa un peligro para los técnicos de servicio. Sólo los técnicos cualificados deben abrir la caja del detector y dar servicio a los circuitos internos. Asegúrese de que la energía se desenergice de los relés del detector antes de dar servicio a la unidad. Si no lo hace, puede resultar en una descarga eléctrica.

3.2 instalación

3.2.1 Serie 6 de baja tensión

1. El GD-6 se monta en una caja eléctrica cuadrada de 4" (o 4x4) suministrada por el contratista. No monte el GD-6 dentro de otra caja, a menos que tenga un buen flujo de aire a través de él.
2. Conecte el GD-6 a la fuente de alimentación de clase 2 solamente. Se sugiere utilizar un transformador separado para alimentar la unidad o unidades debido a posibles interferencias de otros dispositivos en la misma fuente de alimentación.
3. Conecte el GD-6 a los cables de control con enchufes de terminal. Al realizar conexiones, asegúrese de que la alimentación esté apagada.
4. Hay dos terminales para la potencia: 12 a 24 VCA o 12 a 48 VCC, sin preferencia de polaridad.
5. Hay dos terminales para los contactos del relé de alarma seca, de nuevo sin preferencia de polaridad. El relé de alarma puede conmutar hasta 0,5 A 120 V o 60 VA. El relé de alarma se activa si el gas alcanza o supera la configuración de alarma. Consulte la sección OPERACIÓN de estas Instrucciones del usuario para obtener más información sobre la configuración del relé.
6. El relé de alarma se puede configurar para que normalmente se abra (predeterminado) (N.O.) o normalmente se cierre (N.C.) y se activará si la concentración de gas excede el punto de ajuste de la alarma. Se desactivará una vez que la concentración de gas caiga por debajo del punto de ajuste de alarma. Tenga en cuenta que la configuración de "deshabilitar" hará que el relé de alarma no se enganche en absoluto.
7. El relé de ventilador SPDT de contacto seco tiene tres terminales. El contacto común (COM.), normalmente abierto (N.O.) y el contacto normalmente cerrado (N.C.). El relé del ventilador puede conmutar hasta 5,0 A hasta 240 VCA. Consulte la sección OPERACIÓN de estas Instrucciones del usuario para obtener más información sobre la configuración del relé.
8. El relé del ventilador se puede configurar para el enganche o el no enganche (valor predeterminado) cuando se activa (cuando la concentración de gas supera el punto de ajuste del relé del ventilador). Una vez enganchado, la alimentación tendrá que ser interrumpida o el botón "PRUEBA" presionado para desenganchar la condición del relé.
9. El relé del ventilador se activará si se excede la concentración de gas combustible de ajuste del ventilador durante más tiempo que el tiempo de retardo del relé del ventilador. A menos que esté configurado para el enganche, el relé del ventilador se desconectará una vez que se hayan cumplido ambas condiciones:
 - a. La concentración de gas combustible ha caído por debajo de la configuración del ventilador
 - b. Se ha superado el tiempo de ejecución del relé del ventilador
 Tenga en cuenta que la configuración de "desactivar" del ventilador hará que el relé del ventilador no se enganche. El relé del ventilador entrará en la condición de falla de problema (si la Opción de configuración de ventilador de problemas está establecida en "ON") y se desconectará una vez que se borre la condición de falla de problema.

10. El bucle de corriente es de 4 mA en aire limpio y 4-20 mA para 0-50% LEL

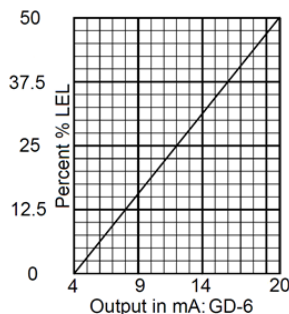


Figura 3-1 – Diagrama de salida 6-Sereis 4-20 mA

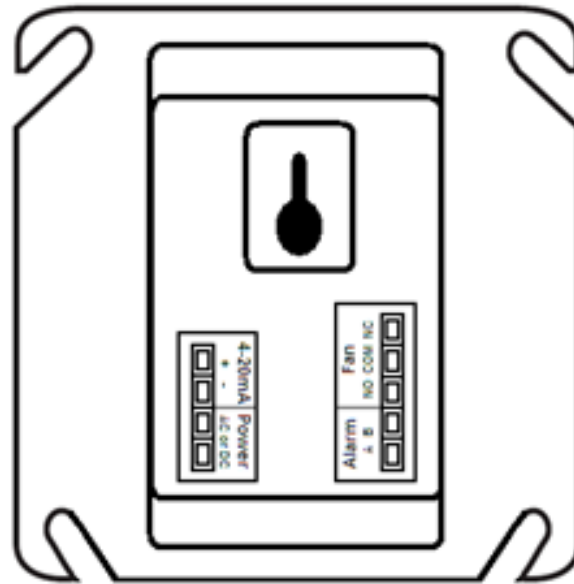


Figura 3-2 – Vista trasera de la serie 6

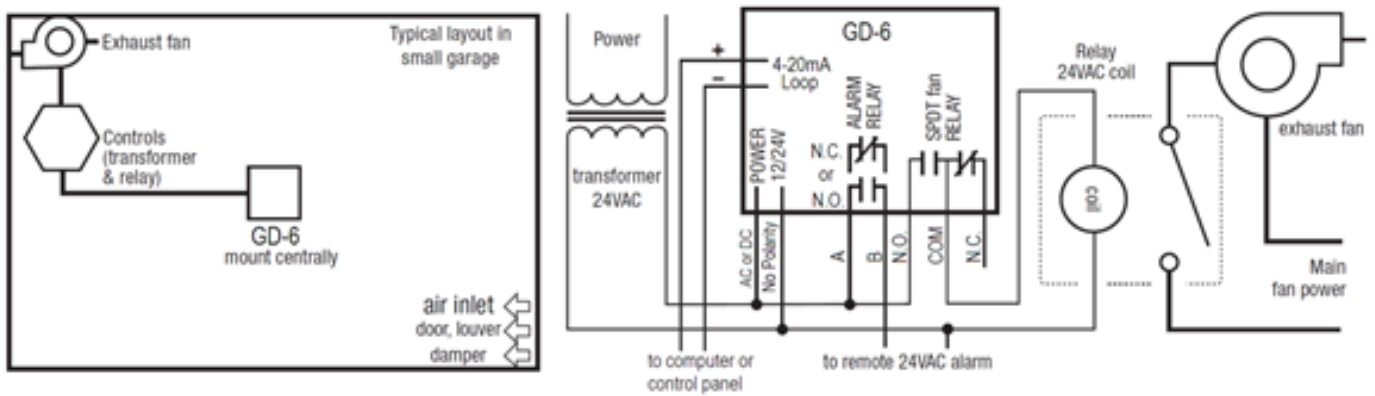
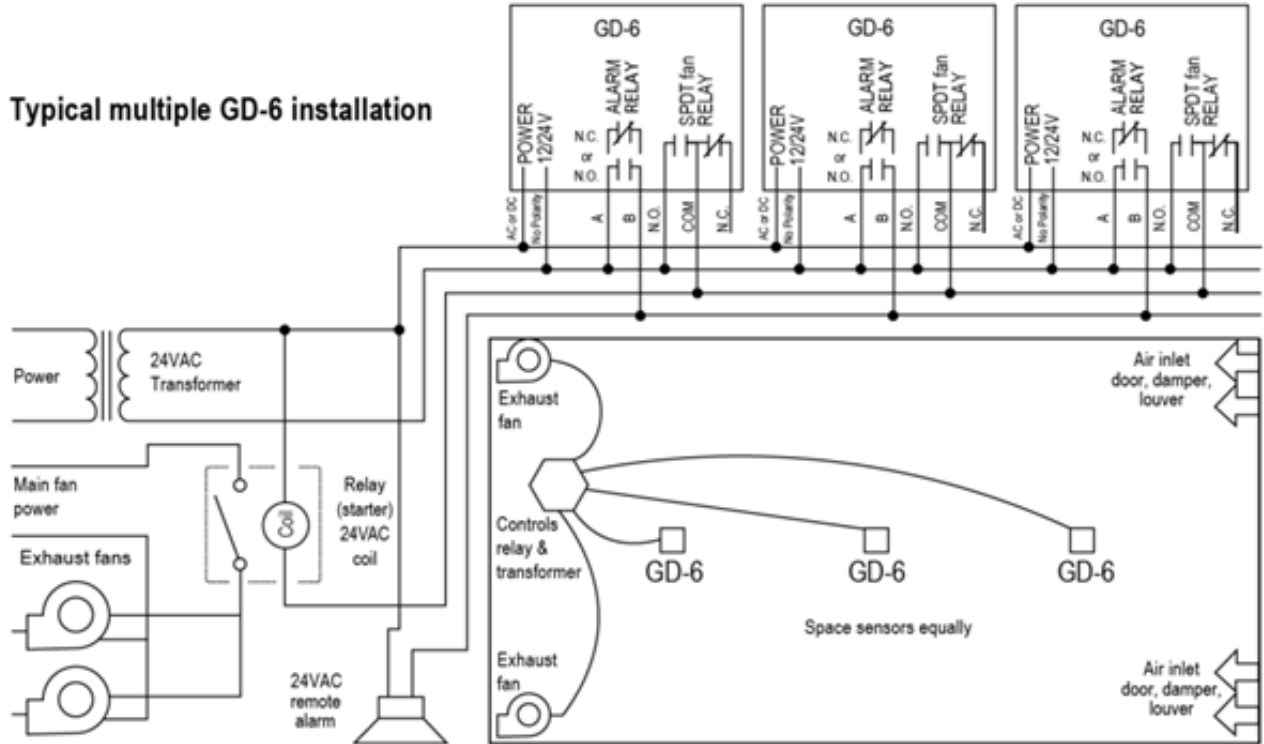
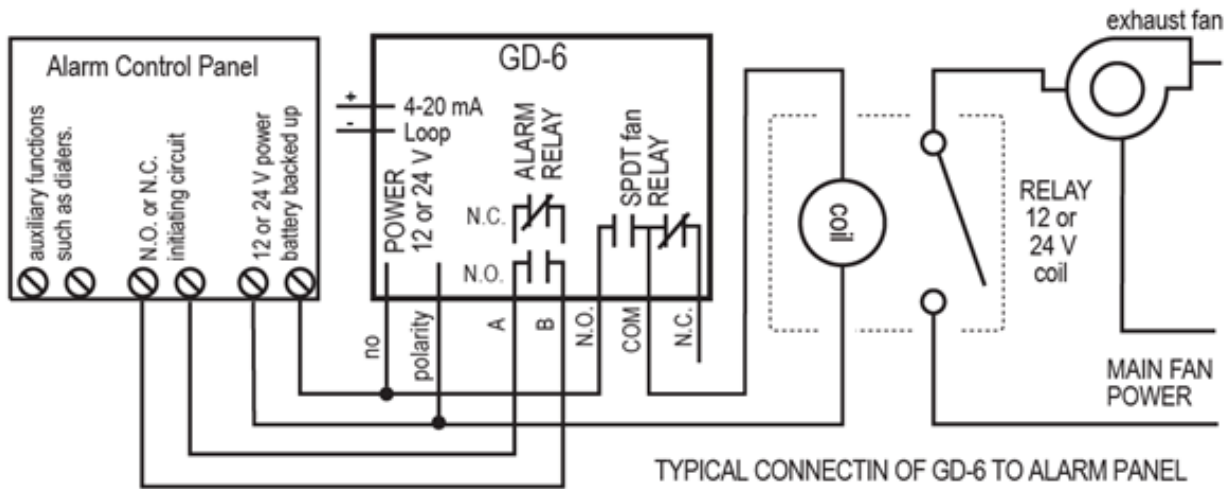


Figura 3-3 – Instalación independiente típica de la serie 6

Typical multiple GD-6 installation



Cuadro 3-4 – Dispositivo múltiple de la serie 6



Cuadro 3-5 – Panel de control de la alarma de la serie 6

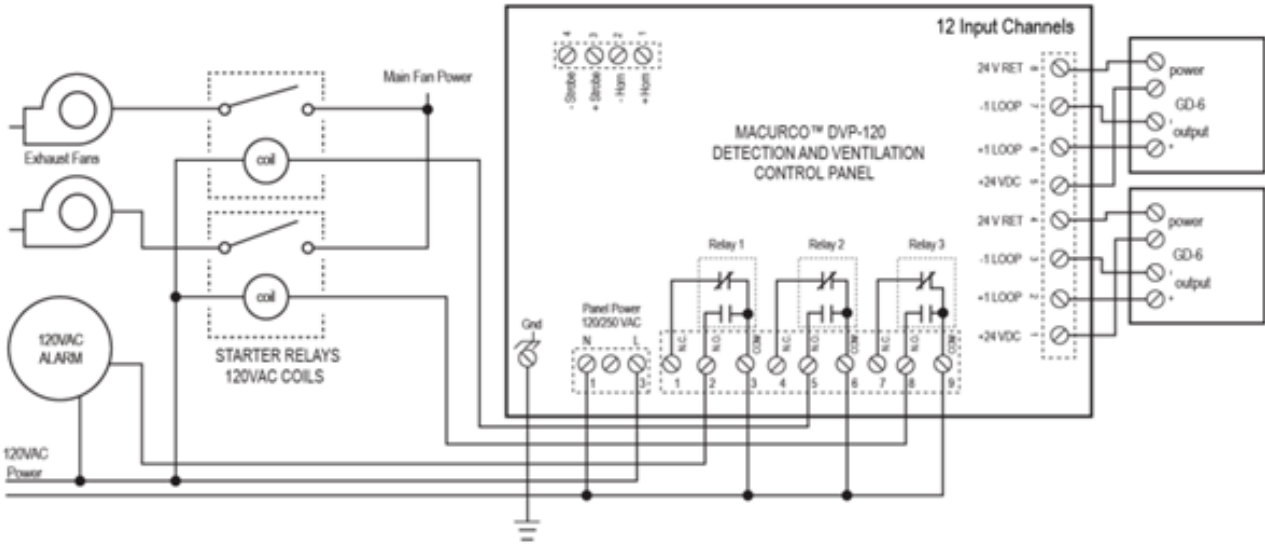
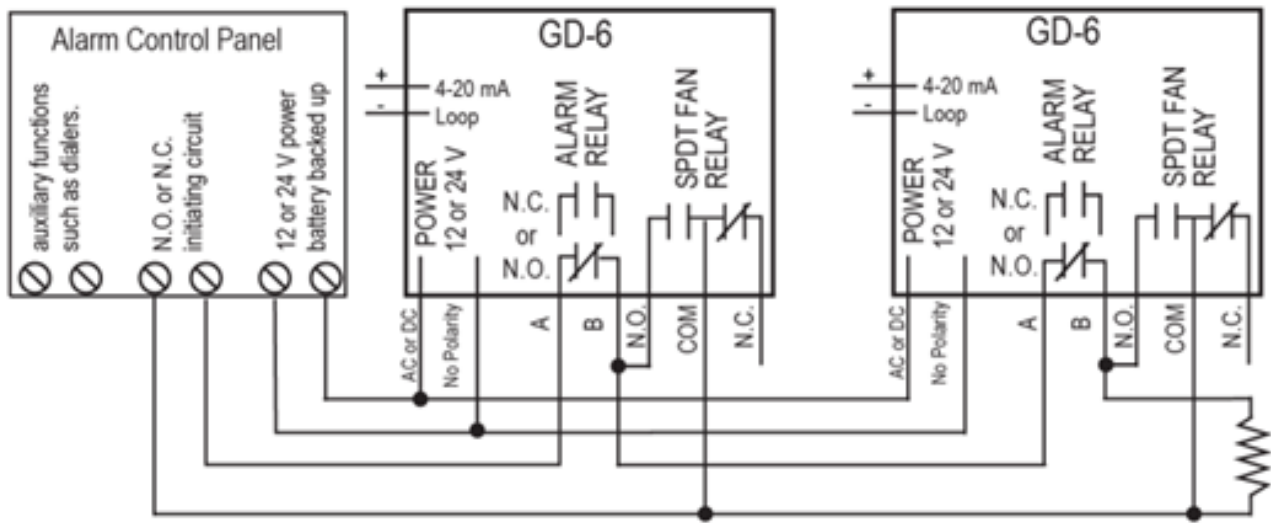


Figura 3-6 – Panel de control de la serie 6 DVP-120



Cuadro 3-7 – Panel alternativo de la alarma de la 6-Series

En esta aplicación (arriba) el ventilador o el relé primario se utiliza como un relé de alarma de bajo nivel. La alarma o el relé secundario se utiliza como relé de supervisión cuando se utiliza en la configuración normalmente cerrada. El GD-6 supervisa todas las funciones críticas de la unidad a través de diagnósticos de software que prueban y verifican continuamente sus operaciones. Si se encuentra un problema, la unidad cambiará a un modo a prueba de fallos/error o condición de problema. En este modo de error, se activarán los relés Fan* y Alarm indicando la condición de problema en el panel y la pantalla GD-6 parpadeará el error. *Consulte la opción de configuración del ventilador de problemas.

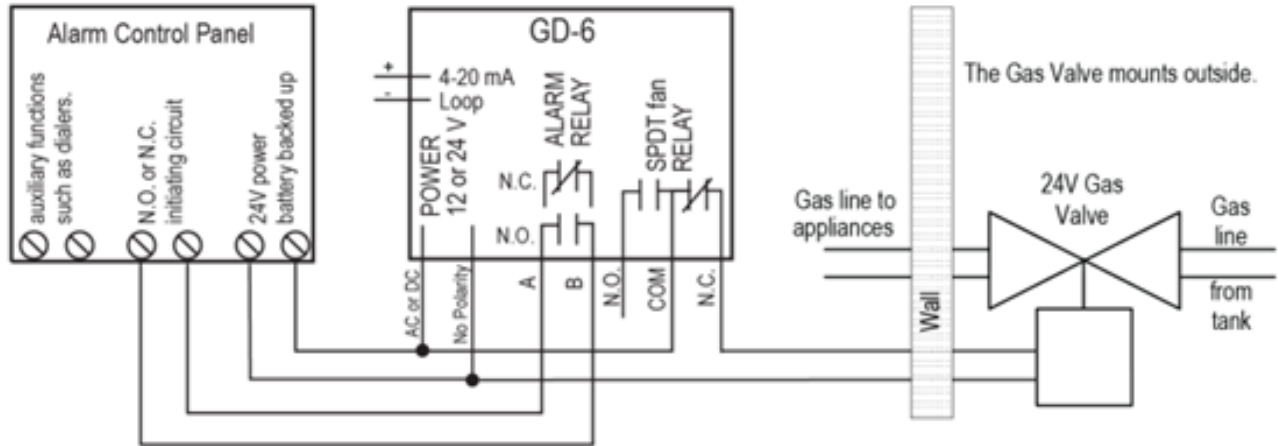


Figura 3-8 – Panel de alarma serie 6 y cableado de la válvula de cierre

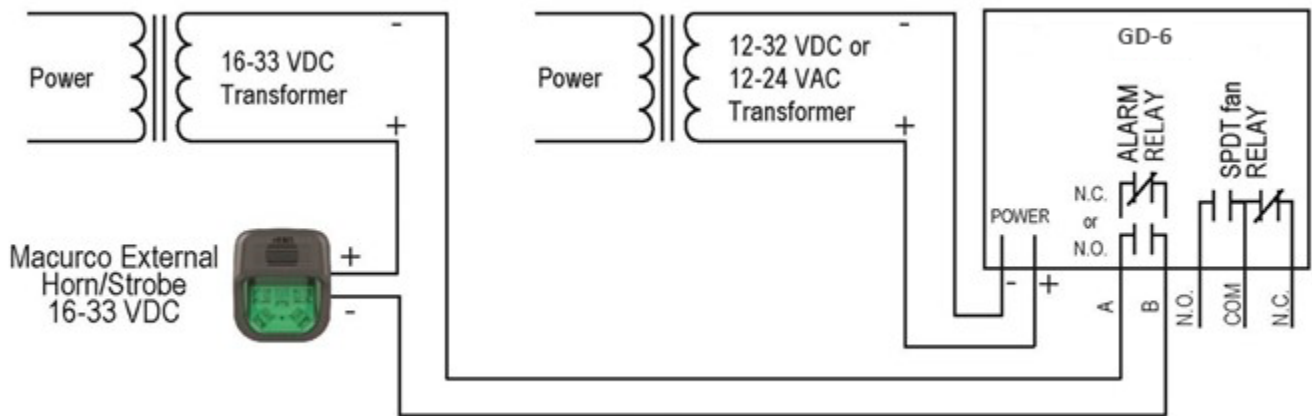


Figura 3-9 – 6-Series Horn & Strobe Combo Cableado

3.2.2 Voltaje de línea de la serie 12

1. El GD-12 se monta en una caja eléctrica cuadrada de 4" (o 4x4) suministrada por el contratista. No monte el GD-12 dentro de otra caja, a menos que tenga un buen flujo de aire a través de ella.
2. Hay dos terminales para los contactos del relé de alarma seca, de nuevo sin preferencia de polaridad. El relé de alarma puede conmutar hasta 0,5 A 120 V o 60 VA. El relé de alarma se activa si el gas alcanza o supera la configuración de alarma. Consulte la sección OPERACIÓN de estas Instrucciones del usuario para obtener más información sobre la configuración del relé.
3. El relé de alarma se puede configurar para que normalmente se abra (predeterminado) (N.O.) o normalmente se cierre (N.C.) y se activará si la concentración de gas excede el punto de ajuste de la alarma. Se desactivará una vez que la concentración de gas caiga por debajo del punto de ajuste de alarma. Tenga en cuenta que la configuración de "deshabilitar" hará que el relé de alarma no se enganche en absoluto.
4. El relé de ventilador SPDT de contacto seco tiene tres terminales. El contacto común (COM.), normalmente abierto (N.O.) y el contacto normalmente cerrado (N.C.). El relé del ventilador puede conmutar hasta 5,0 A hasta 240 VCA. Consulte la sección OPERACIÓN de estas Instrucciones del usuario para obtener más información sobre la configuración del relé.
5. El relé del ventilador se puede configurar para el enganche o el no enganche (valor predeterminado) cuando se activa (cuando la concentración de gas supera el punto de ajuste del relé del ventilador). Una vez enganchado, la alimentación tendrá que ser interrumpida o el botón "PRUEBA" presionado para desenganchar la condición del relé.
6. El relé del ventilador se activará si se excede la concentración de gas combustible de ajuste del ventilador durante más tiempo que el tiempo de retardo del relé del ventilador. A menos que esté configurado para el enganche, el relé del ventilador se desconectará una vez que se hayan cumplido ambas condiciones:
 - La concentración de gas combustible ha caído por debajo de la configuración del ventilador
 - Se ha superado el tiempo de ejecución del relé del ventiladorTenga en cuenta que la configuración de "desactivar" del ventilador hará que el relé del ventilador no se enganche. El relé del ventilador entrará en la condición de falla de problema (si la Opción de configuración de ventilador de problemas está establecida en "ON") y se desconectará una vez que se borre la condición de falla de problema.
7. El bucle de corriente es de 4 mA en aire limpio y 4-20 mA para 0-50% LEL

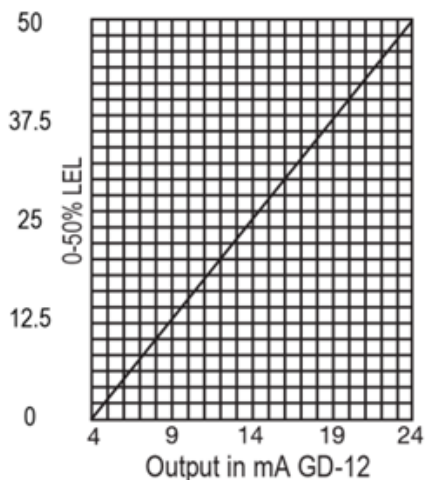


Figura 3-9 – Salida de la serie 12 4-20 mA

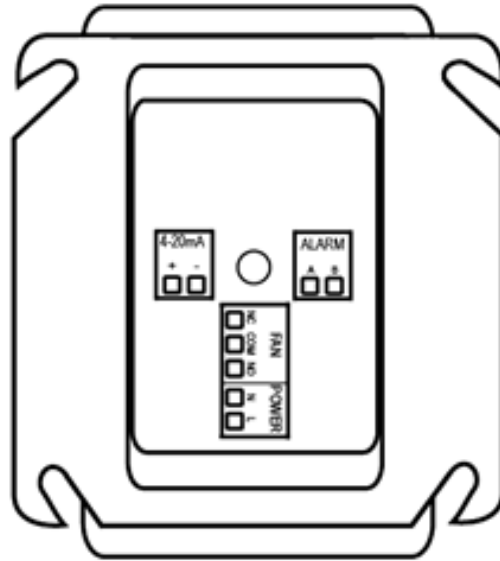


Figura 3-10 – Vista trasera de la serie 12

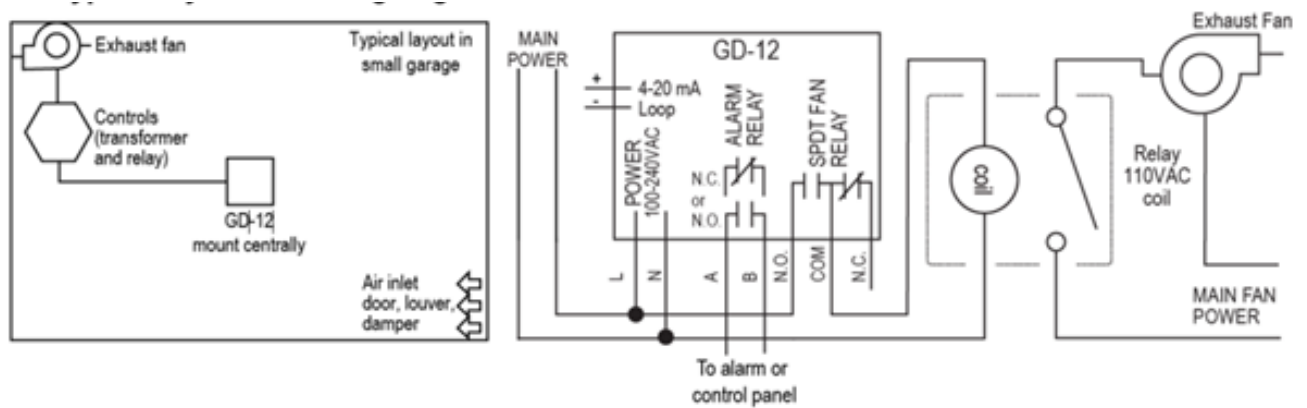


Figura 3-11 – Nstallation I independiente típico de la serie 12

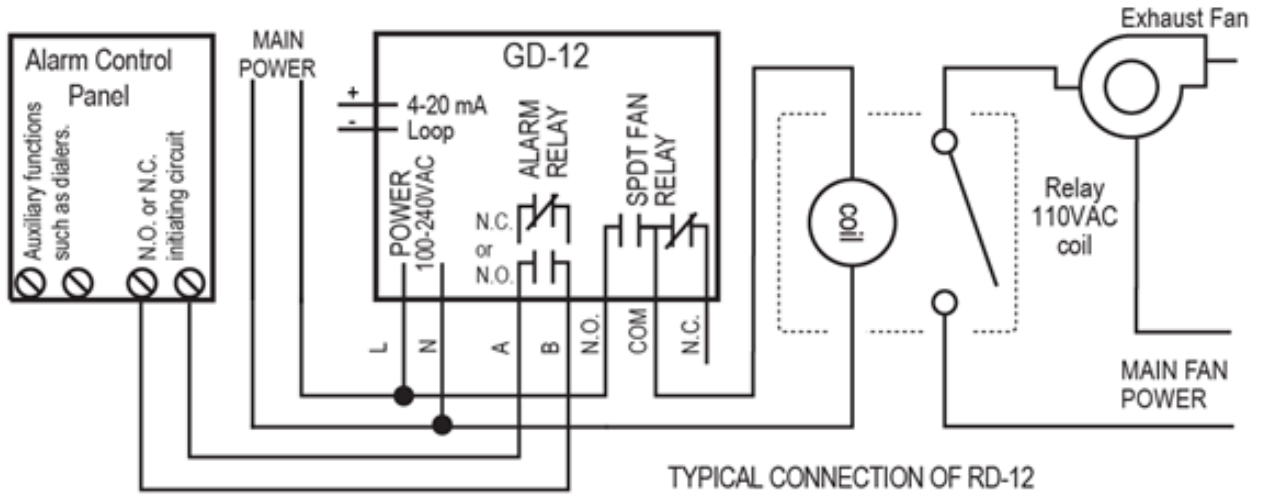


Figura 3-12 – Uso de la serie 12 con el panel de alarma

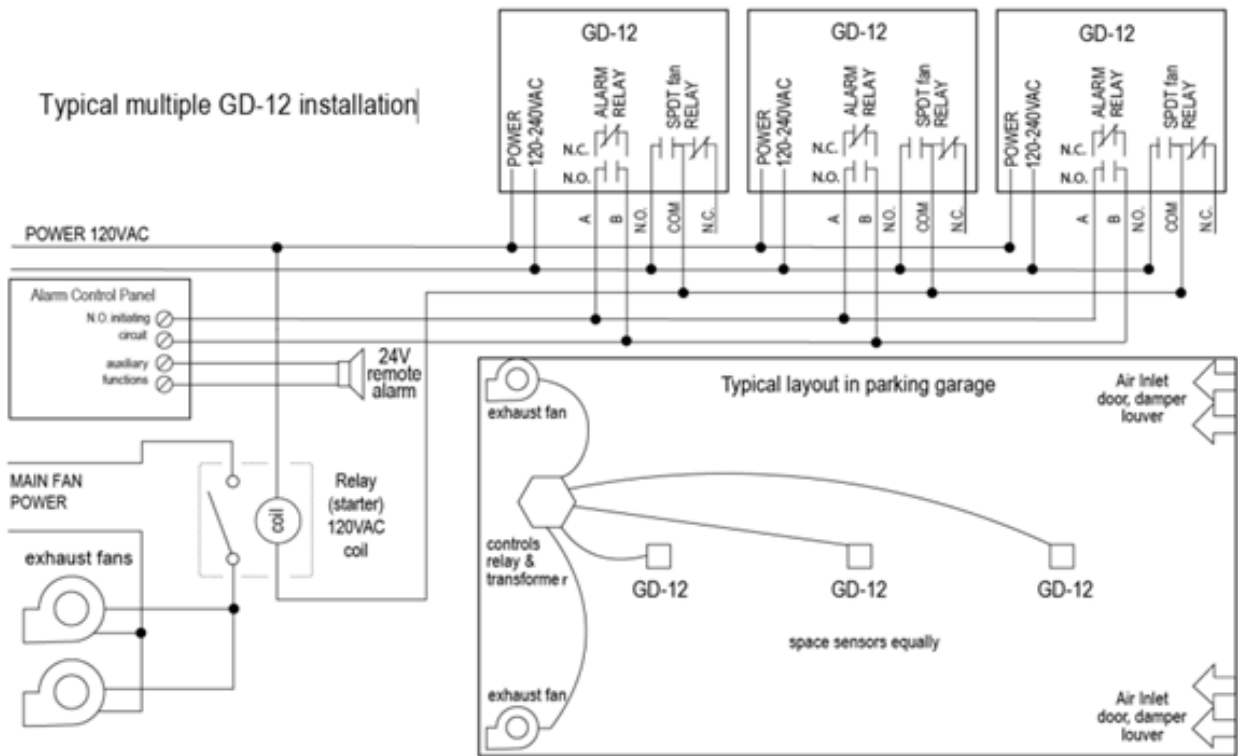


Figura 3-13 – Panel de control de la serie 12 DVP-120

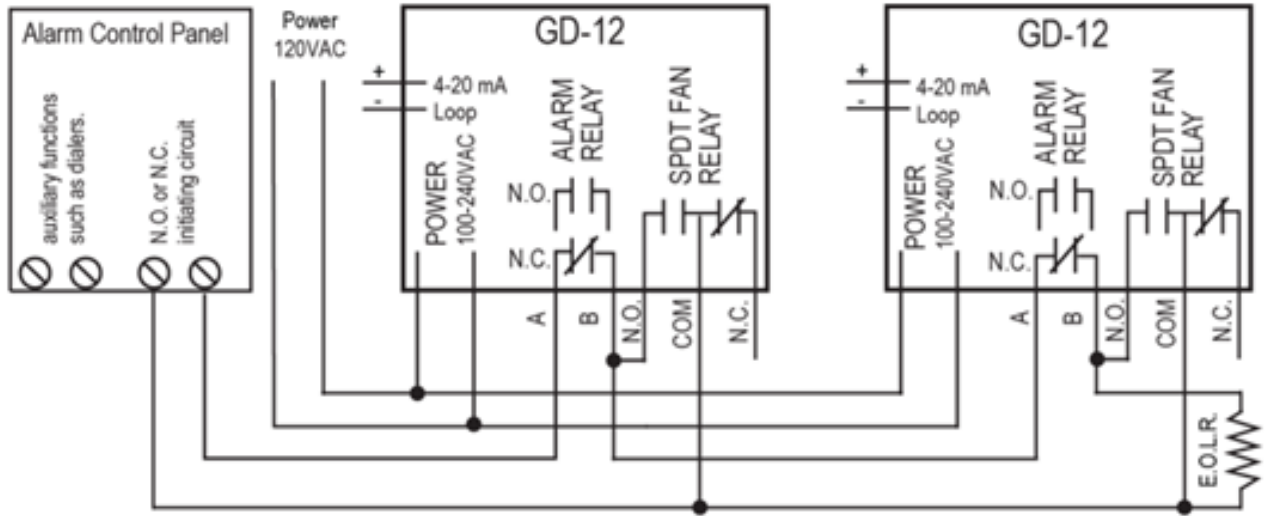


Figura 3-14 – Panel de alarma alternativo de la serie 12

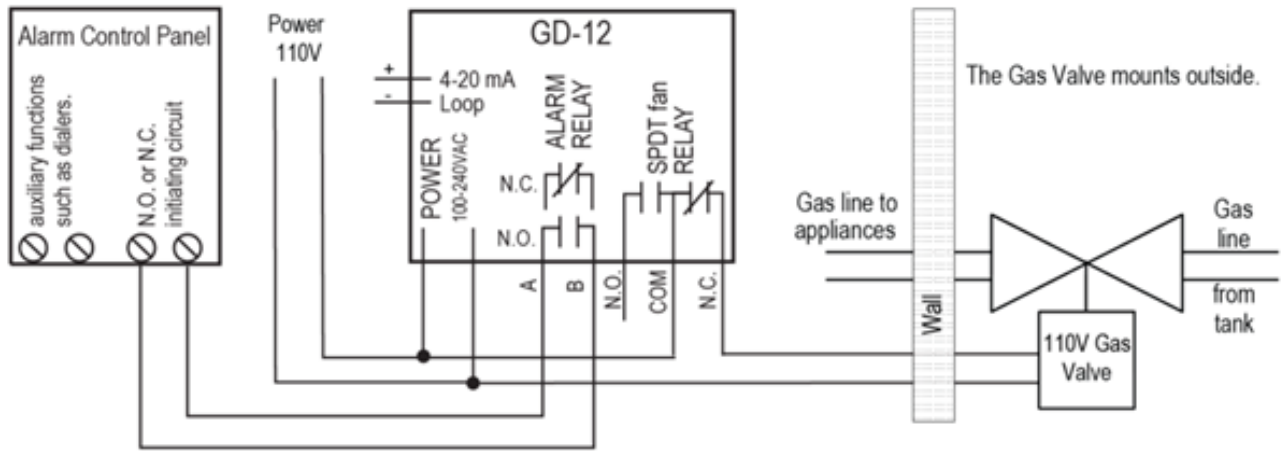


Figura 3-15 – Panel de alarma de la serie 12 con válvula de cierre

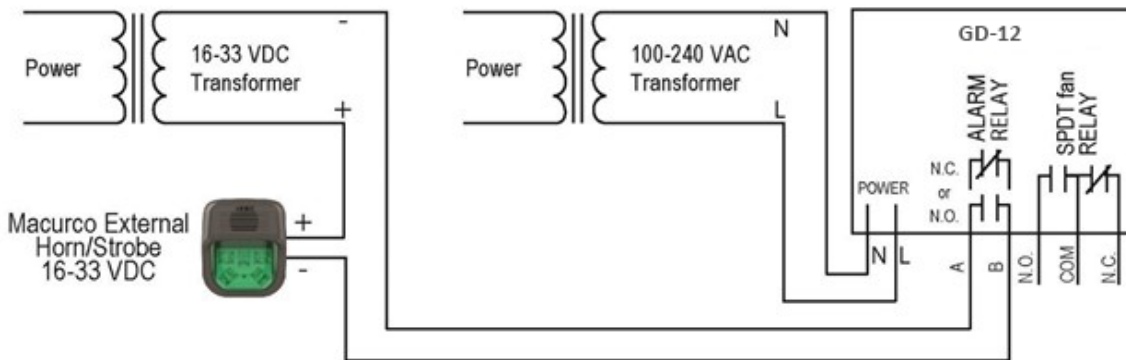


Figura 3-15 – 12-Series Horn & Strobe Combo Cableado

3.3 Conexión de terminal

3.3.1 Serie 6 de baja tensión

Con la excepción de la tierra de seguridad, todo el cableado de campo se completa a través de conectores modulares (proporcionados). Después del cableado, simplemente conecte los conectores modulares a los conectores correspondientes en la parte posterior del detector.

NOTA: Se utilizará un cable de 22 a 12 GTE. El alambre utilizado debe cumplir con el rango de temperatura del detector, es decir, de 0 ° F a 125 ° F (-18°C a 52°C).

3.3.1.1 Conexión de alimentación de la red eléctrica

Conecte el GD-6 a la fuente de alimentación de clase 2 solamente. Se sugiere utilizar un transformador separado para alimentar la unidad o unidades debido a posibles interferencias de otros dispositivos en la misma fuente de alimentación. Conecte el GD-6 a los cables de control con enchufes de terminal. Al realizar conexiones, asegúrese de que la alimentación esté apagada. Hay dos terminales para alimentación: 12 a 24 VCA o 12 a 32 VCC, sin preferencia de polaridad

Asegúrese de que el cable no se pueda extraer fácilmente del conector. Enchufe la conexión modular en la conexión ventilador/alimentación y asegúrese de que se enganche correctamente al cabezal.

3.3.1.2 Conexión de relé de ventilador

Todos los terminales de relé de ventilador SPDT están disponibles en el conector modular ventilador/alimentación. Cada terminal de relé de ventilador normalmente abierto, común y normalmente cerrado (NO, COM y NC) puede acomodar un tamaño de cable de 12 a 22 AWG. Para instalar el cableado de los relés, desconecte el conector del cabezal. Despoje el aislamiento de cada cable hacia atrás aproximadamente 1/4 de pulgada (6,5 mm), inserte el cable desnudo en el terminal y apriete la abrazadera del tornillo. Asegúrese de que el cable no se pueda extraer fácilmente del conector. Enchufe la conexión modular en la conexión ventilador/alimentación y asegúrese de que se enganche correctamente al cabezal.

3.3.1.3 Conexión de retransmisión de alarma

Las conexiones de alarma externas (A y B) están disponibles en el conector modular de alarma. No hay polaridad para estas conexiones. Para instalar el cableado de los contactos de alarma, desconecte el conector del cabezal del detector. Despoje el aislamiento de cada cable hacia atrás aproximadamente 1/4 de pulgada (6,5 mm), inserte el cable desnudo en el terminal y apriete la abrazadera del tornillo. Asegúrese de que el cable no se pueda extraer fácilmente del conector. Cuando los cables están conectados, asiente el conector modular en el cabezal, asegurándose de que el pestillo se enganche

3.3.1.4 Conexión de señal de 4-20 mA

Las conexiones de señal de 4-20mA positivas y negativas (+ y -) están disponibles en el conector modular de 4-20mA, un conector de 2 posiciones. Para instalar el cableado para los contactos de 4-20 mA, desconecte el conector del cabezal del detector. Despoje el aislamiento de cada cable hacia atrás aproximadamente 1/4 de pulgada (6,5 mm), inserte el cable desnudo en el terminal y apriete la abrazadera del tornillo. Asegúrese de que el cable no se pueda extraer fácilmente del conector. Cuando los cables están conectados, asiente el conector modular en el cabezal, asegurándose de que el pestillo se enganche

3.3.2 Voltaje de línea de la serie 12

Con la excepción de la tierra de seguridad, todo el cableado de campo se completa a través de conectores modulares (proporcionados). Después del cableado, simplemente conecte los conectores modulares a los conectores correspondientes en la parte posterior del detector.

3.3.2.1 Conexión de alimentación

Las conexiones a la red eléctrica deben realizarse de acuerdo con los códigos eléctricos nacionales y locales. Solo el personal calificado debe conectar la alimentación de la red eléctrica a cualquier dispositivo. Macurco recomienda un tamaño mínimo de cable de AWG18 y el aislante de alambre debe estar clasificado para un servicio de 140 ° F (60 ° C). El conector modular aceptará cables de 12 a 24 AWG.

El cable de tierra de seguridad debe estar sujeto al tornillo de tierra de la caja eléctrica metálica. Apriete el tornillo y asegúrese de que el cable esté ajustado. Asegúrese de que el cable no se pueda sacar de debajo del tornillo.

Los cables de línea (L) y neutro (N) deben desmontarse 1/4 de pulgada (6,5 mm), insertar el cable en las posiciones de alambre "L" y "N" del conector modular ventilador/alimentación y apretar la abrazadera del tornillo. Asegúrese de que el cable no se pueda extraer fácilmente del conector. Enchufe la conexión modular en la conexión ventilador/alimentación y asegúrese de que se enganche correctamente al cabezal.

3.3.2.2 *Conexión de relé de ventilador*

Todos los terminales de relé de ventilador SPDT están disponibles en el conector modular ventilador/alimentación. Cada terminal de relé de ventilador normalmente abierto, común y normalmente cerrado (NO, COM y NC) puede acomodar un tamaño de cable de 12 a 24 AWG. Para instalar el cableado de los relés, desconecte el conector del cabezal. Despoje el aislamiento de cada cable hacia atrás aproximadamente 1/4 de pulgada (6,5 mm), inserte el cable desnudo en el terminal y apriete la abrazadera del tornillo. Asegúrese de que el cable no se pueda extraer fácilmente del conector. Enchufe la conexión modular en la conexión ventilador/alimentación y asegúrese de que se enganche correctamente al cabezal.

3.3.2.3 *Conexión de retransmisión de alarma*

Las conexiones de alarma externas (A y B) están disponibles en el conector modular de alarma. No hay polaridad para estas conexiones. Para instalar el cableado de los contactos de alarma, desconecte el conector del cabezal del detector. Despoje el aislamiento de cada cable hacia atrás aproximadamente 1/4 de pulgada (6,5 mm), inserte el cable desnudo en el terminal y apriete la abrazadera del tornillo. Asegúrese de que el cable no se pueda extraer fácilmente del conector. Cuando los cables están conectados, siste el conector modular en el cabezal, asegurándose de que el pestillo se enganche.

3.3.2.4 *Conexión de señal de 4-20 mA*

Las conexiones de señal de 4-20mA positivas y negativas (+ y -) están disponibles en el conector modular de 4-20mA, un conector de 2 posiciones. Para instalar el cableado para los contactos de 4-20 mA, desconecte el conector del cabezal del detector. Despoje el aislamiento de cada cable hacia atrás aproximadamente 1/4 de pulgada (6,5 mm), inserte el cable desnudo en el terminal y apriete la abrazadera del tornillo. Asegúrese de que el cable no se pueda extraer fácilmente del conector. Cuando los cables están conectados, siste el conector modular en el cabezal, asegurándose de que el pestillo se enganche.

NOTA: Las salidas de bucle de corriente de 4-20mA se pueden utilizar con el panel de control macurco DVP-120 u otros sistemas. Las conexiones de señal de 4-20mA a los detectores deben ser de tamaño AWG18 (mínimo) para tiradas cortas. Consulte la tabla para ver los medidores de alambre recomendados. No aconte las conexiones de señal del detector 4-20mA con cables de alimentación de CA para evitar interferencias eléctricas. Si las conexiones de alimentación de CA deben agruparse con los cables de señal del detector 4-20mA, las conexiones de señal deben realizarse con un par trenzado del medidor apropiado, con un escudo general de lámina y trenza. Todos los blindajes se deben terminar en el extremo DVP-120 del cable solamente. Se proporciona un poste de tierra cerca de la esquina inferior izquierda del panel DVP-120.

4 Operaciones

4.1 prender

El GD-6 pasa por un ciclo interno de autodiagnóstica durante el primer minuto que se alimenta. La unidad ejecutará el ciclo de prueba cada vez que se caiga y se vuelva a aplicar la energía (es decir, apagón). Durante el ciclo de auto-prueba, la unidad mostrará el número de versión del firmware, luego contará hacia abajo de 60 a 0 (si la configuración de la pantalla es "On") y finalmente entrará en funcionamiento normal. El relé de alarma se activará durante 10 segundos y el relé del ventilador durante 60 segundos durante el ciclo de encendido a menos que la opción "Prueba de encendido" (PUt) esté desactivada. La luz indicadora (LED) parpadeará en verde durante el ciclo de autodiagnóstica. Al final del ciclo de 1 minuto, la unidad tomará su primera muestra del aire y la luz indicadora se volverá verde sólida.

4.2 Pantalla activada

Aire limpio – Con la función de visualización activada, el GD-xx mostrará la concentración actual de gas combustible en % LEL o "0.0"(cero) en aire limpio.

Nivel del ventilador : cuando la concentración de gas alcanza el ajuste del relé del ventilador(10.0,por ejemplo), la pantalla parpadeará hacia adelante y hacia atrás entre "FAn" y "10.0"o la concentración actual de gas.

Nivel de alarma : con la función de visualización activada y la concentración de gas alcanzando la configuración del relé de alarma,(20.0 %,por ejemplo) la pantalla parpadeará de un lado a otro entre "ALr" y "20.0"o la concentración actualde gas. El zumbador sonará indicando "Alarma" si el zumbador está encendido.

Problemas : con la función de visualización activada y el dispositivo está en un estado de problemas, la pantalla mostrará el código de error "t" (t01, por ejemplo). Si la configuración del ventilador de problemas está activada, el relé del ventilador cambiará la activación del relé. Consulte section [4.5.11 Trouble Fan Setting – "tFS"](#) y sección [5.1.2 "t" Códigos de error](#) y

Calibración debida: con la funcionalidad período de calibración habilitada, si un detector está dentro de 1 mes del período de calibración, la pantalla parpadeará de un lado a otro entre "dUE" y la lectura de gas actual. La calibración debida solo se resuelve con una calibración de campo correcta.

4.3 Pantalla desactivada

Aire limpio : con la función de visualización desactivada, la pantalla no muestra la concentración de gas. Solo la luz indicadora de encendido estará encendida.

Nivel del ventilador : cuando la concentración de gas alcanza la configuración del relé del ventilador (10.0, por ejemplo), la pantalla mostrará "FAn" continuamente mientras el relé del ventilador esté habilitado. Esto aparece como lentamente parpadeando "FAn".

Nivel de alarma : con la función de visualización apagada, la pantalla no muestra la concentración de gas, pero mostrará "ALr" cuando se active el relé de alarma.

Problemas : con la función de visualización desactivada y el dispositivo está en un estado de problemas, la pantalla mostrará el código de error "t" (t01, por ejemplo). Si la configuración del ventilador de problemas está activada, el relé del ventilador cambiará la activación del relé. Consulte la Sección [4.5.11 Configuración del ventilador de problemas – "tFS"](#) y los Códigos de error de la Sección [5.1.2 "t"](#).

Calibración debida: con la funcionalidad período de calibración habilitada, si un detector está dentro de 1 mes del período de calibración, la pantalla mostrará "dUE" continuamente. La calibración debida solo se resuelve con una calibración de campo correcta.

4.4 Lazo 4-20mA

La configuración de 4-20mA seleccionada para 'bAS' o 'EnH' se considera como función de 4-20mA activada.

Aire limpio – Con la función de 4-20 mA activada y la concentración actual de gas en "0.0"(cero), el bucle de 4-20mA dará como resultado 4 mA.

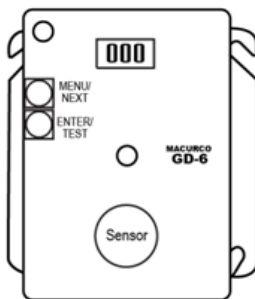
Lectura de gas – Con la función de 4-20 mA activada, la salida leerá entre 4 mA y 20 mA dependiendo de la concentración actual de metano, propano o hidrógeno.

Problemas : con la función de 4-20 mA activada y la configuración del ventilador de problemas habilitada. El bucle 4-20mA dará salida a 1 mA o 24 mA dependiendo de la condición de problema. Consulte la Sección [5.1 Diagnósticos a bordo](#).

4.5 Predeterminado: configuración de fábrica

ajuste:	predeterminado:
gas	mE (metano)
Prueba de encendido	en
Monitor	apagado
zumbador	apagado
Configuración del relé de alarma	20% LEL
Configuración del relé de alarma	Normalmente abierto (NO)
Configuración del relé del ventilador	10% LEL
Retardo de relé del ventilador	3 minutos
Tiempo de ejecución mínimo de retransmisión de ventilador	0 minutos
Enganche del relé del ventilador	apagado
Configuración del ventilador de problemas	apagado
4-20mA	en

Tabla 4-1 – Configuración predeterminada



Cuadro 4-1 – Vista del tablero

4.5.1 Selección de gas

Para seleccionar la opción de gas, en modo normal, presione el botón Siguiente una vez para mostrar la selección de gas actual (**mE** es metano, **proano** y **Hy** es hidrógeno). A continuación, pulse el botón Intro dos veces para entrar en el menú de selección. El gas seleccionado actualmente se mostrará en la pantalla. Pulse Siguiente para desplazarse por las selecciones de gases disponibles. El gas seleccionado parpadeará, pulse Intro para seleccionar el gas y Intro de nuevo para confirmar la selección. Para volver al modo normal, presione Siguiente hasta que se muestre "Fin" y presione Entrar.

4.5.2 Selección de la configuración predeterminada – "dEF"

Para seleccionar la Configuración Predeterminada, en modo normal, pulse el botón Siguiente dos veces para llegar a "Con" o al menú Configuración. A continuación, pulse el botón Intro para entrar en el menú Estafa. La primera selección es la configuración "dEF" o predeterminada. Pulse Intro. Si ya está en configuración predeterminada, no habrá ninguna acción. Si aún no está en Configuración predeterminada, se mostrará "nO". Presione Siguiente para cambiarlo a "yES" (parpadeando) luego presione Enter para confirmar el cambio (sólido) y presione Enter nuevamente para volver a "dEF" en el menú Con. Presione Siguiente hasta que se muestre "Fin" y luego presione Entrar para volver al funcionamiento normal.

4.5.3 Configuración de prueba de encendido – "PUt"

Para seleccionar la configuración de prueba de encendido, en modo normal, presione el botón Siguiente dos veces para llegar a "Con" o el menú Configuración. A continuación, pulse el botón Intro para entrar en el menú Estafa. Luego presione el botón Siguiente para llegar a la segunda selección "PUt" o la configuración de prueba de encendido. Pulse Intro. Si la prueba está "On" presione Next para activarla "OFF" (parpadeando) luego presione Enter para confirmar el cambio (sólido) y presione Enter nuevamente para volver a "PUt" en el menú Con. Presione Siguiente hasta que se muestre "Fin" y luego presione Entrar para volver al funcionamiento normal.

4.5.4 Configuración de pantalla – "dSP"

Para seleccionar la Configuración de pantalla, en modo normal, pulse el botón Siguiente dos veces para llegar a "Con" o al menú Configuración. A continuación, pulse el botón Intro para entrar en el menú Estafa. A continuación, pulse el botón Siguiente dos veces para llegar a la tercera selección "dSP" o configuración de pantalla. Pulse Intro. Si la pantalla está "En" presione Siguiente para apagarla (parpadear) luego presione Enter para confirmar el cambio (sólido) y presione Enter nuevamente para volver a "dSP" en el menú Con. Presione Siguiente hasta que se muestre "Fin" y luego presione Entrar para volver al funcionamiento normal.

4.5.5 Configuración del zumbador – "bUZ"

Para seleccionar la configuración del zumbador, en modo normal, presione el botón Siguiente dos veces para llegar a "Con" o el menú configuración. A continuación, pulse el botón Intro para entrar en el menú Estafa. La cuarta selección es la configuración "bUZ" o Buzzer. Presione Siguiente tres veces para llegar a "bUZ" y luego presione Entrar. Si la pantalla está "En" presione Siguiente para desactivarla (parpadeando) luego presione Enter para confirmar el cambio (sólido) y presione Enter nuevamente para volver a "bUZ" en el menú Con. Presione Siguiente hasta que se muestre "Fin" y luego presione Entrar para volver al funcionamiento normal.

4.5.6 Configuración del relé de alarma – "ArS"

Para seleccionar la configuración de relé de alarma, en modo normal, presione el botón Siguiente dos veces para llegar a "Con" o el menú Configuración. A continuación, pulse el botón Intro para entrar en el menú Estafa. La quinta selección es el "ArS" o configuración de relé de alarma. Presione Siguiente cuatro veces para llegar a "ArS" y luego presione Enter. Si la pantalla es "dIS" (deshabilitada), presione Siguiente para cambiarla a 5, 10, 15, 20 o 25% LEL (parpadeante) luego presione Enter para confirmar el cambio (sólido) y presione Enter nuevamente para volver a "ArS" en el menú Con. Presione Siguiente hasta que se muestre "Fin" y luego presione Entrar para volver al funcionamiento normal.

4.5.7 Configuración del relé de alarma – "Arc"

Para seleccionar la Configuración del relé de alarma, en modo normal, pulse el botón Siguiente dos veces para llegar a "Con" o al menú Configuración. A continuación, pulse el botón Intro para entrar en el menú Estafa. La sexta selección es el "Arco" o configuración de relé de alarma. Presione Siguiente cinco veces para llegar a "Arco" y luego presione Entrar. Si el relé es "nO" (normalmente abierto) presione Siguiente para convertirlo a "nC" (parpadeando) luego presione Enter para confirmar el cambio (sólido) y presione Enter nuevamente para volver a "Arc" en el menú Con. Presione Siguiente hasta que se muestre "Fin" y luego presione Entrar para volver al funcionamiento normal.

4.5.8 Ajuste del relé del ventilador – "frs"

Para seleccionar la configuración de Relé de ventilador, en modo normal, presione el botón Siguiente dos veces para llegar a "Con" o al menú Configuración. A continuación, pulse el botón Intro para entrar en el menú Estafa. La séptima selección es el ajuste "FrS" o Fan Relay. Presione Siguiente seis veces para llegar a "FrS" y luego presione Enter. Si el relé del ventilador es "DIS" (desactivado), pulse Siguiente para cambiarlo a 3, 4, 5, 6, 7, 8, 9, 10, 11, 12, 13, 14, 15, 16, 17, 18, 19 o 20% LEL (parpadeante) y luego presione Entrar para confirmar el cambio (sólido) y presione Entrar nuevamente para volver a "FrS" en el menú Con. Presione Siguiente hasta que se muestre "Fin" y luego presione Entrar para volver al funcionamiento normal.

4.5.9 Ajuste de retardo del relé del ventilador – "FrD"

Para seleccionar la configuración de Retraso de relé del ventilador, en modo normal, presione el botón Siguiente dos veces para llegar a "Con" o al menú Configuración. A continuación, pulse el botón Intro para entrar en el menú Estafa. La octava selección es el "FrD" o Fan Relay Delay. Presione Siguiente siete veces para llegar a "FrD" y luego presione Enter. Si el retraso es "0" (deshabilitado), presione Siguiente para cambiarlo a 1, 3, 5 o 10 minutos (parpadeante), presione Entrar para confirmar el cambio (sólido) y presione Entrar nuevamente para volver a "FrD" en el menú Estafa. Presione Siguiente hasta que se muestre "Fin" y luego presione Entrar para volver al funcionamiento normal.

4.5.10 Configuración de tiempo de ejecución mínima de retransmisión de ventilador – "Frr"

Para seleccionar la configuración de Tiempo de ejecución mínimo del ventilador, en modo normal, presione el botón Siguiente dos veces para llegar a "Con" o al menú Configuración. A continuación, pulse el botón Intro para entrar en el menú Estafa. La novena selección es el "Frr" o tiempo de ejecución mínimo del ventilador. Presione Siguiente ocho veces para llegar a "Frr" y luego presione Enter. Si el tiempo de ejecución es "0" (deshabilitado), presione Siguiente para cambiarlo a 3, 5, 10 o 15 minutos (parpadeando) luego presione Entrar para confirmar el cambio (sólido) y presione Entrar nuevamente para volver a "Frr" en el menú Con. Presione Siguiente hasta que se muestre "Fin" y luego presione Entrar para volver al funcionamiento normal.

4.5.11 Ajuste de enganche del relé del ventilador – "FrL"

Para seleccionar la opción de enganche de relé de ventilador, en modo normal, presione el botón Siguiente dos veces para llegar a "Con" o al menú Configuración. A continuación, presione el botón Entrar para entrar en el menú Estafa. La décima selección es la opción "FrL" o Fan Relay Latching. Presione Siguiente nueve veces para llegar a "FrL" y luego Ingrese. Si el enganche es "OFF" presione Next para activarlo a "On" (parpadeo) y luego presione Enter para confirmar el cambio (sólido) y presione Enter nuevamente para volver a "FrL" en el menú Con. Presione Siguiente hasta que se muestre "Fin" y luego presione Enter para volver al funcionamiento normal.

4.5.12 Configuración del ventilador de problemas – "tFS"

Para seleccionar la opción de configuración del ventilador de problemas, en modo normal, presione el botón Siguiente para llegar a "Con" o el menú Configuración. A continuación, presione el botón Entrar para entrar en el menú Estafa. La undécima selección es la opción "tFS" o Trouble Fan Setting. Presione Siguiente diez veces para llegar a "tFS" y luego Ingrese. Si la configuración del ventilador de problemas es "OFF", presione Next para activarlo a "On" (parpadeando) y luego presione Enter para confirmar el cambio (sólido) y presione Enter nuevamente para volver a "tFS" en el menú Con. Presione Siguiente hasta que se muestre "Fin" y luego presione Enter para volver al funcionamiento normal.

4.5.13 Ajuste de salida 4-20mA – "420"

Para seleccionar la opción de salida 4-20mA, en modo normal, presione el botón Siguiente para llegar a "Con" o el menú Configuración. A continuación, presione el botón Entrar para entrar en el menú Estafa. La duodécima selección es la opción de salida "420" o 4-20mA. Empuje siguiente once veces para llegar a "420" a continuación, entrar. Si el 4-20mA es "On" push Next para girarlo a "OFF" (parpadeando) entonces empuje Enter para confirmar el cambio (sólido) y empuje Enter de nuevo para volver a "420" en el menú Con. Presione Siguiente hasta que se muestre "Fin" y luego presione Enter para volver al funcionamiento normal.

5 Solución de problemas

5.1 Diagnósticos a bordo

El GD-6 supervisa todas las funciones críticas de la unidad a través de diagnósticos de software que prueban y verifican continuamente las operaciones de la unidad. Si se encuentra un problema, la unidad cambiará a un modo a prueba de fallos/error o condición de problema. En este modo de error, se activará el relé de alarma, el bucle de corriente de 4-20 mA irá a 24 mA, la unidad mostrará el código de error, la luz LED del indicador de estado verde parpadeará y el zumbador chirriará intermitentemente. El relé del ventilador también se activará si la opción de configuración del ventilador problemático se establece en "ON". Esta es una precaución de seguridad. Para borrar este modo, simplemente apague la alimentación de la unidad durante unos segundos o presione el interruptor de prueba (dentro de la unidad). Esto hará que la unidad reinicie el ciclo de autodiagnóstica de 1 minuto.

5.1.1 Solución de problemas de 4-20 mA

- 0 mA es muy probablemente un problema de conexión
- 4-20 mA es el rango de lectura de gas normal (0-50% LEL)
- 24 mA indica una condición de problema

5.1.2 Códigos de error "t"

tXX	
t01	Error grave del sensor
t02	Error de regulación de desplazamiento del sensor
t04	Error de algoritmo de sensor
t08	Error de salida del sensor
t10	Error de autodiagnóstico del sensor
t20	Error fuera de rango del sensor
t40	Error de memoria del sensor

tYYY	
t001	Falta el sensor (sólo al encender)
t002	En cada encendido comprueba si ese ABC está deshabilitado. Si no está deshabilitado, intentará configurarlo para deshabilitarlo. Si falla, desencadenará el problema t002.
t004	Suma de comprobación incorrecta de EEPROM.
t008	Error de comunicación Modbus (durante el funcionamiento normal).
t010	Mala EEPROM
t020	Mala calibración de fábrica.
t040	Nunca calibrado fábrica.
t080	Mala presión durante la calibración de fábrica
t100	Bajo rango. La lectura es inferior a -100ppm durante más de 15 segundos
t200	Sensor caducado
t400	Sensor de presión de problemas
t800	Placa no probada

Nota: Para los códigos de problemas superiores a 080, la pantalla alternará entre t_1 y t00 para t100 y entre t_2 y t00 para t200.

Si el modo de error se repite con frecuencia, compruebe si hay alimentación continua y voltaje adecuado. Si la alimentación no es el problema y una unidad tiene condiciones de error repetidas, es posible que deba devolverse a Macurco para el servicio, según estas Instrucciones de usuario.

Si el modo de error indica "Sensor caducado", consulte la sección Sensor Life Reset de estas Instrucciones para el usuario.

5.2 Venenos de sensores

El sensor de gas en el detector está diseñado con extrema sensibilidad al medio ambiente. Como resultado, la función de detección puede deteriorarse si se expone a siliconas, como el aceite común y lubricantes con compuestos de silicio utilizados como aditivos en maquinaria, compuestos halógenos, que se utilizan en extintores de incendios y freón utilizado en refrigerantes, compuestos organometálicos, compuestos de azufre, compuestos de cloro, acetileno, olefinas o altas concentraciones de gas combustible.

5.3 Señal de fin de vida útil

El GD-6 tiene un sensor de perlas catalíticas de larga duración no reemplazable. Cinco (5) años después de que se instale el GD-6, se activará la señal de fin de vida útil del sensor, lo que indica que el GD-6 ha llegado al final de su vida útil típica. La señal de fin de vida causará un código de error t200 "Sensor caducado". Consulte la sección Códigos de error. La señal de fin de vida útil se puede silenciar durante 48 horas pulsando el botón "ENTER/TEST" o dejando caer temporalmente la alimentación de la unidad. La señal de fin de vida útil proporciona al usuario la oportunidad de probar y/o calibrar el sensor asegurando que todavía está funcionando dentro de parámetros aceptables, aunque el sensor se está acercando al final de su vida útil esperada. La función de silencio seguirá estando disponible durante 29 días después de que el GD-6 inicie la señal inicial de fin de vida útil. Después de este período de 29 días, el GD-6 ya no se puede silenciar y el sensor debe calibrarse y restablecerse la vida útil del sensor o reemplazar el detector GD-6.

advertencia

No desensamblar la unidad ni intentar reparar o modificar ningún componente de este instrumento. Este instrumento no contiene piezas reparables por el usuario, y la sustitución de componentes puede afectar el rendimiento del producto.

6 mantenimiento

El GD-6 es de bajo mantenimiento. La unidad utiliza un sensor pellistor de larga vida que tiene una esperanza de vida de más de 5 años. El rendimiento del detector debe probarse regularmente mediante el uso de gas como se detalla en las secciones de pruebas y calibración de campo. Todos los demás mantenimientos y reparaciones de los productos fabricados por Macurco deben realizarse en la planta de fabricación apropiada de Macurco. Macurco no sanciona ninguna instalación de reparación de terceros.

6.1 Restablecimiento de la vida útil del sensor

1. Desmonte el tornillo Philips de la parte delantera del GD-6. Tire de la cubierta delantera de la unidad.
2. Para restablecer la vida útil del sensor (rSt), desde el modo normal o de calentamiento, pulse el botón Siguiete cinco veces para llegar al modo SEn o sensor.
3. Luego presione el botón Enter para llegar a "rSt" - Restablecer el modo del sensor.
4. Pulse de nuevo el botón Intro para ver el estado de restablecimiento del sensor. Si la vida útil del sensor ya se ha restablecido, se mostrará "don" hecho. Si aún no se ha restablecido, se mostrará "no". Presione Siguiete para cambiarlo a "Sí" (parpadeante) luego presione Entrar para confirmar el cambio (sólido) y presione Entrar nuevamente para volver a "rSt" en el menú SEn. Presione Siguiete hasta que se muestre "Fin" y luego presione Enter para volver al funcionamiento normal. La vida útil del sensor se restablecerá durante 1 año.

NOTA: Si el sensor se restablece y el detector no se reemplaza, es necesario probar y/o calibrar el sensor para asegurarse de que sigue funcionando dentro de las especificaciones aceptables, aunque el sensor se está acercando al final de su vida útil esperada. No habrá ninguna otra indicación del rendimiento del sensor.

6.2 limpieza

La limpieza de las superficies externas se lleva a cabo mejor con un paño húmedo con un detergente suave o jabón. Use una aspiradora con cepillo suave para eliminar el polvo o la contaminación debajo de la cubierta. No sople el sensor con aire comprimido.

cautela

Evite el uso de materiales de limpieza agresivos, abrasivos y otros disolventes orgánicos. Dichos materiales pueden rayar permanentemente las superficies y dañar la ventana de visualización, las etiquetas, el sensor o la carcasa del instrumento.

7 Ensayo

advertencia

El uso de un gas certificado con una concentración distinta de la indicada para este detector al realizar una prueba de verificación de calibración (prueba de protuberancia) producirá lecturas inexactas. Esto significa que los niveles más altos del gas que se está monitoreando pueden estar presentes y podrían resultar en una sobreexposición. Para un uso adecuado, consulte el supervisor o el Manual del usuario, o comuníquese con soporte técnico al 1-844-325-3050.

Todas las unidades GD-6 están calibradas de fábrica y 100% probadas para un funcionamiento adecuado. Durante el funcionamiento normal, la luz LED del indicador de estado verde estará encendida de forma constante, el ventilador y el relé de alarma estarán en modo de espera y la salida de 4-20 mA estará a 4mA (en aire limpio). La unidad también realiza una autodiagnóstica automática regular durante el funcionamiento normal. Si la unidad detecta un voltaje incorrecto o un componente inoperable, entrará por defecto en el modo error. En este modo de error, se activará el relé de alarma, el bucle de corriente de 4-20 mA irá a 24 mA, la unidad mostrará el código de error, la luz LED del indicador de estado verde parpadeará y el zumbador chirriará intermitentemente. El relé del ventilador también se activará si la opción de configuración del ventilador problemático se establece en "ON".

7.1 ensayo

7.1.1 Prueba de operación

Compruebe que la luz LED indicadora de estado verde GD-6 esté iluminada continuamente. Si no es así, no proceda con las pruebas. Si la unidad está en modo de error, póngase en contacto con su representante local o con el representante del servicio técnico de Macurco para obtener información sobre cómo resolver el problema.

1. Desmonte el tornillo único en el centro de la cubierta frontal del GD-6.
2. Desmonte la cubierta delantera.
3. Observe la luz LED en la parte frontal del GD-6.
4. Si la luz es de color verde sólido, continúe con el paso 6.
5. Si la luz LED del indicador de estado verde está apagada o parpadeando, consulte la sección General anterior.
6. Localice el interruptor con la etiqueta ENTER/TEST en el lado izquierdo de la placa de circuito impreso. Presione el interruptor de prueba una vez.
7. El GD-6 pasará por una prueba de ciclo:
 - a. La pantalla progresa a través de la BUZ (Buzzer Test) Art (prueba de relé de alarma), Frt (prueba de relé de ventilador) y luego 42t (prueba de salida de 4-20 mA). Asegúrese de que la configuración está "en" o no deshabilitado "diS".
 - b. Durante los primeros 10 segundos del ciclo de prueba, la pantalla mostrará BUZ y apagará el zumbador audible
 - c. El relé de alarma se cerrará, por lo que se probarán todos los dispositivos conectados a ese relé.
 - d. El relé del ventilador se activará durante el próximo 1 minuto de la prueba, por lo que si los circuitos del ventilador están cableados de la manera normal, el ventilador debe funcionar.
 - e. La salida de 4-20mA aumentará de 4 a 16 mA durante los próximos 130 segundos de la prueba, por lo que si el circuito está cableado de la manera normal, el panel de control o el sistema de automatización del edificio deben responder.
 - f. Al final del ciclo de prueba, la luz se volverá verde y estará encenditiva (Operación Normal), el ventilador y el relé de alarma estarán en modo de espera y la salida de 4-20 mA volverá a 4 mA (en aire limpio).
8. Cuando se complete la prueba, vuelva a montar la unidad o unidades.

7.1.2 Prueba de operación manual

Esta opción ofrece al usuario la oportunidad de iniciar manualmente una prueba individual para cada relé, la salida analógica y la respuesta del sensor al gas. Desde el modo de operación normal, presione el botón Siguiente 3 veces para llegar al Modo de prueba (tSt). Presione el botón Enter una vez para entrar en el menú de prueba. Pulse el botón Siguiente para desplazarse por las cuatro opciones de prueba y pulse Intro para iniciar la prueba seleccionada. Tenga en cuenta que si se ha desactivado el relé o la salida de 4 a 20 mA, la selección de prueba no se mostrará en el menú de prueba.

bUZ –Prueba del zumbador, 3 segundos

Arte - Prueba de relé de alarma, 10 segundos

Frt - Prueba de relé del ventilador, 60 segundos

Prueba de bucle 42t - 420, 25 segundos

gtS - Prueba de gas, 3 minutos (sin salida al panel durante la prueba de gas)

La pantalla parpadeará durante la prueba o en el caso de la prueba de gas el nivel se alternará con el gas esperado (mE, Pro o Hy). Una vez completada la prueba, la pantalla volverá a la pantalla constante. Para salir del menú de prueba, presione el botón Siguiente hasta que se muestre "Fin", luego presione Enter para volver al modo normal.

7.2 Kits de calibración y prueba

advertencia

Se deben realizar los siguientes pasos al realizar una prueba de calibración o verificación de calibración (prueba de protuberancia) para garantizar el correcto rendimiento del monitor. No hacerlo puede afectar negativamente al rendimiento del producto.

- Al realizar una prueba de calibración o verificación de calibración (prueba de protuberancia) utilice únicamente gas de calibración certificado al nivel de concentración requerido.
- No pruebe con gas de calibración caducado.
- No cubra ni obstruya la pantalla ni la cubierta de alarma visual.
- Asegúrese de que las entradas del sensor no estén obstruidas y libres de desechos

El incumplimiento de las instrucciones descritas en este manual de usuario puede resultar en enfermedad o muerte.

- Al realizar una prueba de calibración o verificación de calibración (prueba de protuberancia) utilice únicamente gas de calibración certificado al nivel de concentración requerido. No calibre con gas de calibración caducado.
- Si el instrumento no se puede calibrar, no lo use hasta que se pueda determinar y corregir la razón.
- No cubra ni obstruya la pantalla ni la cubierta de alarma visual.
- Asegúrese de que las entradas del sensor no estén obstruidas y estén libres de desechos

Se necesita un kit de calibración de campo, cal-kit 1 y una botella de gas de calibración para completar la prueba de gas. Estos están disponibles a través de la distribución local o de Macurco.

NOTA: GD-xx debe ser probado o calibrado a intervalos regulares de acuerdo con los requisitos de la Asociación Nacional de Protección contra Incendios (NFPA) 720 o los requisitos del código local. Macurco recomienda probar y calibrar al menos una vez al año como mínimo, pero dependiendo de la aplicación y el potencial de riesgo de la aplicación, podría ser necesaria una mayor frecuencia. Consulte con las autoridades locales para cualquier regulación local específica.

Contenido del Cal-Kit 1

- Cal-Kit 1(30-0011-1110-2)
 - Caso de calibración
 - Dos pies de tubo Tygon
 - Cal Hood-Macurco Pack
 - 0.2 Regulador de gas LPM (F)

También se necesitan las siguientes botellas de gas dependiendo del gas target (se vende por separado):

- **hidrógeno**
 - 70-0716-1758-6 Hidrógeno H2 Cal Cilindro de gas 34L 10% LEL (M) **(Para calibración y pruebas)**
 - 70-0716-1759-4 Hidrógeno H2 Cal Cilindro de Gas 34L 20% LEL (M) **(Para pruebas)**
- **metano**
 - 70-0716-1754-5 Cilindro de gas cal de metano CH4 34L 10% LEL (M) **(Para calibración y pruebas)**
 - 70-0716-1755-2 Metano CH4 Cal Gas Cilindro 34L 20% LEL (M) **(Para pruebas)**
- **propano**
 - 70-0716-1756-0 Propano C3H8 Cal Cilindro de gas 34L 10% LEL (M) **(Para calibración y pruebas)**
 - 70-0716-1757-8 Propano C2H8 Cal Cilindro de gas 34L 20% LEL (M) **(Para pruebas)**

Cal-Kit 1 Información

Varios detectores se pueden calibrar con un Cal-Kit. La única limitación es la cantidad de gas en el cilindro. El cilindro de 34 litros tiene aproximadamente 170 minutos de tiempo de ejecución de calibración continua. El cilindro de gas debe reemplazarse cuando el manómetro del regulador muestra 25 psi o menos.

Nota: Para obtener resultados óptimos de las pruebas, se sugiere que la unidad esté en aire limpio, con luz verde encendiéndose y en un flujo de aire ambiente bajo.

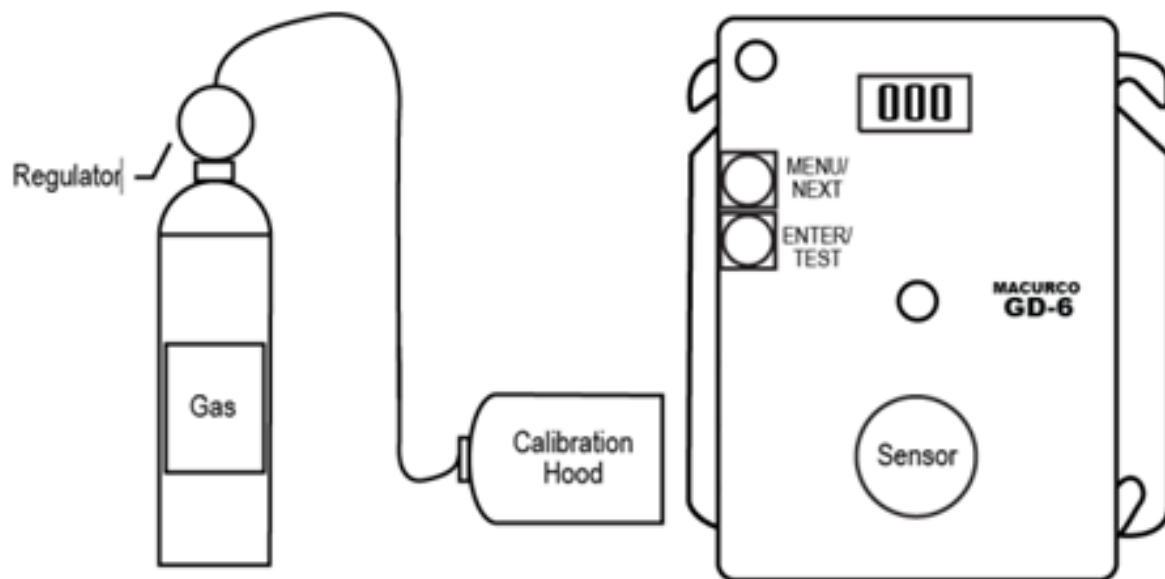
7.3 Pruebas de gas

7.3.1 Prueba del relé del ventilador

Nota: La concentración de gas para activar el relé del ventilador depende de la configuración.

1. Desmonte el tornillo Philips de la parte delantera del GD-6. Desmonte la cubierta delantera.
2. Conecte el cilindro 10% LEL de Gas Combustible al regulador. Asegúrese de que el gas utilizado para la calibración coincida con el gas seleccionado en la configuración GD-6.
3. Monte el regulador, la manguera y el capó de prueba y coloque el capó de prueba sobre el sensor de gas.
4. Compruebe el manómetro del regulador. Si tiene 25 psi o menos, deberá reemplazar el bote de gas.

Nota: El tiempo para activar el relé del ventilador depende de la configuración de retardo.



Cuadro 7-1 – Conexión de calibración

5. Encienda el regulador para iniciar el flujo de gas y espere con el gas aplicado continuamente.
6. Con la función de visualización activada, el GD-6 mostrará la concentración actual de gas o "0" (cero) en aire limpio. Cuando la concentración de gas alcanza la configuración del relé del ventilador (10% LEL, configuración predeterminada) la pantalla parpadeará hacia adelante y hacia atrás entre "FAn" y "10". Con la función de visualización desactivada, la pantalla no muestra la concentración de gas, pero mostrará "FAn" siempre y cuando se active el relé del ventilador.

Nota: Si el relé del ventilador no se cierra en 2 minutos, considere estas posibilidades:

- a. El cilindro de gas está vacío, compruebe el manómetro. Sustituya el cilindro de gas si es de 25 psi o menos.
 - b. La unidad necesita ser recalibrada (pasar por la recalibración y la re-prueba).
 - c. El detector necesita mantenimiento (unidad de retorno a la fábrica para el mantenimiento).
 - d. El detector tiene el relé del ventilador configurado para desactivar (OFF) o 20% LEL. Establezca el relé del ventilador al 10% de LEL y repita la prueba.
7. Retire el gas del sensor. Proceda a probar el relé de alarma o reemplace la cubierta superior.

7.3.2 Prueba del relé de alarma

Nota: La concentración de gas para activar el relé de alarma depende de la configuración.

Conecte el cilindro 20% LEL de Gas Combustible al regulador. Asegúrese de que el gas utilizado para la calibración coincida con el gas seleccionado en la configuración GD-6.

1. Compruebe el manómetro. Si hay 25 psi o menos, el cilindro debe ser reemplazado.
2. Coloque el capó de prueba sobre el sensor de gas. Encienda el regulador para iniciar el flujo de gas.
3. El relé del ventilador debe activarse de acuerdo con la configuración.
4. Con la función de visualización activada y la concentración de gas alcanzando el ajuste de relé de alarma (20% LEL, por ejemplo) la pantalla parpadeará de un lado a otro entre "ALr" y "20". El zumbador sonará indicando "Alarma" si el zumbador está encendido. Con la función de visualización apagada, la pantalla no muestra la concentración de gas, pero mostrará "ALr" cuando se active el relé de alarma.

Nota: Si el relé de alarma no puede funcionar en 2 minutos, considere estas posibilidades:

- a. El cilindro de gas está vacío, compruebe el manómetro. Sustituya el cilindro de gas si es de 25 psi o menos.
 - b. La unidad necesita ser recalibrada (pasar por la recalibración y la re-prueba).
 - c. El detector necesita mantenimiento (unidad de retorno a la fábrica para el mantenimiento).
 - d. El detector tiene el relé de alarma configurado para desactivar (OFF). Establezca el relé de alarma en 20% LEL y repita la prueba.
5. Retire el gas del sensor después de la prueba. Proceda a probar la salida de 4-20 mA o reemplace la cubierta superior.

7.3.3 Probando el bucle 4-20mA

Conecte el cilindro 20% LEL de Gas Combustible al regulador. Asegúrese de que el gas utilizado para la calibración coincida con el gas seleccionado en la configuración GD-6.

1. Compruebe el manómetro. Si hay 25 psi o menos, el cilindro debe ser reemplazado.
2. Coloque el capó de prueba del regulador sobre el sensor de gas. Encienda el regulador para iniciar el flujo de gas.
3. El relé del ventilador debe activarse de acuerdo con la configuración.
4. El relé de alarma debe activarse de acuerdo con la configuración.
5. La salida de 4-20 mA debería aumentar de 4mA en aire limpio a 20 mA al 50% LEL. Consulte el diagrama de 4-20 mA en estas instrucciones de usuario.

Nota: Si la salida 4-20mA no aumenta en el plazo de 2 minutos, considere estas posibilidades:

- a. El cilindro de gas está vacío, compruebe el manómetro. Sustituya el cilindro de gas si es de 25 psi o menos.
 - b. La unidad necesita ser recalibrada (pasar por la recalibración y la re-prueba).
 - c. El detector necesita mantenimiento (unidad de retorno a la fábrica para el mantenimiento).
 - d. El detector tiene la opción 4-20 mA establecida en "OFF". Establezca la opción 4-20 mA en "On" y repita la prueba.
6. Retire el gas del sensor. Vuelva a montar el GD-6 (asegúrese de que el LED esté alineado con el orificio en la parte frontal de la caja).

7.4 Procedimiento de calibración de campo

Nota: Para obtener resultados de calibración óptimos, la unidad debe estar en aire limpio y en un flujo de aire ambiente bajo.

7.4.1 Cero el sensor

1. Desmonte el tornillo Philips de la parte delantera del GD-6. Tire de la cubierta delantera de la unidad.
2. Para seleccionar modo cero de calibración (000), en el modo normal, pulse el botón Siguiente cuatro veces para llegar a CAL o modo de calibración.
3. Luego presione el botón Enter para llegar a "000" - Modo Cero de Calibración.
4. Presione el botón Enter y la pantalla leerá 0 alternando con 000 (parpadeando) indicando la calibración cero en curso (máximo 165 seg).
5. Si el proceso se realiza correctamente, la pantalla leerá __0 alternando con PAS (parpadeo) Calibración cero completa.
6. Si el proceso no se realizó correctamente, la pantalla leerá __1 alternando con Error (parpadeo) Cero error. Si esto ocurre, repita los pasos 2 a 4. Si el sensor no llega a cero dos veces, comuníquese con asistencia técnica: 844-325-3050
7. Para volver al modo normal, presione Entrar y luego presione Siguiente hasta que se muestre "Fin". Pulse Intro para volver al modo normal.

7.4.2 calibración

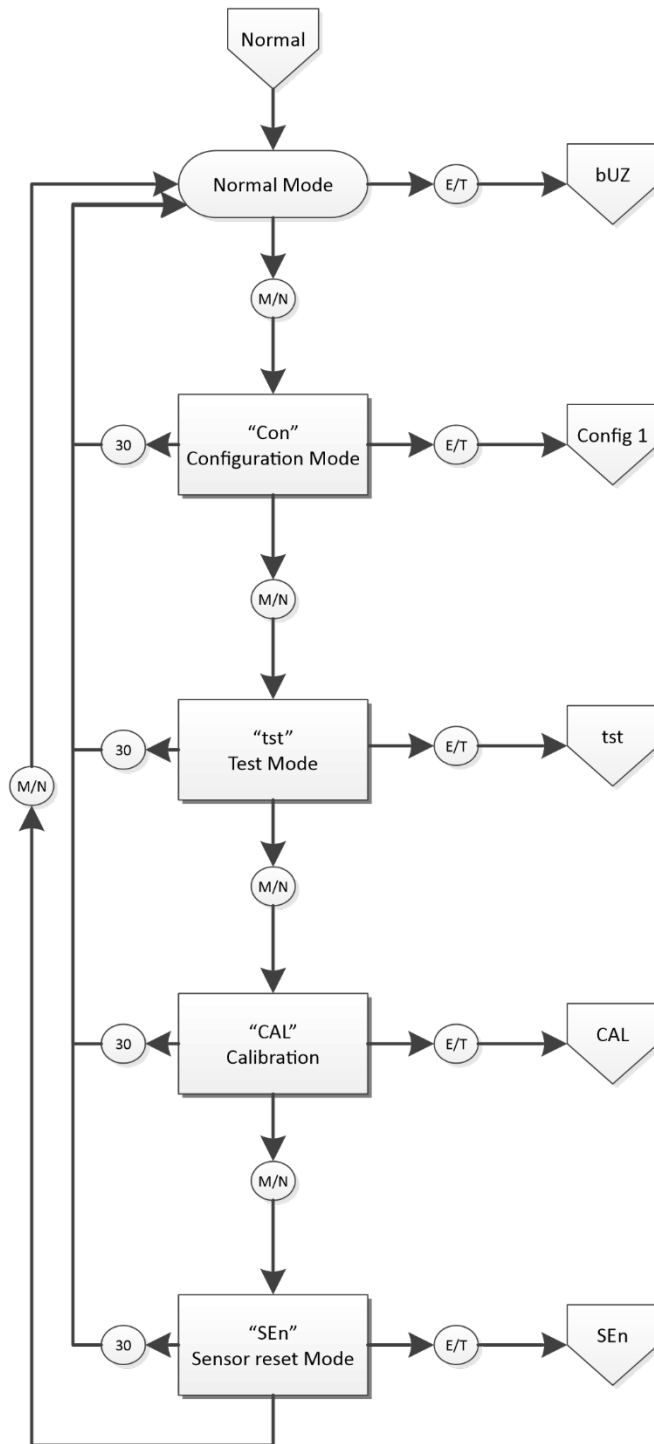
1. Desmonte el tornillo Philips de la parte delantera del GD-6. Tire de la cubierta delantera de la unidad.
2. Monte el cilindro de gas 10% LEL y el regulador juntos. Asegúrese de que el gas utilizado para la calibración coincida con el gas en el que está configurado el GD-6 (mE, Pro o Hy).
3. Compruebe el manómetro del regulador. Si tiene 25 psi o menos, deberá reemplazar el bote de gas.
4. Coloque la campana de prueba desde el regulador sobre el sensor de gas.
5. Para seleccionar modo de intervalo de calibración (SPn), del modo normal, pulse el botón Siguiente cuatro veces para llegar a CAL o modo de calibración.
6. Luego presione el botón Enter para llegar al modo cero de calibración "000", luego presione el botón Siguiente para llegar a "SPn" - Modo de intervalo de calibración.
7. Pulse el botón Enter y la pantalla leerá 10 alternando con el gas, mE, Pro o Hy (parpadeando), indicando que el sensor está buscando gas.
8. Comience a aplicar gas al sensor de gas.
Nota: El sensor buscará el gas durante 45 segundos. Si no se aplica ni se detecta ningún gas en ese tiempo, la pantalla volverá a CAL.
9. Cuando el sensor detecta el gas, la pantalla parpadeará de un lado a otro entre la concentración de gas y SPn y la calibración progresará. La pantalla mostrará esto durante un máximo de 165 segundos.
10. Cuando la calibración se realiza correctamente, la pantalla parpadeará entre 10 y PAS.
11. Retire el gas. La pantalla volverá a "SPn", luego al modo normal. La calibración está hecha.
12. Si la calibración falla, la pantalla parpadeará de un lado a otro entre la concentración de gas y FAL (falla). Si esto ocurre, compruebe el manómetro del regulador. Si la presión es inferior a 25 psi, el flujo de gas puede no ser adecuado para calibrar correctamente la unidad. Si hay una presión adecuada en el cilindro, repita los pasos del 4 al 11. Si la unidad no puede calibrar dos veces, comuníquese con la Asistencia Técnica de Macurco al 1-877-367-7891.
13. Desmontar el cilindro y el regulador.
14. Vuelva a montar el GD-6 (asegúrese de que el LED esté alineado con el orificio de la caja frontal).
15. Consulte Diagrama de flujo de calibración en el interior de la carcasa.

8 Apéndice A – Tabla de figuras

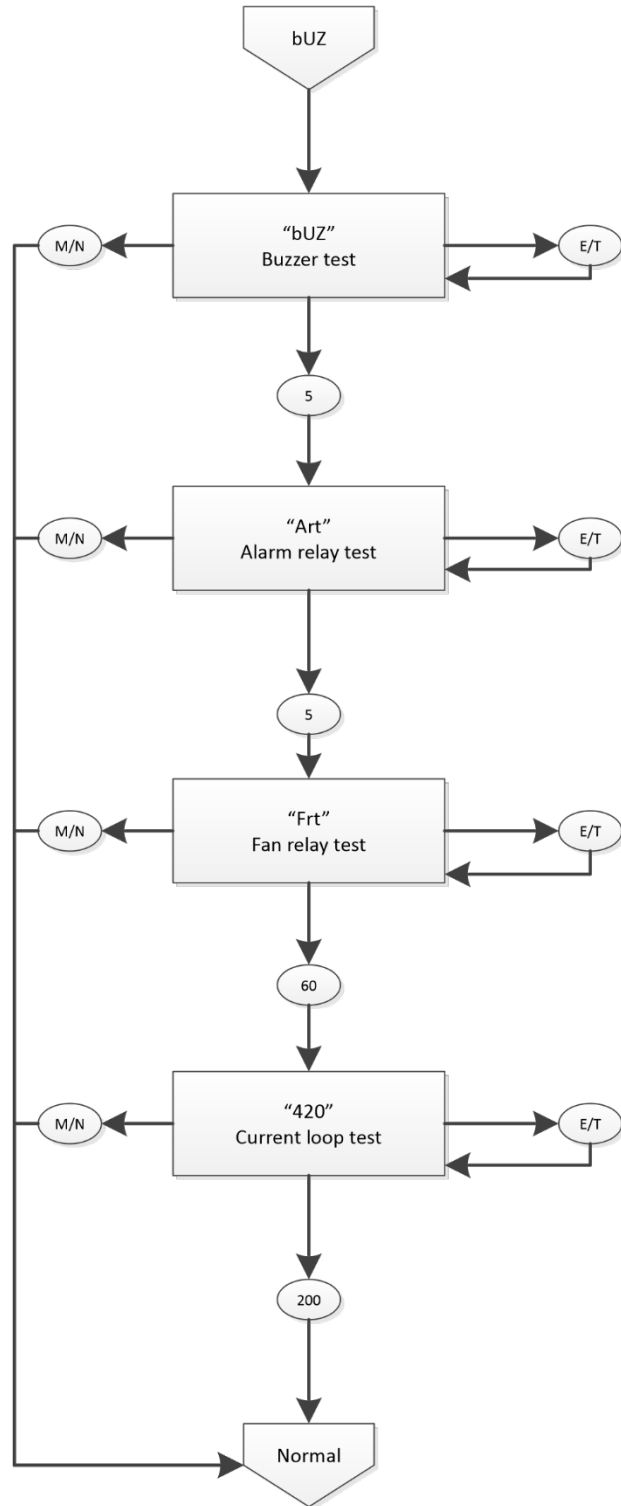
Figura 3-1 – Diagrama de salida 6-Series 4-20 mA	8
Figura 3-2 – Vista trasera de la serie 6	9
Figura 3-3 – Instalación independiente típica de la serie 6.....	9
Cuadro 3-4 – Dispositivo múltiple de la serie 6.....	10
Cuadro 3-5 – Panel de control de la alarma de la serie 6.....	10
Figura 3-6 – Panel de control de la serie 6 DVP-120	11
Cuadro 3-7 – Panel alternativo de la alarma de la 6-Series	11
Figura 3-8 – Panel de alarma serie 6 y cableado de la válvula de cierre.....	12
Figura 3-9 – 6-Series Horn &Strobe Combo Cableado	12
Figura 3-9 – Salida de la serie 12 4-20 mA	13
Figura 3-10 – Vista trasera de la serie 12	14
Figura 3-11 – Instalación I independiente típico de la serie 12.....	14
Figura 3-12 – Uso de la serie 12 con el panel de alarma.....	15
Figura 3-13 – Panel de control de la serie 12 DVP-120	15
Figura 3-14 – Panel de alarma alternativo de la serie 12.....	16
Figura 3-15 – Panel de alarma de la serie 12 con válvula de cierre	16
Figura 3-15 – 12-Series Horn &Strobe Combo Cableado	16
Tabla 4-1 – Configuración predeterminada	20
Cuadro 4-1 – Vista del tablero.....	20
Cuadro 7-1 – Conexión de calibración.....	30

9 Apéndice B – Estructura de menú

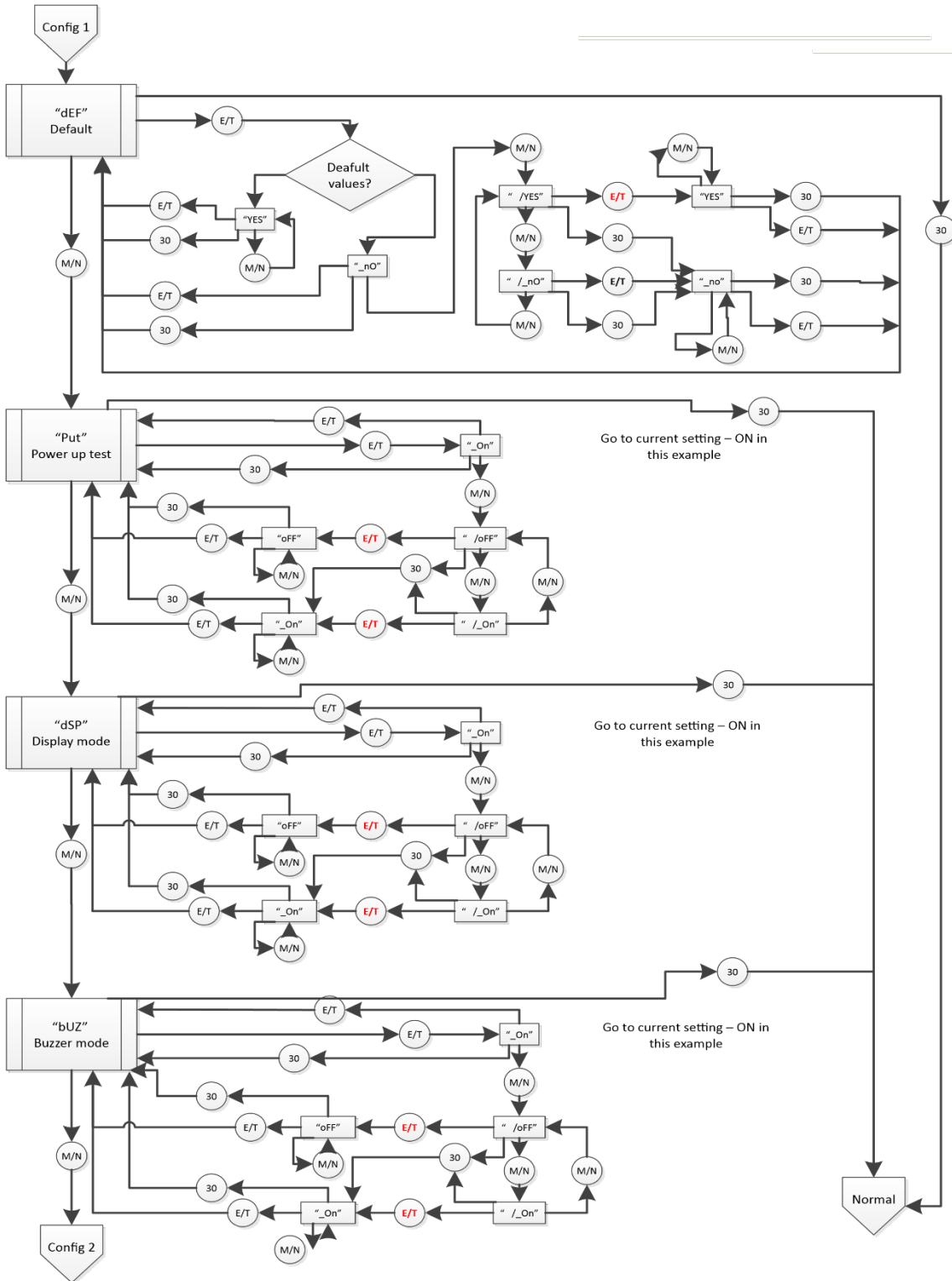
9.1 Menú principal

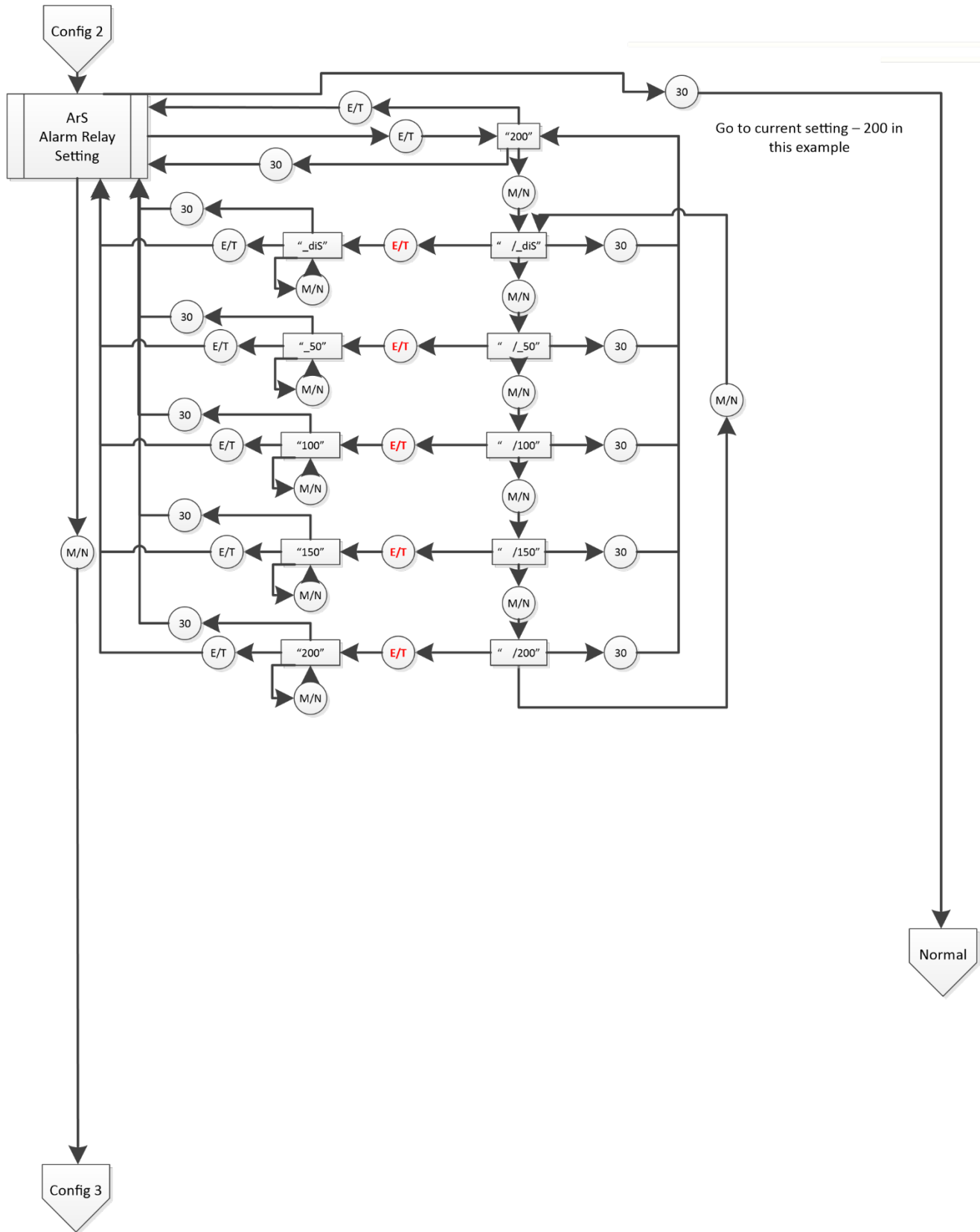


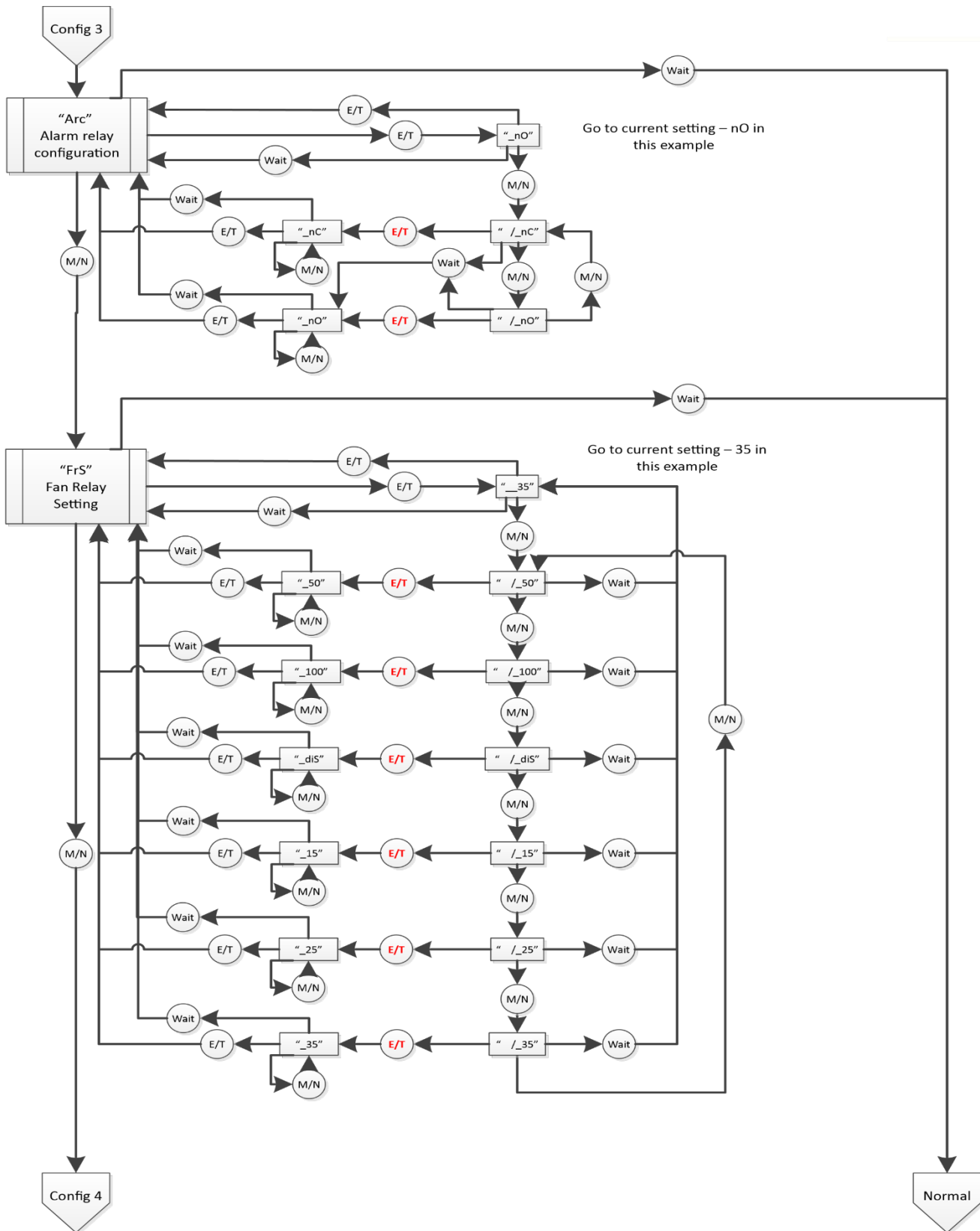
9.2 Menú de prueba automática "bUZ"

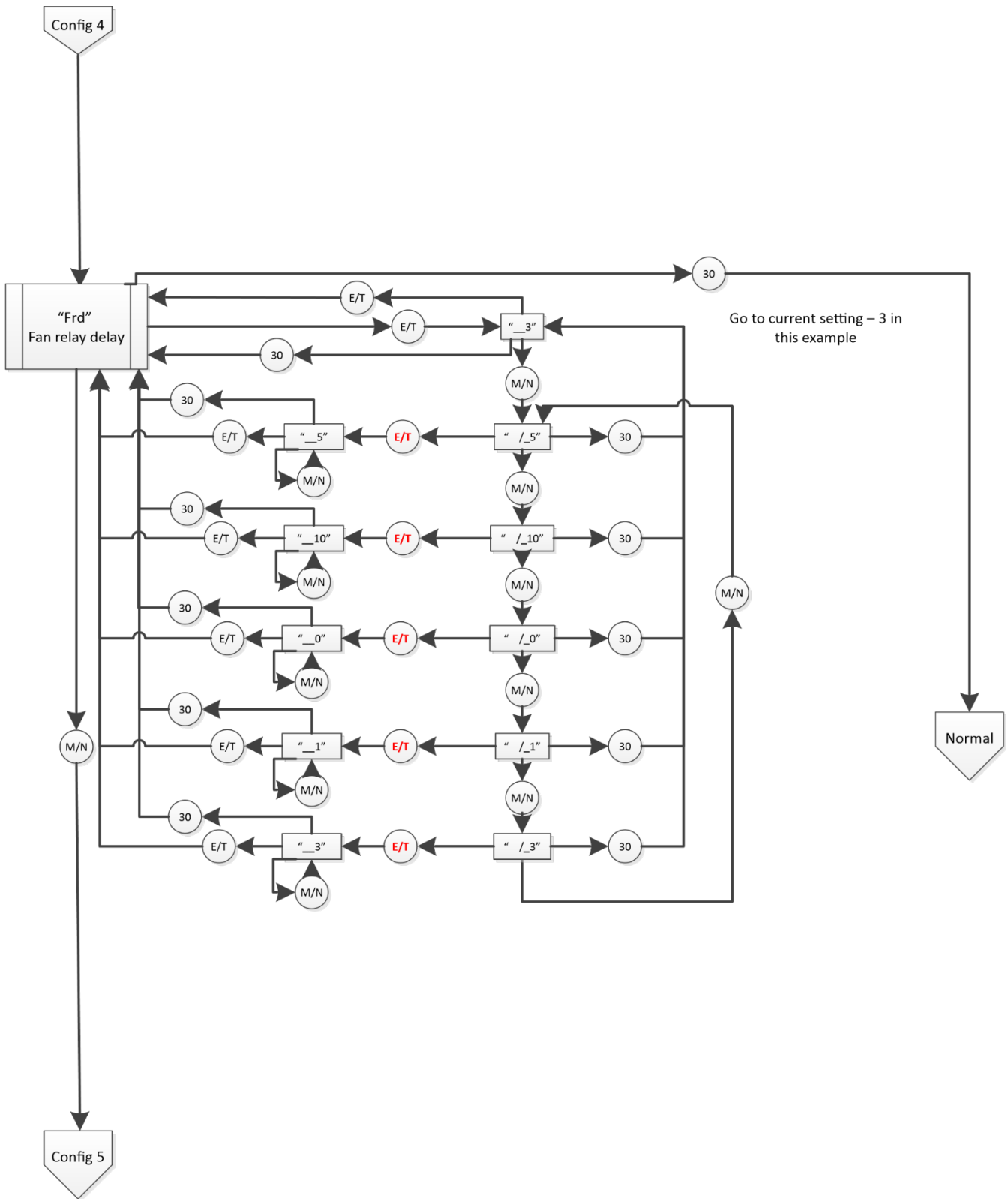


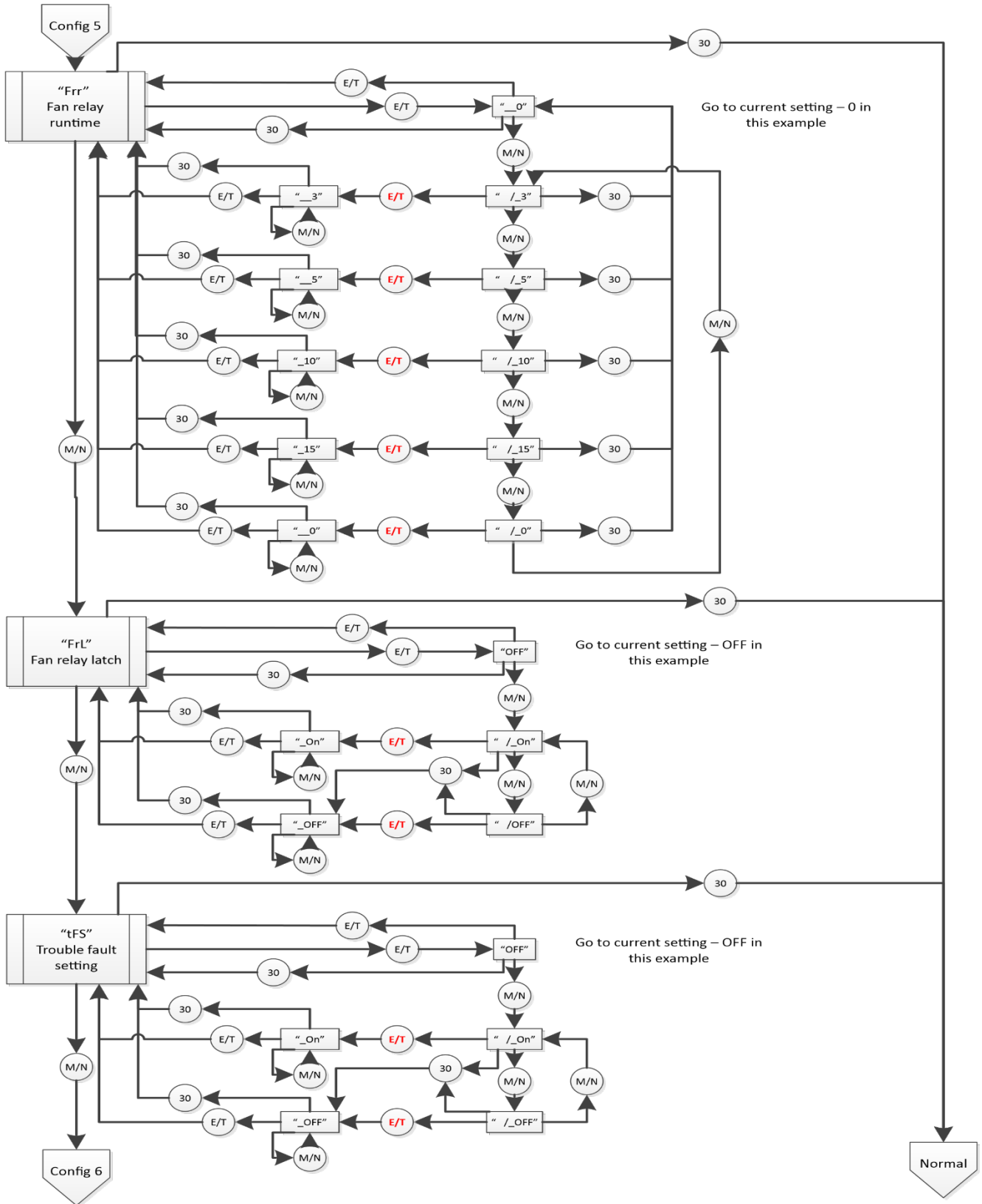
9.3 Menú de configuración "CON"

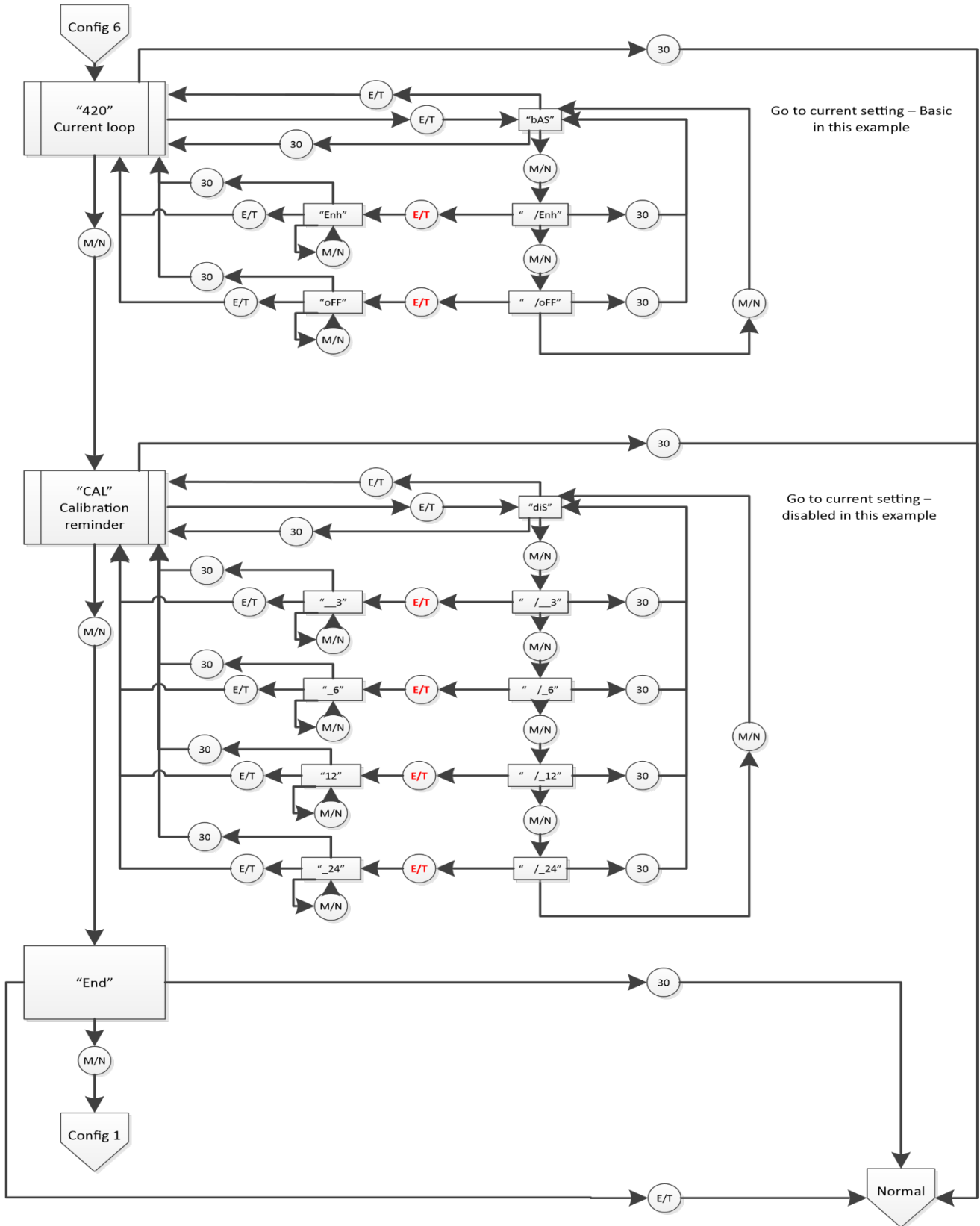




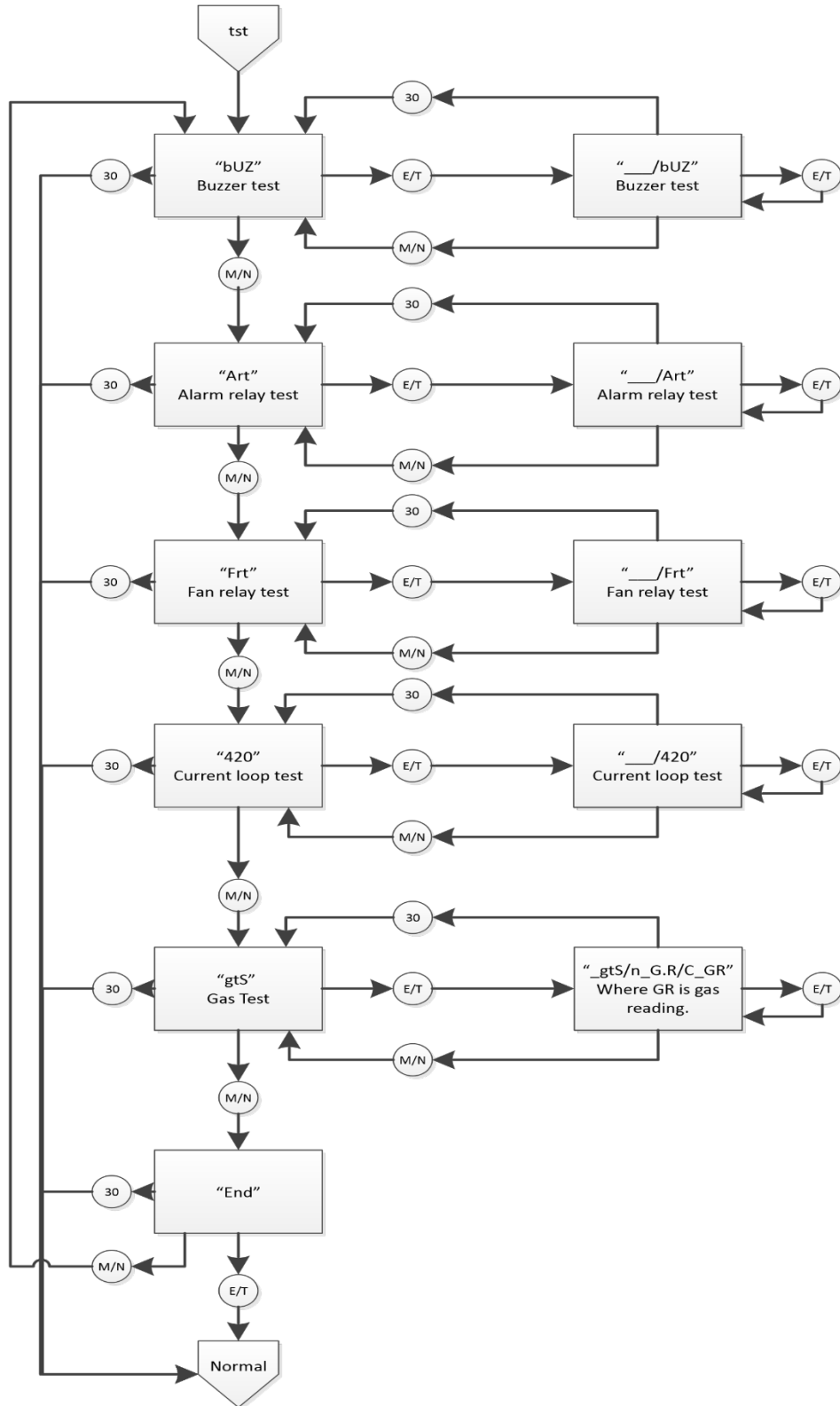




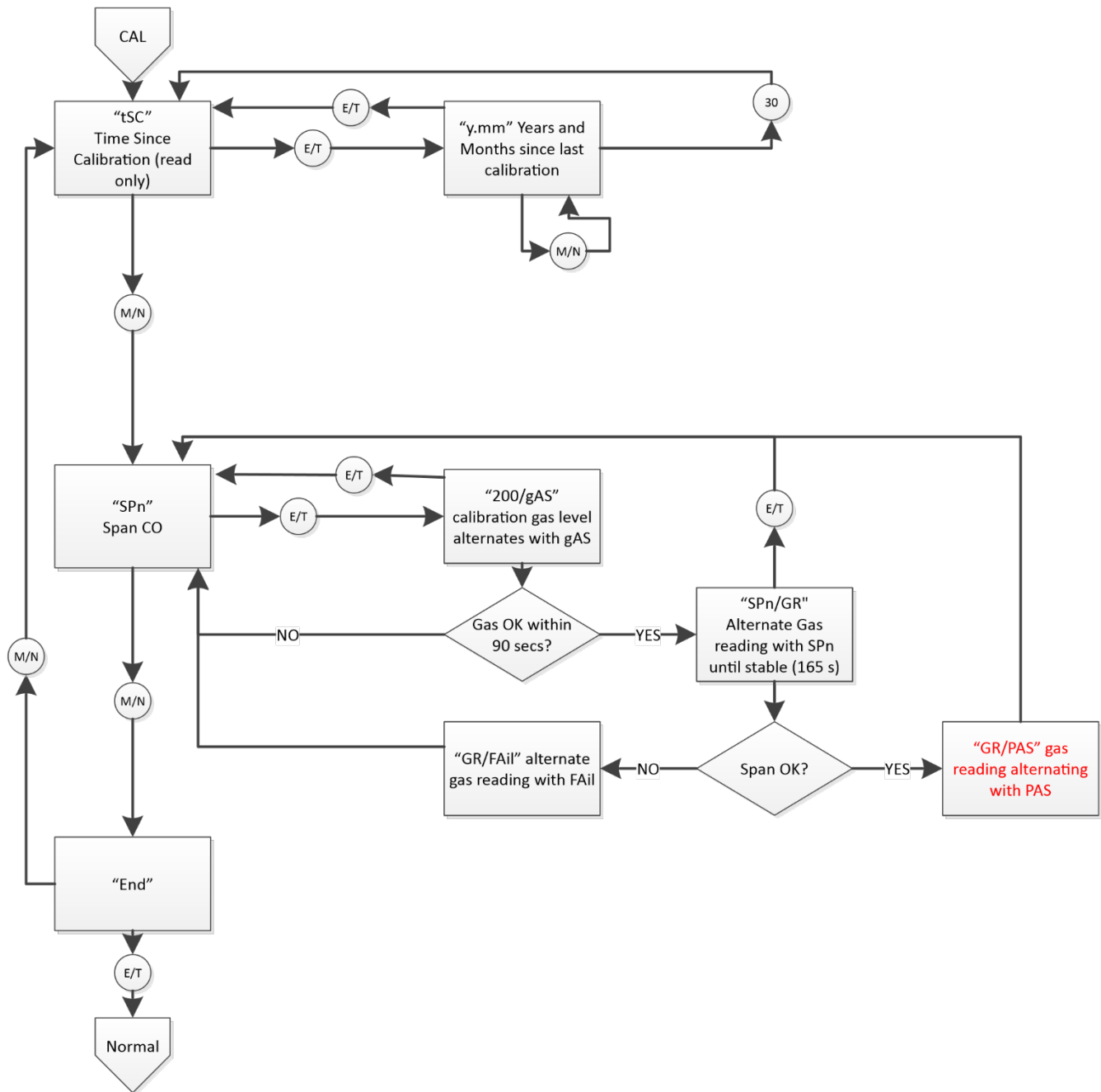




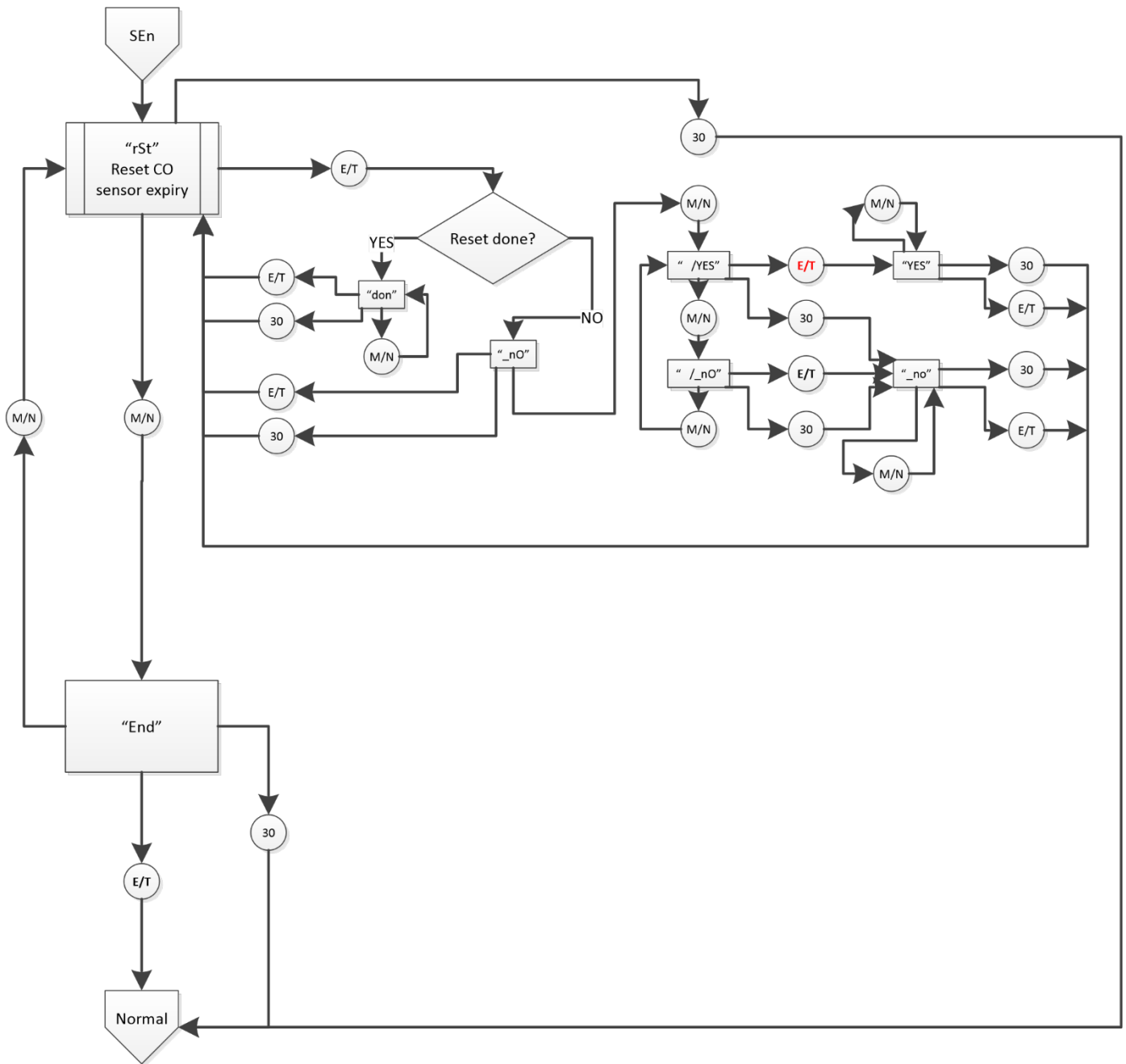
9.4 Seleccione el menú de prueba "tst"



9.5 Menú CAL



9.6 Menú de restablecimiento del sensor "Sen"



10 Macurco Gas Detection Product garantía limitada

Macurco garantiza que el detector de gas GD-6 / GD-12 estará libre de materiales defectuosos y mano de obra durante un período de dos (2) años a partir de la fecha de fabricación (indicada en la cubierta interior del GD-6 / GD-12), siempre que se mantenga y utilice de acuerdo con las instrucciones y / o recomendaciones de Macurco. Si algún componente se vuelve defectuoso durante el período de garantía, será reemplazado o reparado de forma gratuita, si la unidad se devuelve de acuerdo con las instrucciones a continuación. Esta garantía no se aplica a las unidades que han sido alteradas o se ha intentado reparar, o que han sido objeto de abuso, accidental o de otro tipo. La garantía anterior sustituye a todas las demás garantías, obligaciones o responsabilidades expresas. LAS GARANTÍAS IMPLÍCITAS DE COMERCIABILIDAD E IDONEIDAD PARA UN PROPÓSITO PARTICULAR SE LIMITAN A UN PERÍODO DE DOS (2) AÑOS A PARTIR DE LA FECHA DE COMPRA. Macurco no será responsable de ningún daño incidental o consecuente por incumplimiento de esta o cualquier otra garantía, expresa o implícita, que surja de o esté relacionada con el uso de dicho detector de gas. La responsabilidad del fabricante o de su agente se limitará a la sustitución o reparación como se establece anteriormente. Los recursos únicos y exclusivos del Comprador son la devolución de los bienes y el reembolso del precio, o la reparación y sustitución de bienes o partes no conformes.

Detección de gas macurco

3601 N. St. Paul Avenue
Sioux Falls, SD 57104

Información de contacto de soporte técnico

Teléfono: 1-844-325-3050
Fax: 1-605-951-9616
Correo electrónico: support@macurco.com
Sitio web: www.macurco.com/support

Información general de contacto

Teléfono : 1-877-367-7891
Fax: 1-605-951-9616
Correo electrónico: info@macurco.com
Sitio web: www.macurco.com

REV – 1.0.1

Fecha de emisión: 12-20-2021

Documento N°: 34-2900-0027-6

© Aerionics 2021. Todos los derechos reservados.

Macurco es una marca comercial de Aerionics, Inc.

