

Macurco™ Horn and Strobe

MACURCO

GAS DETECTION



Horn and Strobe Series

Macurco Horn and Strobe Series

The Macurco Horn and Strobe series is designed for spaces where distinctive visual or audible signal is required. These devices use low current to provide a high decibel output, and can be easily seen and heard from afar. The Horn and Strobe works well with Macurco products including the DVP-120, DVP-120M control panels and the Macurco 6 & 12 Series detectors. This notification device can be flush or surface mounted on a standard 4" x 4" electrical box.

Features and Specifications

- Flexible optic design to meet or exceed the light output on vertical/horizontal dispersion
- Strobe Candela: Adjustable at 15, 30, 75 or 110cd *Based on test result with clear lens cover
- Adjustable two audible tone settings: Continuous (high/low) / Temporal 4 (high/low)
- Size: 5 1/2 x 4 3/4 x 2 in. (14 x 12 x 5 cm)
- 20ms pulse duration
- Low Current Draw
- High power cool white LED is used
- Strobe flash rate: 1 flash per second
- Nominal Voltage: Regulated 24VDC
- Operating Voltage: 16 to 33 VDC
- Operating Environment: 32°F to 120°F (0°C to 49°C). 10 to 93% RH
- Works with Macurco DVP-120 & DVP-120M control panels
- Works with Macurco 6 & 12 Series detectors



Horn and Strobe Specifications

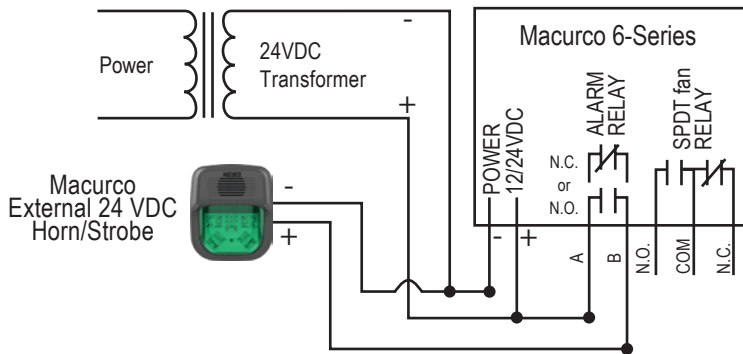
Current Draw (A)					
Strobe Candela Settings (cd)					
Current	Sound Pattern	16-33 Volts			
		15	30	75	110
DC	High Continuous	0.087	0.094	0.122	0.133
	High Temporal 4	0.080	0.083	0.108	0.126
	Low Continuous	0.074	0.080	0.110	0.125
	Low Temporal 4	0.075	0.080	0.106	0.124
FWR	High Continuous	0.115	0.137	0.165	0.186
	High Temporal 4	0.113	0.122	0.154	0.179
	Low Continuous	0.113	0.117	0.160	0.175
	Low Temporal 4	0.094	0.117	0.132	0.160

Sound Output (dBA)					
Reverberant dBA Per UL 464			Anechoic dBA		
Pattern	Volume	Horn Strobe (16-33Volts)	Pattern	Volume	Horn Strobe (16-33Volts)
Continuous	High	91.4	Continuous	High	92.0
	Low	86.6		Low	87.7
Temporal 4	High	87.5	Temporal 4	High	92.0
	Low	82.2		Low	87.2

**Macurco reserves the right to change any specifications without notice.

**Refer to local codes for appropriate mounting heights

*Sync module sold separately. External relay provided by 3rd party.



TYPICAL CONNECTION TO MACURCO 6-SERIES DETECTOR

TYPICAL CONNECTION TO MACURCO DVP-120 CONTROL PANEL

