

# CO<sub>2</sub> Component Description

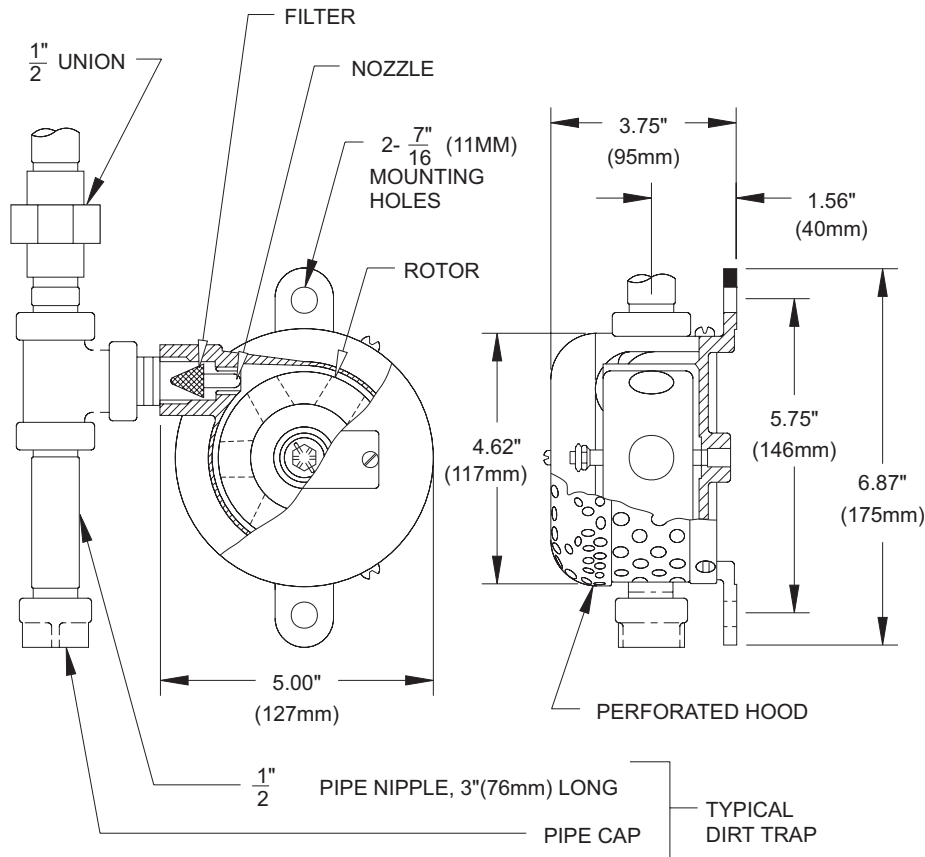
## Pressure Operated Siren

Effective: February 2007

**K-81-5220**

P/N: 981574

NOMINAL FLOW RATE AT 70 DEGREES	
CARBON DIOXIDE	20.4 LBS/MIN
HALON 1301	21.2 LBS/MIN



### MATERIALS

**BODY: BRONZE****ROTOR: BRASS****NOZZLE AND FILTER: MONEL****HOOD: STEEL****FINISH: RED PAINT**

This literature is provided for informational purposes only. KIDDE-FENWAL, INC. assumes no responsibility for the product's suitability for a particular application. The product must be properly applied to work correctly. If you need more information on this product, or if you have a particular problem or question, contact KIDDE-FENWAL, INC., Ashland, MA 01721. Telephone: (508) 881-2000.