

Celestra™ 2000

Digital Clock Assemblies

6334-Series 2.5" and 4" LED Displays

STANDARD FEATURES:

- 2.5" Red or 4.0" Red LED Displays (also available in Amber or Green)
- Multiple Correction Modes:
 - Digital BCD
 - Synchronous Clock Correction
 - Power Line Carrier Option
 - Power Drop Operation
 - Stand-Alone Operation
 - Impulse Using 6400 Master
- 12 Hour or 24 Hour (00-23) Display, Switch Selectable
- High Impact, Flame Retardant, Molded Case
- Built-in Time Setting Switches
- 120V Version is ETL and cETL Listed and Tested to UL 1950
- 240V Version is CE Marked
- Wall Mounting Plate and Wiring Harness (order separately)
- Display Brightness Switch

DESCRIPTION

The Simplex Celestra 2000 digital clocks provide high visibility under a variety of ambient light conditions. Models 6334-9125 thru 6334-9137 have a 2.5" high display for applications where the viewer may be close to the clock such as in an office or a classroom. Models 6334-9140 thru 6334-9152 have a 4.0" high display for longer viewing distances such as in an auditorium, cafeteria, long hallway, warehouse or manufacturing facility (see Figure 1).

SPECIFICATIONS

Input Voltage.....	120 VAC (100 VAC -132 VAC) 230 VAC (200 VAC - 252 VAC)
Power Consumption	18 W
Finish	Celex 5100 Black with Amber, Green or Red LED Display
Operating Temperature	32° F to 95° F (0° C to 35° C)
Humidity.....	95% Non-Condensing
Dimensions	2.5" Clock 8 13/16" W x 5" H x 2 8/16" D (8.8cm x 1.3cm x 6.3cm)
	4.0" Clock 13 9/16" W x 7 1/16" H x 2 8/16" D (130.6cm x 17.9cm x 6.4cm)

BCD correction wiring circuit requires 1 pair, twisted shielded, 18 AWG or 1 pair, Level 5, 24 AWG.



Celestra™ 2000 LED Clock

OPERATION

For independent operation, the clock is connected to a reliable source of 120VAC 60HZ (or 230VAC 50HZ) and time is maintained with a real time clock chip. Switches located on the front of the clocks allow for easy and accurate time setting. For system clock applications, synchronization can be accomplished by connection to Simplex BCD digital data for instantaneous time updates, or connect to power line carrier/synchronous timing inputs that provide hourly and 12 hour corrections. Impulse correction from Series 6400 Time Control Center is ideally suited for Time and Attendance System expansions. A capacitor in each clock maintains timekeeping for approximately 12 hours in the event of power failure in the facility. The Celestra 2000 can be corrected with six different clock codes to suit any specific retrofit or new construction Synchronized Time System.

VISIBILITY CHART

See Figure 1 for visibility information on Simplex Celestra 2000 digital clocks.

Note: Visibility of amber and green varies slightly from the values shown.

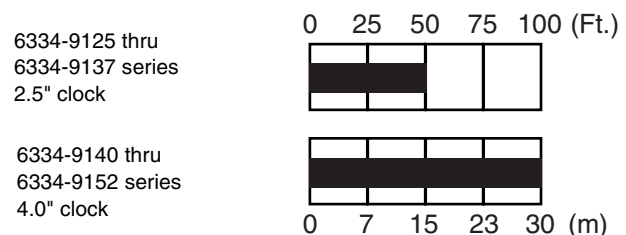


Figure 1

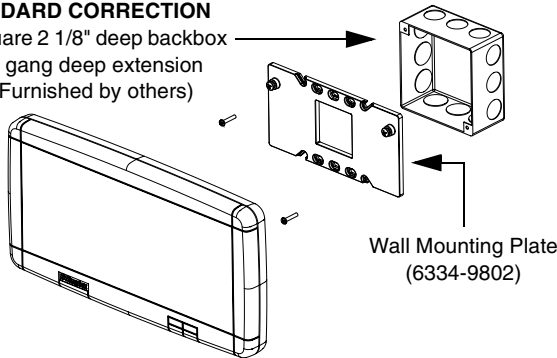
SURFACE WALL MOUNTING

For information regarding Surface Wall Mounting on Celestra 2000 digital clocks, see Figure 2.

Each clock requires a 6334-9802 Wall Mounting Plate and the appropriate wiring harness assembly.

STANDARD CORRECTION

4" square 2 1/8" deep backbox with 2 gang deep extension ring. (Furnished by others)



POWER LINE CARRIER CORRECTION

2 1/8" deep backbox with 3 gang deep extension ring (Furnished by others)

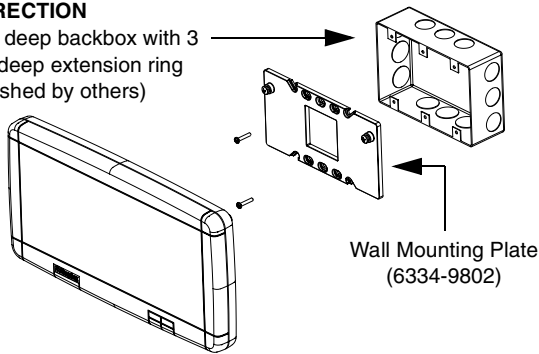
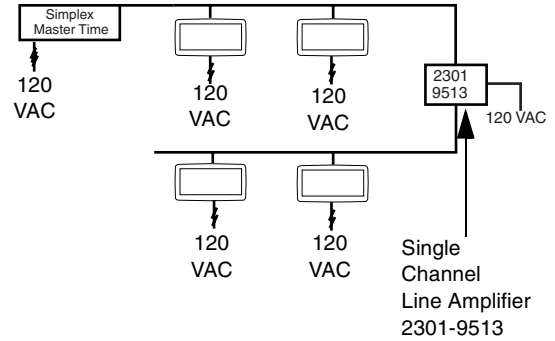


Figure 2

TYPICAL NEW INSTALLATION WIRING

For information on wiring for the Celestra 2000 digital clock, see Figure 3. BCD correction wiring circuit requires 1 pair, twisted shielded, 18 AWG or 1 pair, Level 5, 24 AWG.



Typical wiring requirements for the systems with line amplifier. Each clock requires local 120 or 230 VAC power.

NOTE: Each line amplifier operates up to 50 Celestra 2000 digital clocks. When less than 50 Celestra 2000 digital clocks are to be controlled, the line amplifier may be omitted.

Figure 3

CLOCK MODELS

Description	PID
2.5" Red LED, 120 VAC	6334-9125
2.5" Green LED, 120 VAC	6334-9126
2.5" Amber LED, 120 VAC	6334-9127
2.5" Red LED, 230 VAC	6334-9135
2.5" Green LED, 230 VAC	6334-9136
2.5" Amber LED, 230 VAC	6334-9137
4.0" Red LED, 120 VAC	6334-9140
4.0" Green LED, 120 VAC	6334-9141
4.0" Amber LED, 120 VAC	6334-9142
4.0" Red LED, 230 VAC	6334-9150
4.0" Green LED, 230 VAC	6334-9151
4.0" Amber LED, 230 VAC	6334-9152

Order Separately for Every Clock

Wall Mounting Plate	6334-9802
Harness Assembly, 120 VAC	6334-9803
Harness Assembly, 230 VAC	6334-9804