

Kidde Fire Systems

System Component Datasheet



Effective: December 2018
K-85-0517 Rev AB

3-inch Flexible Discharge Hose

FEATURES

- **Stainless Steel Braided**
- **Grooved Fittings**
- **For Approvals, see the “COMPATIBILITY” table on page 2.**

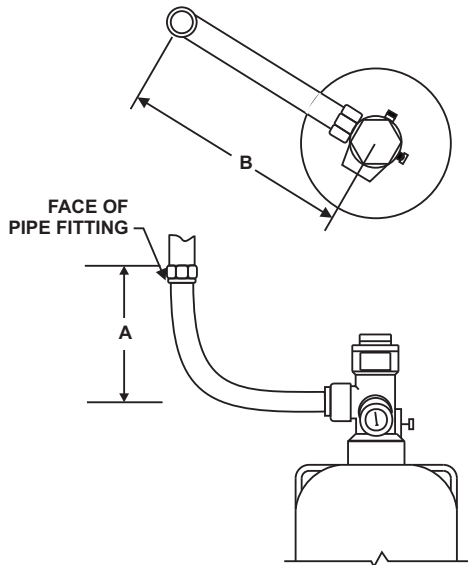
P/N: 06-118225-001

DESCRIPTION

Stainless Steel flexible hose is used to connect the 3-inch valve cylinders to discharge piping. The hose has a grooved fitting at the cylinder end and a 3-inch male groove fitting to connect to the piping.

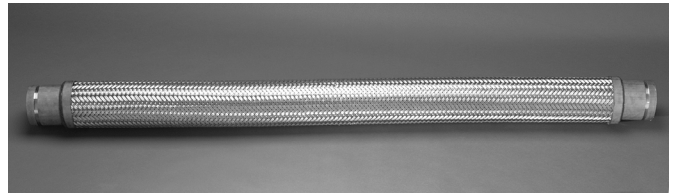
INSTALLATION

The stainless steel flexible braided hose may be installed horizontally or with a 90 degree bend radius as shown in the diagram below.



Dimensions	
A	B
33 in. (838 mm)	36 in. (914 mm)

Note: Dimensions A and B must be maintained in order to obtain a smooth radius in flexible loop. Hose may require adapter to connect to system piping.



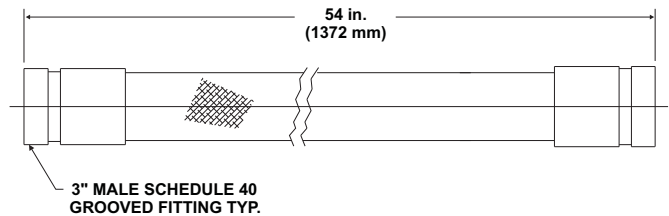
ORDERING INFORMATION

The part number for ordering the 3-inch flexible discharge hose is 06-118225-001.

SPECIFICATION

Material:	Convuluted hose with stainless steel braid overlay
Working pressure:	500 PSI (3.4 MPa)
Proof pressure:	1000 PSI (6.9 MPa)
Burst pressure:	2000 PSI (13.8 MPa)

DIMENSIONS



COMPATIBILITY

Series	DIOM P/N	Approvals
Kidde® ECS-500™ System	06-237585-001	UL, ULC, FM
Kidde® ECS-500™ Marine System	06-237589-001	UL, ULC, USCG
Kidde® ECS™ with 3M™ Novec™ 1230 Fire Protection Fluid	06-236553-001	UL, ULC, FM
Kidde® ADS™ with 3M™ Novec™ 1230 Fire Protection Fluid	06-237256-001	UL, ULC, FM
Kidde® ECS™ Marine with 3M™ Novec™ 1230 Fire Protection Fluid	06-236559-001	UL, ULC, USCG
Kidde® ADS™ Marine with 3M™ Novec™ 1230 Fire Protection Fluid	06-237257-001	UL, ULC, USCG
Kidde® ECS™ with HFC-227ea Agent	06-236115-001	UL, ULC, FM
Kidde® Modular ECS™ with HFC-227ea Agent	06-236116-001	UL, ULC, FM
Kidde® ECS™ Marine with HFC-227ea Agent	06-236225-001	UL, USCG
Kidde® ADS™ Marine with HFC-227ea Agent	06-236595-001	UL, ULC, USCG
Kidde® ADS™ with HFC-227ea Agent	06-236068-001	UL, ULC, FM

Agent	Series	Cylinder Size		
		600/675* lb	900/1010* lb	1100 lb**
3M Novec 1230 Fire Protection Fluid	ECS-500 System	X	X	X
	ECS 360	X	X	
	ADS	X	X	
HFC-227ea Agent	ECS 360	X	X	
	ECS 360 Modular	X		
	ADS	X	X	

* 675 and 1010 lb cylinders are only applicable to Kidde® ADS™ with HFC-227ea systems.
 ** 1100 lb. Cylinder is only available for Kidde® ECS-500™ System land-based systems.

EXPORT INFORMATION (USA)

Jurisdiction: EAR
 Classification: EAR99

This document contains technical data subject to the EAR.

KIDDE is a registered trademark of Kidde-Fenwal, Inc., or its parents, subsidiaries or affiliates.

This literature is provided for informational purposes only. KIDDE-FENWAL, INC. believes this data to be accurate, but it is published and presented without any guarantee or warranty whatsoever. KIDDE-FENWAL, INC. assumes no responsibility for the product's suitability for a particular application. Product features specified are only applicable when the fire suppression system is correctly designed, installed, maintained and serviced by trained, authorized Kidde Fire Systems distributors as per the applicable design, installation, operation, and maintenance manuals. If you need more information on this product, or if you have a particular problem or question, contact: KIDDE-FENWAL, INC., Ashland, MA 01721 USA, Telephone: (508) 881-2000.

