

Kidde Fire Systems Component Description

NEMA 4 and NEMA 7 Rated Lockout Valves

FEATURES

- For Approvals, see the “COMPATIBILITY” table.
- REACH and RoHS compliant

DESCRIPTION

Note: Required in conjunction with discharge delay.

A lockout valve is a manually operated valve installed between the agent manifold and the discharge pipe to the protected area. Lockout valves are normally open, but can be locked in the closed position when maintenance is under way. This prevents agent from discharging into the protected area for the safety of the maintenance personnel. The lockout valve shall be installed at the end of the agent manifold or, if a common manifold protects multiple hazards, downstream of each selector valve.

Lockout valve assemblies include a high visibility indicator and weatherproof limit switch. The limit switch shall initiate a “Trouble” signal at the control panel when the valve is in the closed position. All valves have a maximum pressure rating of 70 bar (1015 PSI). When using lockout valves, also install a pressure relief valve wherever pressure could be trapped in closed sections of pipe.

The lockout valves are available in sizes 1, 1 1/2, 2, 3, and 4 inches. Lockout valve sizes 1, 1 1/2, and 2 in. have NPT threaded inlet and outlet ports for connection to the distribution piping. Lockout valve sizes 3 and 4 in. use grooved fitting to connect to the system piping. When installing, choose the correct mating fittings to match with the groove fitting of the lockout valves.



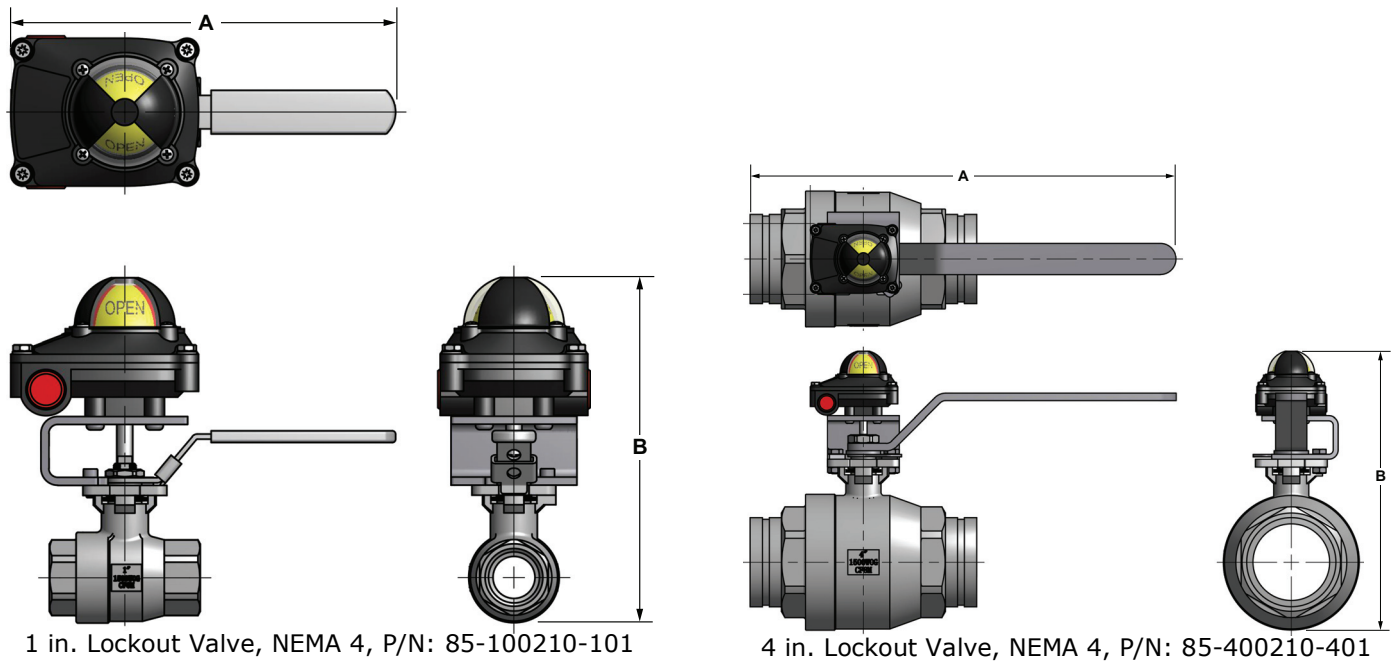


Figure 1. 1 and 4 inch Lockout Valve, NEMA 4

Table 1. NEMA 4 Lockout Valve Specifications

Part Number	Size	Thread Type	Dimensions				Pressure Rating
			A		B		
			inches	mm	inches	mm	
85-100210-101	1 in.	NPT	9	230	7 7/8	200	1015 PSI (70 Bar)
85-150210-151	1.5 in.	NPT	10	255	8 15/16	227	1015 PSI (70 Bar)
85-200210-201	2 in.	NPT	10	255	9 5/8	244	1015 PSI (70 Bar)
85-300210-301	3 in.	Grooved	17	430	12 3/8	314	1015 PSI (70 Bar)
85-400210-401	4 in.	Grooved	21 1/2	545	13 13/16	351	1015 PSI (70 Bar)

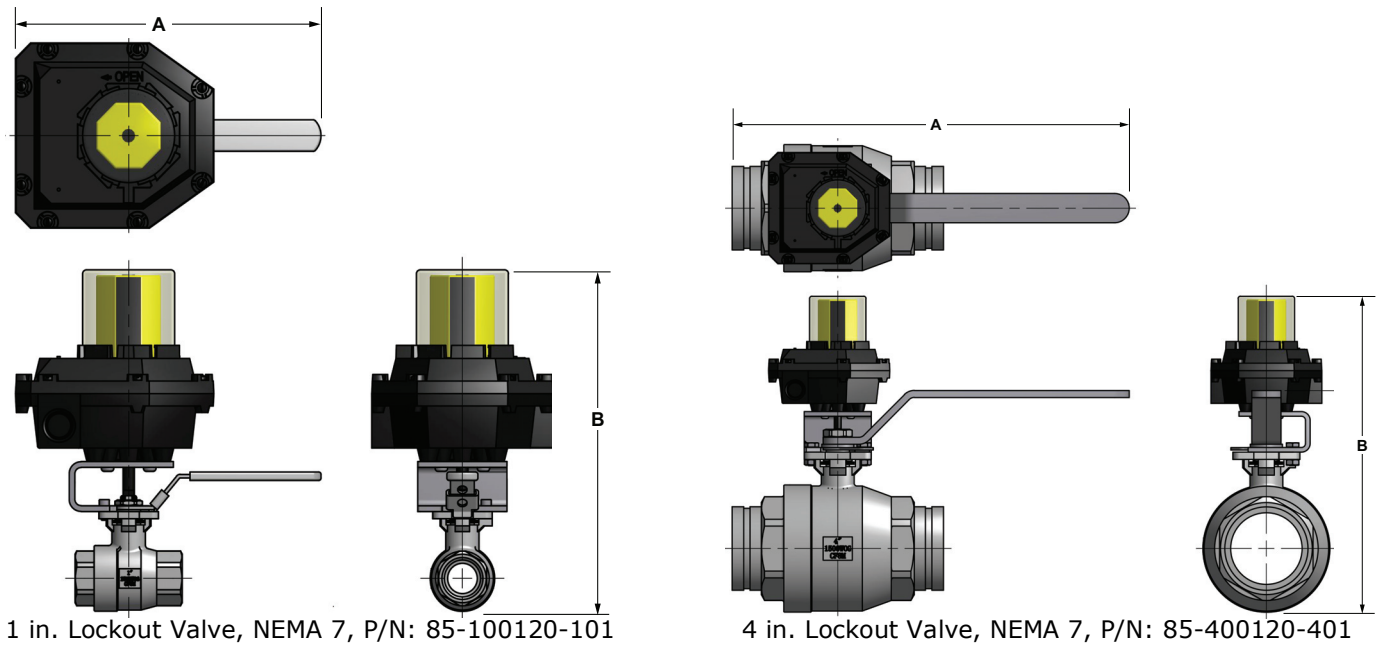


Figure 2. 1 and 4 inch Lockout Valve, NEMA 7

Table 2. NEMA 7 Lockout Valve Specifications

Part Number	Size	Thread Type	Dimensions				Pressure Rating
			A		B		
			inches	mm	inches	mm	
85-100120-101	1 in.	NPT	10 1/3	256.5	11 1/16	280.7	1015 PSI (70 Bar)
85-150120-151	1.5 in.	NPT	11	282	12 1/8	308.2	1015 PSI (70 Bar)
85-200120-201	2 in.	NPT	11	282	12 13/16	325.2	1015 PSI (70 Bar)
85-300120-301	3 in.	Grooved	17	430	15 9/16	395.2	1015 PSI (70 Bar)
85-400120-401	4 in.	Grooved	21 1/2	545	17	432.2	1015 PSI (70 Bar)

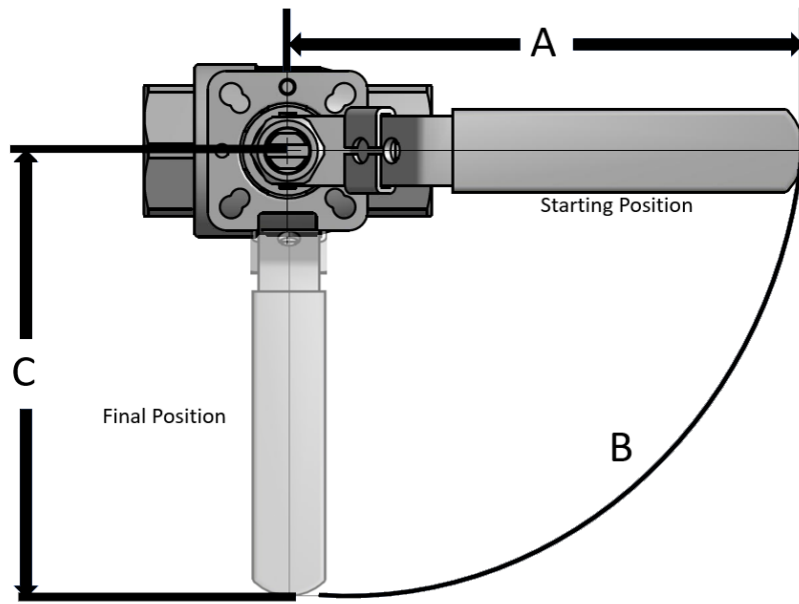


Figure 3. Lockout Valve Clearance Requirements

Table 3. NEMA 4 Lockout Valve Clearance Requirements

Part Number	Size	Dimensions					
		A		B		C	
		mm	inches	mm	inches	mm	inches
85-100210-101	1 in.	161.5	6 11/32	253.5	10	161.5	6 11/32
85-150210-151	1.5 in.	187	6 3/8	293.75	11 9/16	187	6 3/8
85-200210-201	2 in.	187	6 3/8	293.75	11 9/16	187	6 3/8
85-300210-301	3 in.	310	12 7/32	487	19 3/16	310	12 7/32
85-400210-401	4 in.	400	15 3/4	628.5	24 3/4	400	15 3/4

Table 4. NEMA 7 Lockout Valve Clearance Requirements

Part Number	Size	Dimensions					
		A		B		C	
		mm	inches	mm	inches	mm	inches
85-100120-101	1 in.	161.5	6 11/32	253.5	10	161.5	6 11/32
85-150120-151	1.5 in.	187	6 3/8	293.75	11 9/16	187	6 3/8
85-200120-201	2 in.	187	6 3/8	293.75	11 9/16	187	6 3/8
85-300120-301	3 in.	310	12 7/32	487	19 3/16	310	12 7/32
85-400120-401	4 in.	400	15 3/4	628.5	24 3/4	400	15 3/4

ORDERING INFORMATION

Table 5: Lockout Valve Part Numbers

Part Number	Description
NEMA 4 Rated Lockout Valves	
85-100210-101	1 in. Lockout Valve, NPT, NEMA 4 Rated Switch
85-150210-151	1 1/2 in. Lockout Valve, NPT, NEMA 4 Rated Switch
85-200210-201	2 in. Lockout Valve, NPT, NEMA 4 Rated Switch
85-300210-301	3 in. Lockout Valve, Grooved, NEMA 4 Rated Switch
85-400210-401	4 in. Lockout Valve, Grooved, NEMA 4 Rated Switch
NEMA 7 Rated Lockout Valves	
85-100120-101	1 in. Lockout Valve, NPT, NEMA 7 Rated Switch
85-150120-151	1 1/2 in. Lockout Valve, NPT, NEMA 7 Rated Switch
85-200120-201	2 in. Lockout Valve, NPT, NEMA 7 Rated Switch
85-300120-301	3 in. Lockout Valve, Grooved, NEMA 7 Rated Switch
85-400120-401	4 in. Lockout Valve, Grooved, NEMA 7 Rated Switch

COMPATIBILITY

Series	DIOM P/N	Approvals
Kidde Fire Systems Natura™ Inert Gas System	06-237619-001	UL, FM
Kidde Fire Systems ECS-500™ System	06-237585-001	UL, ULC, FM
Kidde Fire Systems ADS™ for use with Fluoroketone Fire Suppression Agents	06-237256-001	UL, ULC, FM
Kidde Fire Systems ADS™ with HFC-227ea Agent	06-236068-001	UL, ULC, FM
Kidde Fire Systems ECS™ 360 for use with Fluoroketone Fire Suppression Agents	06-236553-001	UL, ULC, FM
Kidde Fire Systems ECS™ 360 with HFC-227ea Agent	06-236115-001	UL, ULC, FM

EXPORT INFORMATION (USA)

Jurisdiction: EAR
Classification: EAR99

This document contains technical data subject to the EAR.

All trademarks are property of their respective owners.

This literature is provided for informational purposes only. KIDDE-FENWAL, INC. believes this data to be accurate, but it is published and presented without any guarantee or warranty whatsoever. KIDDE-FENWAL, INC. assumes no responsibility for the product's suitability for a particular application. Product features specified are only applicable when the fire suppression system is correctly designed, installed, maintained and serviced by trained, authorized Kidde Fire Systems distributors as per the applicable design, installation, operation, and maintenance manuals. If you need more information on this product, or if you have a particular problem or question, contact: KIDDE-FENWAL, INC., Ashland, MA 01721 USA, Telephone: (508) 881-2000.