



MPS-800MP(U) Series Fire Alarm Manual Station

Mircom's MPS-800MP(U) Series Fire Alarm Manual Stations provide manual fire alarm activation.

This guide covers these models:

MPS-810MP Single Stage, Dual Action, MP Addressable Manual Station

MPS-810MPU Single Stage, Dual Action, MP Addressable Manual Station (US)

MPS-802MP Two Stage, Dual Action, MP Addressable Manual Station

MPS-822MP Two Stage, Dual Action, MP Addressable Manual Station with additional door contacts

Specifications & Dimensions

Compatible with FX-400 series and FleX-Net™ FX-4000 Fire Alarm Control Panels

Electrical Rating:

Nominal Operating Voltage: 15-30 VDC

Maximum alarm current: 3.3 mA

Standby current: 2 mA

Electrical Rating for MPS-822MP maglock terminal:

1A at 30VDC

Dimensions:

139 mm H x 104 mm W x 34 mm D
(5 1/2" H x 4 1/8" W x 1 3/8" D)

Notes

- Environment: Indoor, dry
- Do not change factory applied finishes.
- Wire as shown so that supervision of connections is maintained.
- Maximum wire size: 14 AWG
- ADA compliant.
- To be installed per ADA 4.27.1 to 4.27.4 inclusive.
- Wiring must be in accordance with CSA C22.1, Canadian Electrical Code, Part I, Safety Standard for Electrical Installations, Section 32 and CAN/ULC-S524, Standard for Installation of Fire Alarm Systems.
- All manual fire alarm stations shall be installed as per the specific requirements outlined in the UL/ULC codes, as well as all other applicable national or local codes. Final acceptance is subject to the local authority having jurisdiction.
- These devices may be operated with a blunt hand (no use of fingers) and do not require a striking action, tight grasping, pinching, or twisting of the wrist. The force required to actuate the devices is less than 22 N (5 lbf).

Install the manual station

Contents of kit

MPS-810MP, MPS-810MPU : 2 mounting screws, 2 reset keys (black)

MPS-802MP, MPS-822MP: 2 mounting screws, 2 reset keys (black), 2 stage two keys

A. Open

1. Insert the reset key into the reset keyhole and turn it.
2. Pull the cover open.

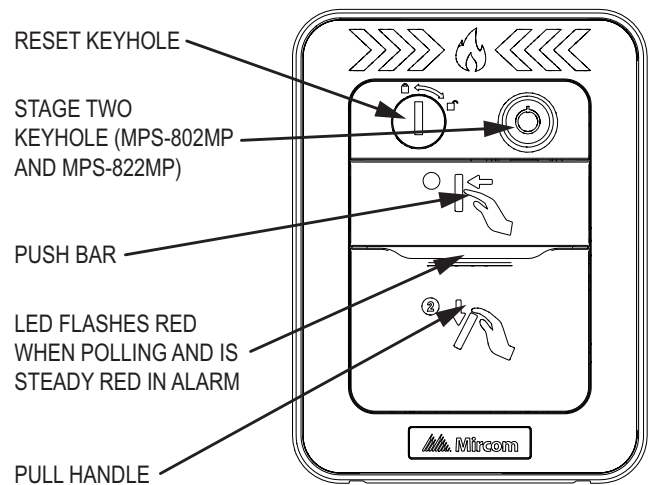


Figure 1 Front of manual station

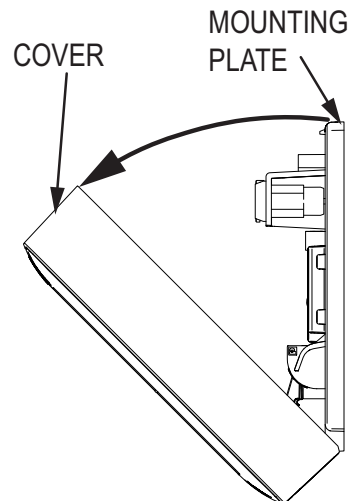


Figure 2 Opening the station

Canada
25 Interchange Way
Vaughan, ON L4K 5W3
Tel: 1-888-647-2665

U.S.A
4575 Witmer Industrial Estates
Niagara Falls, NY 14305
Tel: 1-888-647-2665

B. Wire

Note: The maximum wire size is 14 AWG.

1. Strip wires to 10 mm (25/64") maximum.
2. Push the wire into the terminal.

Note: The terminals have a push-in lock. To remove the wire, push the terminal in with the screwdriver and pull out the wire at the same time. See Figure 3.

TO REMOVE WIRE:

- 1) PLACE A SMALL FLATHEAD SCREWDRIVER INTO THE GROOVE AND PUSH IN. AT THE SAME TIME:
- 2) PULL THE WIRE OUT OF THE TERMINAL.

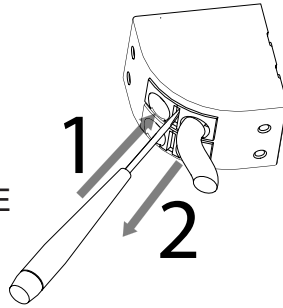


Figure 3 Removing the wire

3. Wire as shown in Figure 4.

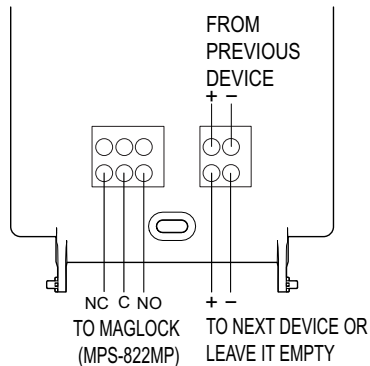


Figure 4 Wiring

C. Mount

Flush mount indoor: Single-gang electrical box.

Surface mount indoor: BB-800 backbox with or without STI-1230 (Deep Cover without Gasket)

Note: Mount the manual station with the Mircom logo on the bottom.

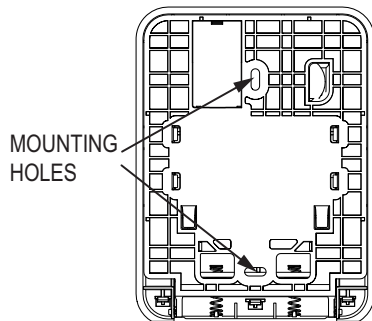


Figure 5 Back of manual station

D. Set the addressable module

CAUTION: To set the address on this device, disconnect it from the loop, or ensure that the loop to which it is connected is both disconnected from the panel and shorted across both pairs of + and - terminals at the device. Failing to take either of these steps may change the address programming of previously configured sensors on the same loop.

Follow the instructions in LT-6146, the MIX-4090 Device Programmer Installation Manual, available on <http://www.mircom.com>.

If left at its factory setting, the panel will report this device as having no address.

The connector for the device programmer is inside the unit above the addressable module, as shown in Figure 6.

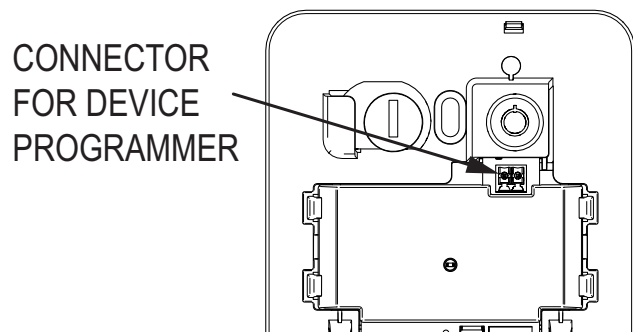


Figure 6 Connector for device programmer

Using the manual station

Activate the alarm

1. Push in the push bar.
2. Pull down the pull handle.

A qualified person must reset the station by opening it with the reset key. See **Reset the manual station** below.

Activate the stage two alarm (MPS-802MP and MPS-822MP)

- Insert the stage two key into the stage two keyhole, and then turn the key.

The stage two alarm activates immediately.

Note: The stage two alarm will activate automatically a certain amount of time after the handle has been pulled if no action is taken. This time is set in the Fire Alarm Control Panel.

Reset the manual station

Note: Resetting the station does not cancel the alarm at the panel.

1. Insert the reset key into the reset keyhole and turn it.
2. Pull the cover open. The switch is now reset.
3. Close and lock the station with the reset key.
4. Reset the Fire Alarm Control Panel to reset the alarm.