

resideo

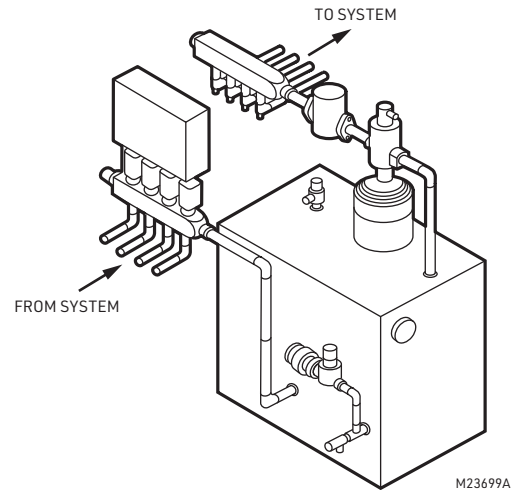


TK300 & XPS SERIES

CLOSED HEATING SYSTEM TANKS

DIAPHRAGM EXPANSION TANKS

PRODUCT DATA



APPLICATION

The Resideo diaphragm expansion tank is designed to provide for the expansion of water in a closed hot water heating or solar system. Maximum operating temperature is 240° F (116° C); maximum operating pressure is 100 psi (689 kPa). The tank is precharged at 12 psi (83 kPa). The diaphragm separates the air cushion from the water and prevents absorption of the air cushion by water, thus avoiding water logging. The expansion tank maintains pressure in the system and utilizes the smallest possible space.

INSTALLATION

Resideo recommends installing the expansion tank by screwing it into the 1/2 in. connection on the bottom of a Resideo Air Eliminator or Air purger located on the main hot water supply pipe close to the boiler. The installation of an Air Eliminator assures automatic removal of all air and microbubbles from the system. However, the expansion tank may also be screwed into any convenient connection. The tank should be installed in a vertical position. Series XPS tanks are provided with a stand for floor mounting. Pipe the tank connection to the inlet side of the circulating pump.



62-3080-02

OPERATION

After the Resideo expansion tank is installed on the system, fill the system and establish circulation, the Air Eliminator will automatically vent the air from the system. Operate the boiler to bring the system temperature up to the high-limit shut-off temperature, observe the system pressure to assure that it does not exceed the relief valve setting. If the system pressure is too high, reduce to the desired pressure by drawing a small amount of water from the system or by installing the next larger expansion tank. Do not release air from the tank. Air charge in tank should equal the setting of the reducing valve, 12 psi (83 kPa) standard.

SERVICE

If the system pressure is too high, check the pressure reducing valve (fill valve) for a malfunction (i.e. dirt on the valve seat). Check to see if the expansion tank has lost air by reducing the system pressure to zero and reading the tank pressure with a tire gage. Check for possible tankless heater leak by shutting off water supply to fill valve, reducing system pressure and observing pressure increase which would indicate a leak. If the relief valve drips water after excess system pressure condition has been corrected, flush relief valve by quickly raising the lever several times. If dipping continues after flushing replace relief valve.

Model No.	Total Volume in Gal. (liter)	Max. Acceptance Volume in Gal. (liter)	Dimensions		System Connection
			Diameter in inches (mm)	Length in inches (mm)	
TK300-15	2.0 (7.6)	1.0 (3.8)	8 (203)	13 (330)	1/2"M
TK300-30	4.4 (16.7)	2.5 (9.5)	11 (279)	15 (381)	1/2"M
TK300-60	6.7 (25.4)	2.7 (10.2)	11 (279)	20 (508)	1/2"M
TK300-90	14 (53.0)	11.3 (42.8)	15 (381)	21 (533)	1/2"M
XPS-030V	14 (53.0)	11.3 (42.8)	15 (381)	24 (610)	1"F
XPS-040V	20 (75.7)	11.3 (42.8)	15 (381)	32 (813)	1"F
XPS-060V	32 (121.1)	11.3 (42.8)	15 (381)	48 (1219)	1"F
XPS-090V	44 (166.6)	34 (128.7)	22 (559)	36 (914)	1 1/4"F
XPS-110V	62 (234.7)	34 (128.7)	22 (559)	47 (1194)	1 1/4"F
XPS-160V	86 (325.5)	46 (174.1)	26 (660)	47 (1194)	1 1/4"F

Connections: M = Male NPT F = Female NPT



Resideo Technologies, Inc.
1985 Douglas Drive North, Golden Valley, MN 55422
1-800-468-1502
62-3080-02 SA Rev. 06-23 | Printed in United States

www.resideo.com