

resideo



W8735ER Wireless Outdoor Reset Module

INSTALLATION INSTRUCTIONS



APPLICATION

The W8735ER Wireless Outdoor Reset Module, when connected to the C7089R1013 Wireless Outdoor Sensor, works with any AquaReset enabled Aquastat® such as the L7224/48 Aquastat, S9360/61/80 Integrated Boiler Control, and R7910 SOLA Control via the EnviraCOM™ 3-wire bus. The Wireless Outdoor Reset Module enables efficiency control functionality, such as Outdoor Temperature Reset, Boost function, and Warm Weather Shutdown function to generate average operational savings of up to 15%.

SPECIFICATIONS

Electrical Ratings: Voltage: 24 Vac, 60 Hz.

Environmental Ratings:

Temperature: -30 °F to +150 °F (-34 °C to +66 °C).
Humidity: 0 to 95% relative humidity, non-condensing.

Accessories (Can be ordered separately):
C7089R1013 Wireless Outdoor Temperature Sensor

FEATURES

- **RedLink™ wireless communication protocol**
- **Fast wireless connection to outdoor sensor**
- **Enables Boiler Outdoor Temperature Reset**
- **Enables Warm Weather Shutdown**
- **Enables Boost Override**
- **Simple low-voltage, 3-wire installation to combustion control (3 EnviraCOM)**
- **EnviraCOM™/RedLink Enabled**

INSTALLATION

When Installing this Product...

1. Read these instructions carefully. Failure to follow them could damage the product or cause a hazardous condition.
2. Check the ratings given in the instructions and on the product to make sure the product is suitable for your application.
3. The installer must be a trained, experienced service technician.
4. After installation is complete, check out product operation as provided in these instructions.



CAUTION

Electrical Shock Hazard.

Can cause electrical shock or equipment damage.
Disconnect power supply before connecting wiring.

5. The Outdoor Reset Module can be wall mounted in any orientation desired or dictated by the surroundings.
6. The holes are sized for the #6 sheet metal screws (included).
7. Precise leveling of the product is not required.



66-1202EFS-02

WIRING

CAUTION
Do not mount the W8735ER on a metallic surface as this can interfere with reception.

CAUTION
Electrical Interference (Noise) Hazard.
Can cause erratic system operation.
Keep wiring at least one foot away from large inductive loads such as motors, line starters, lighting ballasts and large power distribution panels.
Use shielded cable to reduce interference when rerouting is not possible.

1. Disconnect power.
2. Mount the Wireless Outdoor Temperature Control Module with the supplied hardware.
3. Wire the 1, 2, and 3 terminals on the Outdoor Reset Module to the 1, 2, and 3 terminals on the EnviraCOM™ enabled thermostat (if available), Aquastat, Integrated Burner Control, SOLA, or anywhere on the bus where access to the EnviraCOM bus is available and convenient. See Fig. 1.
4. Turn power on.
5. Bind the C7089R Wireless Outdoor Sensor to the Wireless Outdoor Reset Module. See "Sensor Binding" on page 3.

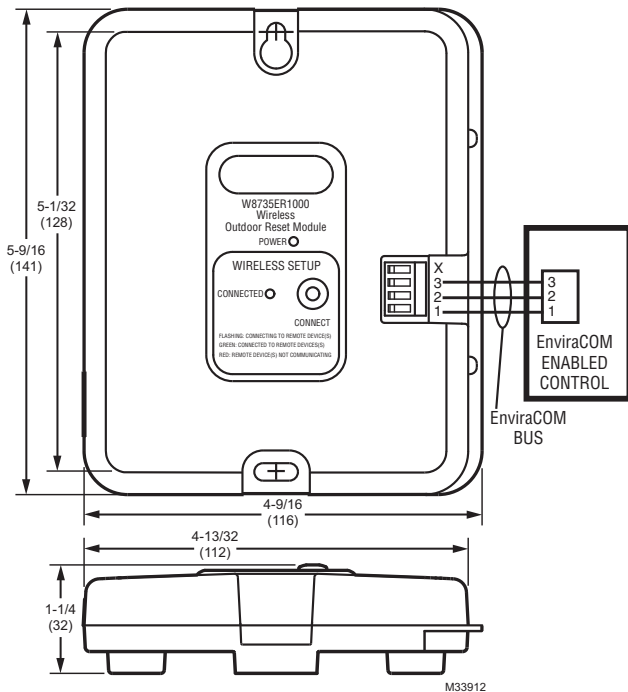


Fig. 1. W8735ER Wireless Outdoor Reset Module wiring diagram.

C7089R INSTALLATION

Mount Outdoor Sensor

Before installing the C7089 sensor, make sure 2 AA (lithium preferred) batteries are inserted. See Fig. 2.

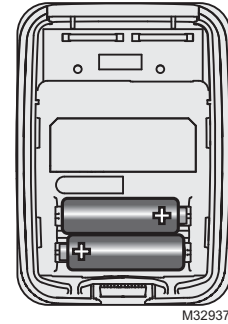


Fig. 2. Battery Installation

1. Mount the sensor bracket on a vertical wall. at least 6 inches below any overhang. Choose a location protected from direct sunlight. See Fig. 3.

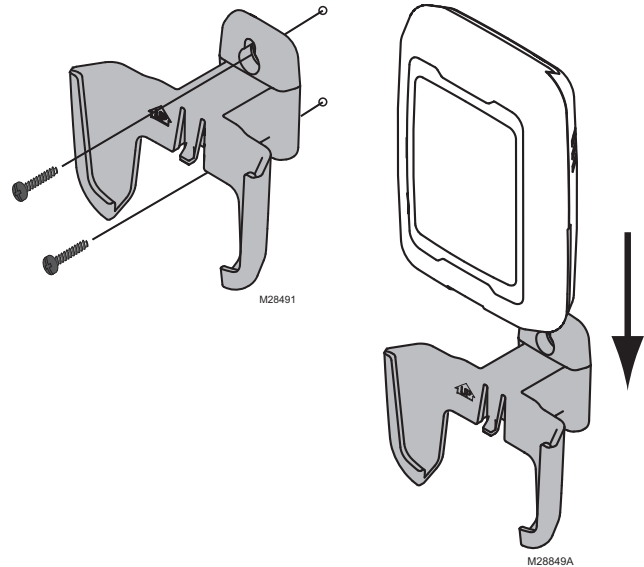


Fig. 3. Mounting the Sensor Bracket and Sensor

2. Mount the sensor bracket in the selected spot.
3. Once the sensor is bound to the W8735ER (see SENSOR BINDING), place the sensor in the bracket, facing away from the wall.

Sensor Binding

The C7089R Outdoor Sensor must be bound with the W8735ER Wireless Outdoor Reset Module in order for communication between the two controls to be established.

When the W8735ER Wireless Outdoor Temperature Module is powered but *not* bound to a sensor, the POWER LED will be ON (green) and the CONNECTED LED will be OFF.

1. Remove the cover from the C7089R to expose the CONNECT button.
2. Press the CONNECT button on the W8735ER until the CONNECTED LED flashes green (1 blink/second) after approximately five seconds of flashing red. If the sensor is not bound within the next 15 minutes the W8735ER times out and the CONNECTED LED will turn OFF.
3. While the CONNECTED LED flashes green on the W8735ER, press the CONNECT button on the C7089R sensor.
4. The CONNECTED LED will start to blink fast (4 blinks/second).

NOTE: If flashing doesn't speed up to 4 blinks/second, the sensor and the W8735ER have not bound. Repeat step 4. If binding is not successful during a 15 minutes period, the W8735ER will time out. Repeat steps 2 through 4. Make sure the W8735ER and the sensor are positioned at least 3 feet apart during the binding process.

5. Once the flashing rate goes back to 1 blink/second, press the CONNECT button on the W8735ER to end the binding process.
6. Once the C7089R sensor and the W8735ER bind, the CONNECTED LED on the W8735ER will be ON solid (green).
7. Place sensor cover back on the sensor and return the sensor to the bracket. See Fig. 3.

NOTE: Pressing the CONNECT button on either the W8735ER or wireless sensor for 15 seconds or more will result in the unbinding of the wireless sensor and deactivation of the OTC functionality. To rebind the sensor to the W8735ER follow steps 1-7 in this section.

NOTES:

- If the W8735ER is bound to a sensor but the sensor signal is lost, the CONNECTED LED will be ON (red).
- Once the sensor is bound to the W8735ER and the module is connected to the EnviraCOM communication bus as described in the WIRING section of this document, hold the sensor where you intend to install it and check for the outdoor temperature to be displayed on the combustion control. If the outdoor temperature is not displayed, change the positioning of the sensor.
- If the W8735ER is not successfully bound to C7089R within five minutes of power up, the W8735ER will generate a missing sensor alarm. See Table 6 for a complete listing of EnviraCOM alarms and troubleshooting guide.

OPERATION

General

The W8735ER Wireless Outdoor Reset Module is a device which when connected to an AquaReset enabled Electronic Aquastat, Integrated Boiler Control (IBC) or SOLA control via the EnviraCOM™ communication bus, enhances the available control features to include Outdoor Temperature Reset, a stepped Boost function as well as Warm Weather Shutdown to provide increased boiler efficiency while servicing the heat demand. Set-up of the Outdoor Setback curve as well as the Boost function is done using the 3-digit/3-button display on the L7224/L7248 Aquastat (see L7224 Installation Instructions Form Number 69-1720 and/or Form Number 68-0281 for more information). For the IBC setup see Form Number 66-1203 Installation Instructions for more

information. For SOLA, set-up of the reset curve is done using the S7910 or S7999 display (See Form Numbers 65-0315, 66-1175, and 68-0295 for more information.)

Adjusting Aquastat and IBC Settings

To discourage unauthorized/unintentional changing of Aquastat and IBC settings, a procedure to enter the ADJUSTMENT mode is required. To enter the ADJUSTMENT mode, press the UP, DOWN, and I buttons (See Fig. 4) simultaneously for three seconds. Next, press the I button until the feature requiring adjustment is displayed then use the arrow up/down buttons to set the parameter value (See Table 4). After 60 seconds without any button inputs, the controller will automatically return to the normal display mode.

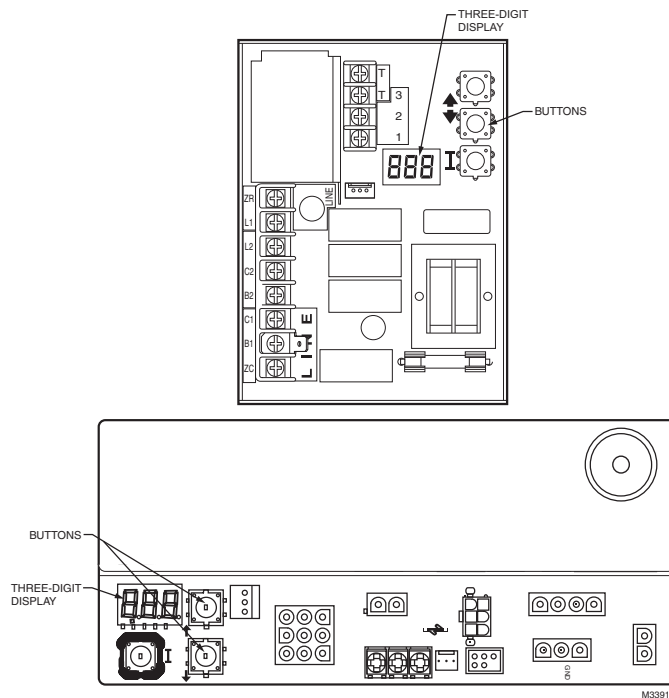


Fig. 4. Location of L7224/L7248 and S936X 3-digit display and buttons.

Outdoor Reset

The Outdoor Reset feature adjusts the target boiler temperature to a point below its local high limit setting and above the boiler's condensation temperature by using the EnviraCOM communication bus to directly adjust the Aquastat set-point. Should a call for Domestic Hot Water be detected, the boiler temperature is commanded to return to the High Limit setting, ensuring a hot water supply is available. When the Domestic Hot Water demand is met, the Outdoor Reset feature is once again enabled. See Table 1 and Fig. 5.

Application and Settings Pointers

The energy savings concept behind Outdoor Reset is to minimize the energy in the boiler that is lost during the off cycle. This is accomplished by maintaining the boiler

temperature as low as possible and/or running the boiler for longer periods of time. Although considerable energy savings exists, the boiler is only one part of the system that includes thermostats, other controls, and radiation. To maximize savings while avoiding call-backs due to uncomfortable homeowners, care must be taken when adjusting the control parameters. Listed below are operation and adjustment pointers. See Fig. 5.

Low Boiler Temperature: This is the minimum temperature at which the boiler is designed to operate. Setting this too low during warmer periods may result in condensation in the boiler and reduce boiler life. Typically this setting is 130 °F (54 °C) for gas boilers and 140 °F (60 °C) for oil boilers and is adjusted to be maintained at the high outdoor temperature setting. Some new cast iron boilers are designed to operate at lower temperatures. Consult the manufactures' specifications.

Low Outdoor Temperature: As the outdoor temperature decreases, the boiler temperature must increase to provide more heat to the space. The Low Outdoor Temperature (design temperature) is the point at which the boiler should be set to its high limit setting. Setting the boiler temperature too low during the coldest periods will result in the inability to keep up with heat demand. This is the critical setting in avoiding call-backs.

High Outdoor Temperature: This is the outdoor temperature for which the Low Boiler Temperature is set. This is the parameter that most impacts energy savings. Setting the High Outdoor Temperature too high results in less energy savings as the boiler may run at a higher temperature during warmer weather than necessary to maintain comfort in the space. Setting this parameter too low will result in too narrow a range for the control to be adjusting boiler temperature. In most cases the default of 40 °F (4.4 °C) is fine.

NOTE: In many cases these parameters will not need to be adjusted as their default values are designed to accommodate mid-Atlantic and lower New England areas.



CAUTION

Possible Equipment Damage

When enabling the Outdoor Reset function, be sure to refer to the boiler OEM's instructions for the lowest return water setting to avoid condensation in the heat exchanger, which can result in equipment damage.

Table 1. Outdoor Reset Curve Settings and Defaults.¹

Aquastat			
Parameter	Minimum value	Maximum value	Default
High Limit	130 °F (54 °C)	240 °F (116 °C)	180 °F (82 °C)
Minimum Outdoor Temperature	-40 °F (-40 °C)	40 °F (4.4 °C)	0 °F (-18 °C)
Minimum Boiler temperature	80 °F (27 °C)	180 °F (82 °C)	130 °F (54 °C)
Maximum Outdoor Temperature	30 °F (-1 °C)	70 °F (21 °C)	40 °F (4.4 °C)

IBC			
Parameter	Minimum value	Maximum value	Default
High Limit	130 °F (54 °C)	220 °F (104 °C)	180 °F (82 °C)
Minimum Outdoor Temperature	-40 °F (-40 °C)	40 °F (4.4 °C)	0 °F (-18 °C)
Minimum Boiler temperature	130 °F (54 °C)	150 °F (56 °C)	140 °F (60 °C)
Maximum Outdoor Temperature	40 °F (12.7 °C)	70 °F (21 °C)	40 °F (12.7 °C)

¹ Minimum values, Maximum values and Default High Limit settings shown are for the L7224U and the S9361 IBC. Values may change for other Aquastats and IBCs. Check the specific Aquastat and/or IBC Installation Instruction manual for more information on default settings.

Boost

If heat demand is not met within a certain time period while the boiler is in setback mode (following the Outdoor Reset curve), a Boost Period is invoked where the boiler set point is increased by a value called the Boost Step. Each time the Boost Period elapses and heat demand is not satisfied, the boiler set-point is again increased by the Boost Step, up to the maximum setting provided by the High Limit setting (see Table 2 and Fig. 5). Boost is reset when the heat demand is satisfied (local or remote call for heating has ended). Simply reaching the boiler set-point does not reset the Boost. Continuous Boost calls may be an indication of a poorly set Outdoor Reset Curve for the environment or faulty equipment. For the Aquastat, a Boost warning will be indicated on the 3-digit Aquastat display if Boost is required on 60 consecutive cycles. See Table 5.

For the Aquastat, the Boost Period can be set from OFF to a range of 5 minutes to 30 minutes, adjustable in 1 minute increments. The default setting is 10 minutes. The Boost Step can be set from Off to a range of 5 °F (-15 °C) to 20 °F (-7 °C).

For the IBC, the Boost Period is fixed at 30 minutes and the Boost Step is fixed at 5 °F. See Table 2.

Table 2. Boost Settings and Defaults.

Aquastat			
Parameter name	Minimum value	Maximum Value	Default
Boost Period	5 minutes (or Off)	30 minutes	10 minutes
Boost Step	5 °F (or Off)	20 °F	10 °F

IBC	
Parameter name	Value ¹
Boost Period	30 minutes
Boost Step	5 °F (or Off)

¹ For the IBC, both the Boost Period and Boost Step are fixed parameters and can not be adjusted.

Warm Weather Shutdown - Aquastat

The Warm Weather Shutdown feature causes a “Warm Start” boiler to shut down when the outdoor temperature exceeds a specified value. Warm Start boilers maintain a minimum temperature by setting the Low Limit on the Aquastat. If enabled this feature cancels the Low Limit setting when the outdoor temperature exceeds a specified value.

CAUTION

Zone Panel Settings

In applications with zoning panels having a priority zone for domestic hot water: Disable the warm weather shutdown feature on the Aquastat.

The Warm Weather Shutdown feature can be set from OFF to a range of 40 °F (4.4°C) to 70 °F (21 °C), adjustable in 10 degree increments. The default setting is OFF. See Table 3.

Table 3. Warm Weather Shutdown Settings and Defaults.

Parameter name	Minimum value	Maximum Value	Default
Warm Weather Shutdown	40 °F (or Off)	70 °F	Off

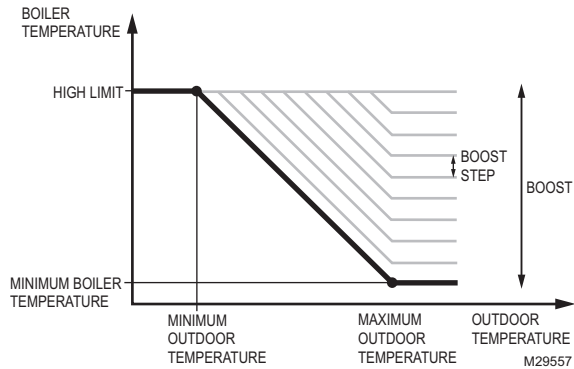


Fig. 5. Outdoor temperature setback curve with boost.

As Outdoor Temp reaches the Warm Weather Shutdown set-point (if enabled), the boiler is kept from cycling and will only service DHW demands if the Aquastat Zr terminal is configured for Domestic Hot Water request. See Table 4 on page 7.

Table 4. Programming Parameters.

Aquastat	
HL_	High Limit.
Hdf	High Limit Differential.
LL*_	Low Limit.
Ldf	Low Limit Differential.
ELL***	ZR input configured as External Low Limit (ON/OFF)
duu	ZR input configured as external Domestic Hot Water (DHW) request (ON/OFF)
ASC	Anti Short Cycle Timeout (seconds); "OFF" is disabled.
otL	Outdoor Temperature Low (minimum) parameter for the outdoor reset curve (°F or °C)*
otH	Outdoor Temperature High (maximum) parameter for outdoor reset curve (°F or °C)*
btL	Boiler Temperature Low (minimum) parameter for outdoor reset curve*
bP	Boost Period (minutes). "OFF" is displayed if Boost is inactive*
bS	Boost step (°F or °C) shown only if Boost is active (bP=ON)*
UUS	Warm Weather Shutdown Temperature (°F or °C)*
tPL**	Thermal Purging Limit Temperature (°F or °C), "OFF" if disabled.
tPt**	Thermal Purging Time Delay (minutes), shown only if tPL is enabled
PC	Pump Cycling (ON/OFF)
F-C	Temperature units (°F or °C)

*Settings available for adjustment on the 3-digit Aquastat display only when the "Outdoor Reset Module" is installed.

**Not displayed when connected to an L7248 Aquastat Control.

***Only displayed when connected to an L7248L Aquastat Control.

IBC	
HL_	High Limit.
Hdf	High Limit Differential.
Or_	Pump Overrun Time
otL	Outdoor Temperature Low (minimum) parameter for the outdoor reset curve (°F or °C)
otH	Outdoor Temperature High (maximum) parameter for outdoor reset curve (°F or °C)
btL	Boiler Temperature Low (minimum) parameter for outdoor reset curve
tPL	Thermal purging minimal temperature (Parameter is available only if outdoor temperature is invalid)
tPt	Maximal Thermal Purge time (Parameter is available only if outdoor temperature is invalid)
rSt	Reset Lockout
F-C	Temperature units (°F or °C)

WIRELESS OUTDOOR RESET MODULE ALARMS AND TROUBLESHOOTING

The W8735ER Wireless Outdoor Reset Module's enhanced diagnostics provides information alerting of deteriorating boiler efficiency or if the system is not running optimally. Outdoor reset-related errors can be displayed on diagnostic tools and displays. Errors are also displayed on the Aquastat's 3-digit display. See Table 5 for available Outdoor reset-related error codes.

Table 5. Aquastat Outdoor Reset Related Error Codes.

Error Code	Cause/Action	EnviraCOM Alarm
Err 9 ^a	Warning: Outdoor Reset System failure; communication to Outdoor Reset Module lost, Outdoor Reset Module failure, multiple outdoor temperature sensors detected on the bus, or outdoor temperature sensor failure. Check EnviraCOM wiring (1, 2, 3), check sensor wiring.	50, 53, 149
Err 10 ^a	Warning: Boost Failure; Boost Mode active at least once per cycle for the last 60 consecutive cycles. Check Outdoor Reset curve settings.	150
Err 11 ^a	DHW Module Sensor failure. Warning: DHW System failure; communication to DHW Module lost, DHW Module failure, or temperature sensor failure. Check EnviraCOM wiring (1, 2, 3), check sensor wiring.	146, 147, 148

^a Warnings are generated to enunciate the system is not operating optimally, but the Aquastat is still operating and maintaining boiler temperature. In the instance where an Outdoor Reset Module is used, the warnings may indicate a reset curve setting error one or more features is not running optimally, and the Aquastat is reverting to default settings or has stopped running the Outdoor Reset algorithms. The warnings are cleared when the issue(s) is resolved.

NOTE: Aquastat alarms reset automatically once the alarm condition has been resolved. Alarms can also be reset by cycling power if the alarm condition is no longer present.

Table 6. EnviraCOM Outdoor Reset Alarms and Troubleshooting.

Alarm Description	EnviraCOM Alarm	Troubleshooting
Duplicate Outdoor Temp Alarm Present	50	Only one outdoor sensor (wired/wireless) is allowed. Ensure no other outdoor sensors is connected.
Outdoor Temp Sensor Low Battery Alert	156	Replace sensor batteries
Outdoor Sensor Missing/Failure	53	Outdoor sensor failure. Replace sensor.
Missing Outdoor Temp Sensor	149	Module not bound within 5 minutes of power-up or lost once enrolled. Check batteries

Regulatory information

FCC Compliance Statement (Part 15.19) (USA only)

This device complies with Part 15 of the FCC Rules.

Operation is subject to the following two conditions:

- 1 This device may not cause harmful interference, and
- 2 This device must accept any interference received, including interference that may cause undesired operation.

FCC Warning (Part 15.21) (USA only)

Changes or modifications not expressly approved by the party responsible for compliance could void the user's authority to operate the equipment.

FCC Interference Statement (Part 15.105 (b)) (USA only)

This equipment has been tested and found to comply with the limits for a Class B digital device, pursuant to Part 15 of the FCC Rules. These limits are designed to provide reasonable protection against harmful interference in a residential installation. This equipment generates uses and can radiate radio frequency energy and, if not installed and used in accordance with the instructions, may cause harmful interference to radio communications. However, there is no guarantee that interference will not occur in a particular installation. If this equipment does cause harmful interference to radio or television reception, which can be

determined by turning the equipment off and on, the user is encouraged to try to correct the interference by one of the following measures:

- Reorient or relocate the receiving antenna.
- Increase the separation between the equipment and receiver.
- Connect the equipment into an outlet on a circuit different from that to which the receiver is connected.
- Consult the dealer or an experienced radio/TV technician for help.

Wireless adapter

To comply with FCC and Industry Canada RF exposure limits for general population/ uncontrolled exposure, the antenna(s) used for these transmitters must be installed to provide a separation distance of at least 20 cm from all persons and must not be co-located or operating in conjunction with any other antenna or transmitter.

Section 7.1.5 of RSS-GEN

Operation is subject to the following two conditions:

- 1 this device may not cause interference, and
- 2 this device must accept any interference, including interference that may cause undesired operation of the device.



Resideo Technologies, Inc.
1985 Douglas Drive North, Golden Valley, MN 55422
1-800-468-1502
66-1202EFS-02 M.S. Rev. 06-21 | Printed in United States

www.resideo.com

Module sans fil à réarmement d'extérieur W8735ER

NOTICE D'INSTALLATION



APPLICATION

Connecté au capteur sans fil d'extérieur C7089R1013, le module sans fil à réarmement d'extérieur W8735ER fonctionne avec n'importe quel Aquastat® compatible AquaReset, comme l'Aquastat L7224/48, la commande de chaudière intégrée S9360/61/80 et la commande R7910 SOLA via le bus 3 fils EnviraCOM™. Le module sans fil à réarmement d'extérieur offre une fonctionnalité de contrôle de rendement, telle que le réarmement de la température extérieure, la fonction de suralimentation et une fonction d'arrêt par temps chaud afin de générer des économies moyennes de fonctionnement pouvant atteindre 15 %.

CARACTÉRISTIQUES

Caractéristiques électriques : Tension : 24 V c.a., 60 Hz

Caractéristiques environnementales :
Température : -30 °F à +150 °F (-34 °C à +66 °C).
Humidité : 0 à 95% d'humidité relative, sans condensation.

Accessoires (peuvent être commandés séparément) :
Capteur de température extérieure sans fil C7089R1013

CARACTÉRISTIQUES

- Protocole de communication sans fil RedLink™
- Connexion sans fil rapide au capteur d'extérieur
- Active le réarmement de la température extérieure de la chaudière
- Active l'arrêt par temps chaud
- Active la suralimentation
- Installation simple 3 fils à basse tension à la commande de combustion (3 EnviraCOM)
- Compatible EnviraCOM™/RedLink

INSTALLATION

Lors de l'installation du produit...

1. Lire attentivement ces instructions. Le non-respect des instructions peut endommager le produit ou provoquer une situation dangereuse.
2. Vérifier les caractéristiques nominales indiquées dans les instructions et sur le produit pour s'assurer que le produit correspond bien à l'application prévue.
3. L'installateur doit être un technicien d'expérience ayant reçu la formation pertinente.
4. Une fois l'installation terminée, vérifier que le produit fonctionne comme indiqué dans ces instructions.



MISE EN GARDE

Risque de choc électrique.
Peut provoquer des chocs électriques ou endommager le matériel.

Couper l'alimentation électrique avant d'effectuer le raccordement.

5. Le module de réarmement d'extérieur peut être monté sur le mur selon l'orientation désirée ou imposée par l'environnement.
6. Les orifices sont dimensionnés pour les vis à tôle n° 6 (incluses).



CÂBLAGE

⚠ MISE EN GARDE

Ne pas monter le W8735ER sur une surface métallique car elle pourrait interférer avec la réception.

⚠ MISE EN GARDE

Risque d'interférences électriques (bruits).
Peut provoquer le fonctionnement erratique du système.

Tenir le fil à au moins 1 pi (30 cm) de distance de charges inductives importantes telles que des moteurs, des démarreurs, des ballasts d'éclairage et de grands tableaux de distribution.

Utiliser du fil blindé pour réduire l'interférence lorsqu'il est impossible d'acheminer le fil autrement.

1. Débrancher l'alimentation.
2. Monter le module sans fil de commande de température d'extérieur avec le matériel fourni.
3. Raccorder les bornes 1, 2 et 3 de bus EnviraCOM du module de réarmement d'extérieur aux bornes 1, 2 et 3 du thermostat Aquastat compatible EnviraCOM™ (si offert), la commande de chaudière intégrée, le SOLA ou n'importe où sur le bus EnviraCOM où l'accès est disponible et pratique. Voir la Fig. 1.
4. Mettre l'appareil en marche.
5. Relier le capteur sans fil d'extérieur C7089R au module sans fil de réarmement d'extérieur. Consulter « Connexion du capteur » à la page 3.

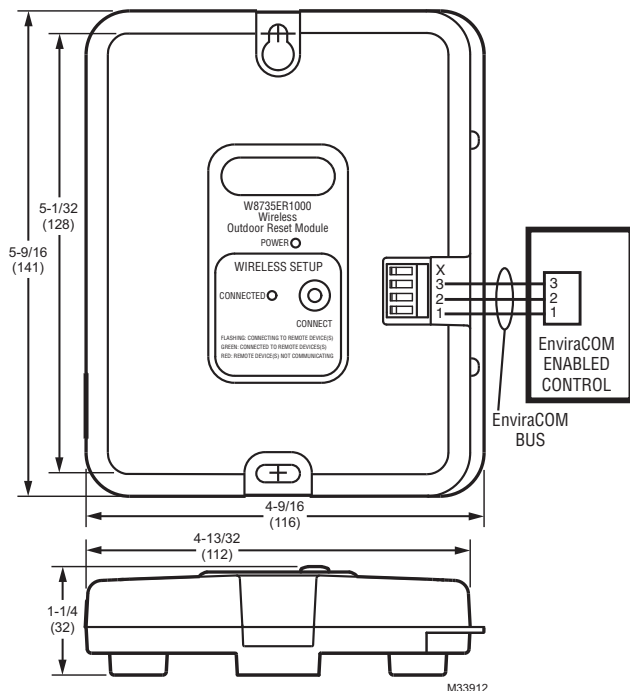


Fig. 1. Schéma de câblage du module sans fil à réarmement d'extérieur W8735ER.

INSTALLATION DU C7089R

Monter le capteur extérieur

Avant d'installer le capteur C7089, vérifier que les 2 piles AA (lithium de préférence) sont en place. Voir la Fig. 2.

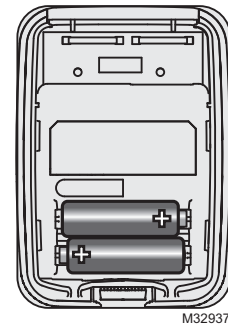


Fig. 2. Installation des piles.

1. Monter le support du capteur sur un mur vertical, à au moins 6 pouces en dessous de tout surplomb. Choisir un emplacement à l'abri de la lumière solaire directe. Voir la Fig. 3.

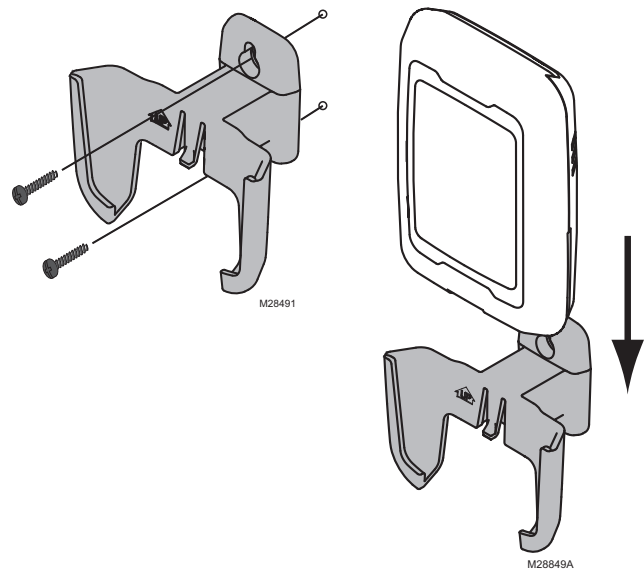


Fig. 3. Montage du support de capteur et du capteur.

2. Monter le support de capteur à l'endroit choisi.
3. Une fois le capteur relié au W8735ER (voir « Connexion du capteur »), le placer dans son support dos au mur.

Connexion du capteur

Le capteur d'extérieur C7089R doit être relié au module sans fil de réarmement d'extérieur W8735ER pour pouvoir établir la communication entre les deux commandes.

Quand le module sans fil de température extérieure W8735ER est sous tension mais pas connectée à un capteur, la DEL d'alimentation est allumée (vert) et la DEL de connexion est éteinte.

1. Retirer le cache du C7089R pour dévoiler le bouton CONNECT.
2. Appuyer sur le bouton CONNECT du W8735ER jusqu'à ce que la DEL CONNECTED clignote en vert (1 clignotement/seconde) après avoir clignoté en rouge environ cinq secondes. Si le capteur n'est pas connecté dans les 15 minutes, le W8735ER se met en veille et la DEL CONNECTED s'éteint.
3. Quand la DEL CONNECTED clignote en vert sur le W8735ER, appuyer sur le bouton CONNECT du capteur C7089R.
4. La DEL CONNECTED commence à clignoter rapidement (4 clignotements/seconde).

REMARQUE : Si la fréquence de clignotement n'atteint pas 4 clignotements/seconde, le capteur et le W8735ER n'ont pas établi de connexion. Répéter l'étape 4. Si la connexion échoue pendant 15 minutes, le W8735ER se met en veille. Répéter les étapes 2 à 4. Veiller à positionner le W8735ER et le capteur à au moins 3 pieds d'écart durant le processus de connexion.

5. Une fois que la fréquence de clignotement revient à 1 clignotement/seconde, appuyer sur le bouton CONNECT du W8735ER pour mettre fin au processus.
6. Quand le capteur C7089R et le W8735ER se connectent, la DEL CONNECTED du W8735ER s'allume en continu (vert).
7. Remettre le cache du capteur sur le capteur et le capteur dans son support. Voir la Fig. 3.

REMARQUE : Une pression sur le bouton CONNECT du W8735ER ou du capteur sans fil pendant 15 secondes ou plus entraîne la déconnexion du capteur sans fil et la désactivation de la fonction OTC. Pour reconnecter le capteur au W8735ER, appliquer les étapes 1-7 de cette section.

REMARQUES :

- Si le W8735ER est relié à un capteur mais que le signal du capteur est perdu, la DEL CONNECTED s'allume (rouge).
- Une fois que le capteur est connecté au W8735ER et que le module est connecté au bus de communication EnviraCOM tel que décrit dans la section CÂBLAGE de ce document, tenir le capteur là où vous comptez l'installer et vérifier la température extérieure à afficher sur la commande de combustion. Si la température extérieure n'apparaît pas, modifier la position du capteur.
- Si la connexion du W8735ER au C7089R n'est pas établie dans les cinq minutes suivant la mise sous tension, le W8735ER génère une alarme d'absence de capteur. Voir le Tableau 6 pour une liste complète des alarmes EnviraCOM et un guide de dépannage.

FONCTIONNEMENT

Général

Le module sans fil à réarmement d'extérieur W8735ER est un appareil qui, connecté à un Aquastat électronique compatible AquaReset, une commande de chaudière intégrée (IBC) ou une commande SOLA via le bus de communication EnviraCOM™, améliore les fonctions de contrôle disponibles de manière à inclure un réarmement de la température extérieure, une fonction de suralimentation étagée ainsi qu'un arrêt par temps chaud afin d'améliorer le rendement de la chaudière tout en fournissant la demande en chaleur. Le réglage de la courbe de compensation extérieure tout comme de la fonction de suralimentation est effectué en utilisant l'afficheur à trois touches/chiffres de l'Aquastat L7224/L7248 (consulter le formulaire de directives d'installation n° 69-1720 et/ou no 68-0281 du L7224 pour obtenir de plus amples renseignements.) Pour l'installation de l'IBC, voir le formulaire de directives d'installation n° 66-1203 pour plus d'informations. Pour la commande SOLA, la courbe de réarmement est configurée à l'aide de l'afficheur S7910 ou S7999 (voir les formulaires n° 65-0315, 66-1175 et 68-0295 pour plus d'informations.)

Paramétrages Aquastat et IBC

Pour empêcher la modification non autorisée/involontaire des réglages Aquastat et IBC, le mode ADJUSTMENT (RÉGLAGE) requiert de suivre une procédure de saisie. Pour accéder au mode RÉGLAGE, appuyer simultanément sur les touches HAUT, BAS et I pendant trois secondes (se reporter à la fig. 4). Appuyer ensuite le touche I jusqu'à ce que la fonction à régler s'affiche lors de l'utilisation des touches Haut/bas pour entrer les paramètres (se reporter au tableau 4). Après 60 secondes sans saisie de touches, le régulateur retournera automatiquement au mode d'affichage normal.

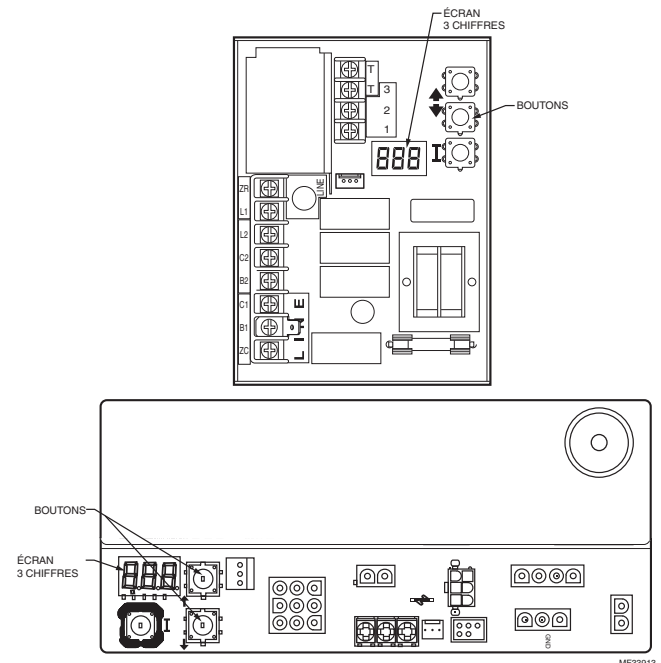


Fig. 4. Emplacement de l'écran 3 chiffres et des boutons des L7224/L7248 et S936X.

Réarmement extérieur

La fonction de réarmement d'extérieur ajuste la température cible de la chaudière à une valeur en deçà du réglage limite haute et au dessus de la température de condensation de la chaudière en utilisant le bus de communication EnviraCOM pour régler directement le point de consigne Aquastat. Si une demande d'eau chaude domestique est détectée, la température de la chaudière retourne sur commande au réglage limite haute pour assurer une disponibilité en eau chaude. Si une demande en eau chaude domestique est satisfaite, la fonction de réarmement d'extérieur s'active une fois de plus. Voir le tableau 1 et la figure 5.

Application et conseils de réglages

Le concept d'économie d'énergie associé au réarmement d'extérieur vise à minimiser la perte d'énergie dans la chaudière durant le cycle d'arrêt. Cela est accompli en maintenant la température de la chaudière aussi basse que possible et/ou en faisant fonctionner la chaudière pendant des périodes de temps prolongées. Bien qu'il soit possible de réaliser d'importantes économies, la chaudière est la seule partie du système qui comprend des thermostats, d'autres commandes et de la radiation. Pour maximiser les économies tout en évitant des rappels dus à l'inconfort des propriétaires, certaines précautions doivent être prises lors du réglage des paramètres de commande. Voici quelques conseils relatifs au fonctionnement et au réglage. Voir la Fig. 5.

Basse température de la chaudière : Il s'agit de la température de fonctionnement minimale de la chaudière. Le fait de placer ce réglage trop bas durant les saisons chaudes causera de la condensation dans la chaudière et en réduira la durée de vie. Généralement, ce réglage est de 54 °C (130 °F) pour les chaudières à gaz et 60 °C (140 °F) pour les chaudières à l'huile. Il est réglé de manière à persister avec la température extérieure élevée. Certaines chaudières en fonte sont conçues pour fonctionner à des températures plus froides. Consulter les spécifications du fabricant.

Basse température extérieure : Pendant que la température extérieure diminue, la température de la chaudière doit augmenter pour produire plus de chaleur dans l'espace. La température extérieure basse (température intégrée à la conception) est le point auquel la chaudière doit être réglée à sa limite haute. Une température de chaudière trop basse durant les saisons froides provoquera une incapacité à répondre à la demande de chaleur. Il s'agit d'un réglage critique pour éviter des rappels.

Haute température extérieure : Il s'agit de la température extérieure qui correspond à la température basse de la chaudière. C'est le paramètre qui influence le plus les économies d'énergie. Une température extérieure élevée réglée trop bas diminue les économies d'énergie car la chaudière peut fonctionner par temps chaud à des températures plus élevées que nécessaire pour maintenir le confort de l'espace. Si la valeur de ce réglage est trop bas, la plage sera trop restrictive et ne permettra pas à la commande de régler adéquatement la température de la chaudière. Dans la plupart des cas, le réglage par défaut est de 4,4 °C (40 °F).

REMARQUE : Dans la plupart des cas, il ne sera pas nécessaire de régler ces paramètres étant donné que leurs valeurs par défaut sont établies pour convenir aux régions médio-atlantique et du sud de la Nouvelle-Angleterre.



MISE EN GARDE

Risque d'endommagement de l'équipement

Lors de l'activation de la fonction réarmement d'extérieur, s'assurer de se reporter aux directives fournies par le fabricant de la chaudière pour connaître le réglage minimum de l'eau de retour de manière à éviter la formation de condensation dans l'échangeur de chaleur car cela pourrait causer l'endommagement de l'équipement.

Tableau 1. Réglages de la courbe de compensation extérieure et des valeurs par défaut.¹

Aquastat			
Paramètre	Valeur minimale	Valeur maximale	Défaut
Limite haute	130 °F (54 °C)	240 °F (116 °C)	180 °F (82 °C)
Température extérieure minimale	-40 °F (-40 °C)	40 °F (4,4 °C)	0 °F (-18 °C)
Température minimale de la chaudière	80 °F (27 °C)	180 °F (82 °C)	130 °F (54 °C)
Température extérieure maximale	30 °F (-1 °C)	70 °F (21 °C)	40 °F (4,4 °C)

IBC			
Paramètre	Valeur minimale	Valeur maximale	Défaut
Limite haute	130 °F (54 °C)	220 °F (104 °C)	180 °F (82 °C)
Température extérieure minimale	-40 °F (-40 °C)	40 °F (4,4 °C)	0 °F (-18 °C)
Température minimale de la chaudière	130 °F (54 °C)	150 °F (56 °C)	140 °F (60 °C)
Température extérieure maximale	40 °F (12,7 °C)	70 °F (21 °C)	40 °F (12,7 °C)

¹ Les paramètres valeurs minimum, valeurs maximum et limite haute par défaut indiquées valent pour l'IBC L7224U et S9361. Les valeurs peuvent différer pour d'autres Aquastat et IBC. Consulter les directives d'installation de l'Aquastat et/ou l'IBC concerné pour en savoir plus sur les réglages par défaut.

Suralimentation

Si la demande de chaleur n'est pas satisfaite dans une période de temps donnée pendant que la chaudière se trouve en mode de décalage (suivant la courbe de compensation extérieure), une période de suralimentation est appelée au cours de laquelle le point de consigne est augmenté d'une valeur portant le nom d'étape de suralimentation. Chaque fois que la période de suralimentation s'écoule et que la demande en chaleur n'est pas satisfaite, le point de consigne de la chaudière est augmenté une fois de plus par l'intermédiaire de l'étape de suralimentation, jusqu'au réglage maximum fourni par le réglage limite haute (consulter le tableau 2 et la figure 5). La suralimentation est réinitialisée lorsque la demande en chaleur est satisfaite (la demande en chaleur locale ou à distance est terminée). Le simple fait d'atteindre le point de consigne de la chaudière ne réinitialise pas la suralimentation. Des demandes continues en suralimentation peuvent indiquées un mauvais réglage de la courbe de compensation extérieure pour l'environnement ou une défaillance de l'équipement. Pour l'Aquastat, un avertissement de suralimentation apparaîtra sur l'afficheur Aquastat à 3 chiffres si la suralimentation est requise pendant 60 cycles consécutifs. Voir le Tableau 5.

Pour Aquastat, la période de suralimentation peut être réglée à ARRÊT, ou selon une plage variant entre 5 et 30 minutes, par tranche de 1 minute. Le réglage par défaut est de 10 minutes. L'étape de suralimentation peut être réglée à Arrêt, ou selon une plage variant entre -15 °C (5 °F) et -7 °C (20 °F).

Pour l'IBC, la période de suralimentation est fixée à 30 minutes et l'Étape de suralimentation est fixée à 5 °F. Voir le Tableau 2.

Tableau 2. Réglages de suralimentation et réglages par défaut.

Aquastat			
Nom du paramètre	Valeur minimale	Valeur maximale	Défaut
Période de suralimentation	5 minutes (ou Arrêt)	30 minutes	10 minutes
Étape de suralimentation	5 °F (ou Arrêt)	20 °F	10 °F

IBC	
Nom du paramètre	Value ¹
Période de suralimentation	30 minutes
Étape de suralimentation	5 °F (ou Arrêt)

¹ Pour l'IBC, la période de suralimentation et l'étape de suralimentation sont des paramètres fixes qui ne peuvent pas être réglés.

Arrêt par temps chaud - Aquastat

La fonction d'arrêt par temps chaud occasionne la mise hors fonction d'une chaudière à « démarrage à chaud » lorsque la température extérieure dépasse une valeur indiquée par défaut. Les chaudières à démarrage à chaud maintiennent une température minimale en réglant la limite basse de l'Aquastat. Si elle est activée cette fonction annule le réglage limite basse lorsque la température extérieure dépasse une valeur indiquée.

⚠ MISE EN GARDE

Réglage du panneau de contrôle par zonage

Dans des applications avec panneaux de contrôle par zonage pour l'eau chaude domestique : Désactiver la fonction d'arrêt par temps chaud sur l'Aquastat.

La fonction d'arrêt par temps chaud peut être réglée à ARRÊT ou selon une plage variant entre 4,4 °C (40 °F) et 21 °C (70 °F), par tranches de 10 degrés. Le réglage par défaut est ARRÊT. Voir le Tableau 3.

Tableau 3. Réglages d'arrêt par temps chaud et réglages par défaut.

Nom du paramètre	Valeur minimale	Valeur maximale	Défaut
Arrêt par temps chaud	40 °F (ou Arrêt)	70 °F	Arrêt

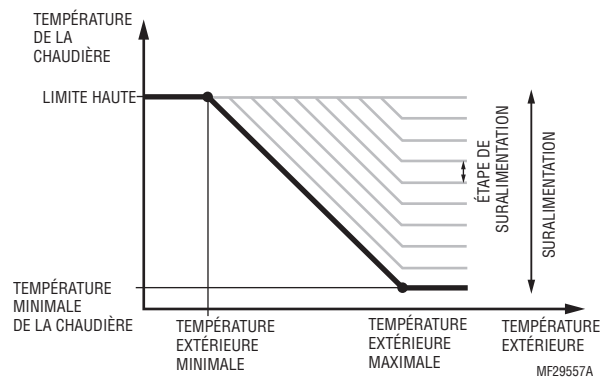


Fig. 5. La courbe de compensation de température extérieure avec suralimentation.

Quand la température atteint le point de consigne d'arrêt par temps chaud (si activé), la chaudière n'effectue plus de cycles et répondra seulement aux demandes d'eau chaude domestique que si la borne ZR Aquastat est configurée pour une telle action. Voir le tableau 4 à la page 6.

Tableau 4. Paramètres de programmation.

Aquastat	
HL_	Limite haute.
Hdf	Différentiel limite haute.
LL**_	Limite basse.
Ldf	Différentiel limite basse.
ELL***	Entrée ZR configurée comme limite basse externe (MARCHE/ARRÊT)
duu	Entrée ZR configurée comme demande d'eau chaude domestique externe (MARCHE/ARRÊT)
ASC	Temporisation de l'anti-court cycle (secondes); « ARRÊT » est désactivé.
otL	Le paramètre de basse température extérieure (minimal) pour la courbe de compensation extérieure (°F ou °C).*
otH	Le paramètre de haute température (maximale) extérieure pour la courbe de compensation extérieure (°F ou °C)*
btL	Le paramètre de basse température (minimale) de la chaudière pour la courbe de compensation extérieure*
bP	Période de suralimentation (minutes). « ARRÊT » s'affiche si le mode de suralimentation est inactif*
bS	Étape de suralimentation (°F ou °C) indiquée seulement si suralimentation est activée (bp=MARCHE)*
UUS	Température d'arrêt par temps chaud (°F ou °C)*
tPL**	Température de limite de purge thermique (°F ou °C), « ARRÊT » si désactivée.
tPt**	Délai de purge thermique (minutes), uniquement affiché si tPL (limite de purge thermique) est activé
PC	Cycle de pompe (marche/arrêt)
F-C	Unités de température (°F ou °C)

*Paramètres disponibles pour le réglage sur l'afficheur à trois chiffres seulement si le « Module de réarmement d'extérieur » est installé.

**Non affiché lorsque branché à un régulateur Aquastat L7248.

***S'affiche seulement lorsque branché à un régulateur Aquastat L7248L.

Tableau 4. Paramètres de programmation.

tPL	Température minimale de purge thermique (paramètre disponible uniquement si la température extérieure est invalide)
tPt	Temps maximal de purge thermique (paramètre disponible uniquement si la température extérieure est invalide)
rSt	Blocage de réarmement
F-C	Unités de température (°F ou °C)

IBC	
HL_	Limite haute.
Hdf	Différentiel limite haute.
Or_	Temps de dépassement de pompe
otL	Le paramètre de température minimale extérieure pour la courbe de compensation extérieure (°F ou °C).
otH	Le paramètre de température maximale extérieure pour la courbe de compensation extérieure (°F ou °C).
btL	Le paramètre de température minimale de la chaudière pour la courbe de compensation extérieure

ALARMES DU MODULE SANS FIL DE RÉARMEMENT D'EXTÉRIEUR ET DÉPANNAGE

Les diagnostics avancés du module sans fil de réarmement d'extérieur W8735ER fournissent des informations signalant la détérioration du rendement de la chaudière ou un fonctionnement non optimal du système. Les erreurs liées au réarmement extérieur peuvent être consultées sur les outils et les affichages de diagnostic. Les erreurs sont également affichées sur l'écran à 3 chiffres de l'Aquastat. Voir le tableau 5 pour les codes d'erreur disponibles liés au réarmement d'extérieur.

Tableau 5. Codes d'erreur liés au réarmement d'extérieur Aquastat.

Code d'erreur	Cause/action	Alarme EnviraCOM
Err 9 ^a	Avertissement : défaillance du module de réarmement d'extérieur; communication perdue vers le module de réarmement d'extérieur, défaillance du module de réarmement d'extérieur, détection de plusieurs capteurs de température extérieure sur le bus, ou défaillance du capteur de température extérieure. Vérifier le câblage EnviraCOM (1,2,3), vérifier le câblage du capteur.	50, 53, 149
Err 10 ^a	Avertissement : défaillance de la suralimentation; mode de suralimentation actif au moins une fois par cycle pour les 60 derniers cycles consécutifs. Vérifier les réglages de la courbe de compensation extérieure.	150
Err 11 ^a	Défaillance du capteur du module d'eau chaude domestique. Avertissement : défaillance du module d'eau chaude domestique; communication perdue vers le module d'eau chaude domestique, défaillance du module d'eau chaude domestique ou défaillance du capteur de température. Vérifier le câblage EnviraCOM (1,2,3), vérifier le câblage du capteur.	146, 147, 148

^a Des avertissements sont générés pour indiquer que le système ne fonctionne pas de manière optimale; l'Aquastat continue néanmoins de fonctionner et de maintenir la température de la chaudière. Dans l'éventualité où un module de réarmement d'extérieur serait utilisé, les avertissements peuvent indiquer une situation d'erreur relative au réglage de la courbe de compensation, un fonctionnement non optimal de plusieurs fonctions, une utilisation des réglages par défaut de l'Aquastat ou une non exécution des algorithmes de réarmement d'extérieur. Les avertissements sont effacés une fois le(les) problème(s) résolu(s).

REMARQUE : Les alarmes Aquastat se réarment automatiquement une fois la condition d'alarme résolue. Les alarmes peuvent aussi être réarmées en mettant l'appareil hors tension puis sous tension si la condition d'alarme n'est plus présente.

Tableau 6. Alarmes de réarmement d'extérieur EnviraCOM et dépannage.

Description de l'alarme	Alarme EnviraCOM	Dépannage
Alarme double température extérieur présente	50	Un seul capteur extérieur (filaire/sans fil) est autorisé. Veiller à ce qu'aucun autre capteur extérieur ne soit connecté.
Alarme de pile faible du capteur de température extérieure	156	Remplacer les piles du capteur
Capteur extérieur manquant/Défaillance	53	Remplacer le capteur.
Capteur extérieur manquant	149	Module non connecté dans les 5 minutes suivant la mise sous tension ou perte de connexion après l'établissement de la liaison. Vérifier les piles.

Information sur la réglementation

Déclaration de conformité à la FCC (partie 15.19) (États-Unis seulement)

Cet appareil est conforme à la Partie 15 des règles de la FCC. Le fonctionnement de ce système est assorti aux deux conditions suivantes :

- 1 L'appareil ne peut causer d'interférences nuisibles, et
- 2 L'appareil doit accepter les interférences reçues, y compris celles qui pourraient nuire à son fonctionnement.

Avis de la FCC (partie 15.21) (États-Unis seulement)

Toute modification qui n'est pas autorisée expressément par la partie responsable de la conformité de l'appareil aux règles en vigueur pourrait rendre l'utilisateur inapte à faire fonctionner le matériel.

Déclaration sur l'interférence selon la FCC (partie 15.105 (b)) (États-Unis seulement)

Ce dispositif a été testé et déclaré conforme aux normes spécifiées dans la partie 15 des règlements de la FCC (Federal Communications Commission) concernant les dispositifs numériques de classe B. Ces limites sont conçues pour offrir une protection raisonnable contre les interférences nocives pouvant survenir lorsque le produit est utilisé dans un environnement résidentiel. Ce dispositif produit, utilise et émet de l'énergie radioélectrique qui peut perturber les communications radio s'il n'est pas installé et utilisé conformément aux instructions du fabricant. Toutefois, rien ne garantit qu'il n'y aura pas d'interférences

dans une installation donnée. Si l'appareil produit des interférences qui nuisent à la réception radio ou télé, ce qu'on peut déterminer en mettant l'appareil en service et hors service, l'utilisateur est invité à corriger la situation de l'une ou l'autre des façons suivantes :

- Réorienter ou déplacer l'antenne de réception.
- Augmenter l'espace qui sépare l'appareil du récepteur.
- Brancher l'appareil à une prise faisant partie d'un circuit différent de celui du récepteur.
- Consulter un détaillant ou technicien radio-télé d'expérience pour obtenir de l'aide.

Adaptateur sans fil

Pour être conformes aux limites d'exposition aux radiofréquences établies par la FCC et Industrie Canada pour le grand public/l'exposition non contrôlée, la ou les antennes employées par le transmetteur doivent être installées sur une structure extérieure permanente à au moins 20 cm de distance de toute personne et ne peuvent être situées au même endroit qu'une autre antenne ou un autre transmetteur ou fonctionner conjointement avec une autre antenne ou un autre transmetteur.

Industrie Canada Alinéa 7.1.5 de CNR-GEN

Le fonctionnement de ce système est assorti aux deux conditions suivantes :

- 1 L'appareil ne peut causer d'interférences nuisibles, et
- 2 L'appareil doit accepter les interférences reçues, y compris celles qui pourraient nuire à son fonctionnement.



Resideo Technologies, Inc.
1985 Douglas Drive North, Golden Valley, MN 55422
1-800-468-1502

www.resideo.com

66-1202EFS-02 M.S. Rev. 06-21 | Imprimé aux États-Unis

resideo



Módulo de reinicio exterior inalámbrico W8735ER

INSTRUCCIONES PARA LA INSTALACIÓN



APLICACIÓN

Cuando el módulo de reinicio exterior inalámbrico W8735ER se conecta al Sensor exterior inalámbrico C7089R1013, trabaja con cualquier Aquastat® habilitado con AquaReset como el Aquastat L7224/48, el Control de caldera integrado S9360/61/80 y el Control SOLA R7910 mediante el bus de 3 cables EnviraCOM™. El módulo de reinicio exterior inalámbrico permite la funcionalidad del control de eficiencia, tal como el reinicio de la temperatura exterior, la función de refuerzo y la función de apagado por clima cálido para generar un promedio de ahorro operativo de hasta 15%.

ESPECIFICACIONES

Clasificación eléctrica: voltaje: 24 V CA, 60 Hz

Parámetros ambientales:

Temperatura: -30 °F a +150 °F (-34 °C a +66 °C).

Humedad: 0% a 95% de humedad relativa, sin condensación.

Accesorios (se pueden pedir por separado):

Sensor de temperatura exterior inalámbrico C7089R1013

CARACTERÍSTICAS

- Protocolo de comunicación inalámbrica RedLink™
- Conexión inalámbrica rápida al sensor exterior
- Permite el reinicio de temperatura exterior de la caldera.
- Permite el apagado en clima cálido.
- Permite la anulación del refuerzo.
- Instalación fácil de 3 cables de bajo voltaje al control de combustión (3 EnviraCOM).
- Habilitado con EnviraCOM™/RedLink.

INSTALACIÓN

Cuando instale este producto...

1. Lea detenidamente estas instrucciones. De no seguir las, se podría dañar el producto o provocar una situación peligrosa.
2. Revise los valores nominales indicados en el producto y en las instrucciones, para asegurarse de que el producto sea adecuado para la aplicación.
3. El instalador debe ser un técnico de servicio capacitado y experimentado.
4. Después de terminar la instalación, compruebe el funcionamiento del producto tal como se indica en estas instrucciones.



PRECAUCIÓN

Peligro de descarga eléctrica.

Puede causar descargas eléctricas o daños al equipo.

Desconecte el suministro eléctrico antes de conectar los cables.

5. El módulo de reinicio exterior puede montarse en pared en cualquier orientación o como lo permita el entorno.
6. Los orificios están diseñados para tornillos N° 6 para lámina de metal (incluidos).
7. No es necesario nivelar de forma precisa este pro-



66-1202EFS-02

CABLEADO

! PRECAUCIÓN

No monte el W8735ER en una superficie metálica ya que eso puede interferir con la recepción.

! PRECAUCIÓN

Riesgo de interferencia eléctrica (ruido). Puede provocar un funcionamiento errático del sistema.

Mantenga el cableado, por lo menos, a un pie (30.5 cm) de distancia de grandes cargas inductivas, como motores, arranques de línea, balastos de iluminación y grandes paneles de distribución de alimentación. Utilice cable blindado para reducir la interferencia cuando no se pueda reencaminar el cableado.

1. Desconecte la electricidad.
2. Monte el módulo de control de temperatura exterior inalámbrico con los accesorios que se suministran.
3. Conecte los terminales 1, 2 y 3 del módulo de reinicio exterior a los terminales 1, 2 y 3 del termostato habilitado con EnviraCOM™ (si está disponible), al Aquastat, al Control de quemador integrado, al SOLA o en cualquier parte del bus donde haya acceso disponible y conveniente al bus EnviraCOM. Consulte la Fig. 1.
4. Conecte la energía eléctrica.
5. Conecte el sensor exterior inalámbrico C7089R al módulo de reinicio exterior inalámbrico. Consulte "Cómo conectar el sensor" en la página 3.

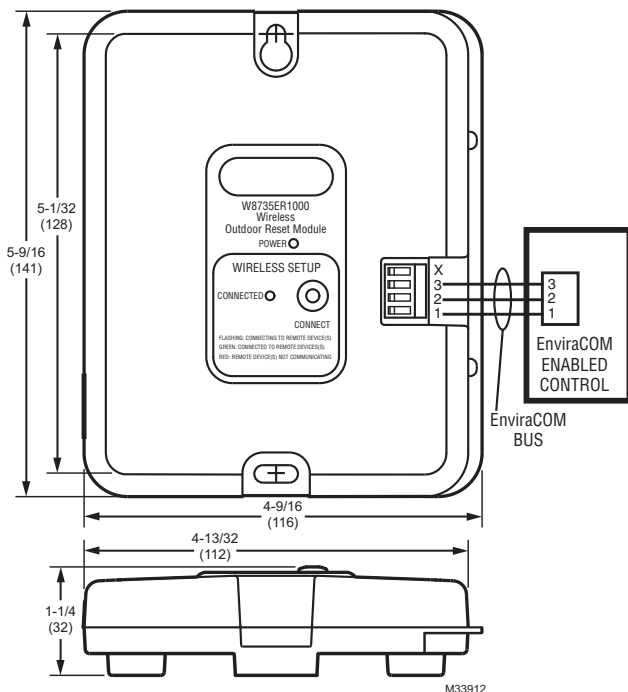


Fig. 1. Diagrama de cableado del módulo de reinicio exterior inalámbrico W8735ER.

INSTALACIÓN DEL C7089R

Montaje del sensor exterior

Antes de instalar el sensor C7089, compruebe que estén colocadas dos baterías AA (preferiblemente de litio). Consulte la Fig. 2.

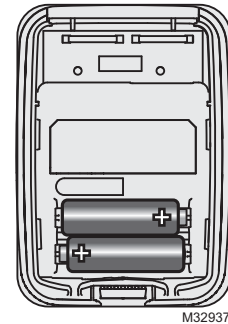


Fig. 2. Instalación de las baterías.

1. Monte el soporte del sensor verticalmente en una pared exterior, a 6 pulgadas (152.4 mm) como mínimo, debajo de cualquier alero. Elija una ubicación donde no haya luz solar directa. Consulte la Fig. 3.

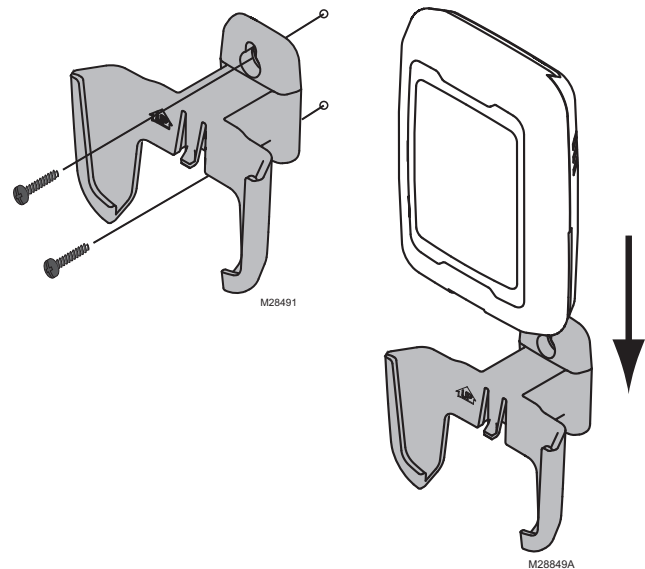


Fig. 3. Montaje del soporte del sensor y del sensor.

2. Monte el soporte del sensor en el lugar elegido.
3. Una vez que el sensor esté unido al W8735ER (consulte CÓMO CONECTAR EL SENSOR), coloque el sensor en el soporte, de frente hacia usted.

Cómo conectar el sensor

El sensor exterior C7089R deberá conectarse al Módulo de reinicio exterior inalámbrico W8735ER para que pueda establecerse la comunicación entre los dos controles.

Cuando el módulo de temperatura exterior inalámbrico W8735ER está alimentado pero no unido a un sensor, el LED POWER (alimentación) estará encendido (verde) y el LED CONNECTED (conectado) estará apagado.

1. Retire la cubierta del C7089R para exponer el botón CONNECT (conectado).
2. Presione el botón CONNECT del W8735ER hasta que el LED CONNECTED destelle en verde (un destello por segundo) después de destellar en rojo durante aproximadamente cinco segundos. Si el sensor no se conecta dentro de los próximos 15 minutos el W8735ER detiene el ciclo y el LED CONNECTED se apaga.
3. Mientras el LED CONNECTED destella en verde en el W8735ER, presione el botón CONNECT en el sensor C7089R.
4. El LED CONNECTED comenzará a destellar rápidamente (4 destellos por minuto).

NOTA: Si los destellos no se aceleran hasta 4 por segundo, el sensor y el W8735ER no se han conectado. Repita el paso 4. Si la conexión no se realiza satisfactoriamente durante un período de 15 minutos, el W8735ER detiene el ciclo. Repita los pasos 2 al 6. Compruebe que el W8735ER y el sensor estén ubicados con una separación de al menos 91 cm durante el proceso de conexión.

5. Una vez que la velocidad de los destellos regrese a un destello por segundo, presione el botón CONNECT del W8735ER para concluir el proceso de conexión.
6. Una vez que el sensor C7089R y el W8735ER se conecten, el LED CONNECTED LED del W8735ER quedará encendido de manera fija (verde).
7. Coloque la cubierta del sensor nuevamente en el sensor y a este en el soporte. Consulte la Fig. 3.

NOTA: Presionar el botón CONNECT en el W8735ER o en el sensor inalámbrico durante 15 segundos o más ocasionará la desconexión del sensor inalámbrico y la desactivación de la función OTC. Para reconectar el sensor al W8735ER siga los pasos 1-7 de esta sección.

NOTAS:

- si el W8735ER está conectado a un sensor pero se pierde la señal del sensor, el LED CONNECTED estará encendido (rojo).
- una vez que el sensor esté conectado al W8735ER y el módulo al bus de comunicación EnviraCOM como se describe en la sección

CABLEADO de este documento, sostenga el sensor donde desea instalarlo y revise si la temperatura exterior se muestra en el control de combustión. Si la temperatura exterior no se muestra, cambie la ubicación del sensor.

- si el W8735ER no se encuentra satisfactoriamente conectado a C7089R dentro del lapso de cinco minutos de activarlo, el W8735ER generará una alarma de sensor faltante. Consulte la Tabla 6 para una lista completa de las alarmas EnviraCOM y la guía de localización y solución de problemas.

FUNCIONAMIENTO

General

El módulo de reinicio exterior inalámbrico es un dispositivo que cuando está conectado a un Aquastat electrónico habilitado con AquaReset, un control de caldera integrado (IBC) o un control SOLA mediante un bus de comunicación EnviraCOM™, mejora las características del control disponible para incluir el reinicio de la temperatura exterior, una función de refuerzo por fases, así como la función de apagado en climas cálidos para brindar una mayor eficiencia de la caldera al suministrar la demanda de calor solicitada. La configuración de la curva de retroceso exterior y de la función de refuerzo se realiza mediante la pantalla de 3 dígitos/3 botones del Aquastat (para más información, consulte las instrucciones para la instalación del L7224 y/o el formulario número 69-1720 ó el 68-0281). Para la configuración del control de caldera integrado (IBC) consulte el formulario número 66-1203 Instrucciones de instalación. Para SOLA la configuración de la curva de reinicio se realiza utilizando la pantalla S7910 o S7999 (para más información consulte los formularios números 65-0315, 66-1175 y 68-0295).

Cómo ajustar las configuraciones del Aquastat o del control de caldera integrado (IBC)

Para evitar cambios no autorizados/involuntarios de las configuraciones del Aquastat o del control de caldera integrado (IBC), es necesario realizar un procedimiento para ingresar al modo ADJUSTMENT (ajuste). Para ingresar al modo ADJUSTMENT (ajuste), presione simultáneamente los botones UP (arriba), DOWN (abajo) e I (Consulte la Fig. 4) durante tres segundos. A continuación, presione el botón I hasta que observe la función que necesita ajustar y, luego, utilice los botones de flecha hacia arriba/abajo para configurar el valor de los parámetros (Consulte la Tabla 4). Después de 60 segundos de no presionar ningún botón, el controlador regresará automáticamente al modo de pantalla normal.

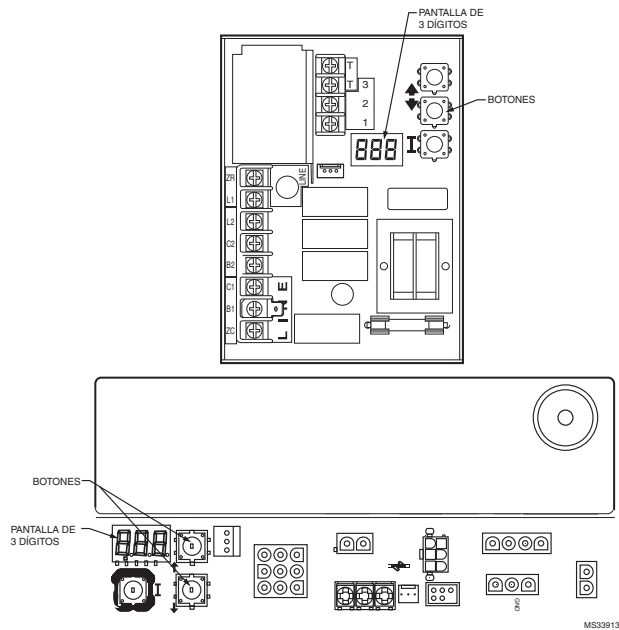


Fig. 4. Ubicación de la pantalla de 3 dígitos y los botones del L7224/L7248 y el S936X.

Reinicio exterior

La función de reinicio exterior ajusta la temperatura especificada de la caldera en un punto por debajo de la configuración de límite máximo local y por encima de la temperatura de condensación de la caldera mediante el bus de comunicación EnviraCOM para ajustar directamente al punto de referencia del Aquastat. Si se detecta una orden de agua caliente doméstica, la temperatura de la caldera debe volver a la configuración de límite máximo para garantizar que haya suministro de agua caliente. Cuando se cumple la orden de agua caliente doméstica, la función de reinicio exterior se activa nuevamente. Consulte la Tabla 1 y la Fig. 5.

Indicadores de configuraciones y aplicación

El concepto de ahorro de energía de la función de reinicio exterior es poder minimizar la energía de la caldera que se pierde durante el ciclo de apagado. Esto se logra al mantener la temperatura de la caldera lo más baja posible o al hacer funcionar la caldera durante períodos más prolongados. Si bien el ahorro de energía es considerable, la caldera es solo una parte del sistema que incluye termostatos, otros controles y radiación. Para maximizar el ahorro y evitar

órdenes de regreso realizadas por propietarios que no se encuentran a gusto, se debe tener precisión al ajustar los parámetros del control. A continuación, se mencionan los indicadores de ajuste y funcionamiento. Consulte la Fig. 5.

Temperatura baja de la caldera: esta es la temperatura mínima a la que la caldera está diseñada para funcionar. Si la configura demasiado baja durante los períodos más cálidos, causará condensación en la caldera y reducirá su vida útil. Por lo general esta configuración es 130 °F (54 °C) para las calderas de gas y 140 °F (60 °C) para las calderas de aceite y está ajustada para mantenerse a la configuración de temperatura exterior alta. Algunas calderas de hierro fundido nuevas están diseñadas para funcionar a temperaturas más bajas. Consulte las especificaciones de los fabricantes.

Temperatura exterior baja: cuando la temperatura exterior descende, la temperatura de la caldera deberá aumentar para proporcionar más calor al espacio. La temperatura exterior baja (temperatura de diseño) es el punto en el cual la caldera debe configurarse como su configuración de límite máximo. Configurar la temperatura de la caldera demasiado baja durante los períodos más fríos ocasionará la incapacidad de Esta configuración es crucial para evitar órdenes de regreso.

Temperatura exterior alta: esta es la temperatura exterior a la cual se configura la temperatura de la caldera. Este es el parámetro que más influye en el ahorro de energía. Configurar la temperatura alta exterior demasiado alta trae como resultado menor ahorro de energía ya que la caldera puede funcionar a una temperatura más alta de lo necesario durante la temporada de clima más cálido para conservar el confort en el espacio. Configurar este parámetro demasiado bajo, provocará un rango muy limitado para que el control ajuste la temperatura de la caldera. En la mayoría de los casos, la temperatura predeterminada ideal es de 40 °F (4.4 °C).

NOTA: en muchos casos, no será necesario ajustar estos parámetros, ya que los valores predeterminados están diseñados para la región del Atlántico medio y el sur de Nueva Inglaterra.



PRECAUCIÓN

Posible daño al equipo

Cuando habilite la función de reinicio exterior, consulte las instrucciones del fabricante del equipo original de la caldera para ajustar la configuración de agua de retorno más baja y así evitar la condensación en el intercambiador de calor, lo que podría ocasionar daños al equipo.

Tabla 1. Configuraciones y valores predeterminados de la curva de reinicio exterior.¹

Aquastat			
Parámetro	Valor mínimo	Valor máximo	Valor predeterminado
Límite máximo	130 °F (54 °C)	240 °F (116 °C)	180 °F (82 °C)
Temperatura exterior mínima	-40 °F (-40 °C)	40 °F (4.4 °C)	0 °F (-18 °C)
Temperatura mínima de la caldera	80 °F (27 °C)	180 °F (82 °C)	130 °F (54 °C)
Temperatura exterior máxima	30 °F (-1 °C)	70 °F (21 °C)	40 °F (4.4 °C)

Control de caldera integrado (IBC)			
Parámetro	Valor mínimo	Valor máximo	Valor predeterminado
Límite máximo	130 °F (54 °C)	220 °F (104 °C)	180 °F (82 °C)
Temperatura exterior mínima	-40 °F (-40 °C)	40 °F (4.4 °C)	0 °F (-18 °C)
Temperatura mínima de la caldera	130 °F (54 °C)	150 °F (56 °C)	140 °F (60 °C)
Temperatura exterior máxima	40 °F (12.7 °C)	70 °F (21 °C)	40 °F (12.7 °C)

¹ Las configuraciones de valores mínimos, valores máximos y máximo predeterminado que se muestran son para el L7224U y para el control de caldera integrado (IBC) S9361. Los valores pueden cambiar para otros Aquastats y el control de caldera integrado (IBC). Para obtener más información acerca de las configuraciones predeterminadas, consulte el manual de instrucciones para la instalación del Aquastat y/o del control de caldera integrado (IBC) específico.

Refuerzo

Si el orden de calefacción no se cumple dentro de un período específico mientras la caldera se encuentra en el modo de retroceso (siguiendo la curva de reinicio exterior), se activa un período de refuerzo en el que el punto de referencia de la caldera aumenta mediante un valor llamado fase de refuerzo. Cada vez que transcurra el período de refuerzo y el orden de calefacción no se cumpla, el punto de referencia de la caldera aumenta nuevamente mediante la fase de refuerzo, hasta la configuración máxima establecida por la configuración de límite máximo (ver la Tabla 2 y la Fig. 5). El refuerzo se reinicia cuando el orden de calefacción se cumple (el orden local o remoto de calefacción finalizó). El refuerzo no se reinicia simplemente por alcanzar el punto de referencia de la caldera. La presencia de continuos órdenes de refuerzo puede indicar que la curva de reinicio exterior está mal configurada para el entorno, o bien, que el equipo está

dañado. Para el Aquastat, se mostrará una advertencia del refuerzo en la pantalla de 3 dígitos del Aquastat si se solicita el refuerzo en 60 ciclos consecutivos. Consulte la Tabla 5.

Para el Aquastat, el período de refuerzo puede configurarse desde APAGADO hasta un rango de 5 a 30 minutos, ajustable en incrementos de 1 minuto. La configuración predeterminada es de 10 minutos. La fase de refuerzo puede configurarse desde Apagado hasta un rango de entre 5 °F (-15 °C) y 20 °F (-6.7 °C).

Para el control de caldera integrado (IBC), el período de refuerzo está fijado en 30 minutos y la fase de refuerzo está fijada en 5 °F (-15 °C). Consulte la tabla 2.

Tabla 2. Configuraciones y valores predeterminados del refuerzo.

Aquastat			
Nombre del parámetro	Valor mínimo	Valor máximo	Valor predeterminado
Período de refuerzo	5 minutos (o apagado)	30 minutos	10 minutos
Fase de refuerzo	5 °F (o apagado)	20 °F	10 °F

Control de caldera integrado (IBC)	
Nombre del parámetro	Valor ¹
Período de refuerzo	30 minutos
Fase de refuerzo	5 °F (o apagado)

¹ Para el control de caldera integrado (IBC), tanto el período de refuerzo como la fase de refuerzo son parámetros fijos y no pueden ajustarse.

Apagado en climas cálidos - Aquastat

La función de apagado en climas cálidos hace que una caldera con "arranque en caliente" se apague cuando la temperatura exterior supere un valor determinado. Las calderas con arranque en caliente mantienen una temperatura mínima según la configuración de límite mínimo del Aquastat. Si esta función está activada, la configuración de límite mínimo se cancelará cuando la temperatura exterior supere un valor determinado.



PRECAUCIÓN

Configuraciones del panel de zona

Para aplicaciones con paneles de zonas que tienen una zona de prioridad para el agua caliente doméstica: desactive la función de apagado en climas cálidos del Aquastat.

La función de apagado en climas cálidos puede configurarse desde APAGADO hasta un rango de entre 40 °F (4.4 °C) y 70 °F (21.1 °C), ajustable en incrementos de 10 grados. La configuración predeterminada es APAGADO. Consulte la Tabla 3.

Tabla 3. Configuraciones y valores predeterminados del apagado en climas cálidos.

Nombre del parámetro	Valor mínimo	Valor máximo	Valor predeterminado
Apagado en climas cálidos	40 °F (o apagado)	70 °F	Off (apagado)

Cuando la temperatura exterior alcanza el punto de referencia de apagado en climas cálidos (si está activado), la caldera no funcionará en ciclos; únicamente suministrará la demanda de agua caliente doméstica (DHW) si el terminal Zr del Aquastat está configurado para petición de agua caliente doméstica. Consulte la Tabla 4 en la página 7.

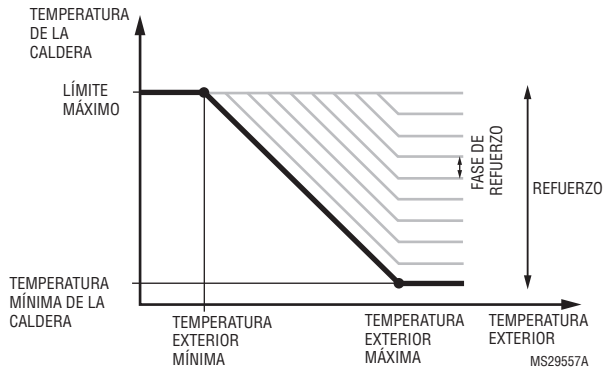


Fig. 5. Curva de retroceso de la temperatura exterior con refuerzo.

Tabla 4. Parámetros de la programación.

Aquastat	
HL_	Límite máximo.
Hdf	Diferencial del límite máximo.
LL**_	Límite mínimo.
Ldf	Diferencial del límite mínimo.
ELL***	Entrada de petición de zona (ZR) configurada como límite mínimo exterior (ON [encendido]/OFF [apagado])
duu	Entrada de petición de zona (ZR) configurada como demanda de agua caliente doméstica (DHW) (ON [encendido]/OFF[apagado])
ASC	Interrupción del ciclo anticorto (segundos); "OFF" (apagado) está desactivado.
otL	Parámetro de temperatura exterior baja (mínima) para la curva de reinicio exterior (°F o °C)*
otH	Parámetro de temperatura exterior alta (máxima) para la curva de reinicio exterior (°F o °C)*
btL	Parámetro de temperatura baja (mínima) de la caldera para la curva de reinicio exterior*
bP	Período de refuerzo (minutos). "OFF" (apagado) se muestra si el refuerzo está inactivo*
bS	Fase de refuerzo (°F o °C) que se muestra únicamente si el refuerzo está activo (bP=ON [encendido])*
UUS	Temperatura de apagado en climas cálidos (°F o °C)*
tPL**	Temperatura límite de purga térmica (°F o °C), "OFF" (apagado) si está deshabilitado
tPt**	Retardo de tiempo para purga térmica (minutos), mostrado solo si tPL está habilitado
PC	Ciclo de encendido/apagado (ON/OFF) de la bomba
F-C	Unidades de temperatura (°F o °C)

*Configuraciones disponibles para el ajuste en la pantalla de tres dígitos del Aquastat únicamente si se instala el "módulo de reinicio exterior".

**No se mostrará si está conectado a un control Aquastat L7248.

***Solo se mostrará si está conectado a un control Aquastat L7248L.

Control de caldera integrado (IBC)	
HL_	Límite máximo.
Hdf	Diferencial del límite máximo.
Or_	Tiempo de funcionamiento excesivo de la bomba
otL	Parámetro de temperatura exterior baja (mínima) para la curva de reinicio exterior (°F o °C)
otH	Parámetro de temperatura exterior alta (máxima) para la curva de reinicio exterior (°F o °C)
btL	Parámetro de temperatura baja (mínima) de la caldera para la curva de reinicio exterior
tPL	Temperatura mínima de purga térmica (el parámetro está disponible únicamente si la temperatura exterior no es válida)
tPt	Tiempo máximo de purga térmica (el parámetro está disponible únicamente si la temperatura exterior no es válida)
rSt	Bloqueo de reinicio
F-C	Unidades de temperatura (°F o °C)

ALARMAS DEL MÓDULO DE REINICIO EXTERIOR INALÁMBRICO Y LOCALIZACIÓN Y SOLUCIÓN DE PROBLEMAS

El diagnóstico mejorado del módulo de reinicio exterior inalámbrico W8735ER proporciona información alertando sobre el deterioro de la eficiencia de la caldera o si el sistema no está funcionando de forma óptima. Los errores relacionados con el reinicio exterior pueden mostrarse en las herramientas de diagnóstico y en las pantallas. Los errores también se muestran en la pantalla de 3 dígitos del Aquastat. Consulte la tabla 5 para ver los códigos de error relacionados con el reinicio exterior.

Tabla 5. Códigos de error relacionados con el reinicio exterior del Aquastat.

Código de error	Causa/acción	Alarma EnviraCOM
Err 9 ^a	Advertencia: falla en el sistema de reinicio exterior; se perdió la comunicación con el módulo de reinicio exterior, falla en el módulo de reinicio exterior, se detectaron múltiples sensores de temperatura exterior en el bus, o bien, hay una falla en el sensor de temperatura exterior. Verifique el cableado EnviraCOM (1, 2, 3), verifique el cableado del sensor.	50, 53, 149
Err 10 ^a	Advertencia: falla del refuerzo; el modo de refuerzo estuvo activo, al menos, una vez por ciclo durante los últimos 60 ciclos consecutivos. Verifique las configuraciones de la curva de reinicio exterior.	150
Err 11 ^a	Falla en el sensor del módulo de DHW. Advertencia: falla en el sistema de DHW; se perdió la comunicación con el módulo de DHW, hay falla en el módulo de DHW, o bien, hay una falla en el sensor de temperatura. Verifique el cableado EnviraCOM (1, 2, 3), verifique el cableado del sensor.	146, 147, 148

^a Se emitirán advertencias para informar que el sistema no está funcionando de forma óptima, pero el Aquastat continúa funcionando y mantiene la temperatura de la caldera. Si se utiliza un módulo de reinicio exterior, las advertencias pueden indicar un error en la configuración de la curva de reinicio; una o más funciones no están funcionando de forma óptima y el Aquastat regresa a las configuraciones predeterminadas o detiene los algoritmos de reinicio exterior. Las advertencias desaparecen cuando se resuelven el o los problemas.

NOTA: las alarmas del Aquastat se reinician automáticamente una vez que la condición que provocó la alarma se haya resuelto. Las alarmas también pueden reiniciarse al apagarse y encenderse si la condición que provocó la alarma no continúa presente.

Tabla 6. Alarmas de reinicio exterior EnviraCOM y localización y solución de problemas

Descripción de la alarma	Alarma EnviraCOM	Localización y solución de problemas
Alarma de temperatura exterior duplicada presente	50	Solo se permite un sensor exterior (cableado/inalámbrico). Verifique que ningún otro sensor exterior esté conectado.
Alerta de batería baja en el sensor de temperatura exterior	156	Cambie las baterías del sensor
Sensor exterior faltante/falla	53	Falla del sensor exterior. Cambie el sensor.
Sensor de temp. externo faltante	149	Módulo no conectado en el lapso de 5 minutos de encendido o perdido una vez inscrito. Revise las baterías.

Información reguladora

Declaración de conformidad con las regulaciones FCC (Sección 15.19) (solo en los EE. UU.)

Este dispositivo cumple con la Sección 15 de las regulaciones FCC. El funcionamiento está sujeto a las dos condiciones siguientes:

- 1 Este dispositivo no debe causar interferencia perjudicial.
- 2 Este dispositivo deberá aceptar cualquier interferencia que se reciba, incluso la interferencia que pudiese causar el funcionamiento no deseado.

Advertencia de la FCC (Sección 15.21) (solo en los EE. UU.)

Los cambios o las modificaciones que no hayan sido expresamente aprobados por la parte responsable del cumplimiento de las regulaciones podrían anular la autoridad del usuario para hacer funcionar el equipo.

Declaración de la FCC sobre interferencias (Sección 15.105(b)) (solo en los EE. UU.)

Este equipo fue probado y cumple con los límites de los dispositivos digitales clase B, conforme a la Sección 15 de las regulaciones FCC. Estos límites están diseñados para ofrecer una protección razonable contra la interferencia perjudicial en una instalación residencial. Este equipo genera usos y puede irradiar energía de frecuencia de radio y, si no se instala y utiliza según las instrucciones, puede producir interferencia perjudicial en la comunicación radial. Sin embargo, no se garantiza que no habrá interferencia en una

instalación particular. Si este equipo produce interferencia perjudicial en la recepción televisiva o radial, lo cual puede determinarse al apagar y encender el equipo, se recomienda que el usuario intente corregir la interferencia con una o más de las siguientes medidas:

- Vuelva a orientar y ubicar la antena receptora.
- Aumente la distancia entre el equipo y el receptor.
- Conecte el equipo a un tomacorriente en un circuito diferente a aquel en el que está conectado el receptor.
- Consulte con su distribuidor o un técnico experto en radio/televisión para recibir ayuda.

Adaptador inalámbrico

Para cumplir con los límites de exposición RF que establece la FCC y el Industry Canada para la población en general/ exposición no controlada, la o las antenas usadas para estos transmisores deben instalarse a una distancia de, al menos, 20 cm de todas las personas, y no deben ubicarse ni utilizarse junto con otra antena o transmisor.

Sección 7.1.5 de RSS-GEN

El funcionamiento está sujeto a las dos condiciones siguientes:

- 1 Este dispositivo no debe causar interferencia.
- 2 Este dispositivo deberá aceptar cualquier interferencia, incluso la interferencia que pudiese causar el funcionamiento no deseado del dispositivo.



Resideo Technologies, Inc.
1985 Douglas Drive North, Golden Valley, MN 55422
1-800-468-1502
66-1202EFS-02 M.S. Rev. 06-21 | Impreso en EE. UU.

www.resideo.com