



1000 Series Diverting Valve

V8044 LOW VOLTAGE

SUBMITTAL SHEET

APPLICATION

Use this valve in closed loop hydronic systems that do not contain dissolved oxygen in system water, such as fresh water from frequent source of makeup water. Valve designed for cycling (not constantly powered on) applications.

SPECIFICATIONS

Use: Hydronic Control

Type: 2 Position

Body Pattern: 3-Way, Diverting

Voltage: 24 Vac

Power Consumption: 7.7 VA

Frequency: 60 Hz; 50 Hz

De-energized Position: Port A Normally Closed

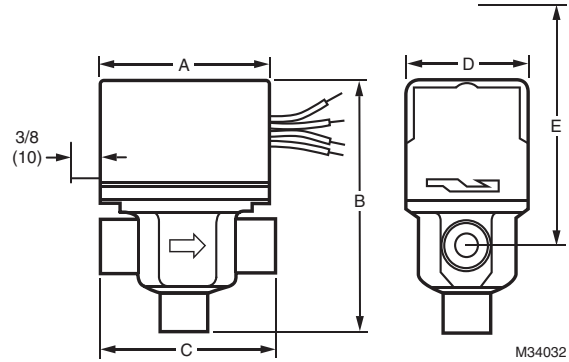
Maximum Ambient Temperature: 125 F (52 C)

Fluid Temperature Range: 40 F to 200 F (5 C to 93 C)

Nominal Timing: 30 sec

Static Pressure: 125 Psi (862 kPa)

Warranty: 1 year limited warranty



Dimensions

Product Number	Pipe Size	Type	Dimensions				
			A	B	C	D	E
V8044A1002	1/2"	Flare	3 1/2"	5 3/8"	4 11/16"	2 3/8"	5 1/4"
V8044A1010	1/2"	Sweat	3 1/2"	4 5/8"	3 1/8"	2 3/8"	5 1/4"
V8044A1044	3/4"	Sweat	3 1/2"	4 13/16"	3 1/2"	2 3/8"	5 1/4"
V8044A1051	1/2"	Sweat	3 1/2"	4 5/8"	3 1/2"	2 3/8"	5 1/4"
V8044A1135	1/2"	NPT	3 1/2"	4 7/8"	3 23/32"	2 3/8"	5 1/4"
V8044A1143	3/4"	NPT	3 1/2"	4 7/8"	3 23/32"	2 3/8"	5 1/4"
V8044B1018	1/2"	Sweat	3 1/2"	4 5/8"	3 1/8"	2 3/8"	5 1/4"
V8044E1003	1/2"	Sweat	3 1/2"	4 5/8"	3 1/8"	2 3/8"	5 1/4"
V8044E1011	3/4"	Sweat	3 1/2"	4 13/16"	3 1/2"	2 3/8"	5 1/4"

Valve Materials

Body	Brass
Stem	Stainless Steel
Seat	Brass
Packing O-Ring	EPDM Rubber
Ball Plug	Buna-N (NBR) Rubber Ball

Actuator Materials

Case	Brass
Cover	Stainless Steel
Sector Gears	Brass

Maximum Close-Off Pressure & Capacity

Product number	Max Pressure		Capacity	
	Psi	kPa	Cv	Kv
V8044A1002	20	138	4	3.4
V8044A1010	20	138	4	3.4
V8044A1044	10	69	7	6
V8044A1051	20	138	4	3.4
V8044A1135	20	138	4	3.4
V8044A1143	20	138	4	3.4
V8044B1018	20	138	4	3.4
V8044E1003	20	138	4	3.4
V8044E1011	10	69	7	6

Job Name _____
 Engineer _____
 Mechanical Contractor _____
 Contractor's P.O. No. _____
 Representative _____
 Notes _____

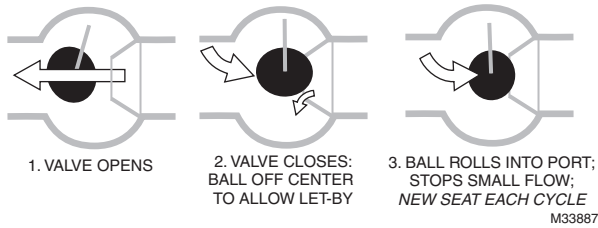
Model(s) _____
 _____ Qty. _____ Notes _____
 _____ Qty. _____ Notes _____
 _____ Qty. _____ Notes _____
 Approval _____
 Service _____
 Tag No. _____



68-3101-02

BALL VALVE

The V8044 Zone Valves use a NBR rubber ball instead of a flange to create a seal. Using a ball versus the traditional flange provides a new sealing surface each time the valve operates, producing a quality seal and significantly increasing service life.



ADDITIONAL SPECIFICATIONS

Changeover Aquastat® Control: 120V, 3.0 A with 10.0 A inrush.

End Switch: 120 V, 4.4 A running with 26.4 A inrush (60Hz). Pilot duty 50 VA at 24 V.

Humidity Rating: 5-95% RH (non-condensing).

Atmosphere: non-corrosive, non-explosive.

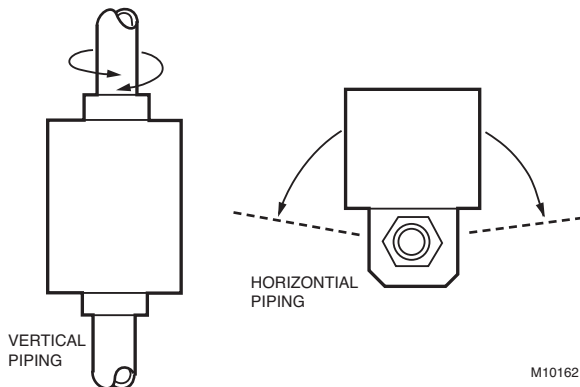
Timing:
V8044: Divert flow in 30 seconds maximum.

Manual Opener: Manual opener (on all except the straight-through, normally open valves) allows opening the valve in case of power failure. Valve returns to automatic position when power is restored.

Approvals:
Underwriters Laboratories Inc. UL Component Listed: File MH11826 Vol. 1

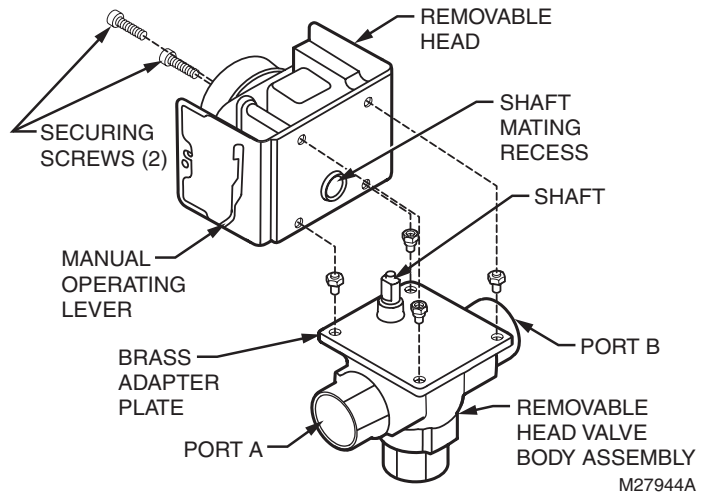
MOUNTING

The valve can be mounted in any position on a vertical line. See the figure below. If the valve is mounted horizontally, the powerhead must be even with or above the center line of the piping. Make sure to leave enough room above the powerhead to remove the cover for servicing.



POWERHEAD REMOVAL

Converting the V8044 valve body for use with a new powerhead does not require removal of the valve body from the pipeline.



For Install instructions refer to literature number 95C-10442EF on Page 1.

V8044 Zone Valve Models

Connection Type	OS Number	Pipe Size		End Switch	Manual Opener	Electrical Connection
		Inch	DN			
Sweat	V8044A1010	1/2"	DN15	No	Yes	18 in. leads (457 mm leads)
	V8044A1044	3/4"	DN20	No	Yes	18 in. leads (457 mm leads)
	V8044A1051	1/2"	DN15	No	Yes	18 in. leads (457 mm leads)
	V8044B1018	1/2"	DN15	No	Yes	18 in. leads (457 mm leads)
	V8044E1003	1/2"	DN15	Yes	Yes	18 in. leads (457 mm leads)
	V8044E1011	3/4"	DN20	Yes	Yes	18 in. leads (457 mm leads)
Flare	V8044A1002	1/2"	DN15	No	Yes	18 in. leads (457 mm leads)
NPT	V8044A1135	1/2"	DN15	No	Yes	18 in. leads (457 mm leads)
	V8044A1143	3/4"	DN20	No	Yes	18 in. leads (457 mm leads)