

Notification Appliances

SL2 Weatherproof Series

Multi-Tone Horn | Strobe

Applications : Indoor / Outdoor, Ceiling and Wall

Architect & Engineer Specifications

- ❑ Weatherproof notification appliances that meet fire-industry codes and regulations for Indoor and Outdoor use
- ❑ Compatible with Siemens fire alarm control panels (FACPs), Siemens dual-sync control (DSC) modules and Siemens Power Supplies (PAD-3/-4/-5)
- ❑ Wall or Ceiling mount applications
- ❑ Easy Installation with pre-wire capable Back Box or a Mounting Plate
- ❑ NEMA 3R and 4X Rated Devices
- ❑ High(HI) or Standard(STD) Sound Outputs
- ❑ Eight (8) Selectable Alarm Tones
- ❑ Six (6) field-selectable Candela settings:
 - 15cd | 30cd | 75cd | 110cd | 150cd | 185cd
 - 15cd | 30cd | 75cd | 95cd | 150cd | 177cd
- ❑ UL (1971 | 1638 | 464) Listed
- ❑ ULC (525 | 526) Listed
- ❑ RoHS compliant.

Product Overview

Siemens is now offering the SL2-series weatherproof appliances in the notification product portfolio. These NEMA 3R and 4X rated multi-tone horn and strobe devices are designed for both indoor and outdoor applications and are operational at a temperature range of -40° C to 66° C (-40° F to 150° F).

Ideal for mass notification and emergency evacuation, the multi-tone notification appliances can be field-set to produce any one (1) of eight (8) standard fire alarm-signaling tones. Sound outputs can be adjusted to either 'High' (HI) dBA or 'Standard' (STD) dBA via selectable volume settings.

These multi-tone devices are operational with regulated 24DC (16-33VDC) and regulated 24FWR (16-33VRMS) voltage input.

The multi-tone strobes have six (6) field-selectable candela settings:

- 15cd | 30cd | 75cd | 110cd | 150cd | 185cd (Clear Lens)
- 15cd | 30cd | 75cd | 95cd | 150cd | 177cd (Amber Lens)

The multi-tone strobe appliances operate as a synchronized strobe appliance when used in conjunction with an FACP following the Siemens sync protocol or when used with a sync module (DSC) or with Siemens power supplies (PAD-3/-4/-5).

The multi-tone strobe is UL1971 listed for Fire Protection Service for signaling devices for the Hearing Impaired | UL1638 listed for visual signaling devices | UL 464 listed for audible signaling devices. It is also ULC526 Listed for Visual signaling devices and ULC525 listed for audible signaling devices for fire alarm systems. The multi-tone horn is UL464 listed as a public mode Audible signal appliance for fire protection and ULC525 listed as an audible signaling device for fire alarm and signaling systems.

The multi-tone strobes meet the 20-millisecond light-pulse-duration code requirements of NFPA 72 (2016 edition).

These multi-tone appliances are apt for wall or ceiling mount applications and can be easily installed with a pre-wire capable back box (SL24XBB) or a mounting plate (SL23R). All NEMA 3R devices are flush mounted and have an IP54 rating (they come with the required mounting plate). The 4X devices must be surface mounted (utilizing a surface mount box which is included with each 4X device) and are IP66 rated.



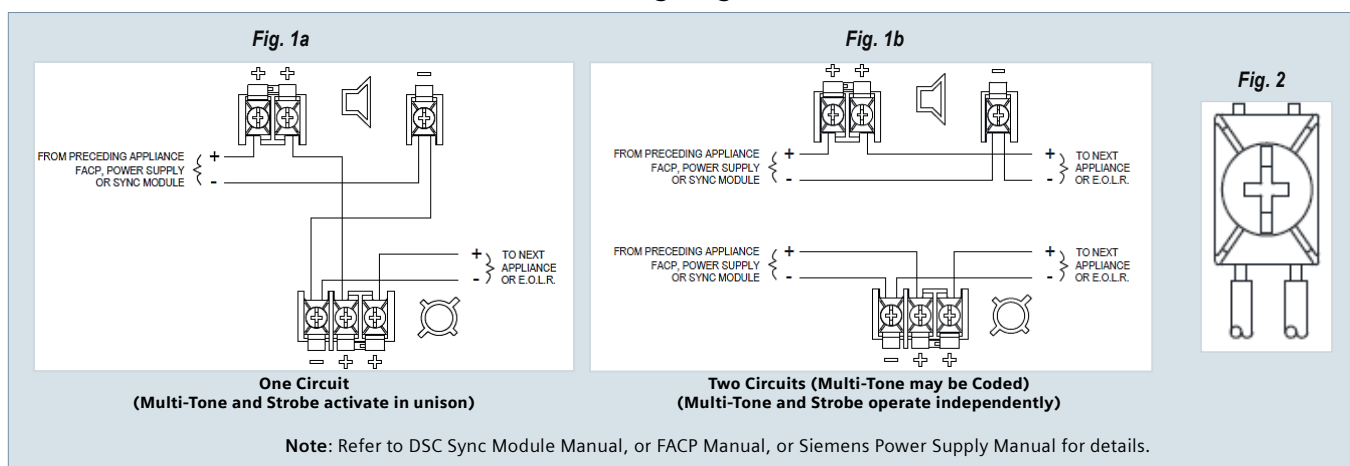
Multi-Tone Horn



Multi-Tone Strobe with Amber Lens



Wiring Diagrams



Specifications

The SL2 weatherproof notification appliances are designed for use with either filtered or unfiltered Full-Wave-Rectified (FWR) input voltage. The multi-tone horns are operational with 8 – 17.5V DC/RMS or 16 – 33V DC/RMS input voltage. The multi-tone strobes are operational with regulated 24V DC/FWR (16-33) input voltage. All inputs are polarized for compatibility with supervised 'reverse polarity' circuit in a Fire Alarm Control Panel (FACP).

The multi-tone horns can be field-set to either 'HIGH' (HI) dBA or 'STANDARD' (STD) dBA level for sound outputs. The horns have eight (8) selectable tone settings: Horn | Bell | March time | Code 3 Horn | Code 3 Tone | Slow Whoop | Siren | HI/LO

The strobe appliances meet the 20-millisecond light-pulse-duration code requirements of NFPA 72 (2016 edition).

All SL2-series strobe appliances feature field-selectable multi candela settings:

- 15cd | 30cd | 75cd | 110cd | 150cd | 185cd (Models SL24XMTS, SL23RMTS) (CLEAR LENS)
- 15cd | 30cd | 75cd | 95cd | 150cd | 177cd (Models SL24XMTS-A, SL23RMTS-A) (AMBER LENS)

Note: The 'AMBER' strobe is certified as an Emergency Warning Visual Signal.

The strobes are also available with Blue, Green, or Red Lens options. These colored lens strobes are solely used for visual 'Private Mode' alarm notification. The field selectable candela settings for these strobes are as follows:

- 15cd | 30cd | 75cd | 95cd | 135cd | 150cd (Models: SL24XMTS-B, SL23RMTS-B)
- 15cd | 30cd | 60cd | 75cd | 115cd | 125cd (Models: SL24XMTS-G, SL23RMTS-G)
- 10cd | 20cd | 40cd | 50cd | 75cd | 80cd (Models: SL24XMTS-R, SL23RMTS-R)

(Refer to Installation Instruction P85831-004A for additional information on the blue, green and red strobe appliances.)

All models are UL/ULC listed as compatible with Siemens Fire Alarm Control Panels (FACP) and accessories that have been determined to be compatible with Siemens strobe sync protocol including the ST, SE, SEH, SET, S-HQ, STH, AS, CH, HS, and MTH series models.

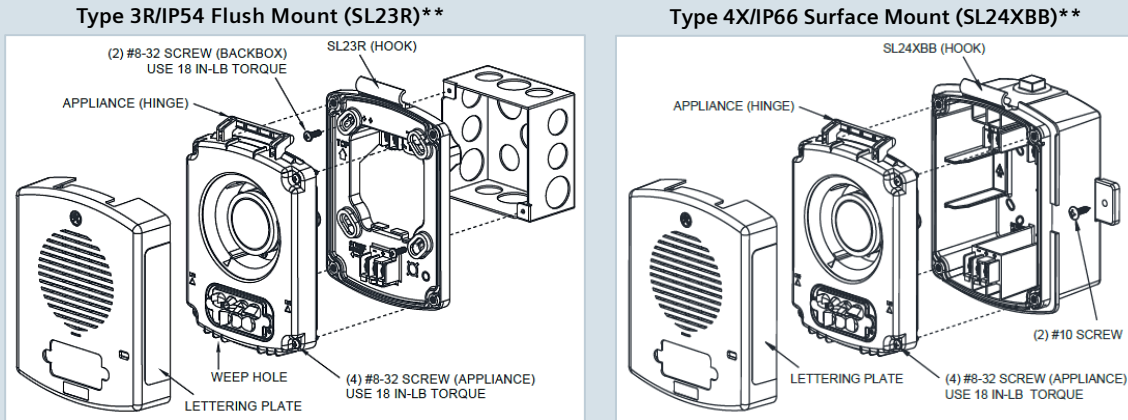
The multi-candela strobe can operate as a synchronized strobe appliance when used in conjunction with an FACP following the Siemens sync protocol or when used with a sync module (DSC) or with Siemens power supplies (PAD-3/-4/-5).

These appliances can be easily installed with a pre-wire capable back box (SL24XBB) or a mounting plate (SL23R). All inputs employ IN / OUT wiring terminals using #12 to #18 AWG wiring.

The SL2-series multi-tone appliances are UL / ULC listed for both indoor and outdoor operations. They operate at a temperature range of -40° C to 66° C (-40° F to 150° F) with a maximum relative humidity of 95%.

The multi-tone strobe is UL1638 /1971 and ULC526 listed. The multi-tone horn is UL464 and ULC525 listed. These appliances are RoHS compliant.

Mounting Options



** The flush mount plate comes with each 3R device and the surface mount back-box is included with each 4X device. These mounting plates and back boxes cannot be ordered separately. Please refer to installation instruction - P85820-001A - for back-box & mounting plate details.

Electrical Ratings

Output Current Draw | Multi-tone Strobe

Current Ratings (in Amps)**						
Models: SL24XMTS SL23RMTS	Candela Settings					
	15cd	30cd	75cd	110cd	150cd	185cd
DC	0.026	0.038	0.070	0.097	0.179	0.206
FWR	0.034	0.053	0.098	0.137	0.235	0.308
Models: SL24XMTS-A SL23RMTS-A	Candela Settings					
	15cd	30cd	75cd	95cd	150cd	177cd
DC	0.026	0.038	0.070	0.097	0.179	0.206
FWR	0.034	0.053	0.098	0.137	0.235	0.308

** Setting will determine the current draw of the product

Output Ratings | Multi-tone Horn

Sound Pressure Level Ratings (dBA) Reverberant per UL464 / ULC525 @ 10 feet			
Tone	Volume Settings	24V	12V
Horn	HI	88	88
	STD	83	74
Bell	HI	81	81
	STD	75	65
March Time Horn	HI	88	88
	STD	83	74
Code 3 Horn	HI	88	88
	STD	83	74
Code 3 Tone	HI	81	82
	STD	76	67
Slow Whoop	HI	87	87
	STD	81	71
Siren	HI	87	87
	STD	81	71
HI/LO	HI	84	84
	STD	79	68

Output Current Draw | Multi-tone Horn

Tone	Volume Settings	Current Ratings (Amps) RMS Current @ 24VDC			
		16.0V – 33.0V		8.0V - 17.5V	
		DC	FWR	DC	FWR
Horn	HI	0.108	0.087	0.177	0.172
	STD	0.044	0.045	0.034	0.039
Bell	HI	0.053	0.067	0.095	0.095
	STD	0.024	0.028	0.020	0.023
March Time Horn	HI	0.104	0.087	0.142	0.156
	STD	0.087	0.045	0.034	0.041
Code 3 Horn	HI	0.122	0.087	0.200	0.183
	STD	0.035	0.045	0.034	0.039
Code 3 Tone	HI	0.135	0.110	0.152	0.150
	STD	0.035	0.032	0.027	0.030
Slow Whoop	HI	0.098	0.092	0.142	0.142
	STD	0.037	0.042	0.035	0.038
Siren	HI	0.104	0.092	0.152	0.152
	STD	0.042	0.040	0.030	0.034
HI/LO	HI	0.057	0.063	0.114	0.114
	STD	0.035	0.035	0.027	0.030

GENERAL NOTES:

1. Strobes are designed to flash at 1-flash-per-second minimum over their "Regulated Voltage Range."
2. NFPA-72 specifies a flash rate of 1-to-2 flashes-per-second.
3. All candela ratings represent minimum effective Strobe intensity based on UL 1971.

General Properties

SL2 Weatherproof Multi-tone Horn / Strobe	
OPERATING TEMPERATURE:	-40° C to 66° C (-40° F to 150° F) - Indoor and Outdoor Use
RELATIVE HUMIDITY:	95%
OPERATING VOLTAGE RANGE:	<ul style="list-style-type: none"> 24 VDC / VFWR - 16.0V – 33.0V (multi-tone strobe) 8.0 – 17.5 VDC/VRMS or 16.0 – 33.0 VDC/VRMS (multi-tone horn)
HORN SETTINGS:	<ul style="list-style-type: none"> Volume: STD (standard) or HI (high) Tone: Eight (8) field-selectable alarm tones
STROBE OUTPUT RATING:	Field-selectable candela outputs: <ul style="list-style-type: none"> Clear Lens strobe: 15cd 30cd 75cd 110cd 150cd 185cd Amber Lens strobe: 15cd 30cd 75cd 95cd 150cd 177cd
STROBE FLASH RATE:	Strobes are designed to flash at one-flash-per-second
STROBE SYNCHRONIZATION:	Compatible with Siemens fire alarm control panels (FACPs), Siemens dual-sync control (DSC) module, Siemens Power Supplies (Pad-3/-4/-5)

Physical Properties

SL2 Weatherproof Multi-tone Horn / Strobe	
MATERIAL:	Red or white textured UV stabilized, colored engineered plastic.
LENS:	Light Emitting Diode (LED) in a rugged Lexan lens
WEIGHT:	MT Strobe: 1.87 lbs. (4X devices) / 1.29 lbs. (3R devices) MT Horn: 1.29 lbs. (4X / 3R devices)
DIMENSIONS:	7.75" L x 5.75" W x 3" H (all devices)

Mounting and Wiring Properties

SL2 Weatherproof Multi-tone Horn / Strobe	
INDOOR MOUNTING:	<ul style="list-style-type: none"> Wall & Ceiling-mount applications SL24XBB Surface Box and SL23R Mounting Plate
WIRING TYPE:	#12 – #18, American Wire Gauge (AWG)

Voltage and Sound Settings | Multi-tone Horn

Input Voltage	Sound Output Level	24/12 Jumper Plug / Switch SW1 Settings
24 VDC	HI	Jumper 24 / SW1 POS 1 on 1*
	STD	Jumper 24 / SW1 POS 1 on 0
12 VDC	HI	Jumper 12 / SW1 POS 1 on 1
	STD	Jumper 12 / SW1 POS 1 on 0

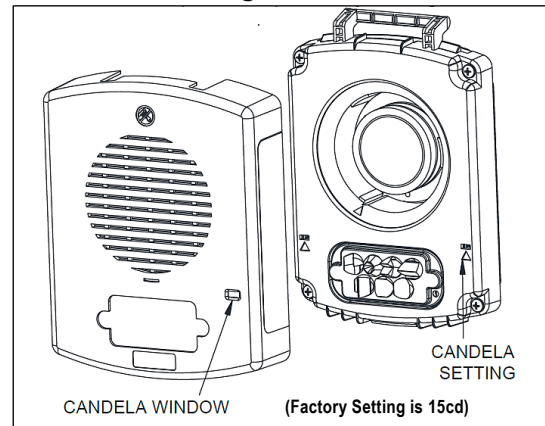
* Factory Setting

Alarm Tone Settings | Multi-tone Horn

Tone	Pattern Description	Switch (SW1)		
		POS 2	POS 3	POS 4
Horn*	Broadband Horn (Continuous)	1	1	1
Bell	1560 Hz Modulated (0.07 Sec. ON/Repeat)	1	0	1
March Time Horn	Horn (0.25 Sec. ON/0.25 Sec. OFF/Repeat)	0	0	1
Code 3 Horn	Horn (ANSI S3.41 Temporal Pattern)	1	1	0
Code 3 Tone	500 Hz (ANSI S3.41 Temporal Pattern)	0	1	1
Slow Whoop	500-1200Hz Sweep (4 sec ON/0.5 sec OFF/Repeat)	0	1	0
Siren	600-1200HZ Sweep (1.0 Sec. ON/Repeat)	1	0	0
HI/LO	1000/800 Hz (0.25 Sec. ON/Alternate)	0	0	0

* Factory setting is Horn with Switch SW1 POS 2, 3, 4 set on 1, 1, 1.

Candela Settings | Multi-tone Strobe



See Installation Instruction P85831-001A for more details.

Details for Ordering

MODEL	PART NUMBER	NEMA RATING	APPLIANCE TYPE	MOUNTING TYPE	STROBE TYPE	FACEPLATE COLOR	FACEPLATE LETTERING
SL24XMT-NW	S54329-F290-A1	4X	Multi-Tone Horn	Wall / Ceiling	None	WHITE	NO LETTERING
SL24XMT-NR	S54329-F289-A1				None	RED	NO LETTERING
SL23RMT-NW	S54329-F276-A1	3R			None	WHITE	NO LETTERING
SL23RMT-NR	S54329-F275-A1				None	RED	NO LETTERING
SL24XMTS-FW	S54329-F330-A1	4X	Multi-Tone Strobe	Wall / Ceiling	Clear	WHITE	FIRE
SL24XMTS-FR	S54329-F262-A1				Clear	RED	FIRE
SL23RMTS-FW	S54329-F297-A1	3R			Clear	WHITE	FIRE
SL23RMTS-FR	S54329-F256-A1				Clear	RED	FIRE
SL24XMTSAM-NW	S54329-F281-A1	4X	Multi-Tone Strobe	Wall / Ceiling	Amber	WHITE	NO LETTERING
SL24XMTSAM-NR	S54329-F282-A1				Amber	RED	NO LETTERING
SL23RMTSAM-NW	S54329-F267-A1	3R			Amber	WHITE	NO LETTERING
SL23RMTSAM-NR	S54329-F268-A1				Amber	RED	NO LETTERING
SL24XMTSB-NW	S54329-F283-A1	4X	Multi-Tone Strobe	Wall / Ceiling	Blue	WHITE	NO LETTERING
SL24XMTSB-NR	S54329-F284-A1				Blue	RED	NO LETTERING
SL24XMTSG-NW	S54329-F285-A1				Green	WHITE	NO LETTERING
SL24XMTSG-NR	S54329-F286-A1				Green	RED	NO LETTERING
SL24XMTSR-NW	S54329-F287-A1				Red	WHITE	NO LETTERING
SL24XMTSR-NR	S54329-F288-A1				Red	RED	NO LETTERING
SL23RMTSB-NW	S54329-F269-A1	3R	Multi-Tone Strobe	Wall / Ceiling	Blue	WHITE	NO LETTERING
SL23RMTSB-NR	S54329-F270-A1				Blue	RED	NO LETTERING
SL23RMTSG-NW	S54329-F271-A1				Green	WHITE	NO LETTERING
SL23RMTSG-NR	S54329-F272-A1				Green	RED	NO LETTERING
SL23RMTSR-NW	S54329-F273-A1				Red	WHITE	NO LETTERING
SL23RMTSR-NR	S54329-F274-A1				Red	RED	NO LETTERING

Related Hardware

Model	Part Number	Description
SL2LP-ALR	S54329-F313-A1	"ALERT" Letter Plate Red
SL2LP-ALW	S54329-F314-A1	"ALERT" Letter Plate White
SL2LP-AR	S54329-F315-A1	"AGENT" Letter Plate Red
SL2LP-AW	S54329-F316-A1	"AGENT" Letter Plate White
SL2LP-COR	S54329-F317-A1	"CO" Letter Plate Red
SL2LP-COW	S54329-F318-A1	"CO" Letter Plate White
SL2LP-EVR	S54329-F319-A1	"EVACUATION" Letter Plate Red
SL2LP-EVW	S54329-F320-A1	"EVACUATION" Letter Plate White
SL2LP-FBR	S54329-F321-A1	"FIRE" PICTOGRAM Letter Plate Red
SL2LP-FBW	S54329-F322-A1	"FIRE" PICTOGRAM Letter Plate White
SL2LP-FR	S54329-F259-A1	"FIRE" Letter Plate Red
SL2LP-FW	S54329-F323-A1	"FIRE" Letter Plate White
SL2LP-MR	S54329-F324-A1	"EMERGENCY" Letter Plate Red
SL2LP-MW	S54329-F325-A1	"EMERGENCY" Letter Plate White
SL2LP-NR	S54329-F326-A1	"NO TEXT" Letter Plate Red
SL2LP-NW	S54329-F327-A1	"NO TEXT" Letter Plate White

Note: Replacement letter plates have the text printed in horizontal orientation on one side for ceiling mount applications, and vertical orientation on the other for wall mount. Each notification appliance requires two (2x) plates, one for each side. These letter plates come in packs of twenty (20x), enough for ten (10x) notification devices.

NOTICE – The information contained in this data-sheet document is intended only as a summary, and is subject to change without notice. The product(s) described here has/have a specific instruction sheet(s) that cover various technical, limitation and liability information.

Copies of install-type, instruction sheets – as well as the *General Product Warning and Limitations* document, which also contains important data, are provided with the product. All are available from the Manufacturer.

Data contained in the aforesaid type of documentation should be consulted with a fire-safety professional before specifying or using the product.

Any further questions or assistance concerning particular problems that might arise, relative to the proper functioning of the equipment, please contact the Manufacturer.



Siemens Industry, Inc.
 Smart Infrastructure – Building Products
 2 Gatehall Drive • Parsippany, NJ 07054
 Tel: (973) 593-2600

 October – 2025
 Rev. 2