

'Notification Appliances

'SL2' Series – 8-Watt High-Fidelity Speaker | Speaker-Strobes

Applications : Indoor, Wall / Ceiling-Mount

Architect & Engineer Specifications

- Sophisticated series of notification appliances that meets fire-industry codes and regulations for commercial-building applications
- Compatible with the Siemens 50-point, 252-point and 504-point addressable fire alarm control panels (FACPs), and with:
 - Siemens Modular FACPs
 - Siemens PAD-series of NAC extenders
 - FireFinder® XLS / XLSV FACPs
 - Siemens dual-sync control (DSC) modules
- Innovative LED strobe technology provides an energy-efficient means for a significantly reduced current draw
 - Capability to have existing Xenon and new LED strobes in the same field-of-view
 - Fewer power supplies required, smaller wire gage, reduced wire runs
- Six (6) field selectable candela settings:
 - 15cd to 185cd (wall-mount)
 - 15cd to 177cd (ceiling-mount)
- Straightforward installation coupled with compact, modern design
 - No visible mounting screws
 - Manual slide-setting adjustor
 - Seven (7) field-selectable wattage tap settings
 - Wattage range from 1/8 to 8W
- Wide frequency response:
 - 300 to 8000 Hz for Sleeping Areas
- High efficiency speakers for maximum audio output at minimum power
- Faceplates ship in Five (5) distinctive types:
 - "FIRE" | "ALERT" | "EMERGENCY" | "PICTOGRAM" | "NO LETTERING"
- UL (1971 | 1480) and ULC Listed (ULC-5526 | - S541)
- FM & CSFM Approved

Product Overview

Formed as the `SL2'-Series, Siemens is offering a new version of 8-Watt high-fidelity Speakers and Speaker-Strobes to its product line of notification appliances.

The 'SL2SPW' and 'SL2SPSW'- Series Wall-Mount appliances and the 'SL2SPC' and 'SL2SPSC'- Series Ceiling-Mount appliances, offer an additional range of low and high Candela settings that makes these sophisticated notification appliances ideal for easy installation (pre-wired mounting plate) and retrofit applications.

With a vast frequency-response range (300 - 8000 Hertz), the 'SL2'-series 8-Watt high-fidelity speaker and speaker-strobes, feature leading intelligibility, with crisp, clear voice messages and tone signaling ideal for emergency communications, mass notification, voice evacuation and fire alarm.

The Strobes are available with a 'CLEAR' or 'AMBER' lens option The 'AMBER' lens are for Private Mode Emergency General Utility Signaling. These 'AMBER' lens strobe appliances, also comply with the polar distribution requirements in the UL Standard 1971 for Indoor Fire Protection Service and NFPA-72 for Mass Notification Systems.

Strobes can be synchronized using the Siemens DSC sync modules and are compatible with the Siemens 50-point, 252-point and 504-point addressable fire alarm control panels (FACPs), Siemens Modular FACPs, Siemens PAD-series of NAC extenders, FireFinder® XLS / XLSV FACPs per UL requirements.

In a single device, the `SL2'-series can provide alarm-signaling tones for dual applications. All strobe models in the 'SL2'-series feature multi-Candela settings:

- Wall-mount models are available with field-selectable settings of 15cd | 30cd | 75cd | 110cd | 135cd | 185cd
- Ceiling-mount models are available with field-selectable settings of 15cd | 30cd | 75cd | 110cd | 150cd | 177cd

The 'SL2'-series notification appliances are specific to indoor, wall-mount or ceiling-mount applications.



Model SL2SPWW-N
Speaker
Wall-mount



Model SL2SPSWR-F
Speaker-Strobe
Wall-mount



Model SL2SPSCR-N
Speaker-Strobe
Ceiling-mount



Mounting Diagrams

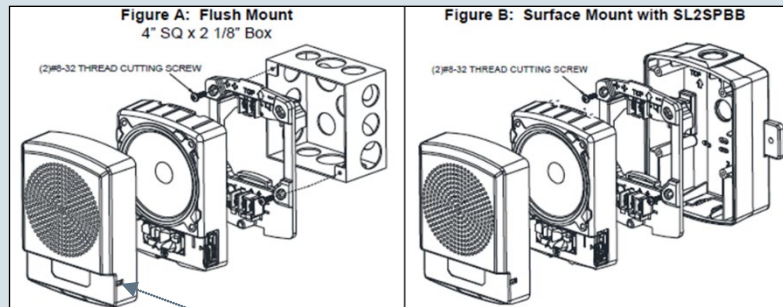
Wall-Mount Appliances

Trimplate Dimensions:

5.25 inches (13.34 cm.) [H]
 4.58 inches (11.6 cm.) [W]
 1.4 inches (3.6 cm.) [D]

Mounting Options Include:

- Model SL2SPBB backboxes or
- 4" (10.2 cm.) square boxes

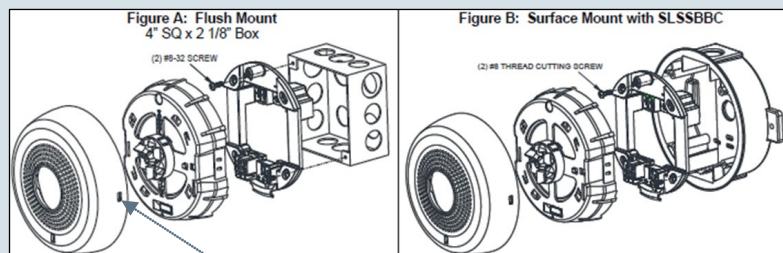


Candela Setting Adjustor

Ceiling-Mount Appliances

Mounting Options Include:

- Model SLSPBBC backboxes or
- 4" (10.2 cm.) square boxes



Candela Setting Adjustor

Specifications

In terms of composition and functionality, the 'SL2SPW' and 'SL2SPSW'-series 8-Watt high-fidelity speakers and speaker-strobes and 'SL2SPC'-series and 'SL2SPSC'-series 8-Watt high-fidelity speakers and speaker-strobes provide added value to the installer, for the types of applications for operation:

- Compact | sleek | low-profile design
- Comprehensive feature list
- Convenient mounting options
- Easy-to-adjust selection-slider switch for multi-level Candela settings
 - 15cd | 30cd | 75cd | 110cd | 135cd | 185cd (wall-mount strobes)
 - 15cd | 30cd | 75cd | 110cd | 150cd | 177cd (ceiling-mount strobes)
- Seven field-selectable wattage tap settings
- High and Low audible outputs
- Reduced current draw, via cutting-edge LED technology

The LED portions of the Siemens 'SL2'-series of speakers and speaker-strobes meet the 20-millisecond light-pulse-duration requirements of the 2016 edition of NFPA 72. By meeting this latest requirement, existing Xenon as well as the new LED-technology devices can now be in the same field-of-view. In addition to the launched product line of Siemens 'SL2'-series of speaker-strobes, Siemens also offers an existing range of products with low-and-high Candela settings that meet retrofit and new-construction applications.

The 8-Watt high-fidelity speaker and speaker-strobes have received a comprehensive feature list, including low current draw; dual-voltage (25/70 VRMS) capability; field-selectable taps from 1/8 to 8 Watts; and no tools needed for setting changes. The low-profile design incorporates a pre-wired mounting plate for faster and easier installation. Each model has a built-in level adjustment feature and a snap-on grille cover. All inputs employ IN / OUT wiring terminals for fast installation using #12 to #18 AWG wiring.

The regulatory listing (UL/ULC) also includes the capability for installing the Siemens 'SL2'-series speaker-strobes in the same notification zone and field-of-view with any existing Siemens Notification Appliance Xenon-based strobes. In addition, the Siemens 'SL2'-series product line has been UL/ULC listed as compatible with all Fire Alarm Control Panels (FACPs) and accessories that have been determined to be compatible with Siemens ST Strobe based products including the ST | SE | SEH | SET | S-HQ | STH | AS | CH | HS | MTH | SL and Z- Series notification appliances. All types of these high-fidelity speakers and speaker-strobes are UL Listed (for indoor use under Standard 1971,1480,1638), as well as ULC-S541-16 | ULC-S526-16 Listed.

Electrical Ratings

Wall-Mount | Speaker Output Ratings (UL /ULC)

Reverberant per UL1480 dBA (Watts) @ 10 feet								
Models	Setting	1/8 W	1/4 W	1/2 W	1W	2W	4W	8W
'SL2SPW' Series:	25V	74	77	80	83	85	---	---
'SL2SPSW' Series:	70V	74	77	80	83	85	88	90

Anechoic per ULC-S541 dBA (Watts) @ 3.05 meters								
Models	Setting	1/8 W	1/4 W	1/2 W	1W	2W	4W	8W
'SL2SPW' Series:	25V	75	78	80	83	86	---	---
'SL2SPSW' Series:	70V	75	77	80	83	86	88	90

Wall-Mount | Strobe Output Current Draw

Current Ratings (in Amps)** RMS Current @ 24 Volts DC							
Model	Regulated Voltage Range	15cd	30cd	75cd	110cd	135cd	185cd
'SL2SPSW' Series: ^A	16.0 – 33.0 VDC	0.022	0.030	0.060	0.086	0.125	0.185

** Setting will determine the current draw of the product.

^A RMS current ratings are per UL maximum RMS method.
UL max current rating is the maximum RMS current within the listed voltage range (16 - 33V for 24V units)

^A For audible appliances, the max current is usually at the maximum listed voltage (16 - 33V for 24V units)

^A For unfiltered FWR ratings, see Installation Instructions

Ceiling-Mount | Speaker Output Ratings (UL /ULC)

Reverberant per UL1480 dBA (Watts) @ 10 feet								
Models	Setting	1/8 W	1/4 W	1/2 W	1W	2W	4W	8W
'SL2SPC' Series:	25V	75	78	81	83	86	---	---
'SL2SPSC' Series:	70V	75	78	81	83	86	88	90

Anechoic per ULC-S541 dBA (Watts) @ 3.05 meters								
Models	Setting	1/8 W	1/4 W	1/2 W	1W	2W	4W	8W
'SL2SPC' Series:	25V	75	79	82	85	87	---	---
'SL2SPSC' Series:	70V	75	79	82	85	87	89	91

Ceiling-Mount | Strobe Output Current Draw

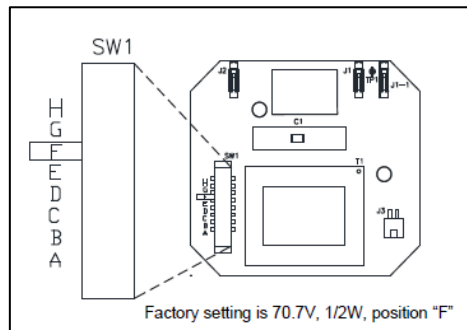
Current Ratings (in Amps)** RMS Current @ 24 Volts DC							
Model	Regulated Voltage Range	15cd	30cd	75cd	110cd	150cd	177cd
'SL2SPSC' Series: ^A	16.0 – 33.0 VDC	0.022	0.030	0.060	0.086	0.125	0.185

** Setting will determine the current draw of the product.

GENERAL NOTES:

1. Strobes are designed to flash at 1-flash-per-second minimum over their "Regulated Voltage Range".
2. NFPA-72 specifies a flash rate of 1-to-2 flashes-per-second.
3. All Candela ratings represent minimum effective Strobe intensity based on UL 1971.

Speaker Wattage Settings



Speaker Voltage & Wattage		
Position	25V	70.7V
A	2W	---
B	1W	8W
C	1/2W	4W
D	1/4W	2W
E	1/8W	1W
F	---	1/2W
G	---	1/4W
H	---	1/8W

Technical Data

GENERAL PROPERTIES (SL2-Series)	
OPERATING TEMPERATURE:	- 32°F (0°C) to 122°F (50°C) - for indoor applications only
RELATIVE HUMIDITY:	93%, maximum
OPERATING VOLTAGE RANGES:	- 25 / 70 VRMS - field-selectable power taps: 1/8 Watt to 8 Watts
STROBE OUTPUT RATING:	- UL 1638, UL1971, ULC-S526-16 - Field-selectable Candela outputs: [Wall-mount Appliances] 15cd 30cd 75cd 110cd 135cd 185cd [Ceiling-mount Appliances] 15cd 30cd 75cd 110cd 150cd 177cd
STROBE FLASH RATE:	Strobes are designed to flash at 1-flash-per-second
STROBE SYNCHRONIZATION:	- all Siemens addressable panels - Siemens PAD-series NAC extenders - Siemens dual-sync (DSC) modules, which provide the unique Siemens proprietary synchronization protocol
FREQUENCY RANGE:	- 300 Hz to 8000 Hz.

PHYSICAL PROPERTIES (SL2-Series)		
MATERIAL:	- White-or-red textured, ultraviolet (UV) stabilized, colored impregnated engineered plastic - Exceeds 94V-0 UL flammability rating	
WEIGHT:	Speaker-Strobe:	1.54 Lbs. (0.7 Kg.)
	Speaker Backbox:	0.44 Lb. (0.2 Kg.)
LENS TYPE:	LED strobe situated in a rugged Lexan lens	
DIMENSIONS:	'SL2SPW' & SL2SPSW' Series 6.35" (15.5 cm.) (H) 4.56" (11.6 cm.) (W) 1.54" (3.9 cm.) (D)	'SL2SPC' & 'SL2SPSC' Series: 6.27" (15.9 cm.) x 6.27" (15.9 cm.) x 2.29" (5.8 cm.)

MOUNTING AND WIRING PROPERTIES (SL2-Series)		
INDOOR MOUNTING:	Wall-Mount Appliances	Ceiling-Mount Appliances
	Model SL2SPBB backbox or to 4" (10.2 cm.) square box with trim plate and separately ordered mud-ring	Model SLSPBBC backbox or to 4" (10.2 cm.) square box
WIRING TYPE:	#12 – #18, American Wire Gauge (AWG)	

Details for Ordering

'SL2SPW' & 'SL2SPSW' Series Appliances

MODEL	PART NUMBER	HIGH-FIDELITY APPLIANCE TYPE	MOUNTING TYPE	STROBE TYPE	FACEPLATE COLOR	FACEPLATE LETTERING
SL2SPWR-AL	S54329-F148-A1	Speaker	WALL	- None -	RED	ALERT
SL2SPWW-AL	S54329-F151-A1		WALL	- None -	WHITE	ALERT
SL2SPWR-F	S54329-F149-A1	Speaker	WALL	- None -	RED	FIRE
SL2SPWW-F	S54329-F152-A1		WALL	- None -	WHITE	FIRE
SL2SPWR-N	S54329-F150-A1	Speaker	WALL	- None -	RED	- NO LETTERING -
SL2SPWW-N	S54329-F153-A1		WALL	- None -	WHITE	- NO LETTERING -
SL2SPSWR-ALA	S54329-F168-A1	Speaker-Strobe	WALL	Amber	RED	ALERT
SL2SPSWW-ALA	S54329-F175-A1		WALL	Amber	WHITE	ALERT
SL2SPSWR-NA	S54329-F169-A1	Speaker-Strobe	WALL	Amber	RED	- NO LETTERING -
SL2SPSWW-NA	S54329-F176-A1		WALL	Amber	WHITE	- NO LETTERING -
SL2SPSWR-AL	S54329-F170-A1	Speaker-Strobe	WALL	Clear	RED	ALERT
SL2SPSWW-AL	S54329-F177-A1		WALL	Clear	WHITE	ALERT
SL2SPSWR-M	S54329-F171-A1	Speaker-Strobe	WALL	Clear	RED	EMERGENCY
SL2SPSWW-M	S54329-F178-A1		WALL	Clear	WHITE	EMERGENCY
SL2SPSWR-F	S54329-F172-A1	Speaker-Strobe	WALL	Clear	RED	FIRE
SL2SPSWW-F	S54329-F179-A1		WALL	Clear	WHITE	FIRE
SL2SPSWR-N	S54329-F173-A1	Speaker-Strobe	WALL	Clear	RED	- NO LETTERING -
SL2SPSWW-N	S54329-F180-A1		WALL	Clear	WHITE	- NO LETTERING -
SL2SPSWR-FB	S54329-F174-A1	Speaker-Strobe	WALL	Clear	RED	PICTOGRAM
SL2SPWW-FB	S54329-F181-A1		WALL	Clear	WHITE	PICTOGRAM
SL2SPBB-W	S54329-F223-A1	Backbox	WALL	None	WHITE	- NO LETTERING -
SL2SPBB-R	S54329-F224-A1		WALL	None	RED	- NO LETTERING -

Details for Ordering

‘SL2SPC’ & ‘SL2SPSC’ Series Appliances

MODEL	PART NUMBER	HIGH-FIDELITY APPLIANCE TYPE	MOUNTING TYPE	STROBE TYPE	FACEPLATE COLOR	FACEPLATE LETTERING
SL2SPCB-F	S54329-F140-A1	Speaker	CEILING	– None –	BLACK	FIRE
SL2SPCR-AL	S54329-F141-A1	Speaker	CEILING	– None –	RED	ALERT
SL2SPCW-AL	S54329-F144-A1		CEILING	– None –	WHITE	ALERT
SL2SPCR-F	S54329-F142-A1	Speaker	CEILING	– None –	RED	FIRE
SL2SPCW-F	S54329-F146-A1		CEILING	– None –	WHITE	FIRE
SL2SPCR-N	S54329-F143-A1	Speaker	CEILING	– None –	RED	– NO LETTERING –
SL2SPCW-N	S54329-F147-A1		CEILING	– None –	WHITE	– NO LETTERING –
SL2SPCW-A	S54329-F145-A1	Speaker	CEILING	– None –	WHITE	AGENT
SL2SPSCR-ALA	S54329-F154-A1	Speaker-Strobe	CEILING	Amber	RED	ALERT
SL2SPSCW-ALA	S54329-F161-A1		CEILING	Amber	WHITE	ALERT
SL2SPSCR-NA	S54329-F155-A1	Speaker-Strobe	CEILING	Amber	RED	– NO LETTERING –
SL2SPSCW-NA	S54329-F162-A1		CEILING	Amber	WHITE	– NO LETTERING –
SL2SPSCR-A	S54329-F156-A1	Speaker-Strobe	CEILING	Clear	RED	AGENT
SL2SPSCW-A	S54329-F163-A1		CEILING	Clear	WHITE	AGENT
SL2SPSCR-AL	S54329-F157-A1	Speaker-Strobe	CEILING	Clear	RED	ALERT
SL2SPSCW-AL	S54329-F164-A1		CEILING	Clear	WHITE	ALERT
SL2SPSCR-F	S54329-F158-A1	Speaker-Strobe	CEILING	Clear	RED	FIRE
SL2SPSCW-F	S54329-F165-A1		CEILING	Clear	WHITE	FIRE
SL2SPSCR-N	S54329-F159-A1	Speaker-Strobe	CEILING	Clear	RED	– NO LETTERING –
SL2SPSCW-N	S54329-F166-A1		CEILING	Clear	WHITE	– NO LETTERING –
SL2SPSCR-FB	S54329-F160-A1	Speaker-Strobe	CEILING	Clear	RED	PICTOGRAM
SL2SPSCW-FB	S54329-F167-A1		CEILING	Clear	WHITE	PICTOGRAM
SLSPBCCR	S54329-F55-A1	Backbox	CEILING	None	RED	– NO LETTERING –
SLSPBBCW	S54329-F55-A2		CEILING	None	WHITE	– NO LETTERING –

NOTICE – The information contained in this data-sheet document is intended only as a summary, and is subject to change without notice. The product(s) described here has/have a specific instruction sheet(s) that cover various technical, limitation and liability information.

Copies of install-type, instruction sheets – as well as the *General Product Warning and Limitations* document, which also contains important data, are provided with the product. All are available from the Manufacturer.

Data contained in the aforesaid type of documentation should be consulted with a fire-safety professional before specifying or using the product.

Any further questions or assistance concerning particular problems that might arise, relative to the proper functioning of the equipment, please contact the Manufacturer.

SIEMENS

Siemens Industry, Inc.
Smart Infrastructure - Building Products
2 Gatehall Drive • Parsippany, NJ 07054
Tel: (973) 593-2600

August - 2025
(Rev 4)