

# KIDDE™

## COMMERCIAL

FIRE ALARM SYSTEMS.  
POWERED BY PARTNERSHIP.®

## GENESIS LED STROBE EXPANDER G4SE SERIES



Shown: G4SE Strobe Expander  
with Genesis LED G4S Series

### OVERVIEW

KIDDE's Genesis LED G4SE Strobe Expander offers both Mass Notification/Emergency Communication (MNEC) and Life Safety System notification capabilities without all the wall clutter of separate, or larger appliances. The G4SE offers ultra-low current consumption to reduce power requirements. The G4SE Strobe Expander accomplishes this by providing a separate, independently controlled strobe that fits readily behind a Genesis LED EG4S Series speaker or speaker-strobe or Genesis LED EG4 Series horn, strobe, or horn-strobe.

This attractive low-profile design allows a single, compact assembly to house three vital notification elements: a clear candela strobe that serves life safety requirements; a colored candela strobe that serves MNEC needs; and, a highly intelligible multi-tap, multi-purpose loudspeaker or temporal 3 horn.

The UL Listed Genesis LED G4SE Strobe Expander offers many of the advanced features found in the popular Genesis LED line of notification appliances, including ultra-low current draw. G4SE Strobe Expanders are 100 percent compatible with legacy Genesis appliances on the same circuit.

The G4SE packs two independent strobes and a loudspeaker or horn into one sleek, low-profile design that is actually slimmer than many other single-strobe units on the market today. Functionally and aesthetically, the G4SE Strobe Expander continues the Genesis LED tradition of excellence, quality and value.

### STANDARD FEATURES

#### Sleek design

Design allows the installation of two independent strobes and a speaker or horn in a single compact footprint

#### Fewer parts to stock

Uses standard Genesis LED EG4S speaker-strobes and EG4 horn-strobes

#### Field-visible settings

Settings remain visible even after the unit is installed

#### Meets UL synchronization requirements

Compatible with legacy Genesis appliances on the same circuit

#### Ultra-low current

Allows the maximum number of strobes on a circuit

#### No extension ring or trim plate needed

Fits standard 4-inch-square electrical boxes with plenty of room behind for wiring

#### Available in 4 colors for flexible Mass Notification needs

Amber, Red, Green and Blue lens options

## APPLICATION

The Genesis LED G4SE is ideal for new and retrofit applications where both fire alarm and mass notification signaling is required. By allowing a speaker and two independent strobes to be installed in a single compact footprint, the G4SE cuts down on wall clutter and reduces the number of boxes that have to be installed. This not only speeds installation and reduces costs – it also makes for a neat installation that minimizes the impact on the interior design of the protected space.

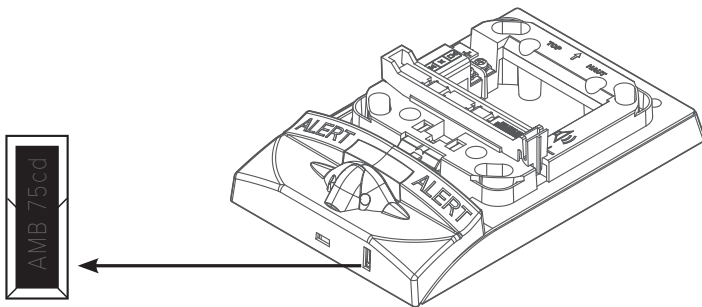
The Genesis LED G4SE strobe expanders are available in 4 fixed lens color options: amber, red, green and blue.

The G4SE comes in both white and red housing options with "ALERT" or no marking available. Prevailing codes require strobes to be used where ambient noise conditions exceed specified levels, where occupants use hearing protection, and in areas of public accommodation. Consult your Authority Having Jurisdiction for details.

All Genesis LED strobes, including the G4SE, exceed UL synchronization requirements (within 10 milliseconds over a two-hour period) when used with a compatible synchronization source. The Genesis LED G4SE also has a 20ms pulse width, allowing it to be used on the same loop and in the same line of sight as the xenon Genesis strobes.

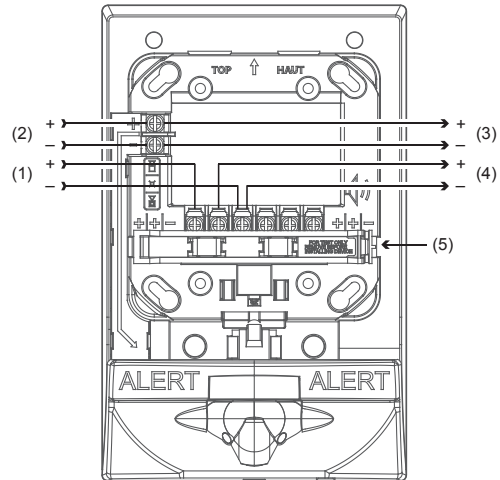
## FIELD CONFIGURATION

Genesis G4E Strobe Expanders' output setting and lens color are visible through a small window on the bottom of the device.



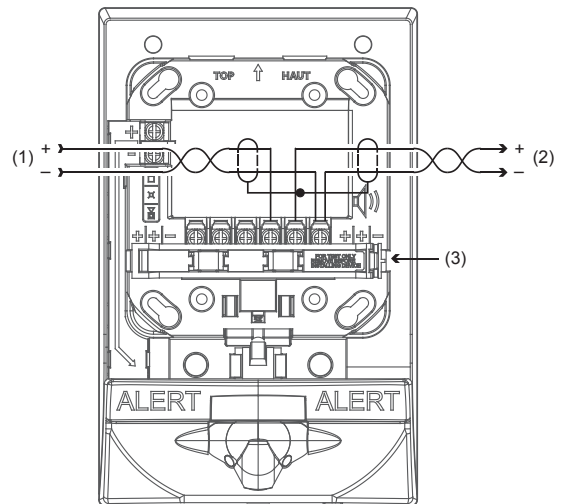
## WIRING

### G4SE Strobe Circuit Wiring



- (1) Notification appliance strobe circuit in (signal polarity shown in the active condition)
- (2) Expander strobe circuit in (signal polarity shown in the active condition)
- (3) Expander strobe circuit out
- (4) Notification appliance strobe circuit out
- (5) Shorting clip

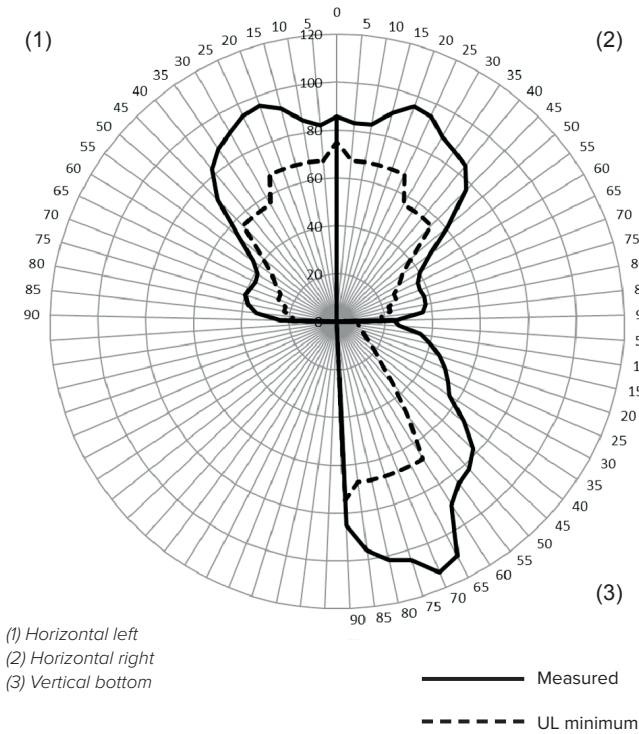
### G4SE Speaker Circuit Wiring



- (1) Speaker circuit in (shields, if used, must be continuous and free from earth ground except at the signal source)
- (2) Speaker circuit out
- (3) Shorting clip

## LIGHT OUTPUT

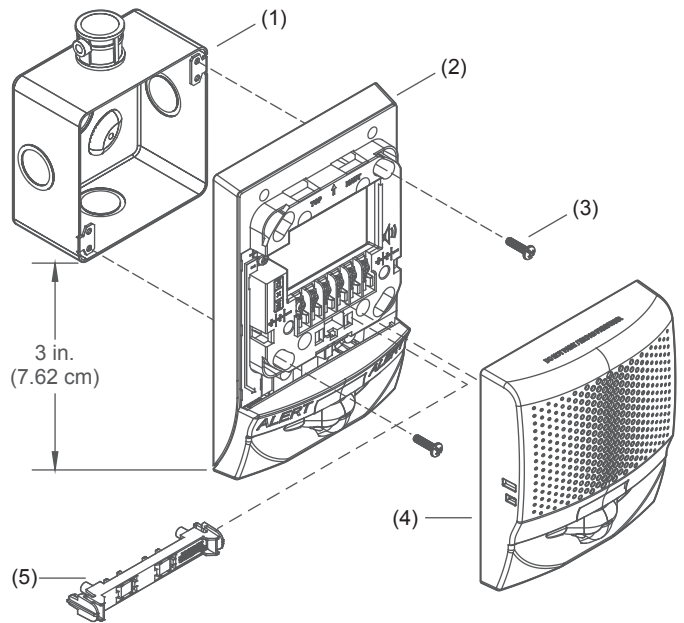
75cd Light Distribution



Operation Current	Rating
16–33 VDC	28 mA
16–33 VFWR	36mA
Light Output	Rating
Amber lens (-A models)	75 cd
Green lens (-G models)	65 cd
Blue lens (-B models)	30 cd
Red lens (-R models)	15 cd

## INSTALLATION AND MOUNTING

Genesis LED G4SE Expanders are intended for indoor wall mounted applications only. The typical installation to an electrical box is shown below. It is recommended to mount the electrical box at 83" AFF to ensure the strobe is at the correct height.



- (1) Electrical box
- (2) Strobe expander
- (3) Sheet metal screws (2X, supplied with electrical box)
- (4) Notification appliance
- (5) Shorting clip

## SPECIFICATIONS

Installation type	Indoor, dry
Strobe flash rate	1 fps (flash per second) approx.
Dimensions	8.0" h x 5.12" w x 2.33" d (20.32 cm h x 13.0 cm w x 5.92 cm d)
Mounting (indoor wall-mount only)	Flush: North-American 4" square box, at least 1/2" (38 mm) deep.
Wire Size	12 to 18 AWG (0.75 to 2.50 mm <sup>2</sup> )
Operating environment	32-120° F (0-49° C) ambient temperature; 0-93% relative humidity.
Operating Voltage	16 to 33 VDC, 16 to 33 VFWR
Strobe-to-box center offset	3.9 in. (9.9 cm)
Compatible electrical boxes	4-inch square, 2 1/8" deep
Synchronization	20 Ω max. between any two devices. To determine allowed wire resistance, refer to these specifications, and the specifications for the synchronized signal source.
Synchronization Sources	KIDDE CC Series Signal Modules, Booster and Auxiliary Power Supplies, Intelligent and Conventional Control Panels
Storage Temperature	-40 to 158 F (-40 to 70 C)

FIRE ALARM SYSTEMS.  
POWERED BY PARTNERSHIP.\*

## CONTACT US

Phone: 888.244.9979 (Option 4)  
Email: [kidde.fire@kgsolutions.com](mailto:kidde.fire@kgsolutions.com)  
Website: [kidde-esfire.com](http://kidde-esfire.com)

8985 Town Center Pkwy,  
Bradenton, FL 34202

©2025 Walter Kidde Portable Equipment, LLC  
All rights reserved.

\*Kidde Commercial and its authorized resellers/  
distributors are separate and independent entities.  
This relationship between vendor and reseller/  
distributor does not constitute a legal partnership  
or create any shared liability between companies.

## ORDERING INFORMATION

Model	Marking	Description
G4SEWA-A	Alert	White Strobe Expander, White, ALERT Marking, Amber Lens
G4SERA-A	Alert	White Strobe Expander, Red, ALERT Marking, Amber Lens
G4SEWA-R	Alert	White Strobe Expander, White, ALERT Marking, Red Lens
G4SEWA-B	Alert	White Strobe Expander, White, ALERT Marking, Blue Lens
G4SEWA-G	Alert	White Strobe Expander, White, ALERT Marking, Green Lens
G4SEWN-A	None	White Strobe Expander, White, No Marking, Amber Lens
G4SEWF-R	None	White Strobe Expander, White, No Marking, Red Lens
G4SEWN-B	None	White Strobe Expander, White, No Marking, Blue Lens
G4SEWN-G	None	White Strobe Expander, White, No Marking, Green Lens

