

Description

Edwards 125 Class Strobes are UL and cUL listed signaling appliances rated for NEMA 4X applications. There are two versions of strobes available: Normal Light Output and High Light Output. Both types can be either surface or conduit mounted. A protective wire guard, Cat. No. 125GRD, is also available.

Electrical Specifications

GRAY BASE		BLACK BASE	
Catalog Number	Catalog Number	Voltage	Current
High Output Strobe - 300,000 Peak Candlepower			
125STRH*120A	125STRH*120AB	120V AC 50/60 Hz	0.120A
Maximum capacitor operating temperature (Tc) is 185°F (85°C).			
Normal Output Strobe- 175,000 Peak Candlepower			
125STRN*1248D	125STRN*1248DB	12 - 48V DC	0.350A
125STRN*120A	125STRN*120AB	120V AC 50/60 Hz	0.100A
125STRN*240A	125STRN*240AB	240V AC 50/60 Hz	0.050A
*Letter in this position designates lens color: A - amber, B - blue, C - clear, G - green, or R - red			

Mechanical Specifications

Outdoor Locations
 Temperature Ratings -31F to +150F (-35C to +66C)

Installation



WARNING

To prevent electrical shock, ensure that power is turned off before installing the

Conduit Mounting (Figure 1)

1. Thread the 12" (45.7 cm) signal wire leads through 1/2" (13mm) conduit into an approved conduit outlet box.
2. Thread the conduit onto the base of the signal.
3. Using wire nuts (not supplied), connect the signal's wire leads as shown in Figure 1. Polarity must be observed for DC models. For AC models, polarity is not important.

Panel Mounting (Figure 2)

Note: When panel mounting the beacon, the surface and construction details of the panel must be taken into consideration in order to ensure that the integrity of the outdoor, NEMA 4X rating is fully maintained. Installer should evaluate.

1. Place the mounting gasket (supplied) over the hole in the panel and route the signal wires through the gasket and the hole in the panel.
2. Insert the base through the hole in the panel and screw the locking nut (supplied), with the raised locking edge facing the mounting surface, onto the base to secure the beacon.
3. Using wire nuts (not supplied), connect the signal's wire leads as shown in Figure 2. Polarity must be observed.

Maintenance



WARNINGS

To prevent electrical shock, ensure power is turned off before installation or maintenance.

To avoid risk of injury, install lens before energizing.

Cleaning

To maintain optimum light visibility, the exterior lens surfaces should be periodically cleaned with a soft clean cloth using water and a mild detergent. Disconnect power before cleaning.

Strobe Tube Replacement

1. **Conduit Mounted Modules:** Disconnect wiring and, if necessary, unscrew base from conduit (Figure 1).

Panel Mounted Modules: Disconnect wiring and remove locking nut that secures the base to the panel (Figure 2).

2. Remove screws that secure the lens to the base from bottom of base and remove lens.

CAUTION: Do not touch strobe tube while hot.

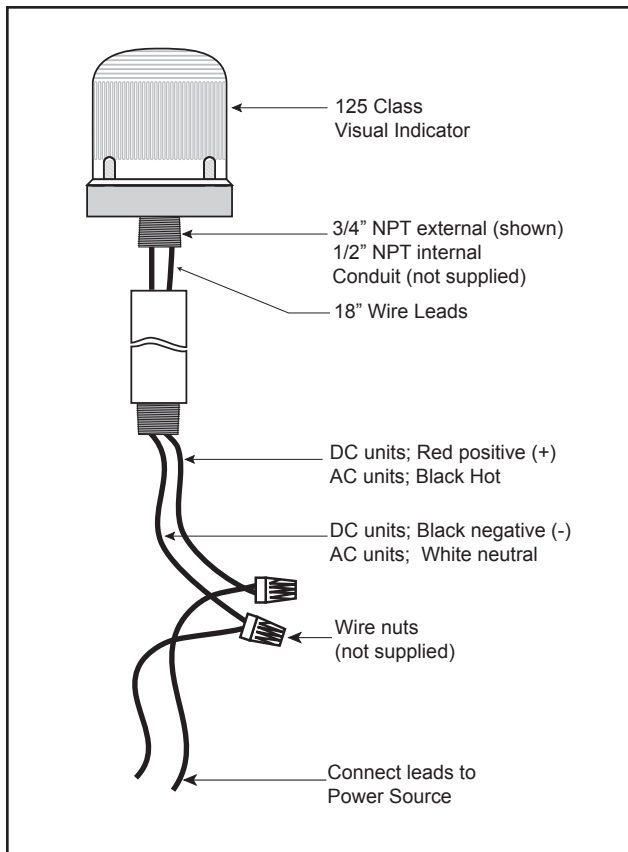


Figure 1. Conduit Mounting (3/4" Shown)

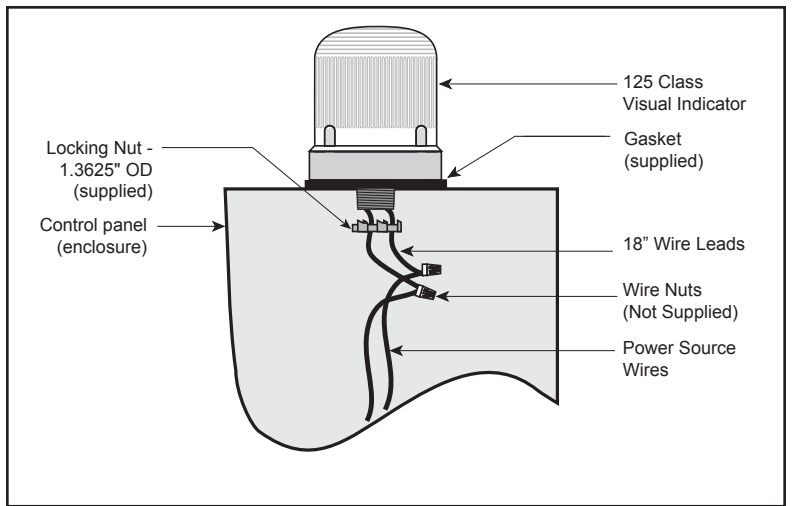


Figure 2. Panel Mounting

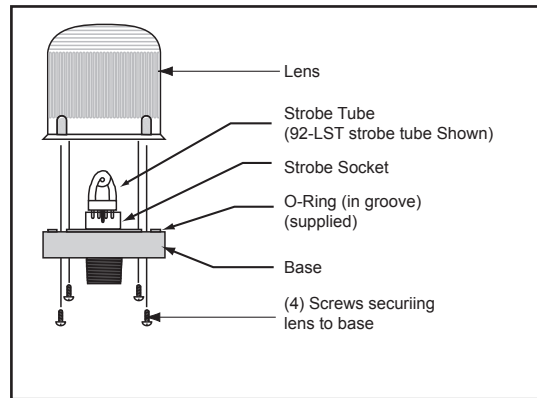


Figure 3. Strobe Tube Replacement

Table 1. Replacement Parts

GRAY BASE	BLACK BASE		
Catalog Number	Catalog Number	Replacement Lens	Replacement Strobe Tube
High Output Strobe			
125STRH*120A	125STRH*120AB	125L*	91B-ST
Normal Output Strobe			
125STRN*1248D	125STRN*1248DB	125L*	114-ST
125STRN*120A	125STRN*120AB		91B-ST
125STRN*240A	125STRN*240AB		91B-ST
*Letter in this position indicates lens color: A - Amber, B - Blue, C - Clear, G - Green, R - Red.			