

Electronic Audible Signals

Multi-Tone Signal – Four Input, Four Output

Millennium Class



The Millennium Class are heavy-duty industrial, tone-selectable, audible signaling devices capable of producing volume-controlled, high-decibel tones. In addition, the 5531MV Series can produce up to 20 seconds of field recorded voice messages.

Features and Specifications

- User selectable 55 tone capability - No additional tone modules needed
- Output up to 120dB @ 1m (110dB @ 10ft.) (**5531M and 5531MV**)
- Output up to 123dB @ 1m (113dB @ 10ft.) (**5531MHV**)
- Suitable for Division 2 Locations
- Built-in cascading priority system
- Captive components
- Speaker can be rotated and locked in any horizontal direction
- NEMA Type 3R and IP44 rated
- UL listed for Class 1, Div. 2, Groups A, B, C and D; Class II, Div. 2, Groups F and G; Class III hazardous locations

Ordering Information					
Description	Cat. No.	Operating Voltage ¹	Input Activation Voltage	Signal Off Standby Current (Amps)	Signal On Operating Current (Amps)
Four Outputs, 15 Watt	5531M-24AQ	24V DC	24V DC	0.10 A	0.74 A
		24V AC	24V DC	0.10 A	1.3 A
	5531M-24N5	120V AC	24V DC	0.10 A	0.36 A
		5531M-120N5	120V AC	120V AC	0.10 A
	5531M-24Y6	120-240V AC	24V DC	0.10 A	0.32-0.20 A
		125-250V DC	24V DC	0.10-0.02 A	0.21-0.10 A
5531M-120Y6	120-240V AC	120V AC	0.10 A	0.32-0.20 A	
	125-250V DC	120V AC	0.10-0.02 A	0.21-0.10 A	
Four Outputs, 30 Watt	5531MHV-24AQ	24V DC	24V DC	0.10 A	1.5 A
		24V AC	24V DC	0.10 A	2.3 A
	5531MHV-24Y6	120-240V AC	24V DC	0.10 A	0.62-0.34 A
		125-150V DC	24V DC	0.10-0.02 A	0.40-0.19 A
5531MHV-120Y6	120-240V AC	120V AC	0.10 A	0.62-0.34 A	
	125-150V DC	120V AC	0.10-0.02 A	0.40-0.19 A	
Field Recordable Device Model	5531MV-24N5	120V AC	24V DC	0.10 A	0.38 A
		5531MV-120N5	120V AC	120V AC	0.10 A
	5531MV-24Y6	125-250V DC	24V DC	0.10-0.02 A	0.21-0.10 A
120-240V DC		24V DC	0.10 A	0.32-0.20 A	

¹AC voltage frequency is 50/60 Hz.



Electronic Audible Signals

Multi-Tone Signal – Four Input, Four Output

Millennium Class

Signal Input Load Characteristics

These devices may be operated by PLCs with output characteristics that match the input load requirements of the signal.

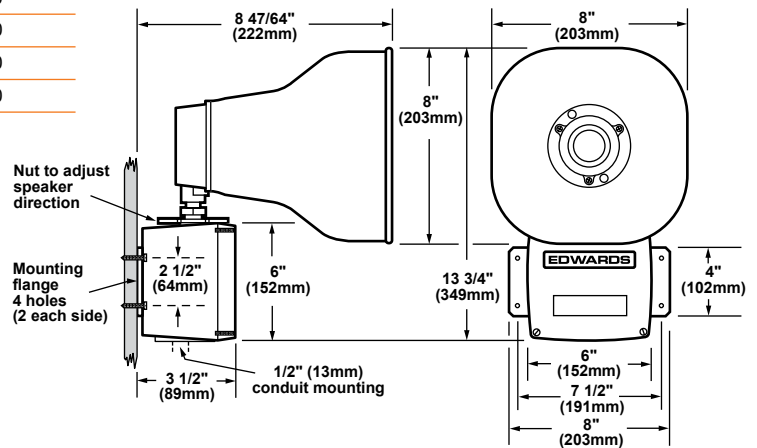
Cat. No.	Operating Voltage ¹	Max. Off State Leakage Current (A)	Continuous On Current (A)	Surge (Inrush/Duration) Amps/Milliseconds
5531M-24AQ	24V DC only	0.002	0.740	8/4
5531M-24N5	120V AC	0.002	0.360	2.82/4
5531M-120N5	120V AC	0.005	0.380	2.82/4
5531MHV-24AQ	24V DC only	0.002	1.5	8/4
5531MV-24N5	120V AC	0.002	0.360	2.82/4
5531MV-120N5	120V AC	0.005	0.380	2.82/4

¹AC voltage frequency is 50/60 Hz.

Weights and Dimensions

Cat. No.	Approx. Net Weight (lb.)	Approx. Shipping Weight (lb.)
5531M-24AQ	10.60	13.20
5531M-24N5	10.60	13.20
5531M-120N5	10.60	13.20
5531M-24Y6	10.60	13.20
5531M-120Y6	10.60	13.20
5531MHV-24AQ	10.60	13.20
5531MHV-24Y6	10.60	13.20
5531MHV-120Y6	10.60	13.20
5531MV-24N5	10.60	13.20
5531MV-120N5	10.60	13.20
5531MV-24Y6	10.60	13.20

5531M and 5531MV Series



5531MHV Series

