

Speaker/Amp

Remote Speaker Amplifier

Millennium Class



Millennium Class System Speaker Amplifiers have been designed for high decibel system operation when connected to the 5540M Central Tone Generator or 5541M System Master Panel.

Features and Specifications

- Output up to 120dB @ 1m (110dB @ 10ft.) **(5532M)**
- Output up to 123dB @ 1m (113dB @ 10ft.) **(5532MHV)**
- Corrosion resistant electrostatic heat flowed epoxy finish
- Individual volume control
- Suitable for Division 2 Locations
- Captive Components
- RS485 model available
- 24V DC battery backup terminals
- NEMA Type 3R and IP44 rated
- UL listed for Class 1, Div. 2, Groups A, B,C and D; Class II, Div. 2, Groups F and G; and Class III hazardous locations

Ordering Information

Description	Cat. No.	Operating Voltage ¹	Signal Off Standby Current (Amps)	Signal On Operating Current (Amps)
High Decibel	5532M-AQ	24V DC	0.10 A	0.7 A
		24V AC	0.10 A	1.3 A
	5532M-N5	120V AC	0.10 A	0.36 A
		5532M-Y6	120-240V AC 125-250V DC	0.10 A 0.10-0.02 A
High Decibel, 30 Watt	5532MHV-AQ	24V DC	0.10 A	1.5 A
		24V AC	0.10 A	2.3 A
	5532MHV-Y6	120-240V AC 125-250V DC	0.10 A 0.10 A	0.56-0.34 A 0.39-0.19 A

¹AC voltage frequency is 50/60 Hz.



Speaker/Amp

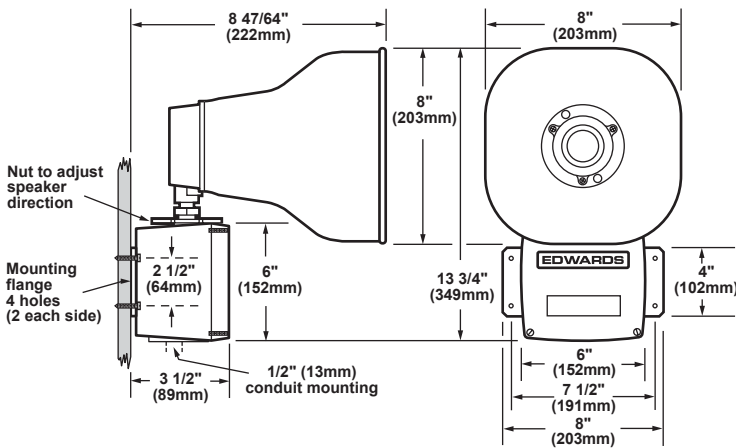
Remote Speaker Amplifier

Millennium Class

Weights and Dimensions

Cat. No.	Approx. Net Weight (lb.)	Approx. Shipping Weight (lb.)
5532M-AQ	10.60	13.20
5532M-N5	10.60	13.20
5532M-Y6	10.60	13.20
5532MHV-AQ	10.60	13.20
5532MHV-Y6	10.60	13.20

5532M Series



5532MHV Series

