

Talentum® Weather Shield (Ex d) [SS] 07279-00

To complement your Talentum installation, we also offer a comprehensive range of accessories and tools for your specialist application.

The Weather Shield (Ex d) [SS] is intended to be mounted in between a flameproof (Ex d) flame detector and adjustable mounting bracket, to prevent obscuration by particles, the rain and glare from the sun.



FEATURES

- Stainless steel (304)
- Protection from rain, sun, snow, dust and heat
- Mounts on adjustable bracket 07127

TALENTUM FIRE DETECTORS

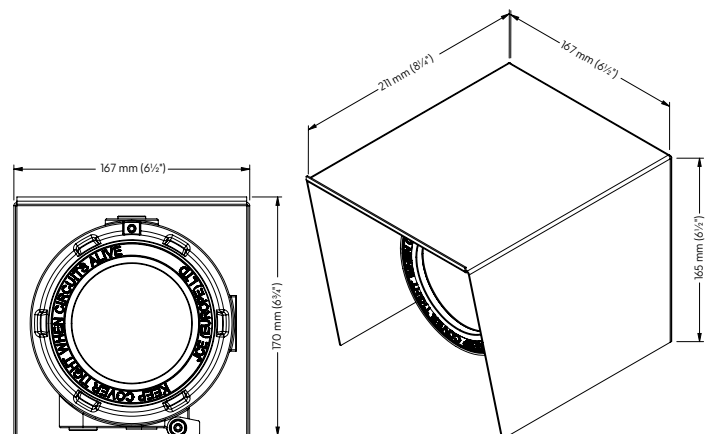
16581	Flame Detector IR2
16571	Flame Detector IR2 (I.S.)
16511	Flame Detector IR2 (Ex d)
16591	Flame Detector UV/IR2
16589	Flame Detector IR3
16579	Flame Detector IR3 (I.S.)
16519	Flame Detector IR3 (Ex d)

ACCESSORIES

07127-00	Adjustable Mounting Bracket
12545-00	Weather Shield [SS]
07279-00	Weather Shield (Ex d) [SS]
12556-00	Air Purge Adapter
12555-00	Air Purge Adapter (Ex d)
1800-101	Talentum Test Torch

DIMENSIONS

- Length: 211 mm (8¼")
- Width: 167 mm (6½")
- Height: 165 mm (6½")



Specifications and wiring information are provided for information only and are believed to be accurate. FFE Ltd assumes no responsibility for their use. Data and design are subject to change without notice. Installation and wiring instructions are shipped with the products and should always be used for actual installation. For more information, contact your Sales Representative. Document Part No: 24-0076-04

